



US00D702875S

(12) **United States Design Patent**
Klus

(10) **Patent No.:** **US D702,875 S**
(45) **Date of Patent:** **** Apr. 15, 2014**

(54) **GLASS PANEL BRACKET AND HOUSING FOR LED BASED LIGHTING APPARATUS**

(71) Applicant: **Sylwester Klus**, Kamionka (PL)

(72) Inventor: **Sylwester Klus**, Kamionka (PL)

(**) Term: **14 Years**

(21) Appl. No.: **29/466,639**

(22) Filed: **Sep. 10, 2013**

(51) **LOC (10) Cl.** **26-99**

(52) **U.S. Cl.**
USPC **D26/138; D25/122**

(58) **Field of Classification Search**
USPC D26/24, 26, 39, 42, 67, 68, 72, 74, 75, D26/79, 85, 88, 89, 91, 96, 108, 109, 113, D26/118, 120, 122, 129, 138, 140, 141, D26/142; D13/179, 180; D25/42, 43, 44, D25/60, 119, 122, 124, 125, 126, 138, 139, D25/151, 152, 157, 164; 174/68.3, 101; 362/23.07, 23.09, 23.16, 145, 217.01, 362/217.02, 255, 257, 270, 277, 317, 362, 362/555, 611, 612, 614, 800

See application file for complete search history.

(56) **References Cited**

U.S. PATENT DOCUMENTS

1,941,079	A *	12/1933	Exelmans	D26/118
2,024,192	A *	12/1935	Verhagen	D25/122
D98,067	S *	1/1936	Hendrickson	D25/122
3,302,350	A *	2/1967	Brown et al.	174/101
D293,098	S *	12/1987	Layton	D13/155
4,712,331	A *	12/1987	Fujiwara	49/489.1
D299,966	S *	2/1989	Litchfield et al.	D25/124
D314,438	S *	2/1991	Meyers	D25/125
5,570,548	A *	11/1996	Hopper	52/204.5
D424,213	S *	5/2000	Chaney et al.	D25/122
6,302,560	B1 *	10/2001	Lai	362/145

6,361,186	B1 *	3/2002	Slayden	362/800
6,561,690	B2 *	5/2003	Balestriero et al.	362/555
D478,677	S *	8/2003	France	D25/122
D501,564	S *	2/2005	Kuramochi	D25/122
D503,484	S *	3/2005	Deleu	D25/122
D509,594	S *	9/2005	Curtas et al.	D25/126
D574,509	S *	8/2008	Koch	D25/38.1
D595,984	S *	7/2009	Kollman et al.	D25/119
D611,169	S *	3/2010	Harder	D25/122
D616,567	S *	5/2010	Desrosiers et al.	D25/60
D631,171	S *	1/2011	Konrad	D25/124
D649,683	S *	11/2011	Trzesniowski	D26/138
D652,985	S *	1/2012	Trzesniowski	D26/138
D666,321	S *	8/2012	Morton	D25/119
D666,328	S *	8/2012	Morton	D25/122
D666,329	S *	8/2012	Morton	D25/122
2004/0231255	A1 *	11/2004	Silverman	52/204.6

* cited by examiner

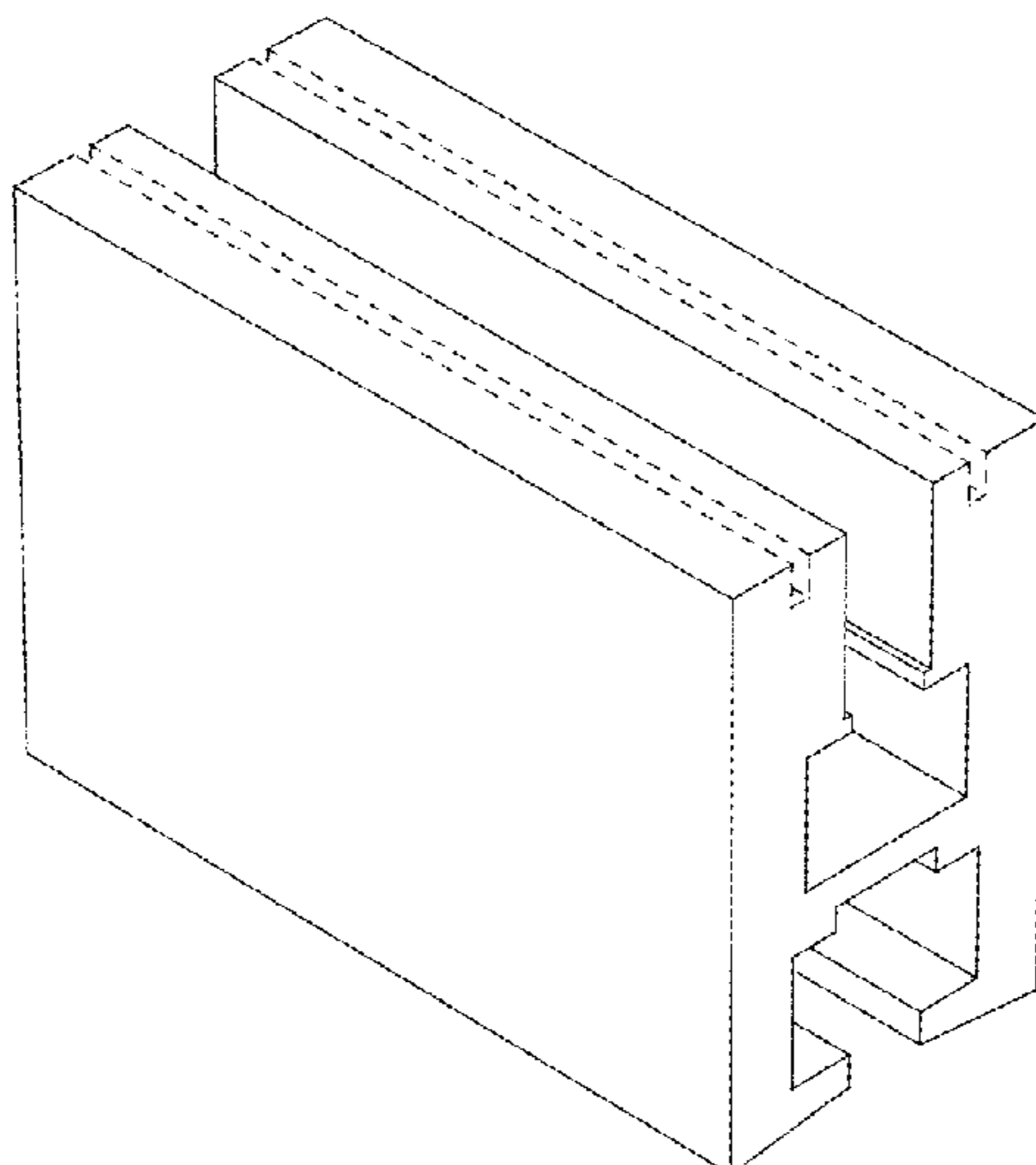
Primary Examiner — Deanna L Pratt
Assistant Examiner — Natasha Vujcic
(74) *Attorney, Agent, or Firm* — Mark Terry

(57) **CLAIM**
The ornamental design for a glass panel bracket and housing for an LED based lighting apparatus, as shown and described.

DESCRIPTION

FIG. 1 is a top perspective view of a glass panel bracket and housing for an LED based lighting apparatus, showing the new design;
FIG. 2 is a bottom perspective view thereof;
FIG. 3 is a front view thereof;
FIG. 4 is a side view thereof;
FIG. 5 is a top view thereof; and,
FIG. 6 is a bottom view thereof.
The broken lines in the drawings illustrate portions of the glass panel bracket and housing for LED based lighting apparatus which form no part of the claimed design.

1 Claim, 4 Drawing Sheets



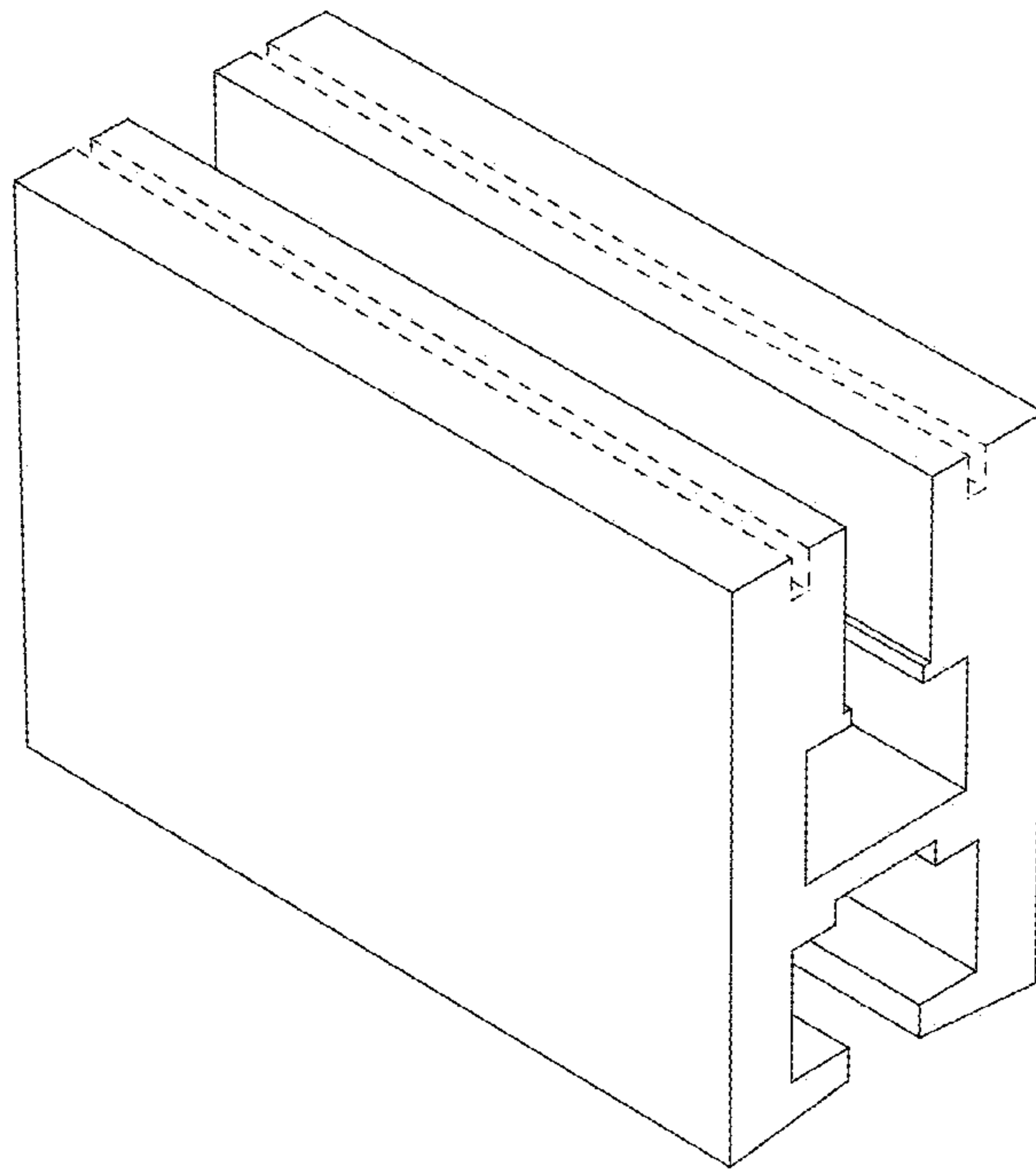


FIG.1

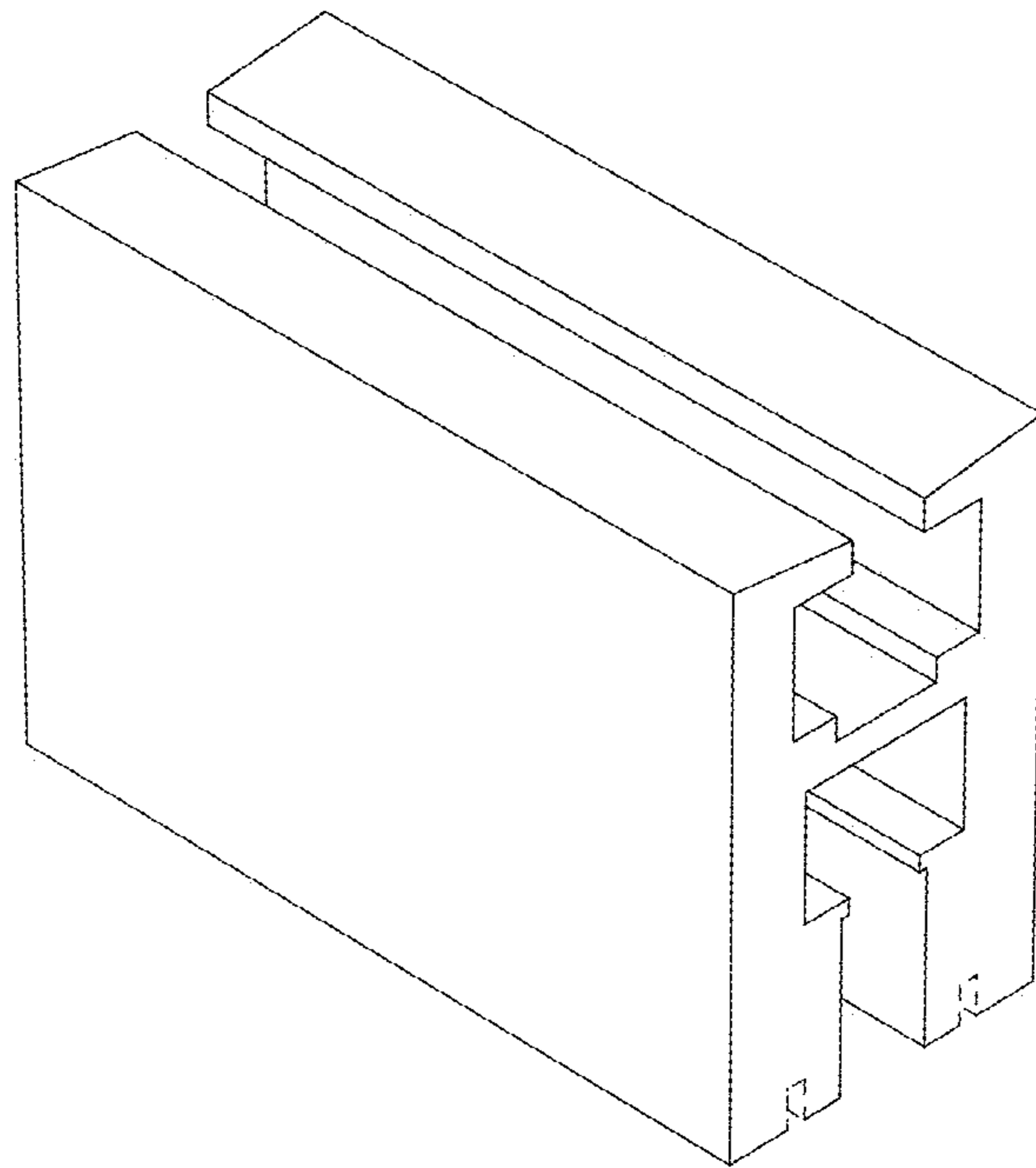


FIG.2

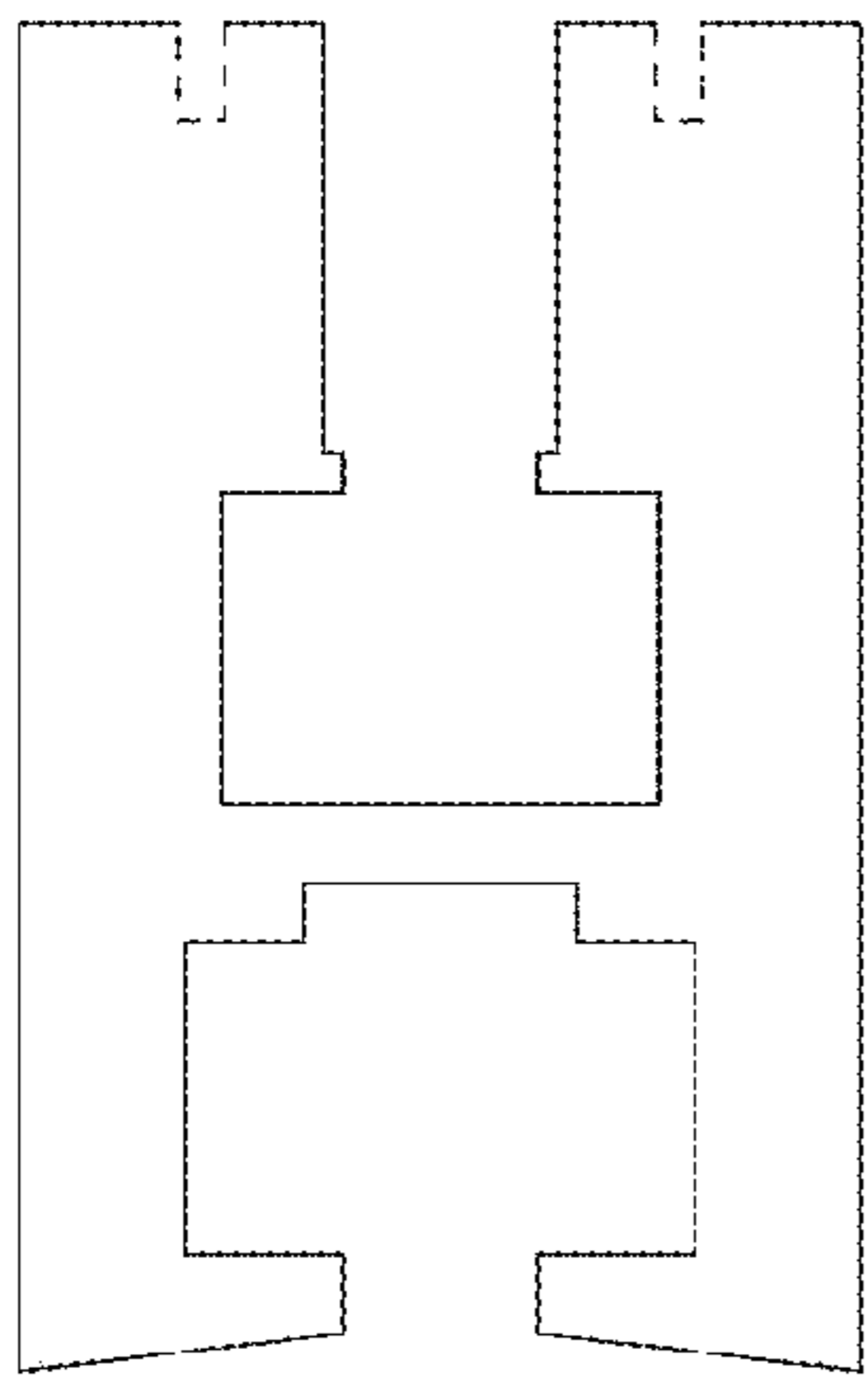


FIG.3



FIG.4

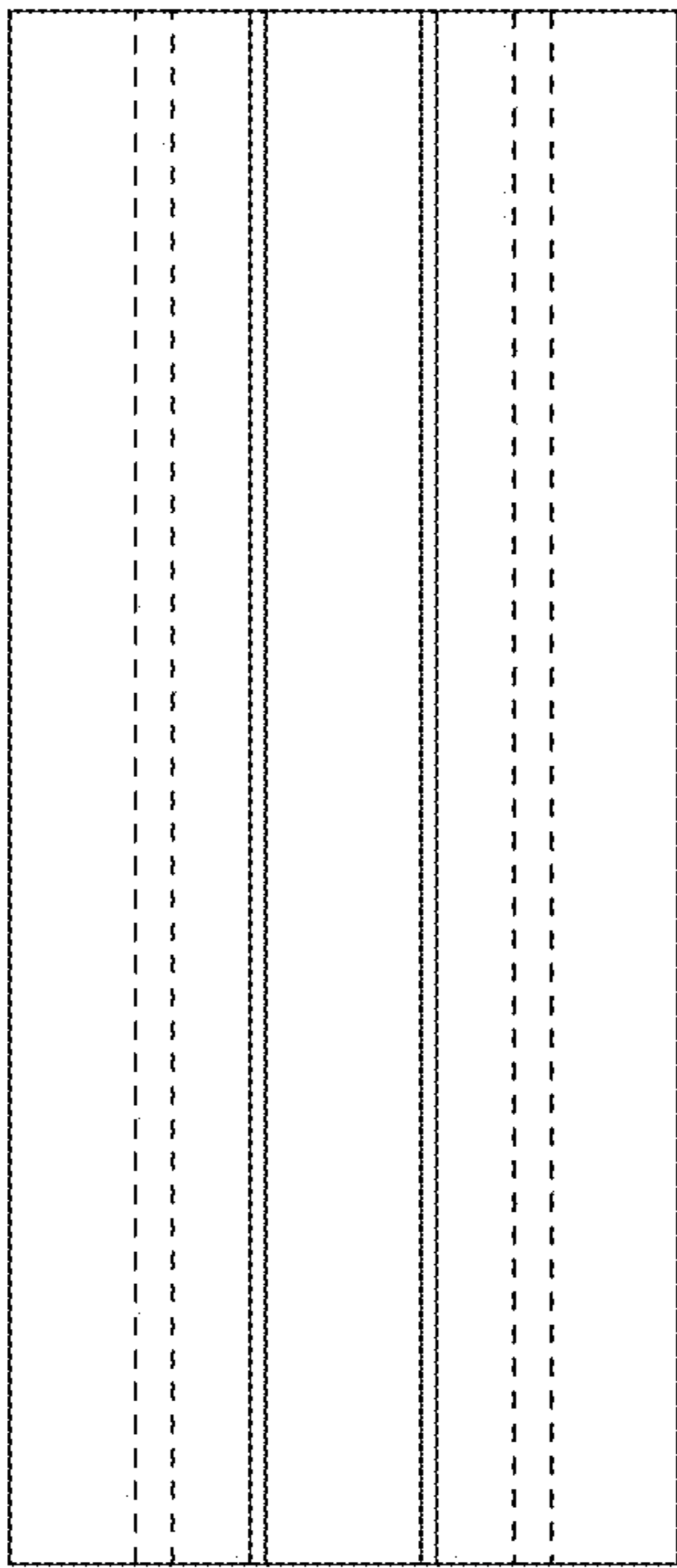


FIG. 5

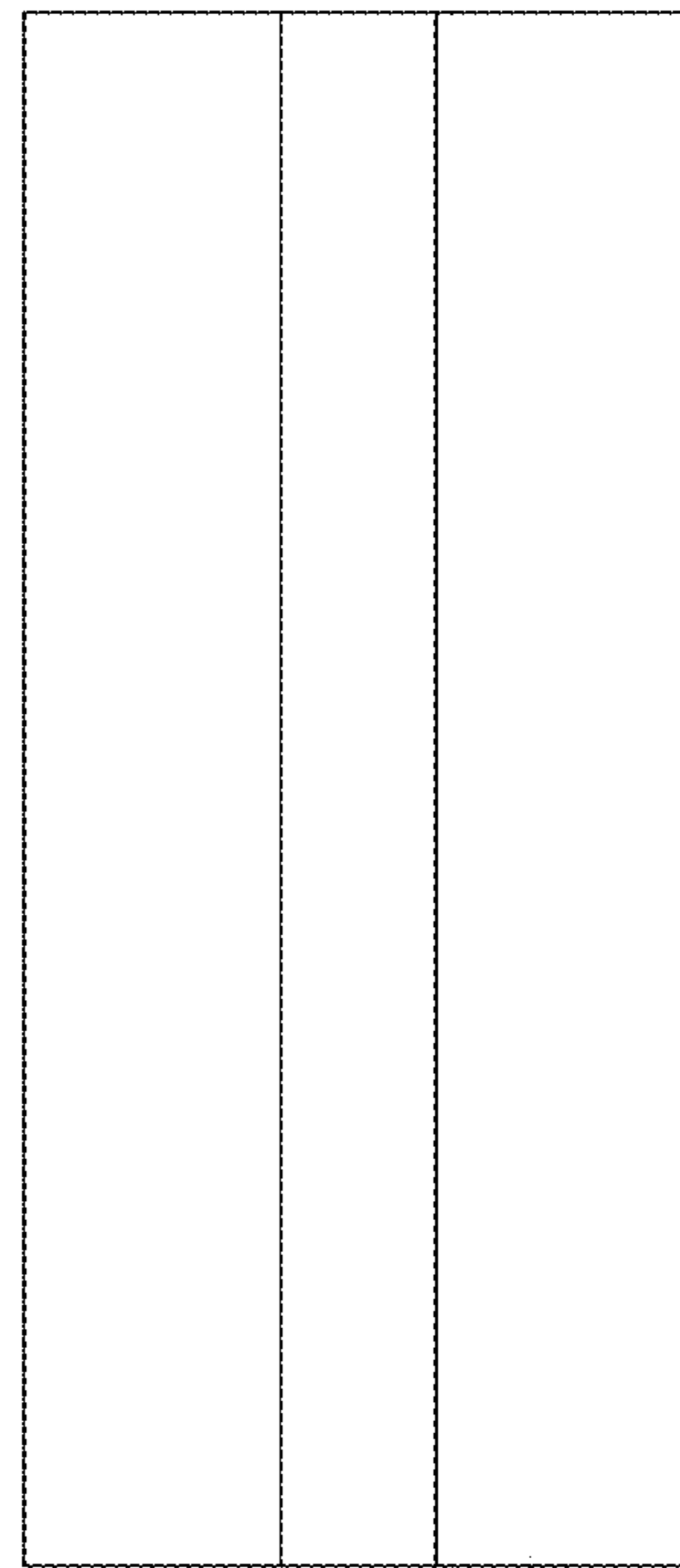


FIG. 6