



US00D702874S

(12) **United States Design Patent**
Cienfuegos

(10) **Patent No.:** **US D702,874 S**

(45) **Date of Patent:** **** Apr. 15, 2014**

(54) **CROSS BOTTOMED MAGNETIC LIGHT SOURCE ATTACHMENT**

(71) Applicant: **Juan Enrique Cienfuegos**, San Antonio, TX (US)

(72) Inventor: **Juan Enrique Cienfuegos**, San Antonio, TX (US)

(73) Assignee: **Southwest Synergistic Solutions**, San Antonio, TX (US)

(**) Term: **14 Years**

(21) Appl. No.: **29/436,026**

(22) Filed: **Oct. 31, 2012**

(51) **LOC (10) Cl.** **26-99**

(52) **U.S. Cl.**
USPC **D26/138**

(58) **Field of Classification Search**
USPC D26/25, 26, 28, 31, 35, 36, 37, 41, 42, D26/50, 51, 52, 64, 66, 67, 73, 75, 78, 85, D26/88, 89, 90, 103-106, 109, 110, 119, D26/123, 125, 129, 131, 135, 136, 138, 140, D26/143, 144; D13/179, 180; 362/92, 130, 362/132, 133, 183, 184, 190, 205, 216, 362/217.05, 218, 220, 223, 224, 241, 247, 362/249.03, 249.05-249.1, 249.11, 258, 362/260, 285, 287, 294.02, 297, 327, 345, 362/354, 373-379, 410, 418, 419, 510, 516, 362/558, 561; 248/339, 557, 558; D8/354, D8/373, 377, 382; D25/60, 119, 124, 125; 52/455; 349/59-62, 64-67, 113; 438/15; 345/102; D12/406; D10/111, D10/114.1; D11/121, 125, 144, 145; 428/11; 257/96, 97, 98, 99

See application file for complete search history.

(56) **References Cited**

U.S. PATENT DOCUMENTS

4,503,360	A *	3/1985	Bedel	315/112
D367,847	S *	3/1996	Tarulli et al.	D13/158
6,155,701	A *	12/2000	Leen	362/432
D442,717	S *	5/2001	Binsukor	D26/63
6,994,457	B2 *	2/2006	Lee	362/366
7,220,024	B1 *	5/2007	Berends	362/217.08
D591,894	S *	5/2009	Flank	D26/74
D595,452	S *	6/2009	Khang et al.	D26/138
7,588,359	B2 *	9/2009	Coushaine et al.	362/555
D639,499	S *	6/2011	Choi et al.	D26/138
D655,860	S *	3/2012	Choi et al.	D26/138
D679,049	S *	3/2013	Hashimoto	D26/138

* cited by examiner

Primary Examiner — Zenia Bennett

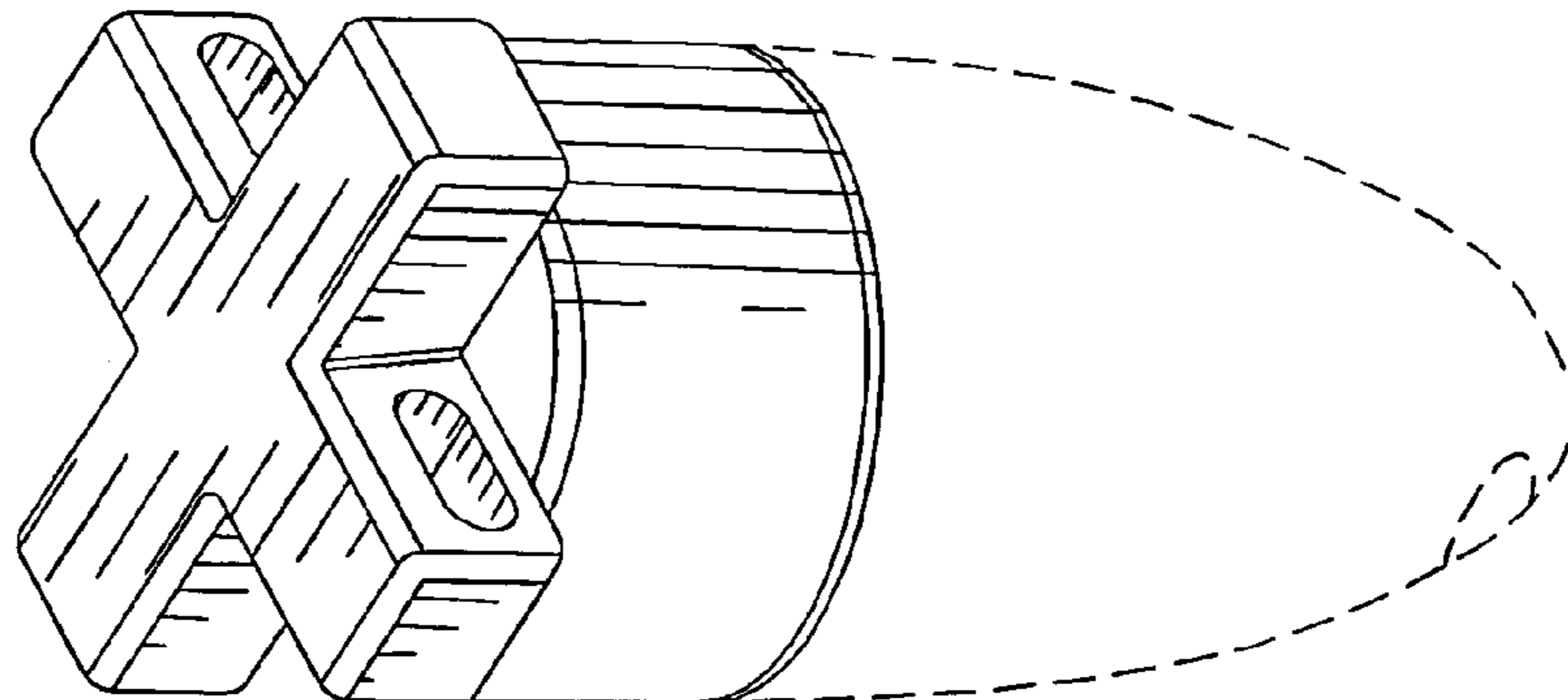
(57) **CLAIM**

The ornamental design for a cross bottomed magnetic light source attachment, as shown and described.

DESCRIPTION

FIG. 1 is a top plan view of a cross bottomed magnetic light source attachment showing my new design; FIG. 2 is a bottom elevational view thereof; FIG. 3 is a side elevational view thereof; FIG. 4 is a side elevational view thereof; FIG. 5 is a top and side perspective view thereof; and, FIG. 6 is a bottom and side perspective view thereof. The broken lines shown in the drawings are for illustrative purposes only and do not form part of the claimed design.

1 Claim, 3 Drawing Sheets



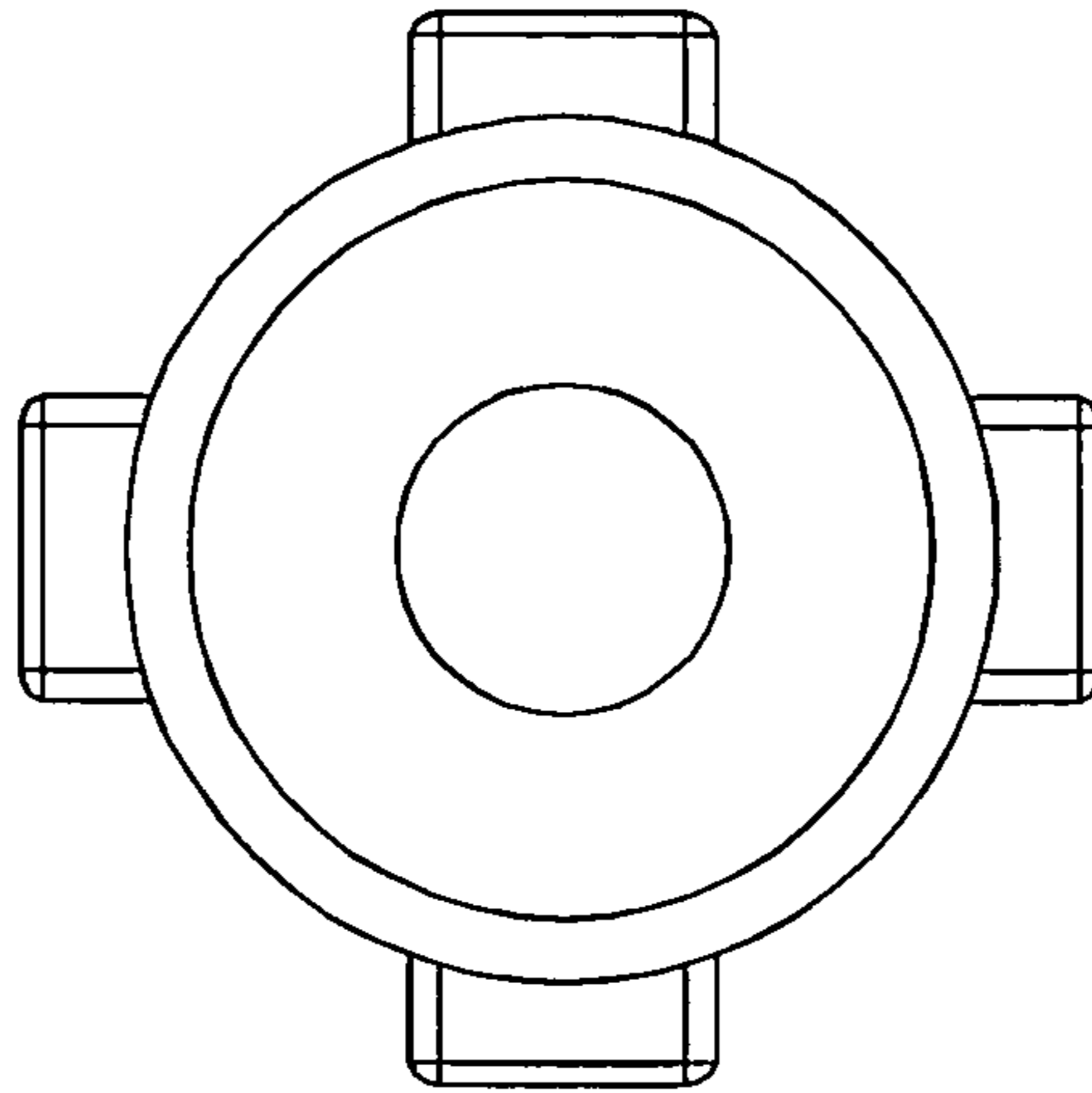


FIG. 1

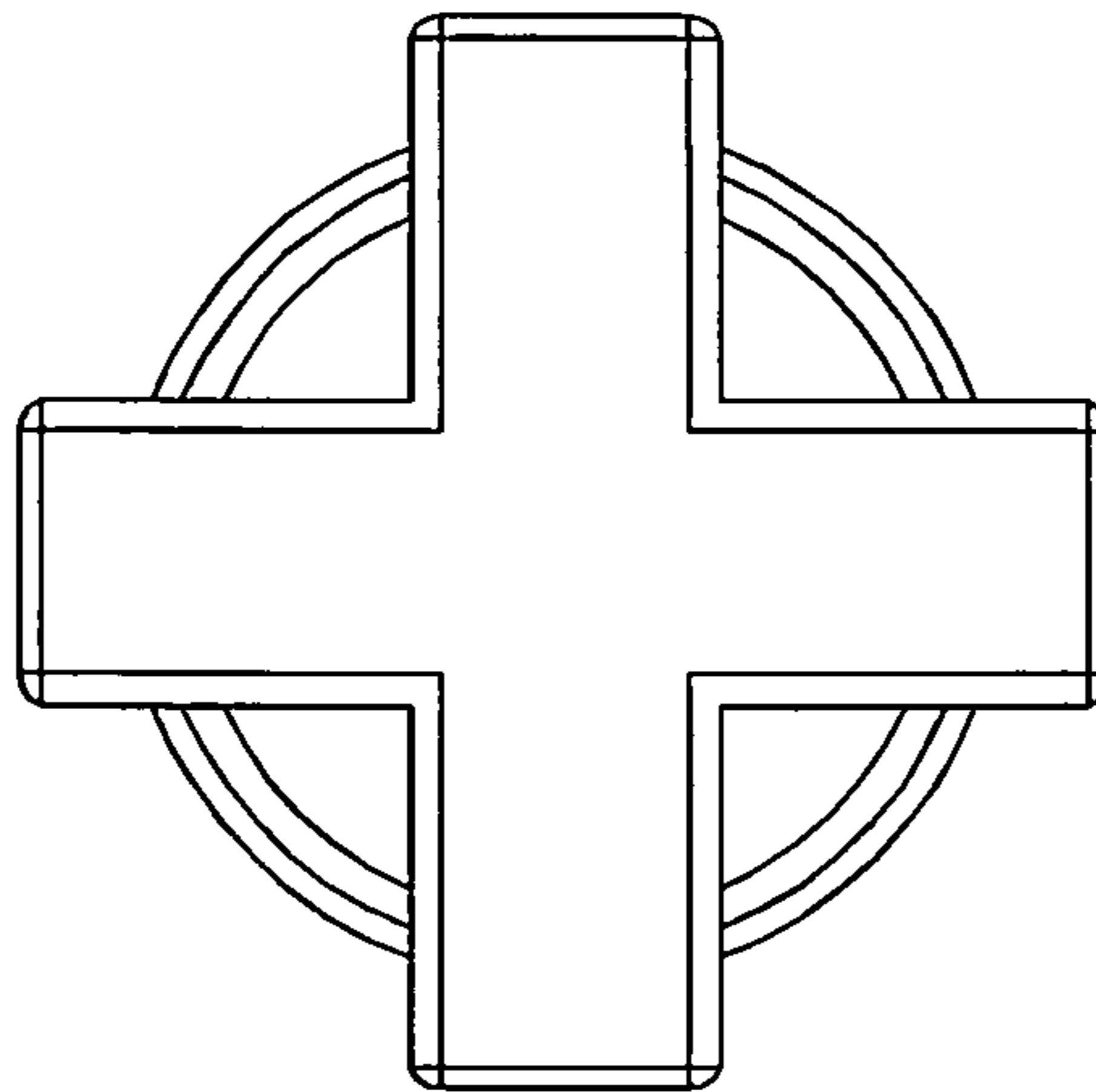


FIG. 2

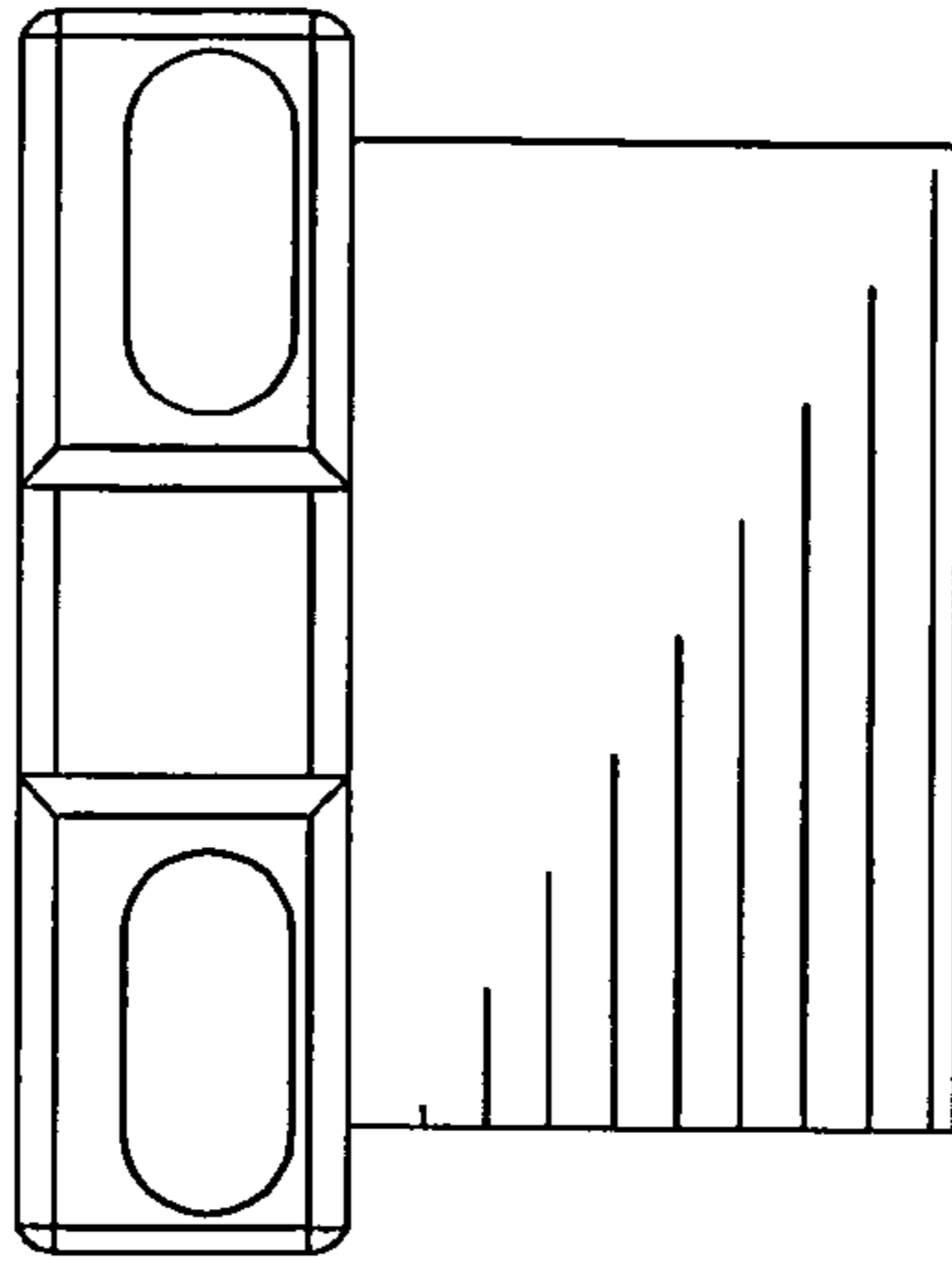


FIG. 3

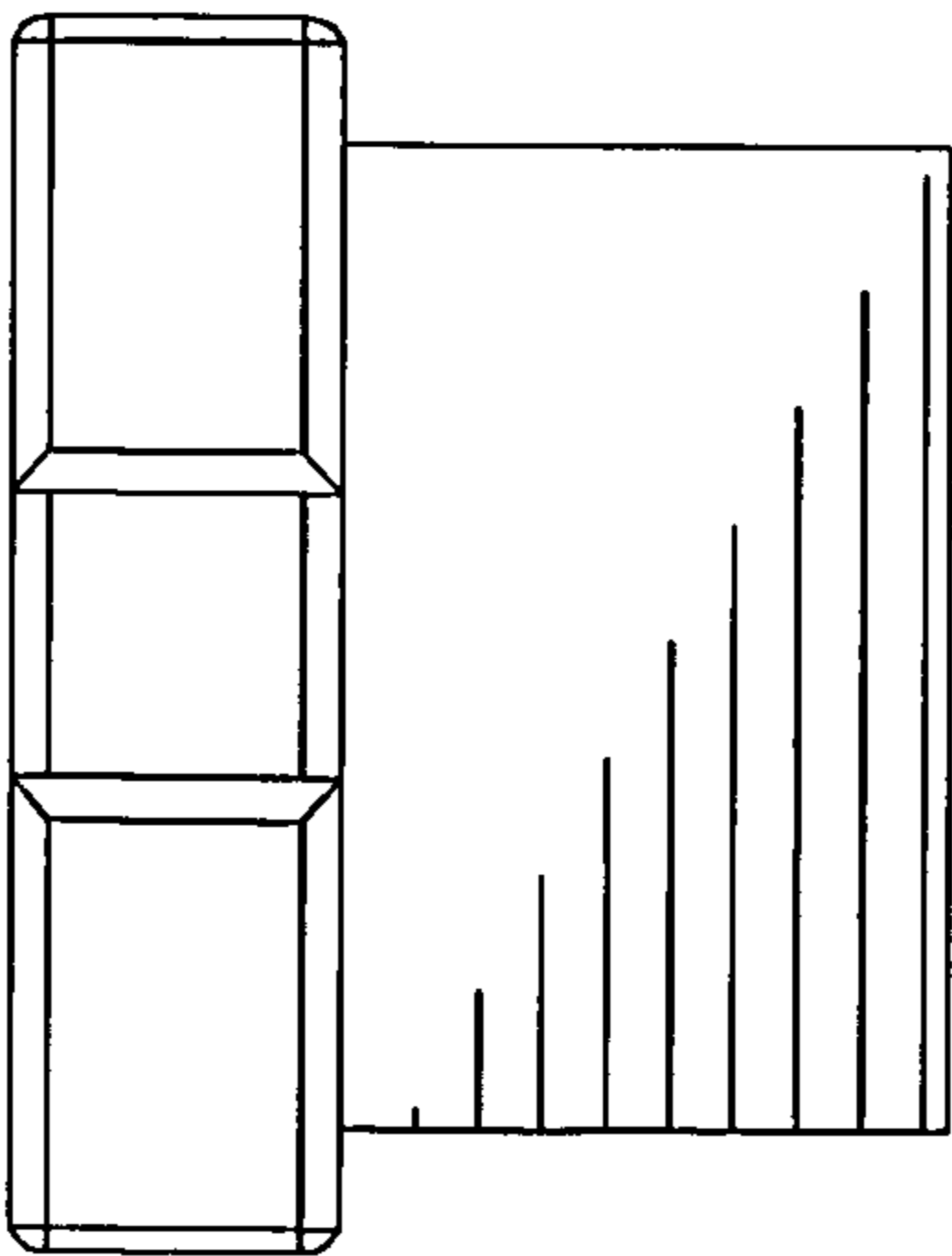


FIG. 4

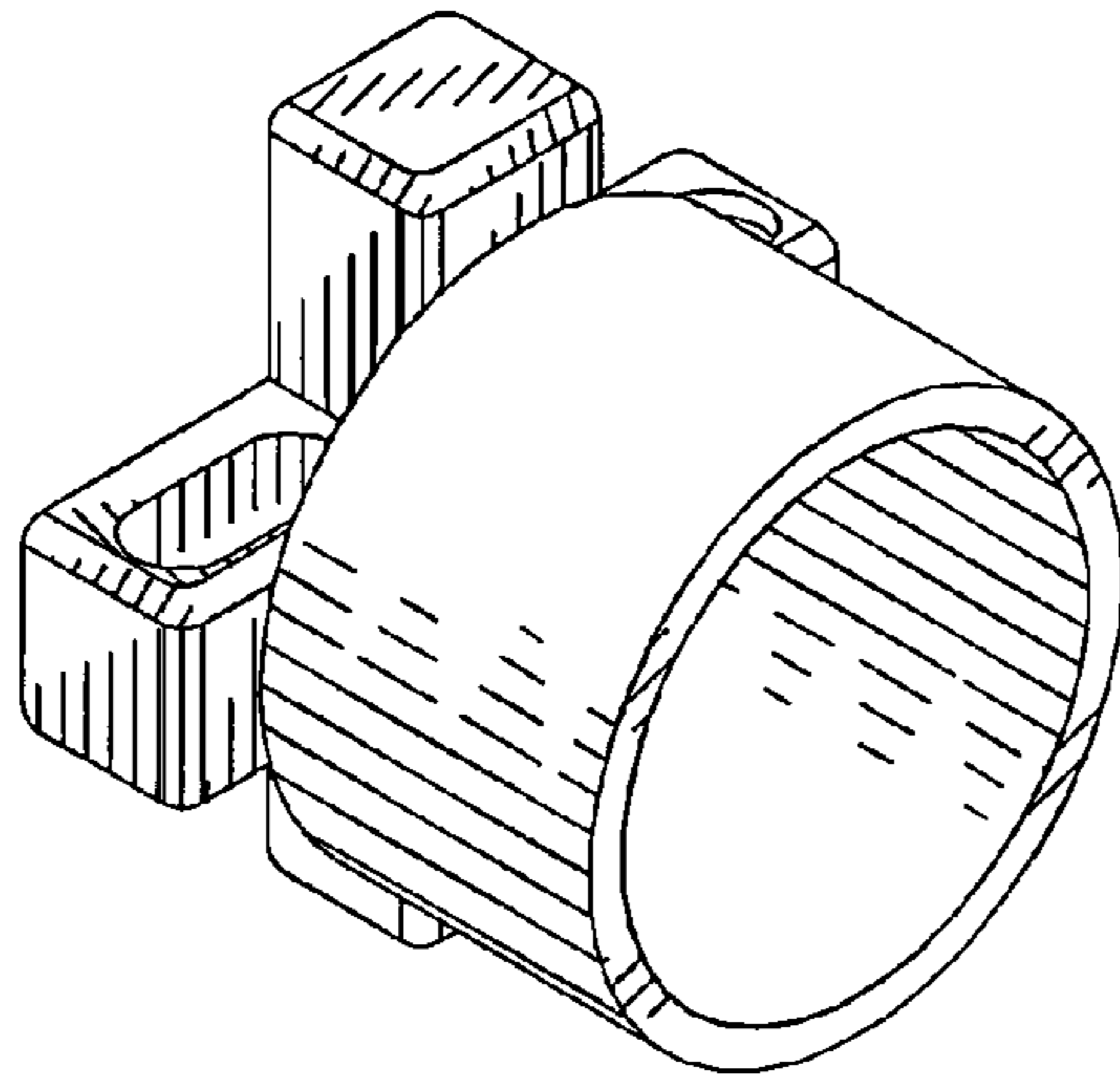


FIG. 5

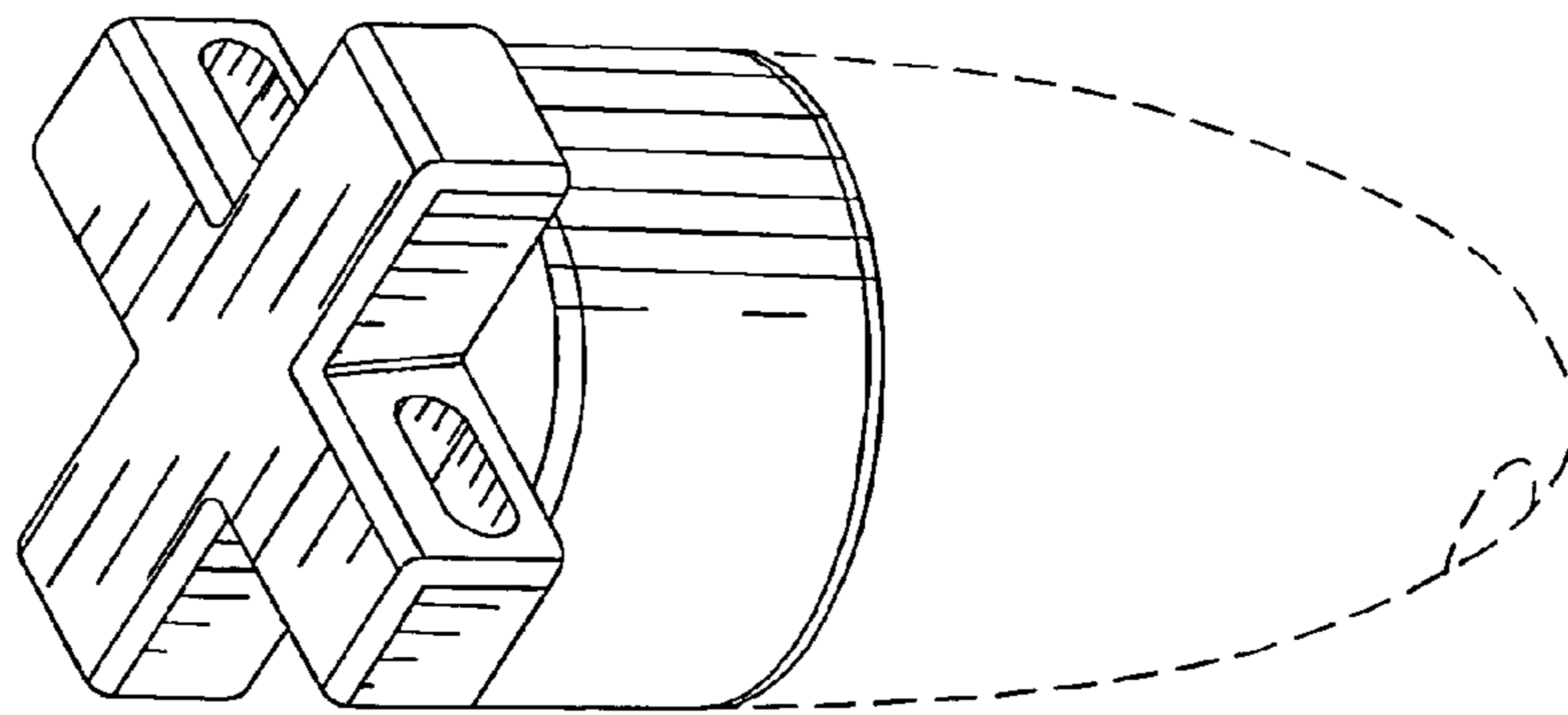


FIG. 6