



US00D702870S

(12) **United States Design Patent**  
**Wakamiya et al.**

(10) **Patent No.:** **US D702,870 S**

(45) **Date of Patent:** **\*\* Apr. 15, 2014**

(54) **LIGHT-EMITTING DIODE LAMP**

(75) Inventors: **Akihito Wakamiya**, Hyogo (JP); **Akio Kitada**, Osaka (JP); **Yoshinori Kakuno**, Osaka (JP); **Katsushi Seki**, Shiga (JP)

(73) Assignee: **Panasonic Corporation**, Osaka (JP)

(\*\*) Term: **14 Years**

(21) Appl. No.: **29/394,790**

(22) Filed: **Jun. 21, 2011**

(30) **Foreign Application Priority Data**

May 13, 2011 (JP) ..... 2011-010742

(51) **LOC (10) Cl.** ..... **26-99**

(52) **U.S. Cl.**  
USPC ..... **D26/113**

(58) **Field of Classification Search**

USPC ..... D26/25, 24, 26, 28, 113, 118, 119, 120,  
D26/64, 65, 72, 74, 75, 73, 68, 69, 70, 71,  
D26/152, 153, 154, 122, 123, 145, 155, 121,  
D26/138, 139, 86, 85, 87, 89, 66, 67, 76, 77,  
D26/78, 84, 88, 95, 96, 124, 125, 126, 227,  
D26/128, 129, 146, 144, 130, 151, 142, 143,  
D26/140, 141, 45, 38, 39, 1, 2, 3, 127;  
362/362, 326, 373, 623, 600, 371, 297,  
362/294, 249.01, 249.03–249.05, 218;  
D10/111, 113.1, 114.1; 257/88;  
D13/179, 180

See application file for complete search history.

(56) **References Cited**

**U.S. PATENT DOCUMENTS**

4,275,325 A \* 6/1981 Guim ..... 313/51  
4,695,768 A \* 9/1987 Covington et al. .... 315/73  
D343,915 S \* 2/1994 Baader et al. .... D26/28  
5,565,685 A \* 10/1996 Czako et al. .... 250/504 R

D397,811 S 9/1998 Vakil  
D421,138 S \* 2/2000 Kato et al. .... D26/3  
D438,988 S \* 3/2001 Dean, Jr. .... D25/113  
D513,079 S 12/2005 Kluijfhout et al.  
D514,064 S \* 1/2006 Wiskerke ..... D13/134  
D514,515 S \* 2/2006 Wiskerke ..... D13/134  
D514,516 S \* 2/2006 Wiskerke ..... D13/134

(Continued)

**FOREIGN PATENT DOCUMENTS**

JP D1139998 4/2002  
JP D1367241 8/2009  
JP D1377475 1/2010  
JP D1407531 2/2011

*Primary Examiner* — Kevin Rudzinski

(74) *Attorney, Agent, or Firm* — Brinks Gilson & Lione

(57) **CLAIM**

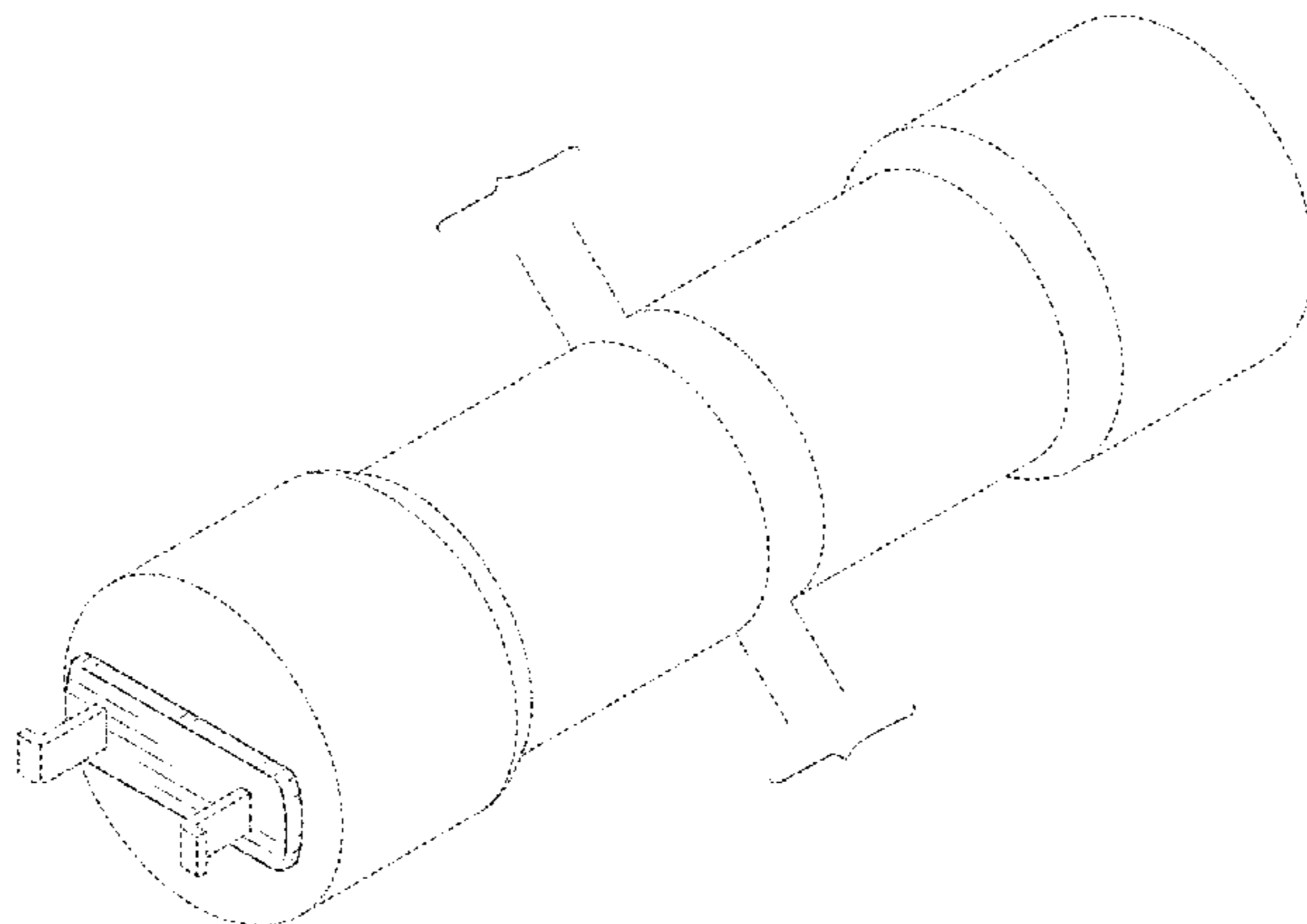
We claim the ornamental design for a light-emitting diode lamp, as shown and described.

**DESCRIPTION**

FIG. 1 is a front perspective view of a light-emitting diode lamp of the present invention;  
FIG. 2 is a rear perspective view thereof;  
FIG. 3 is a front view thereof;  
FIG. 4 is a rear view thereof;  
FIG. 5 is a first side view thereof;  
FIG. 6 is a second side view thereof;  
FIG. 7 is a top view thereof; and  
FIG. 8 is a bottom view thereof.

The broken lines illustrating portions of the light emitting diode lamp form not part of the claimed design. Additionally, the unevenly broken lines in the drawings define the limits of the claimed design and form no part of the claimed design. The broken lines down the middle of the design and the brackets indicate that the appearance of any portion of the article between the break lines form no part of the claimed design.

**1 Claim, 5 Drawing Sheets**



(56)

**References Cited**

U.S. PATENT DOCUMENTS

D546,765 S *	7/2007	Ciancanelli et al. ....	D13/136	D612,806 S *	3/2010	Yasumoto et al. ....	D13/122
D556,943 S *	12/2007	Kitagawa et al. ....	D26/138	D616,822 S *	6/2010	Zayas .....	D13/134
D575,235 S *	8/2008	Zayas .....	D13/136	8,021,189 B2 *	9/2011	Zayas et al. ....	439/617
D603,086 S *	10/2009	Zayas .....	D26/113	8,308,497 B2 *	11/2012	Zayas et al. ....	439/236
				2005/0202704 A1 *	9/2005	Lingemann et al. ....	439/236

\* cited by examiner

FIG. 1

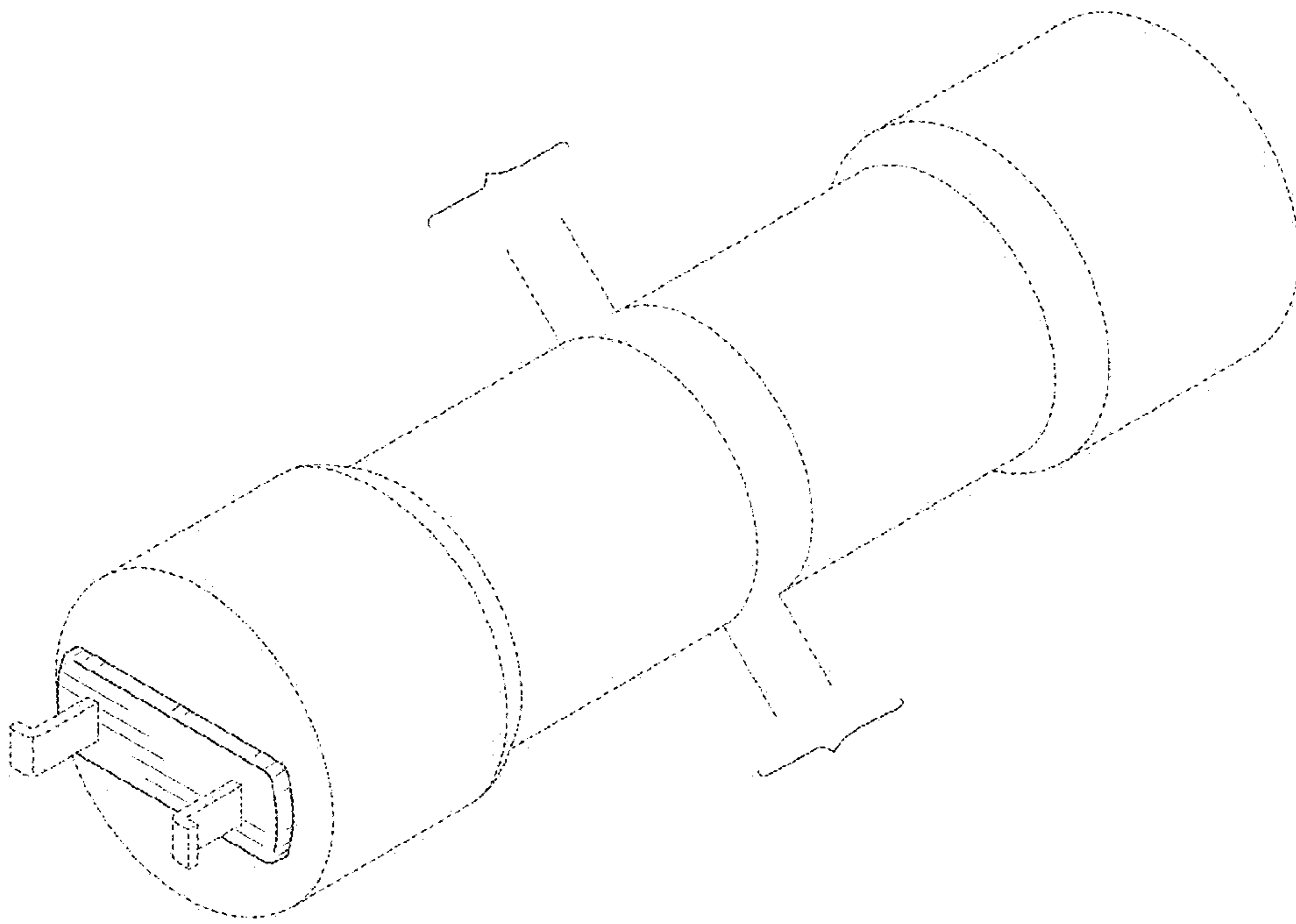


FIG.2

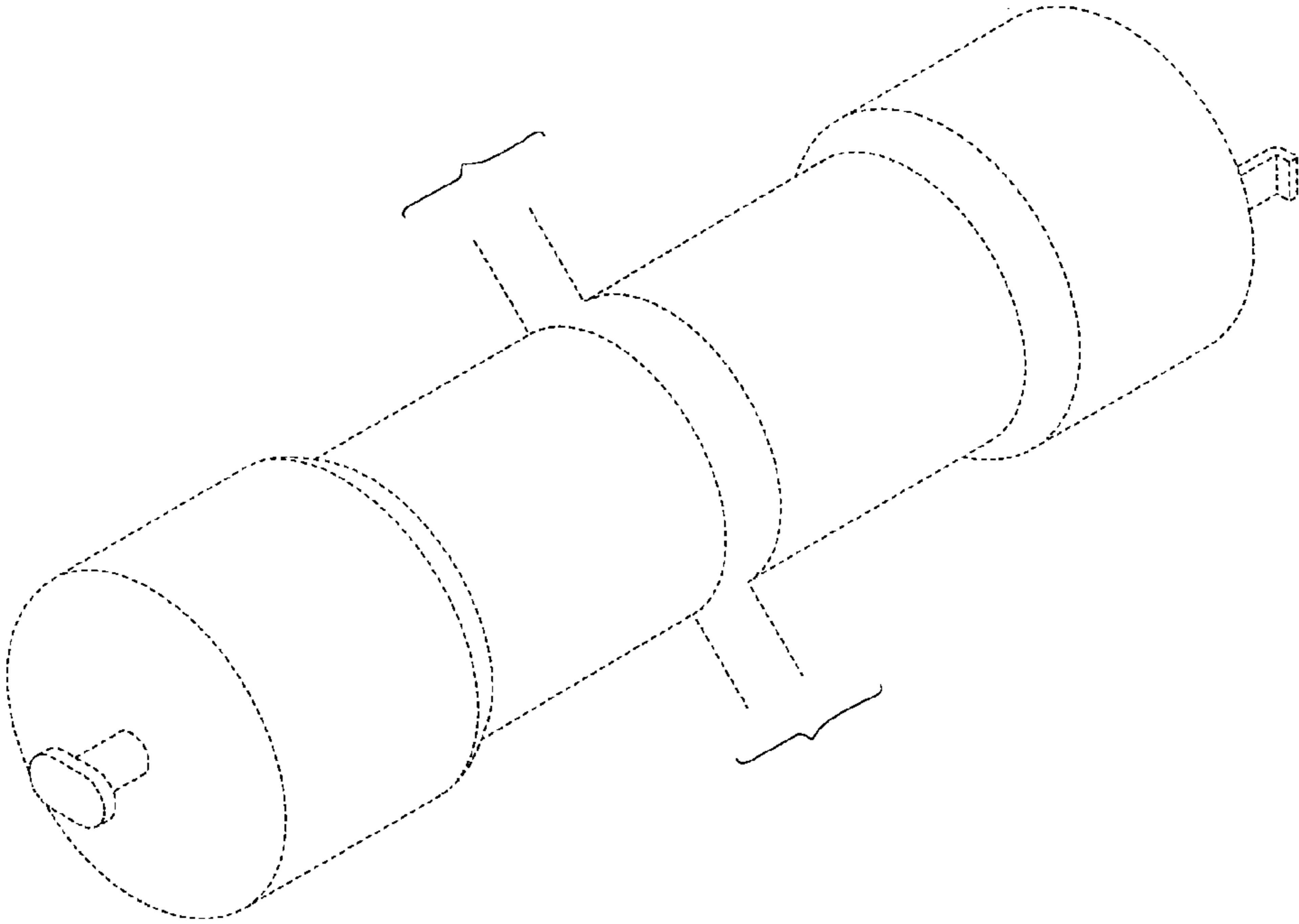


FIG.3

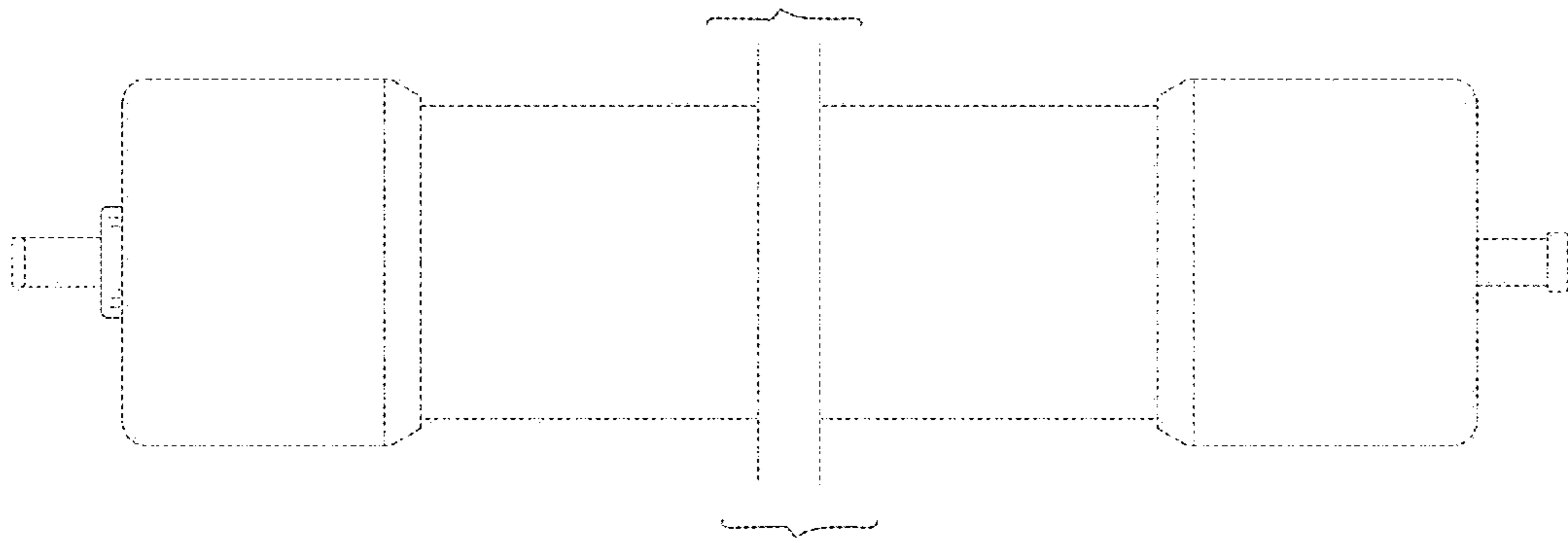


FIG.4

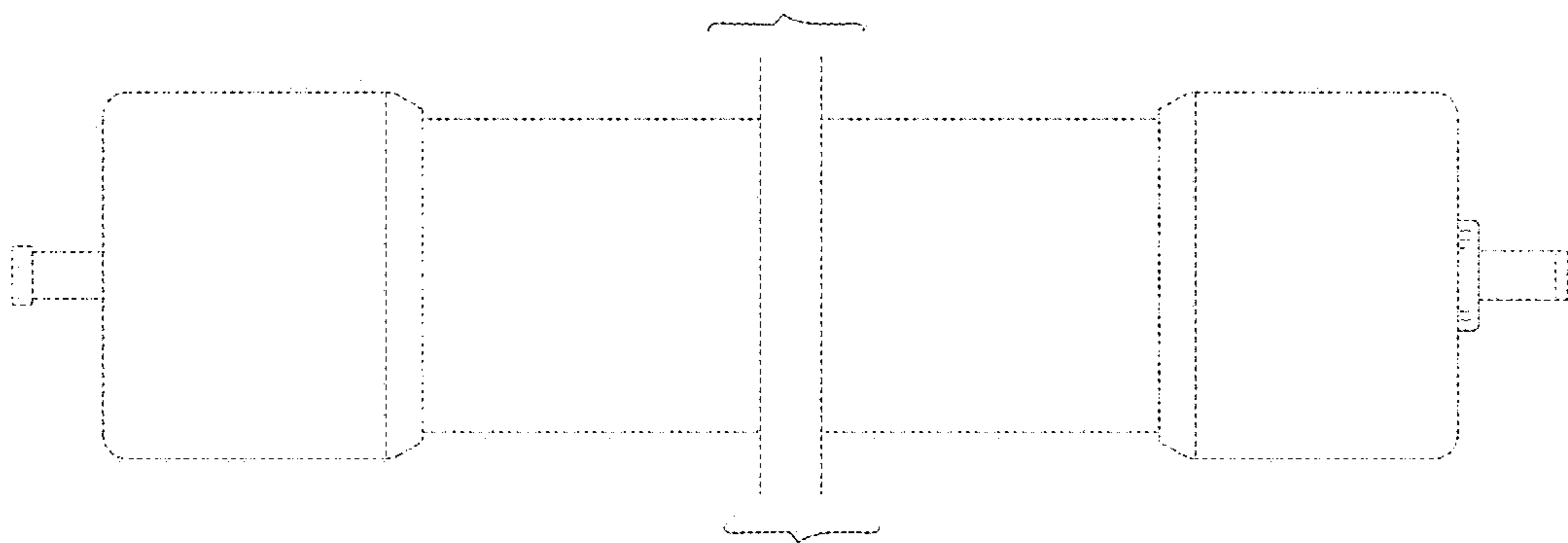


FIG.5

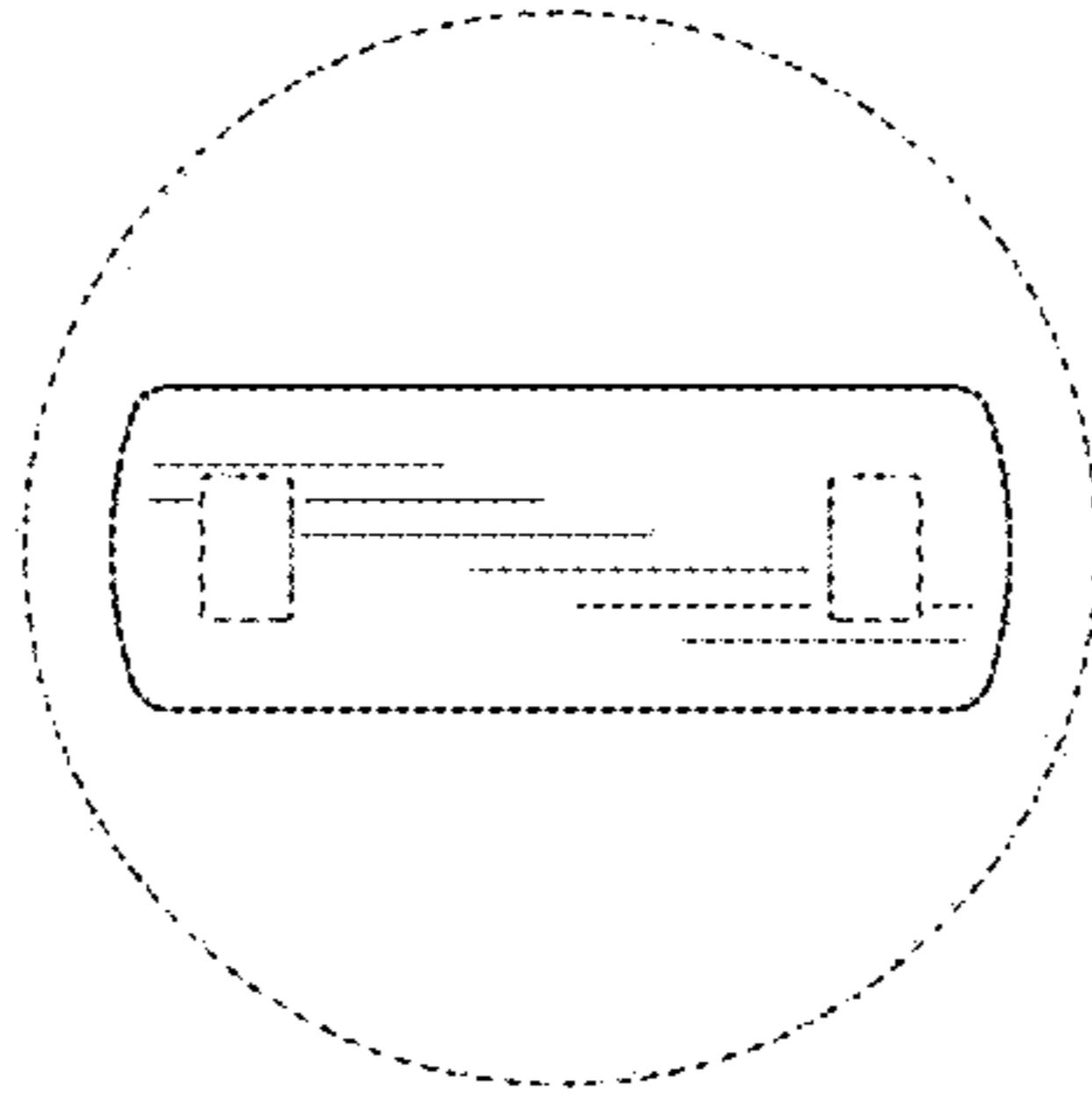


FIG.6

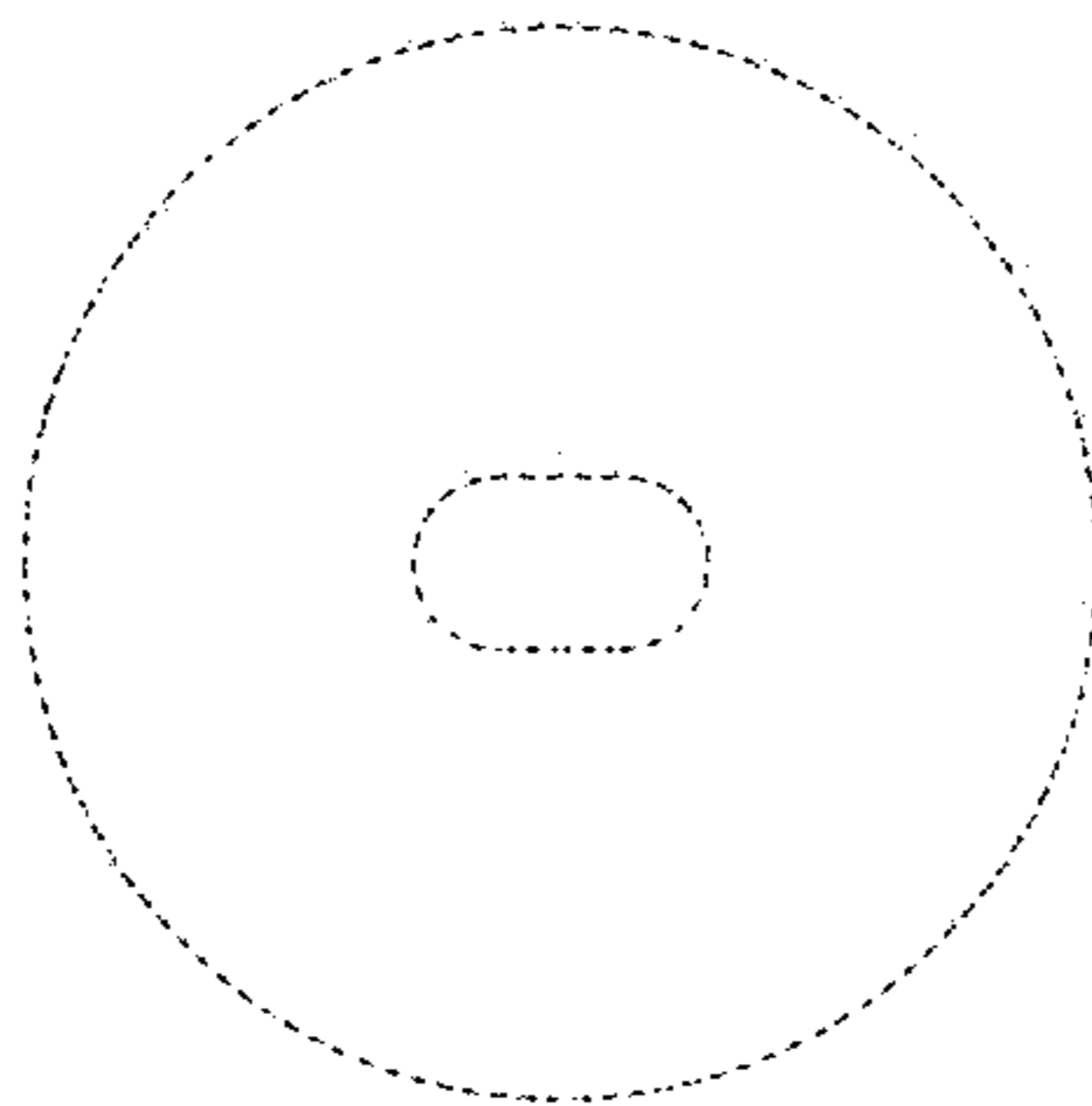


FIG.7

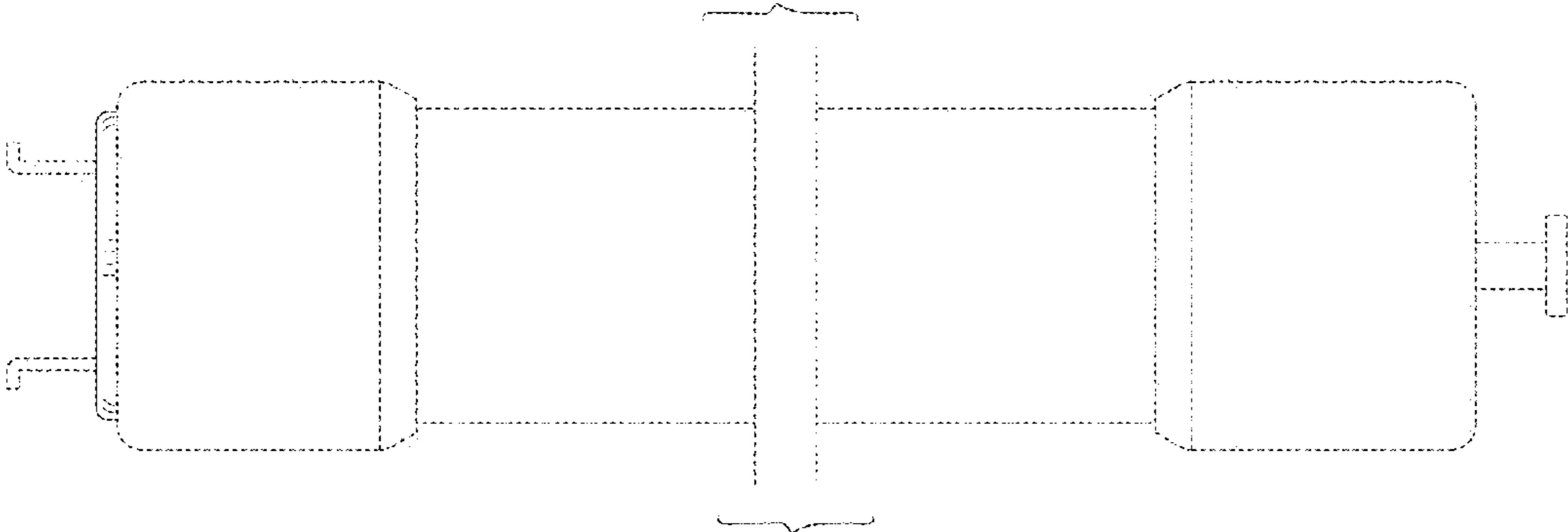


FIG.8

