



US00D702868S

(12) **United States Design Patent**
Patel

(10) **Patent No.:** **US D702,868 S**
(45) **Date of Patent:** **** Apr. 15, 2014**

(54) **LED LIGHTING FIXTURE**
(71) Applicant: **Jitendra Patel**, Carson, CA (US)
(72) Inventor: **Jitendra Patel**, Carson, CA (US)
(73) Assignee: **Infinilux, Inc.**, Commerce, CA (US)
(**) Term: **14 Years**

D592,348 S *	5/2009	Trott et al.	D26/74
D595,450 S *	6/2009	Ko et al.	D26/120
D628,335 S *	11/2010	Hyland	D26/74
D632,007 S *	2/2011	Kim et al.	D26/120
D638,975 S *	5/2011	Hyland	D26/74
D641,098 S *	7/2011	Wildner	D26/89
D648,060 S *	11/2011	Yamamoto et al.	D26/120
D656,654 S *	3/2012	Wauters	D26/89
D673,712 S *	1/2013	Patel	D26/74
D677,819 S *	3/2013	Mayfield et al.	D26/74
D684,718 S *	6/2013	Ko	D26/72

(21) Appl. No.: **29/438,334**
(22) Filed: **Nov. 29, 2012**
(51) **LOC (10) Cl.** **26-05**
(52) **U.S. Cl.**
USPC **D26/74**
(58) **Field of Classification Search**
USPC D26/74, 113, 118, 119, 120, 122, 138,
D26/141, 24, 58, 59, 67, 72, 76, 77, 78, 79,
D26/80, 81, 82, 83, 84, 85, 86, 88, 89, 90,
D26/91, 93, 105; 362/364, 365, 366, 145,
362/146, 147, 148, 150, 151, 152, 153,
362/153.1, 217.06, 217.07, 219, 294,
362/296.01, 311.07, 311.09
See application file for complete search history.

* cited by examiner

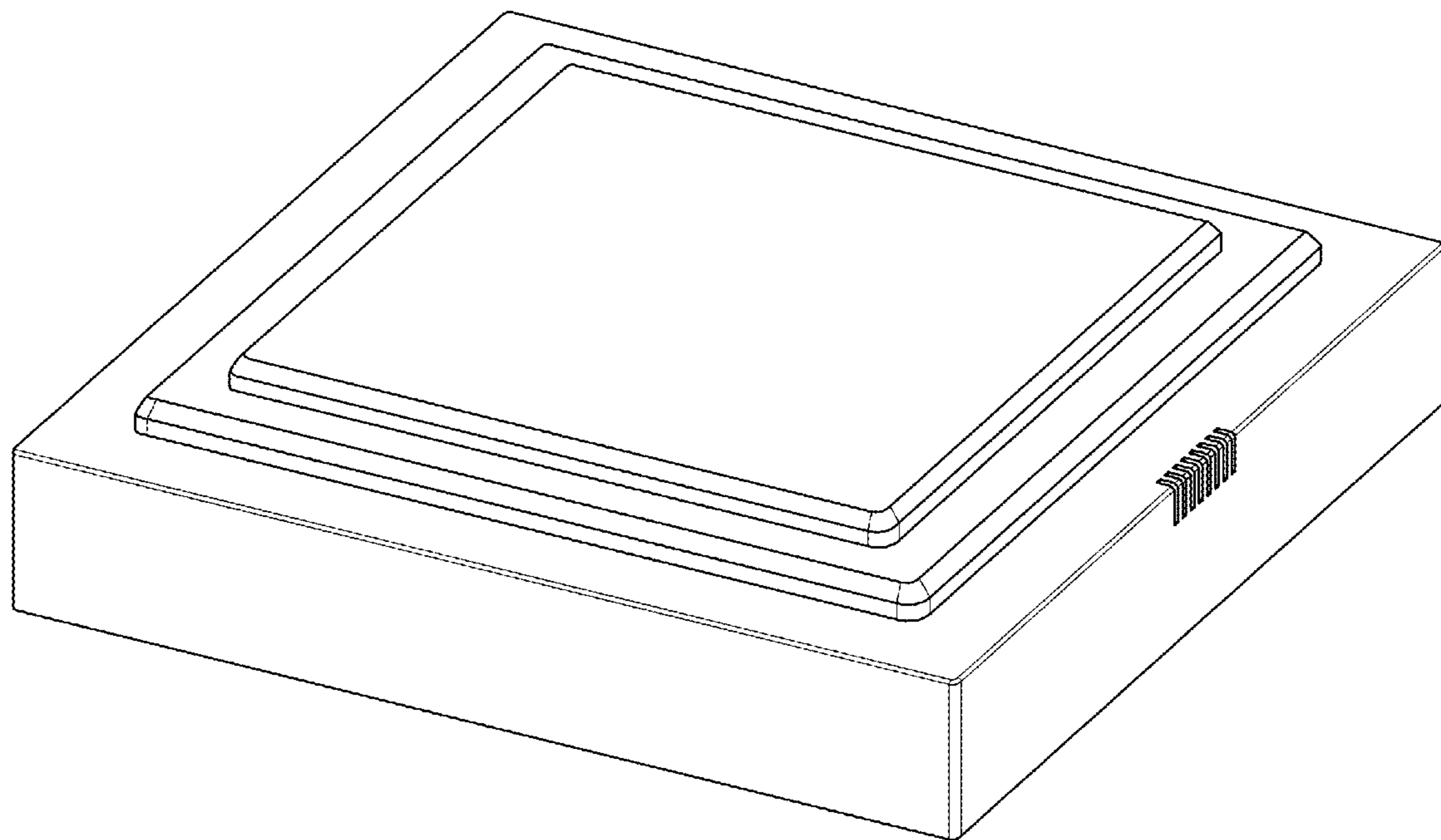
Primary Examiner — Angela J Lee
(74) *Attorney, Agent, or Firm* — K C Bean, Esq.

(56) **References Cited**
U.S. PATENT DOCUMENTS
4,951,045 A * 8/1990 Knapp et al. 340/944
D542,958 S * 5/2007 Lodhie et al. D26/67

(57) **CLAIM**
The ornamental design of LED lighting fixture, as shown and described.

DESCRIPTION
FIG. 1 is a front angled view of the LED lighting fixture showing the new design;
FIG. 2 is the front profile side view thereof;
FIG. 3 is the back profile side view thereof;
FIG. 4 is the left profile side view thereof;
FIG. 5 is the right profile side view thereof;
FIG. 6 is a top down view thereof; and,
FIG. 7 is the bottom up view thereof.

1 Claim, 5 Drawing Sheets



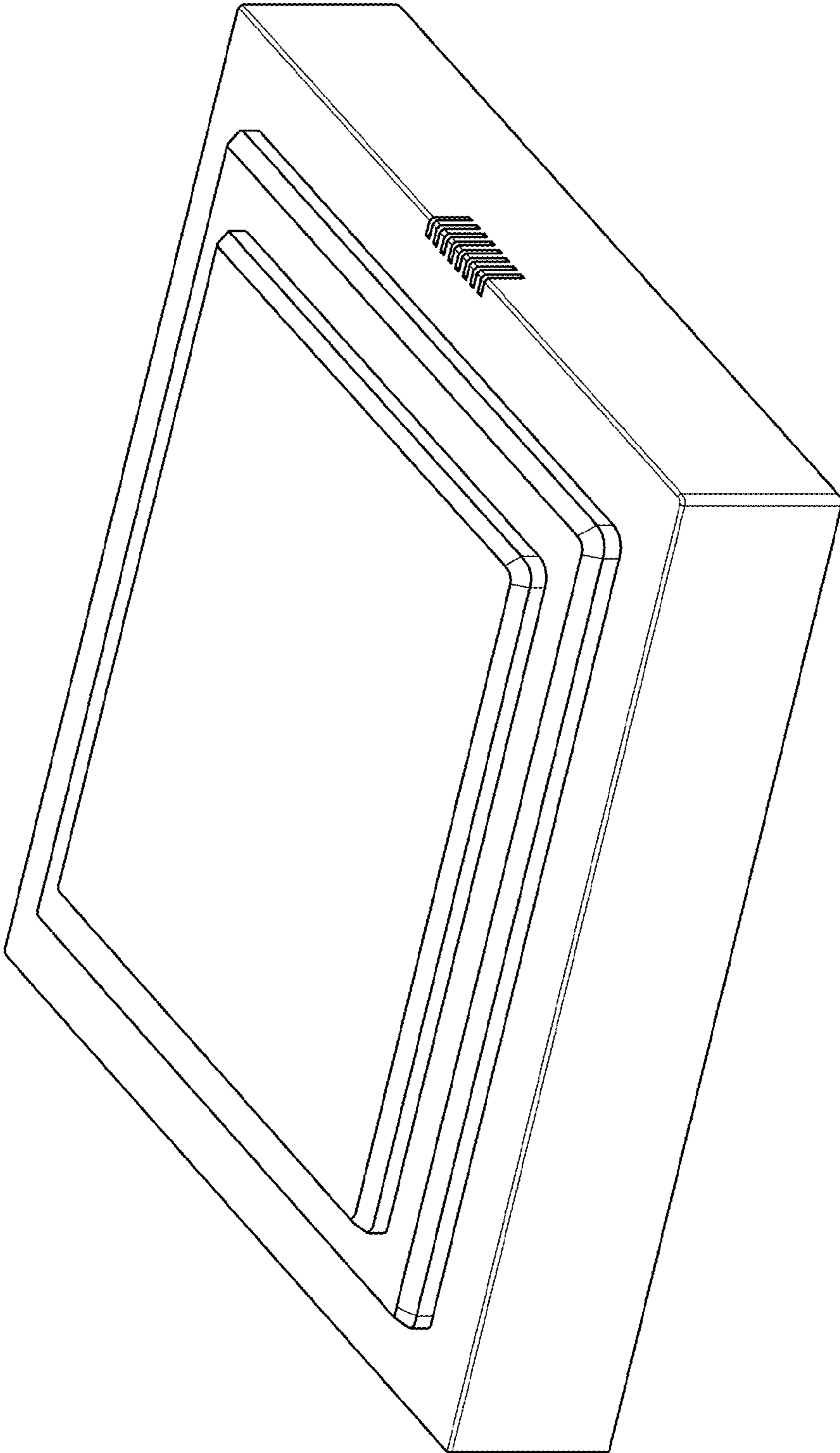


FIG. 1

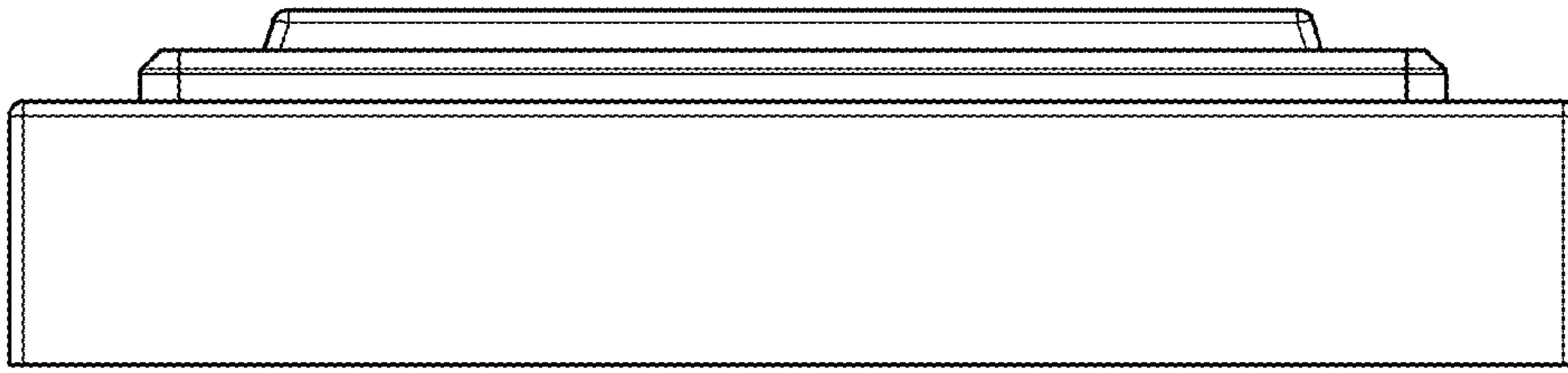


FIG. 2

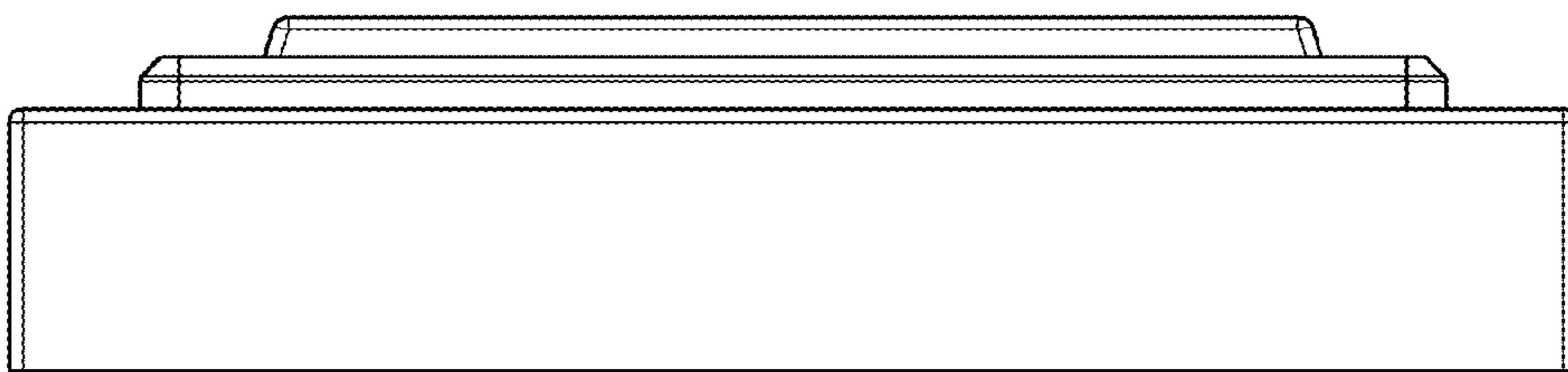


FIG. 3

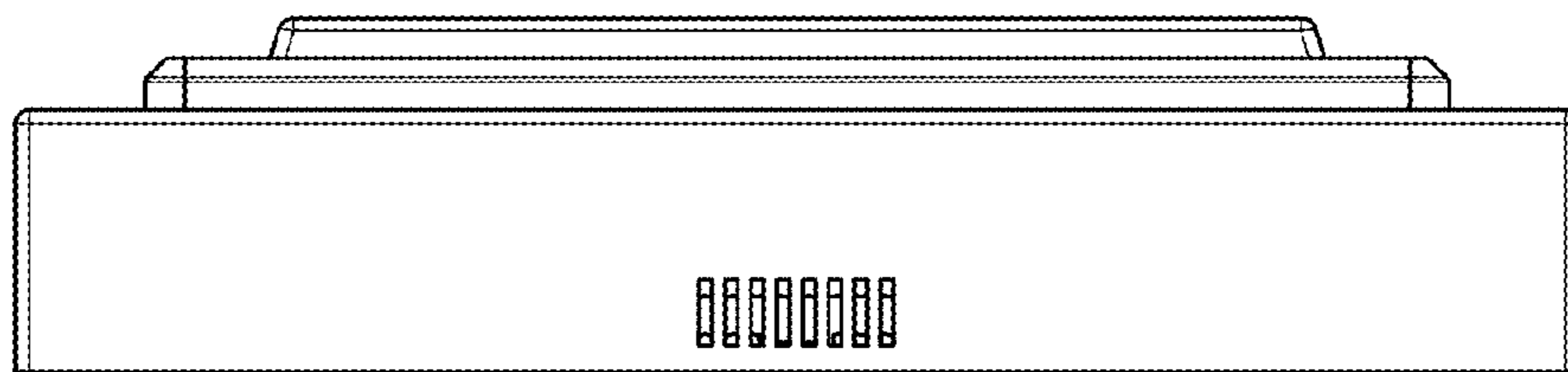


FIG. 4

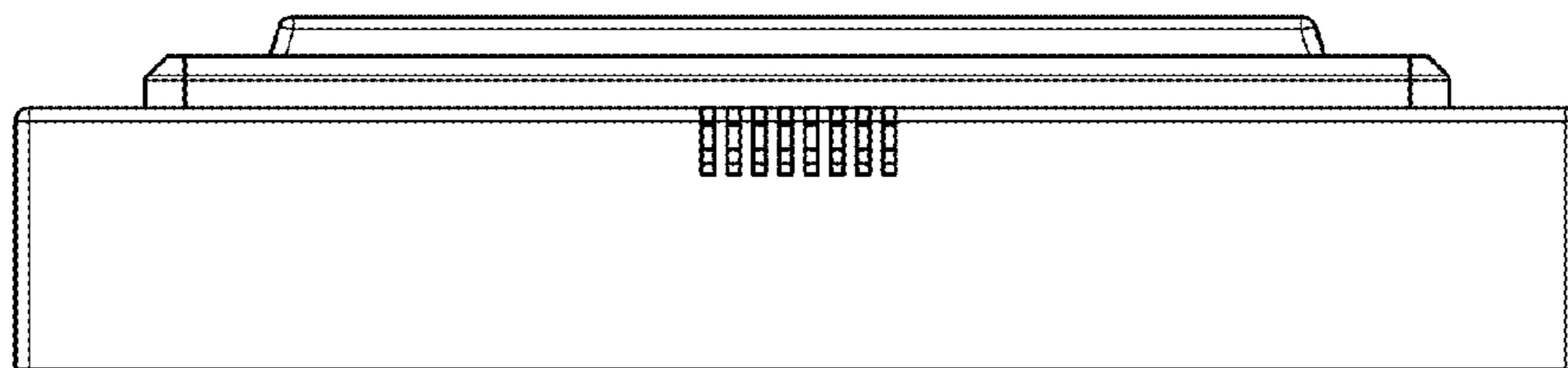


FIG. 5

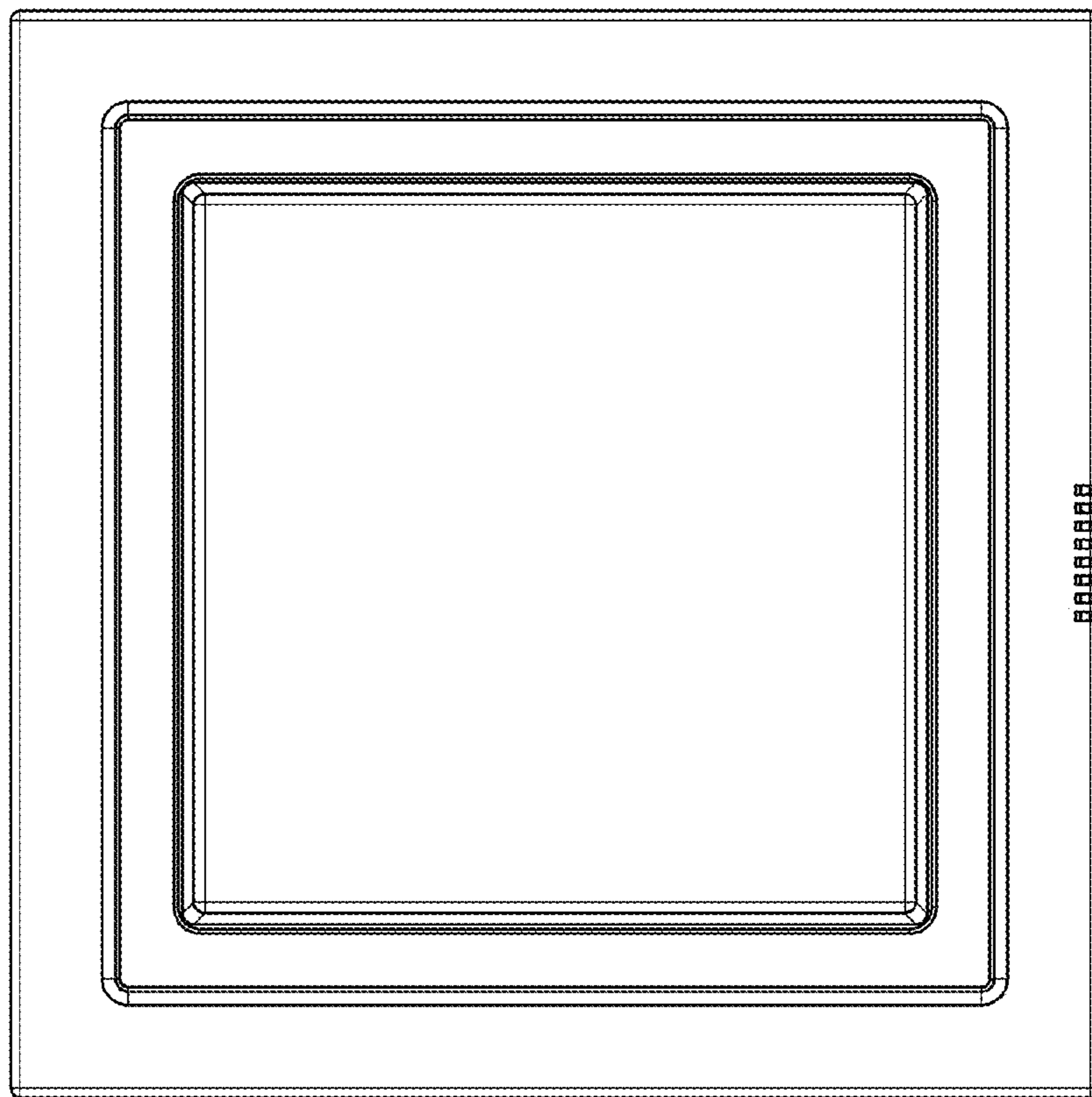


FIG. 6

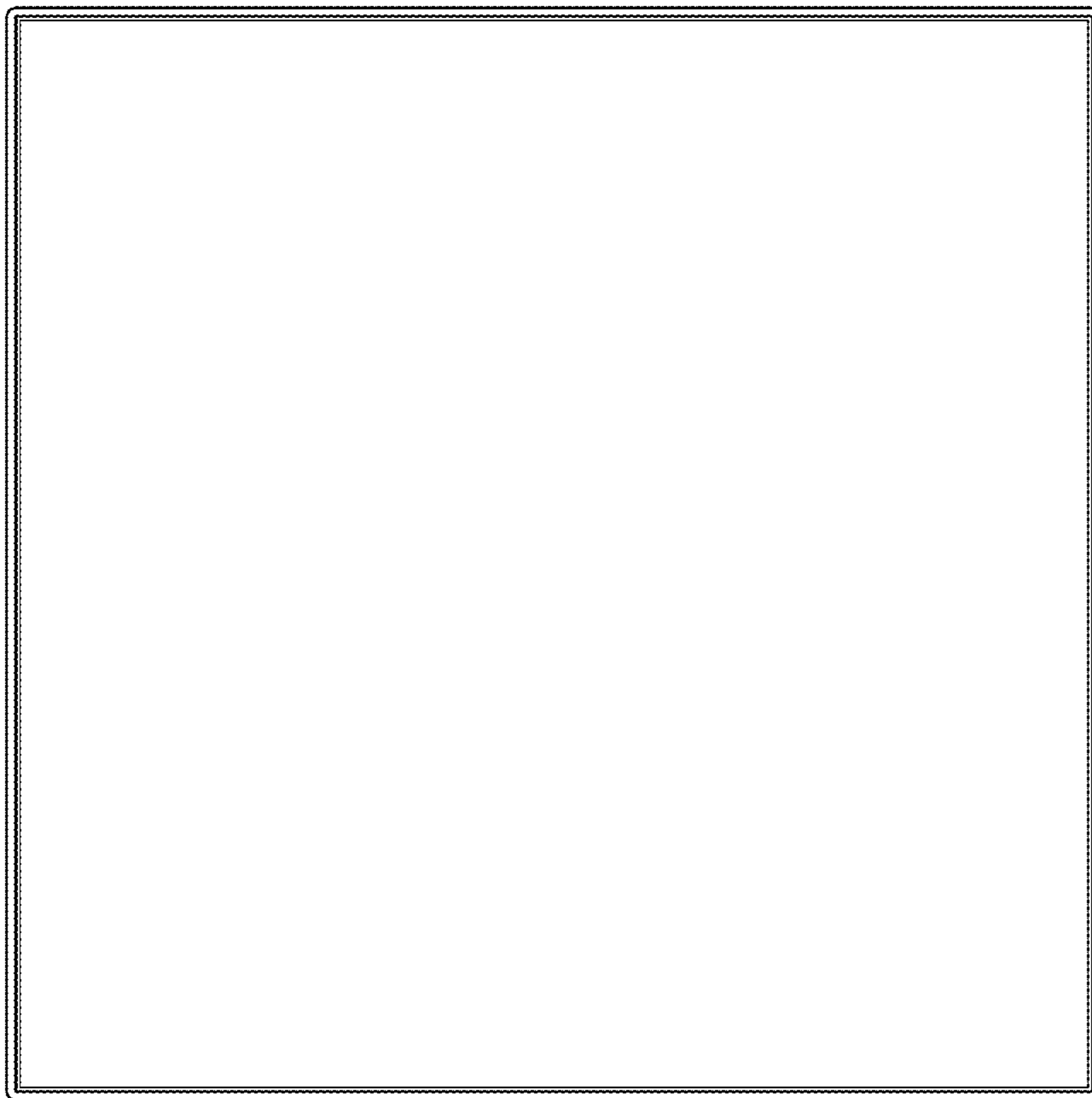


FIG. 7