



US00D702867S

(12) **United States Design Patent**
Kim et al.

(10) **Patent No.:** **US D702,867 S**
(45) **Date of Patent:** **** Apr. 15, 2014**

(54) **LIGHT EMITTING DIODE (LED) CEILING LIGHT**

(71) Applicant: **Posco LED Company Ltd.**,
Seongnam-si (KR)

(72) Inventors: **Ji Wan Kim**, Seongnam-si (KR); **Min Su Kim**, Seongnam-si (KR)

(73) Assignee: **Posco LED Company Ltd.**,
Seongnam-si (KR)

(**) Term: **14 Years**

(21) Appl. No.: **29/460,667**

(22) Filed: **Jul. 12, 2013**

(30) **Foreign Application Priority Data**

Jun. 13, 2013 (KR) 30-2013-0030672

(51) **LOC (10) Cl.** **26-05**

(52) **U.S. Cl.**
USPC **D26/72; D26/88**

(58) **Field of Classification Search**
USPC D26/24, 26, 59, 72, 85, 88, 89, 118,
D26/128, 130, 134-136; 362/147, 350,
362/404-408, 453-456, 373
See application file for complete search history.

(56) **References Cited**

U.S. PATENT DOCUMENTS

D119,822 S *	4/1940	Herold	D26/134
D163,812 S	7/1951	Mehr		
3,705,302 A *	12/1972	Judge et al.	362/222
D238,603 S *	1/1976	Armstrong et al.	D26/130
D242,943 S	1/1977	Lazerson		
D257,065 S	9/1980	Silvestris		
D417,746 S *	12/1999	Pahl	D26/118
D417,747 S *	12/1999	Pahl	D26/118
6,135,814 A *	10/2000	Fischer et al.	439/576
6,874,914 B2 *	4/2005	Desanto et al.	362/372
7,097,332 B2	8/2006	Vamberi		

7,722,227 B2	5/2010	Zhang et al.		
7,753,556 B1 *	7/2010	Zhang et al.	362/249.02
D627,502 S	11/2010	Zheng et al.		
D635,292 S	3/2011	Chiang et al.		
D642,316 S	7/2011	Zheng et al.		
D651,735 S	1/2012	Dai		
D657,088 S	4/2012	Miro		
D663,465 S	7/2012	Couvreux et al.		
D669,623 S	10/2012	Alverson et al.		
8,403,541 B1	3/2013	Rashidi		
D687,585 S *	8/2013	Kim et al.	D26/72
D688,405 S *	8/2013	Kim et al.	D26/72
D688,408 S *	8/2013	Wung et al.	D26/88
D690,450 S *	9/2013	Guercio et al.	D26/72
D690,453 S *	9/2013	Guercio et al.	D26/88

* cited by examiner

Primary Examiner — Clare E Heflin

(74) *Attorney, Agent, or Firm* — H.C. Park & Associates, PLC

(57) **CLAIM**

The ornamental design for a light emitting diode (LED) ceiling light, as shown and described.

DESCRIPTION

FIG. 1 is a Perspective View of the light emitting diode (LED) ceiling light of the claimed design.

FIG. 2 is a Front View of the light emitting diode (LED) ceiling light.

FIG. 3 is a Rear View of the light emitting diode (LED) ceiling light.

FIG. 4 is a Left Side View of the light emitting diode (LED) ceiling light.

FIG. 5 is a Right Side View of the light emitting diode (LED) ceiling light.

FIG. 6 is a Top Plan View of the light emitting diode (LED) ceiling light.

FIG. 7 is a Bottom Plan View of the light emitting diode (LED) ceiling light; and,

FIG. 8 is a Reference Perspective View showing a decomposition state of the light emitting diode (LED) ceiling light.

1 Claim, 8 Drawing Sheets

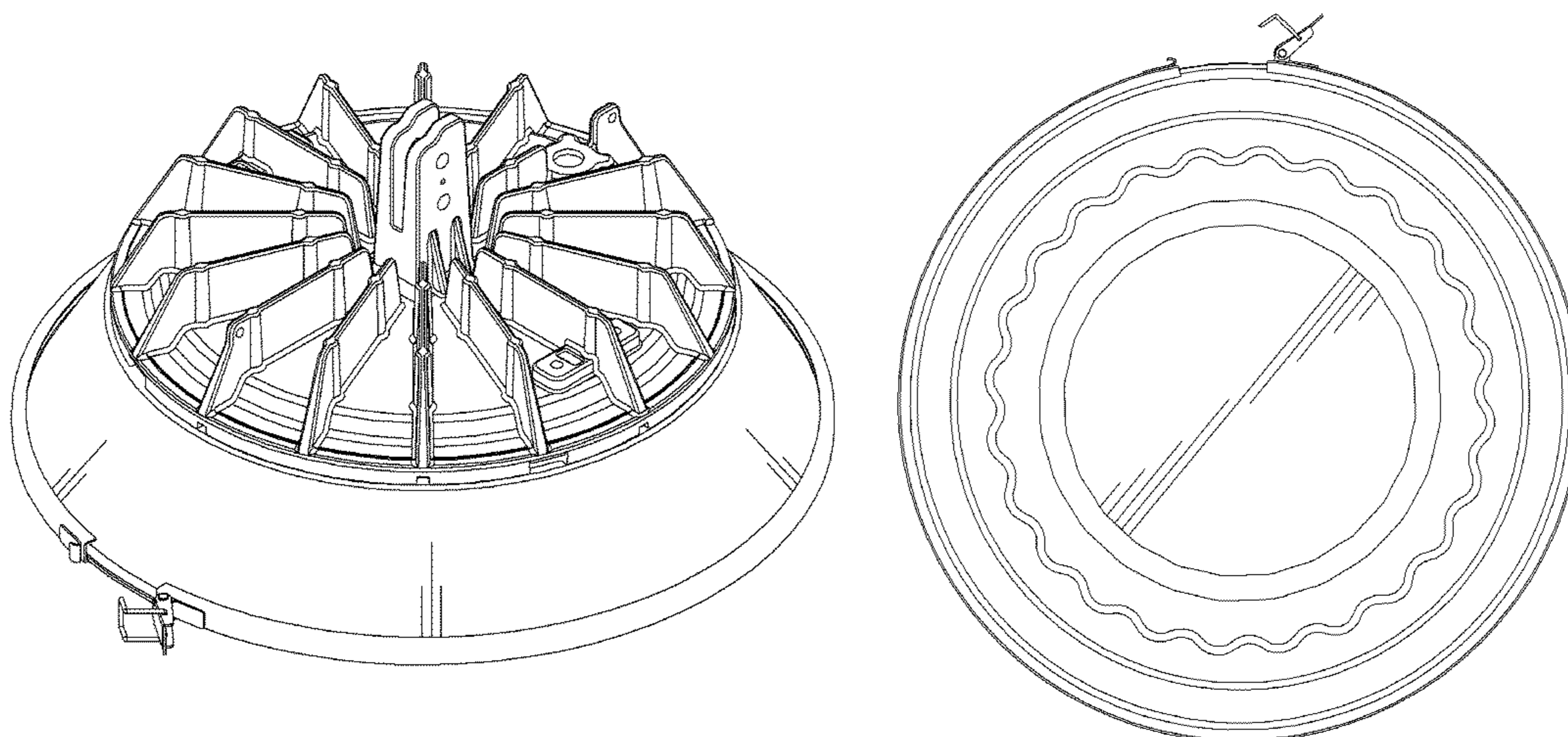


FIG. 1

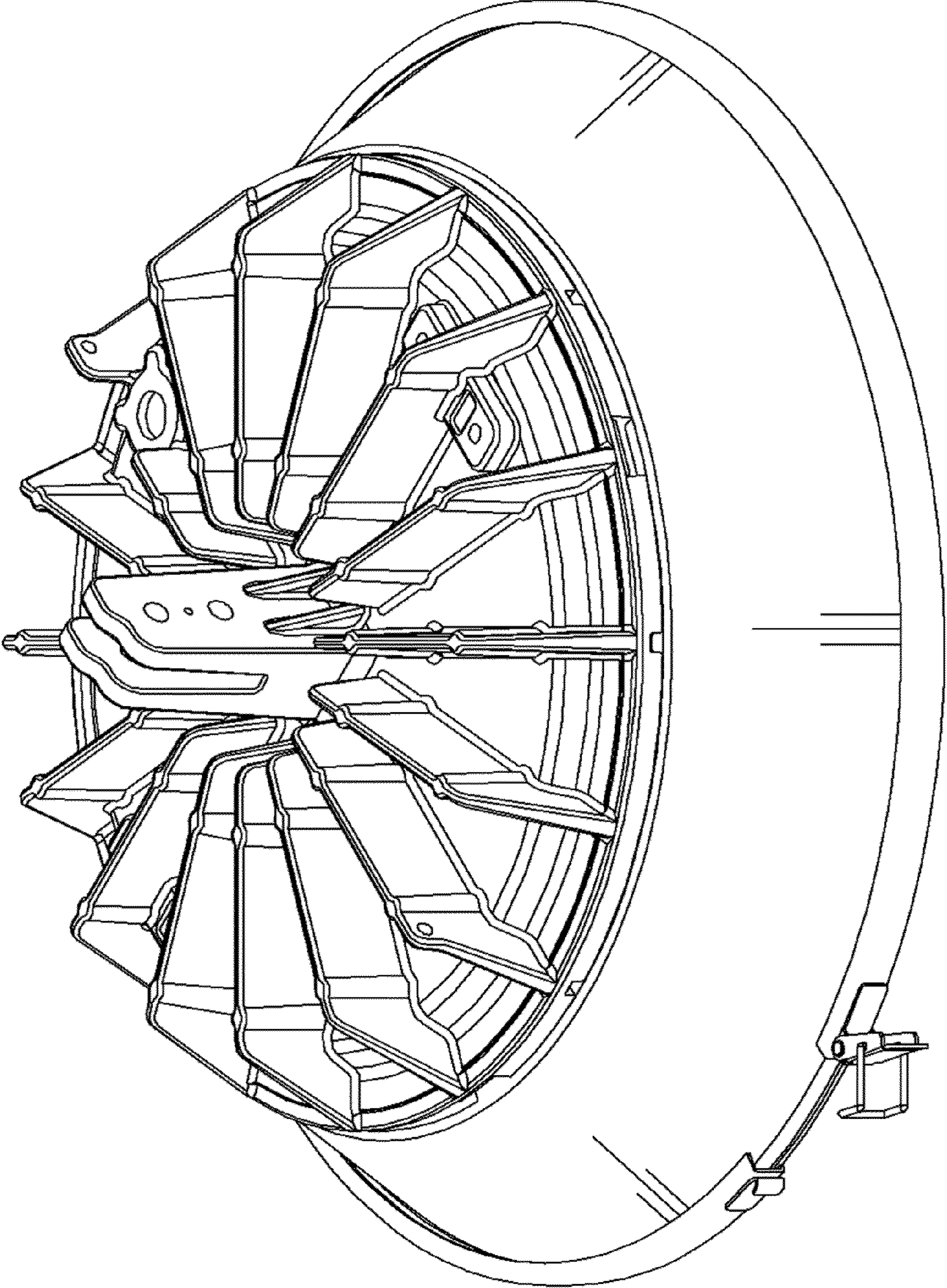


FIG. 2

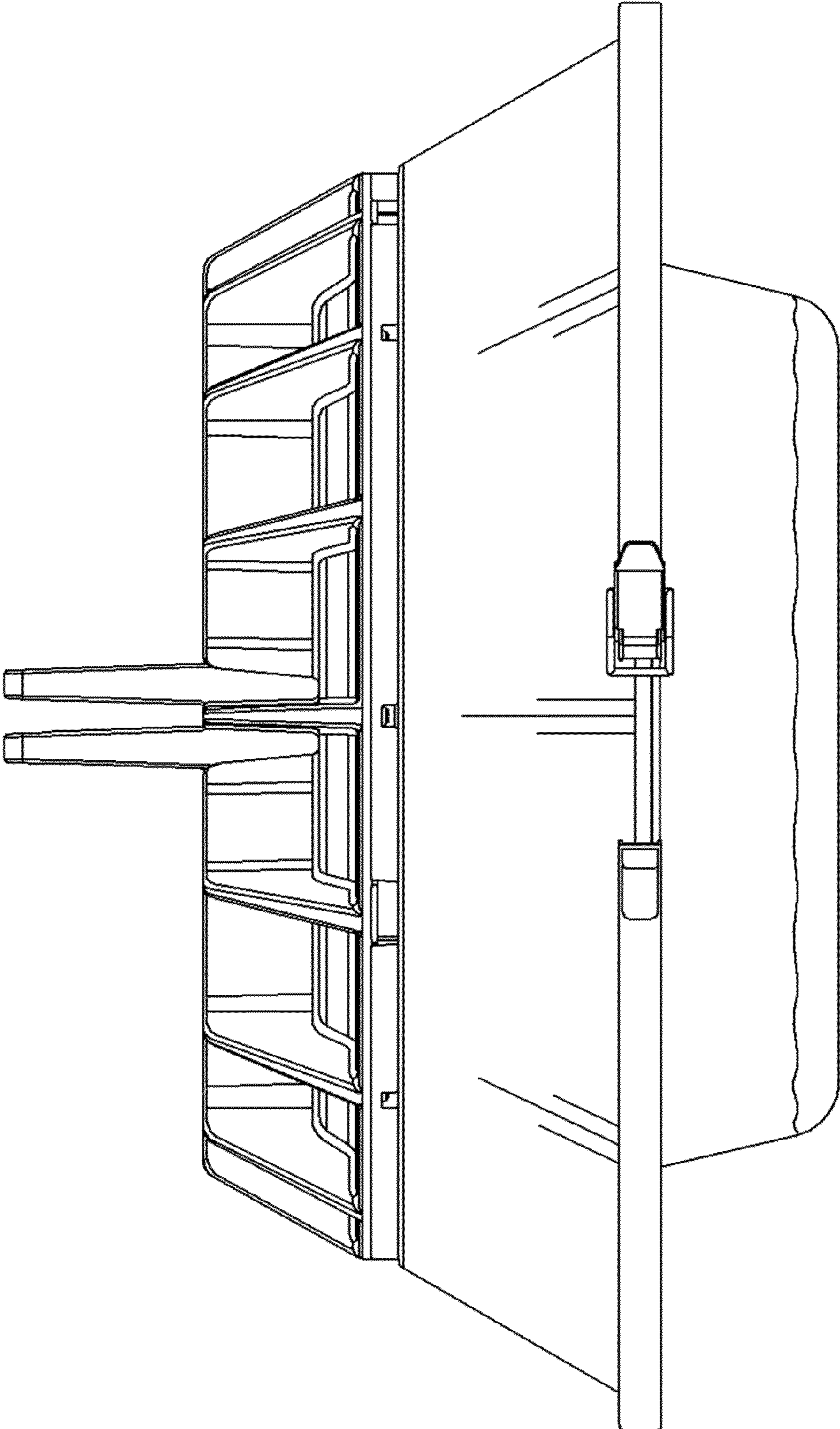


FIG. 3

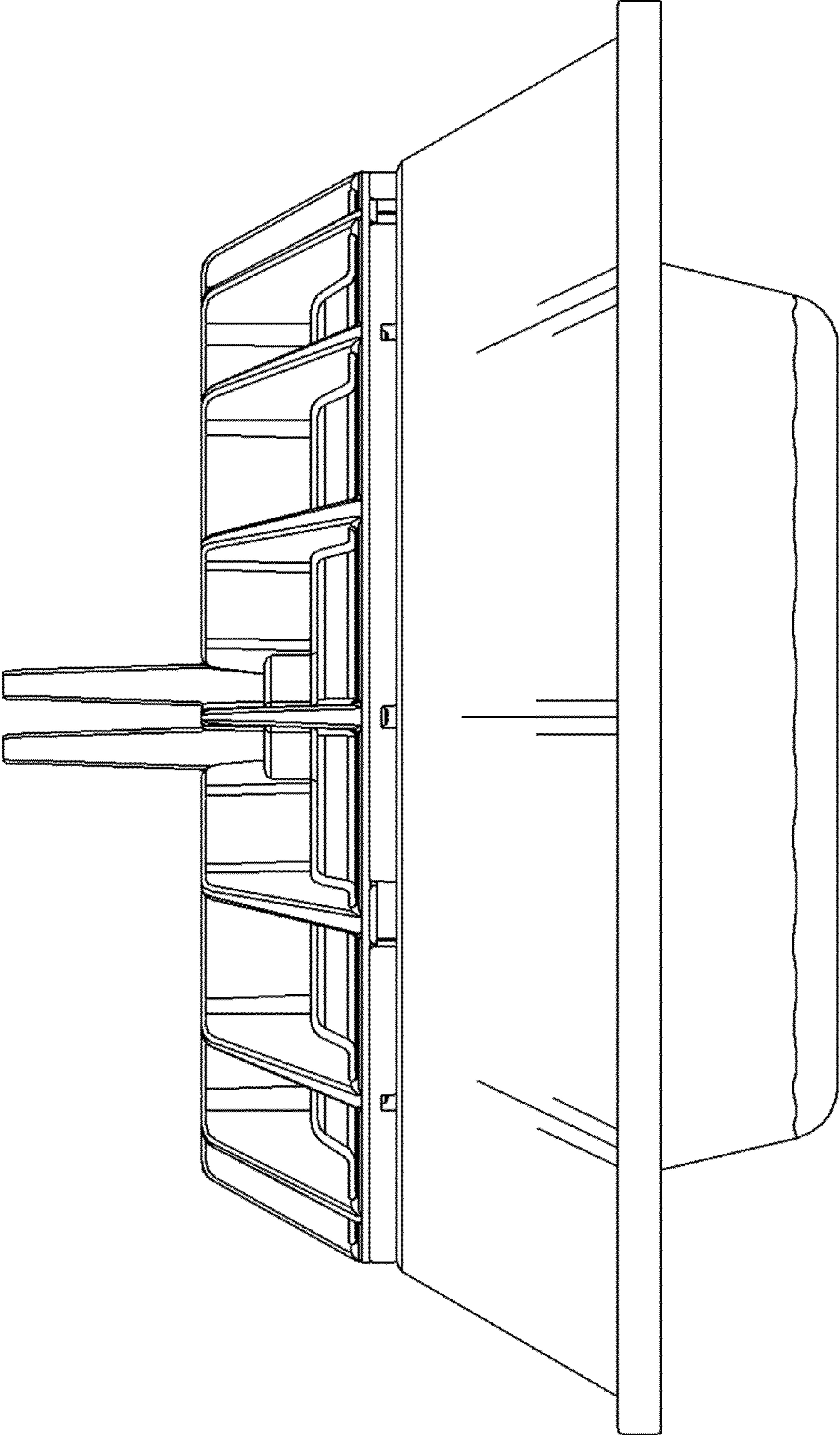


FIG. 4

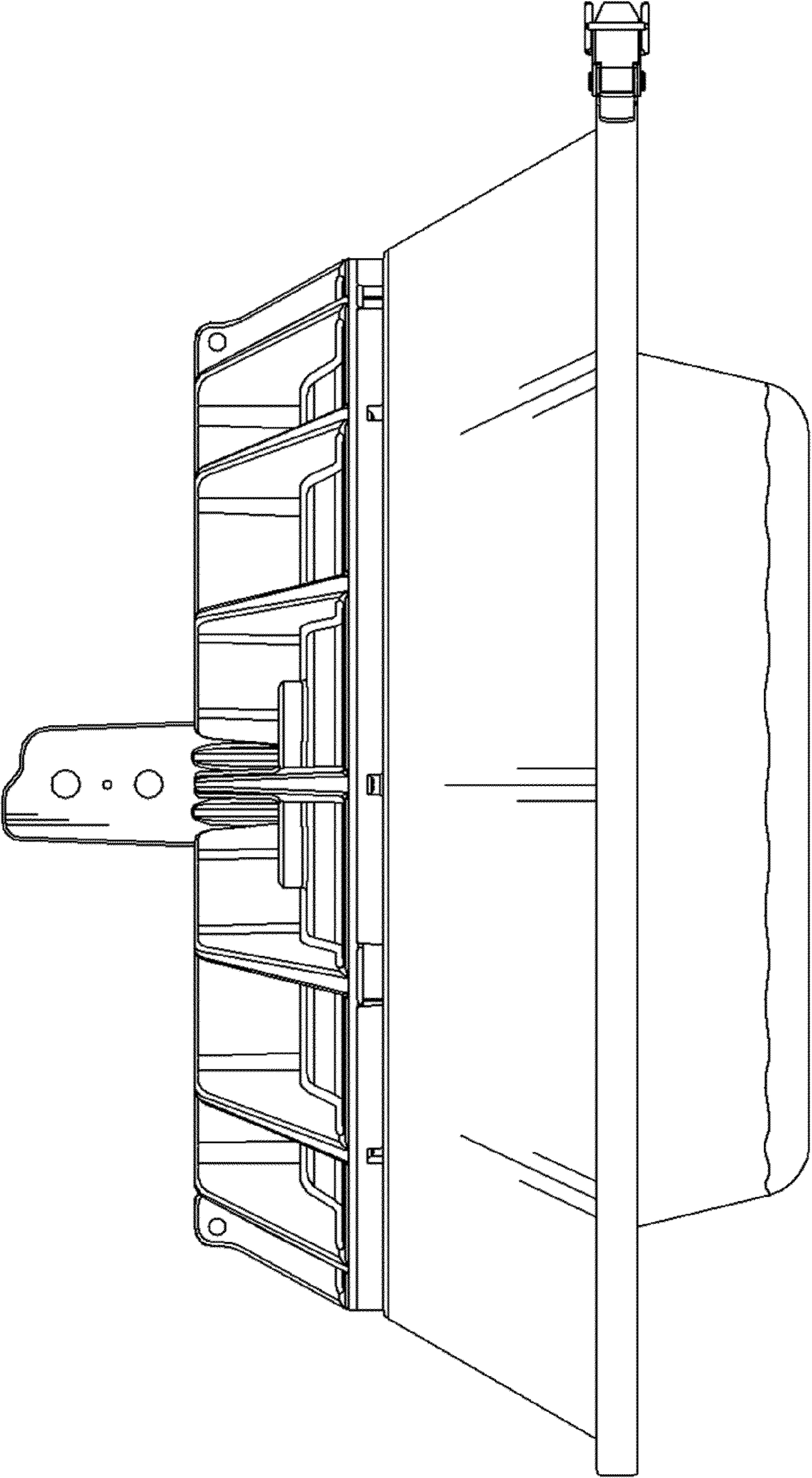


FIG. 5

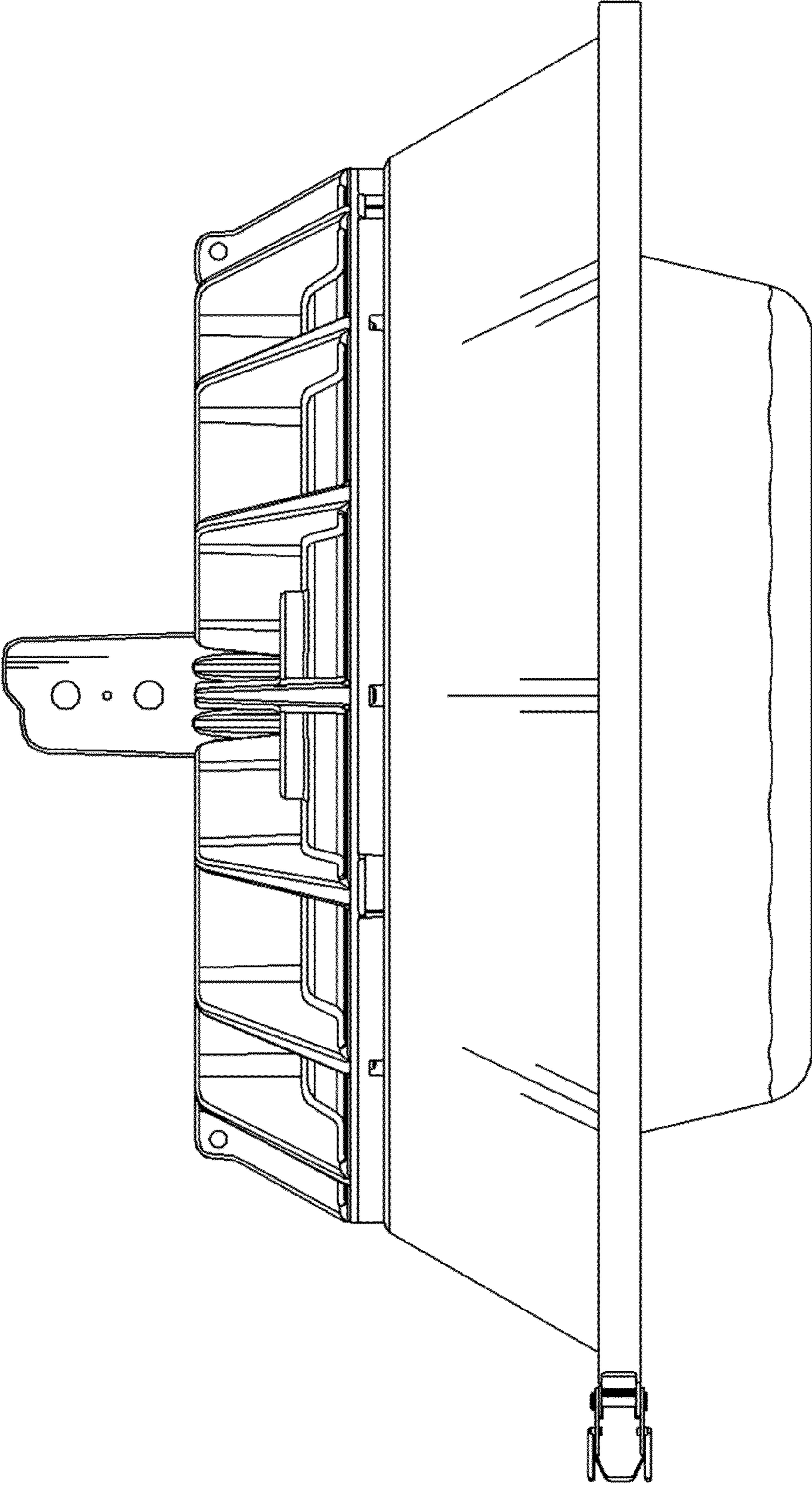


FIG. 6

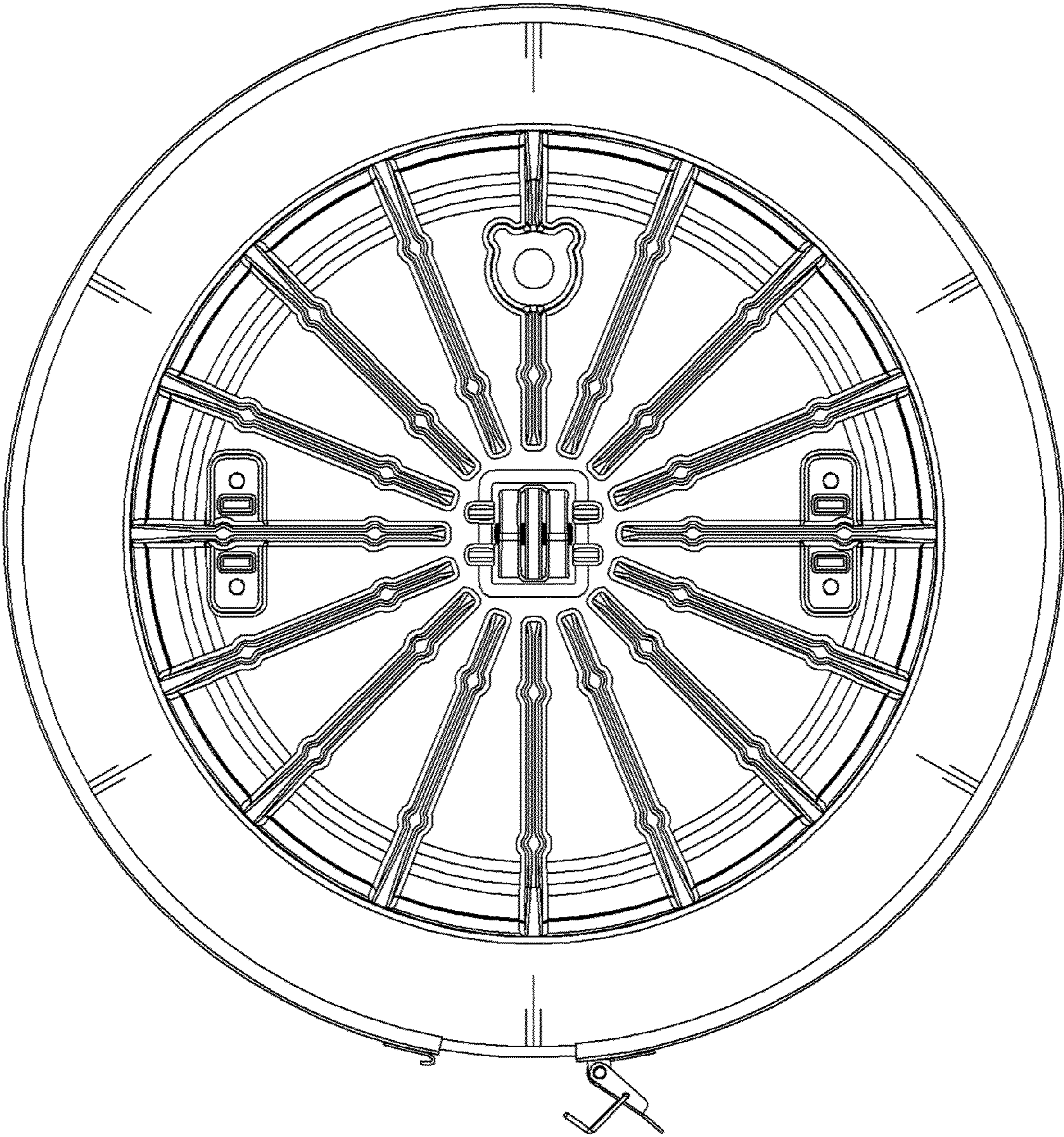


FIG. 7

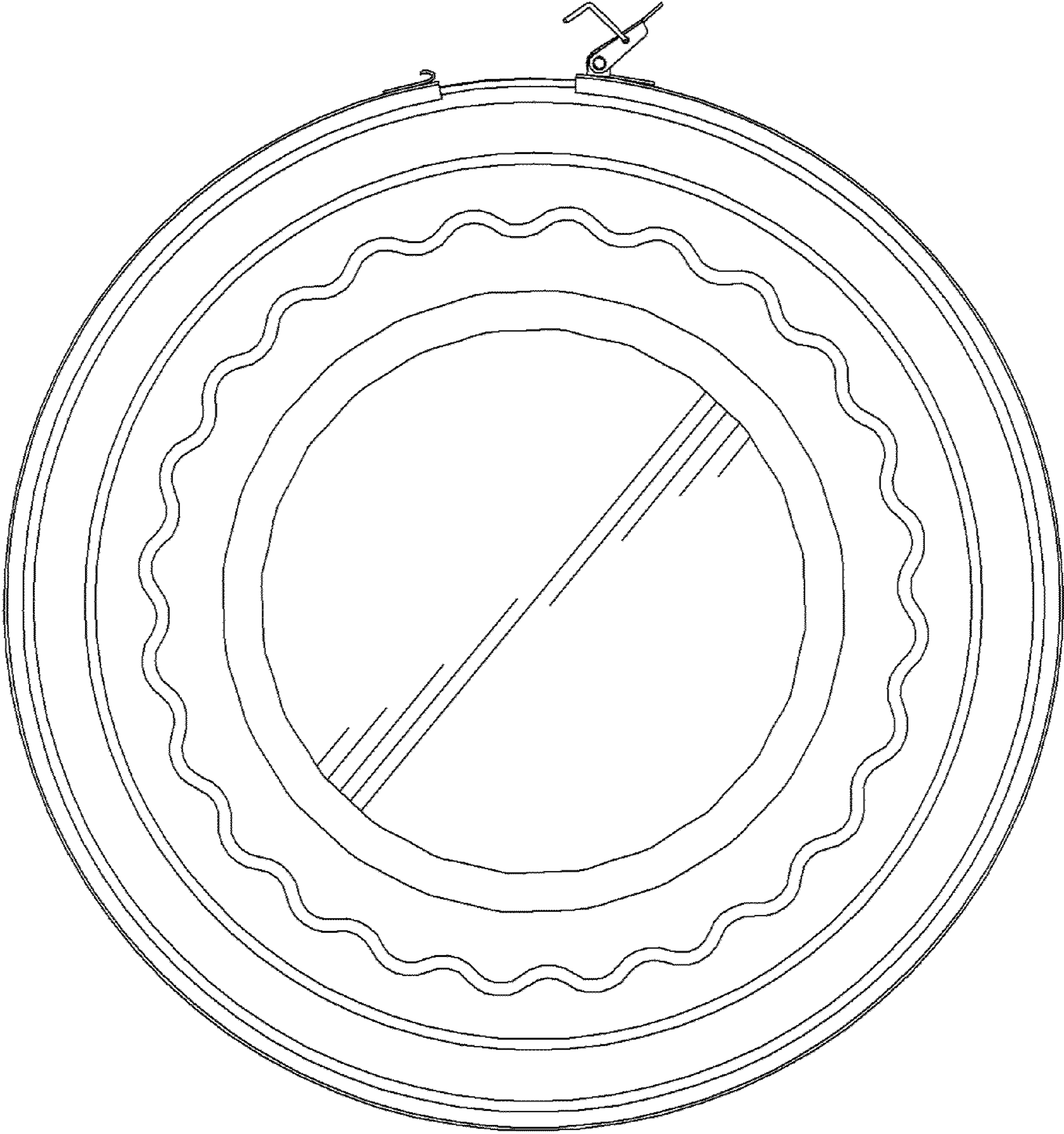


FIG. 8

