



US00D702865S

(12) **United States Design Patent**  
**Yuen**

(10) **Patent No.:** **US D702,865 S**

(45) **Date of Patent:** **\*\* Apr. 15, 2014**

(54) **DIRECTIONAL LED WORKLIGHT**

(75) Inventor: **Se Kit Yuen**, Kowloon (HK)

(73) Assignee: **John Manufacturing Ltd.**, Kowloon,  
Hong Kong (CN)

(\*\*) Term: **14 Years**

(21) Appl. No.: **29/418,776**

(22) Filed: **Apr. 20, 2012**

(30) **Foreign Application Priority Data**

Feb. 22, 2012 (CN) ..... 2012 3 0035108

(51) **LOC (10) Cl.** ..... **26-05**

(52) **U.S. Cl.**  
USPC ..... **D26/63**

(58) **Field of Classification Search**  
USPC ..... D26/60–66, 72, 85, 87, 92, 86, 102;  
362/145, 147, 269–271, 277, 282, 285,  
362/289, 287, 640, 418, 427, 264, 294, 449,  
362/268, 310, 311.01, 371–373

See application file for complete search history.

(56) **References Cited**

U.S. PATENT DOCUMENTS

D570,024 S *	5/2008	Guercio .....	D26/63
D573,285 S *	7/2008	Zettl .....	D26/63
D573,286 S *	7/2008	Zettl .....	D26/63
D581,569 S *	11/2008	Levine .....	D26/61
D606,691 S *	12/2009	Lindholm .....	D26/63
D625,870 S *	10/2010	Feigenbaum .....	D26/63
D650,505 S *	12/2011	Oka .....	D26/63
D666,346 S *	8/2012	Gebhard et al. ....	D26/63
D674,949 S *	1/2013	Georgitsis et al. ....	D26/63

\* cited by examiner

*Primary Examiner* — Brian N Vinson

(74) *Attorney, Agent, or Firm* — Rabin & Berdo, P.C.

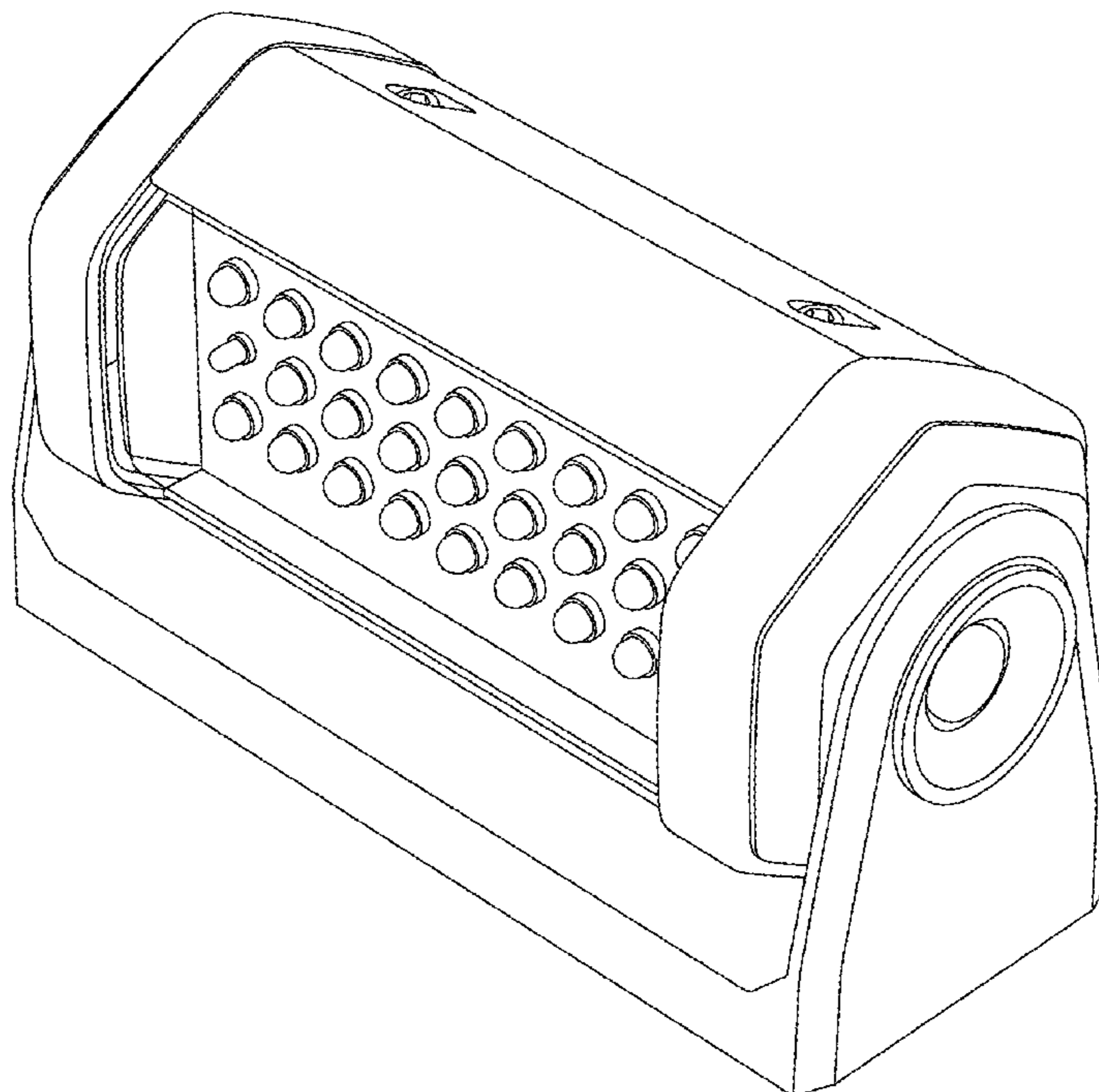
(57) **CLAIM**

The ornamental design for a directional LED worklight, as shown and described.

**DESCRIPTION**

FIG. 1 is a front view of a directional LED worklight showing my new design;  
FIG. 2 is a rear view thereof;  
FIG. 3 is a left side view thereof;  
FIG. 4 is a right side view thereof;  
FIG. 5 is a top plan view thereof;  
FIG. 6 is a bottom plan view thereof;  
FIG. 7 is a perspective view thereof; and,  
FIG. 8 is another perspective view thereof.

**1 Claim, 6 Drawing Sheets**



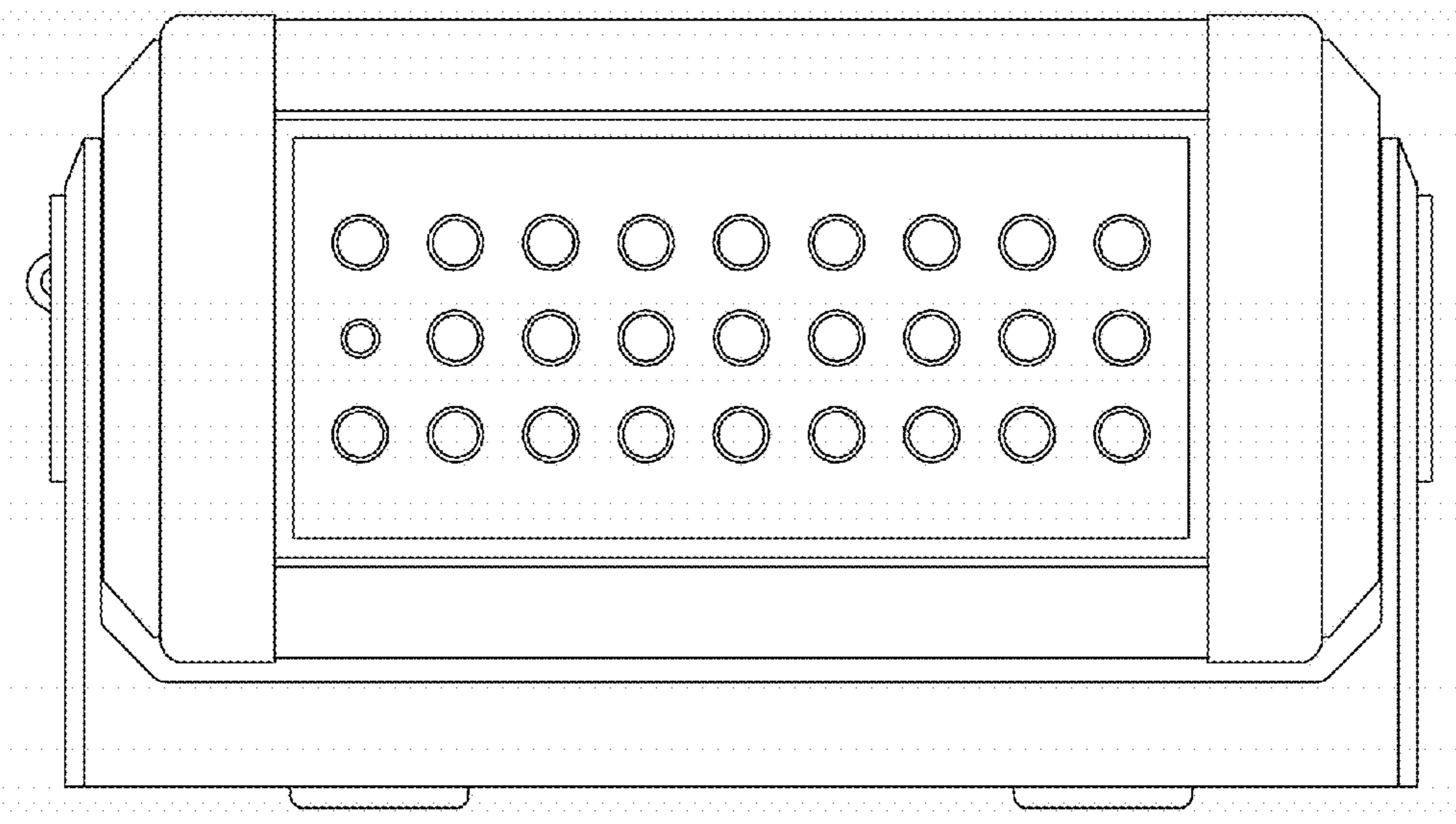


Fig. 1

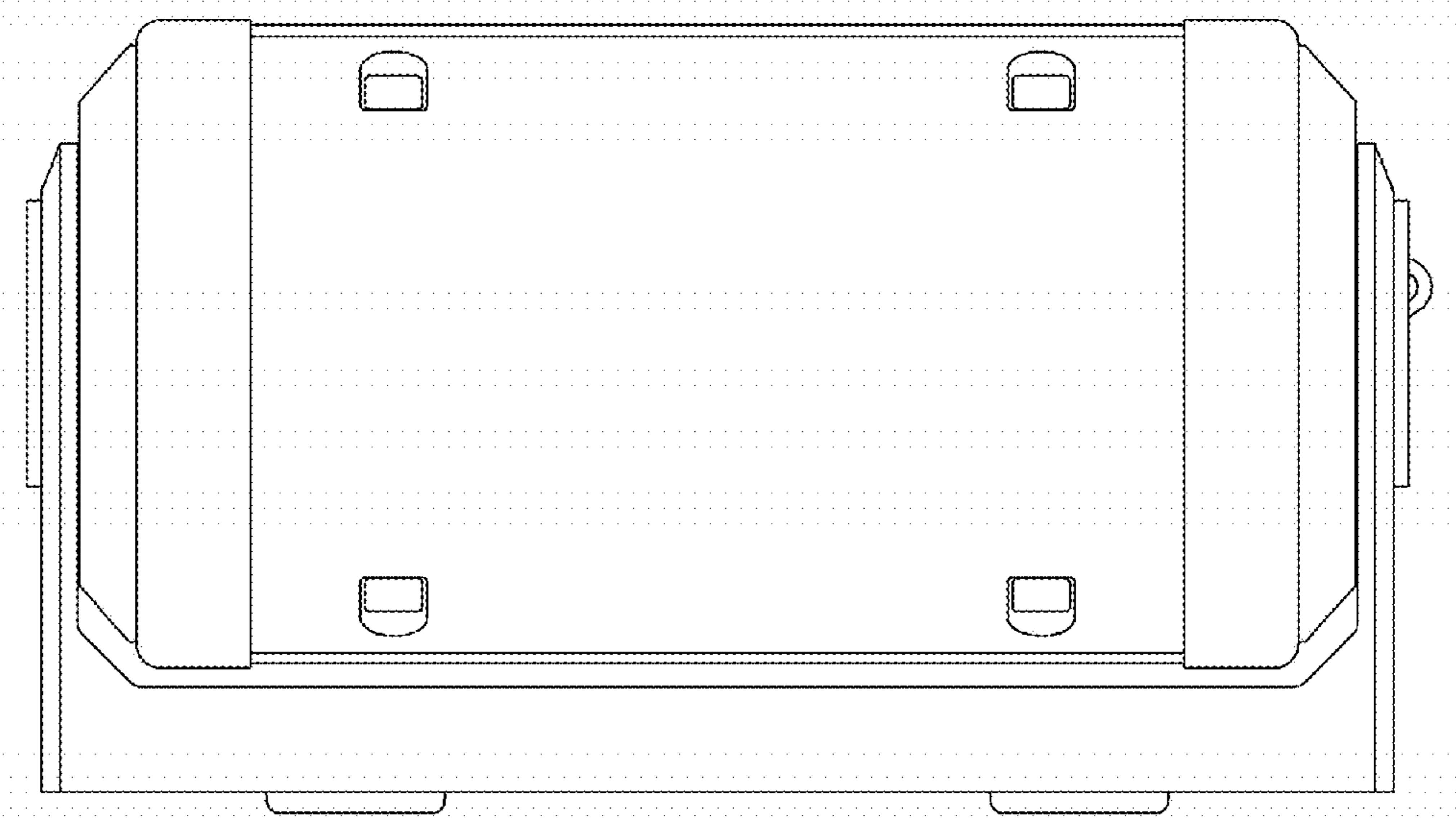


Fig. 2

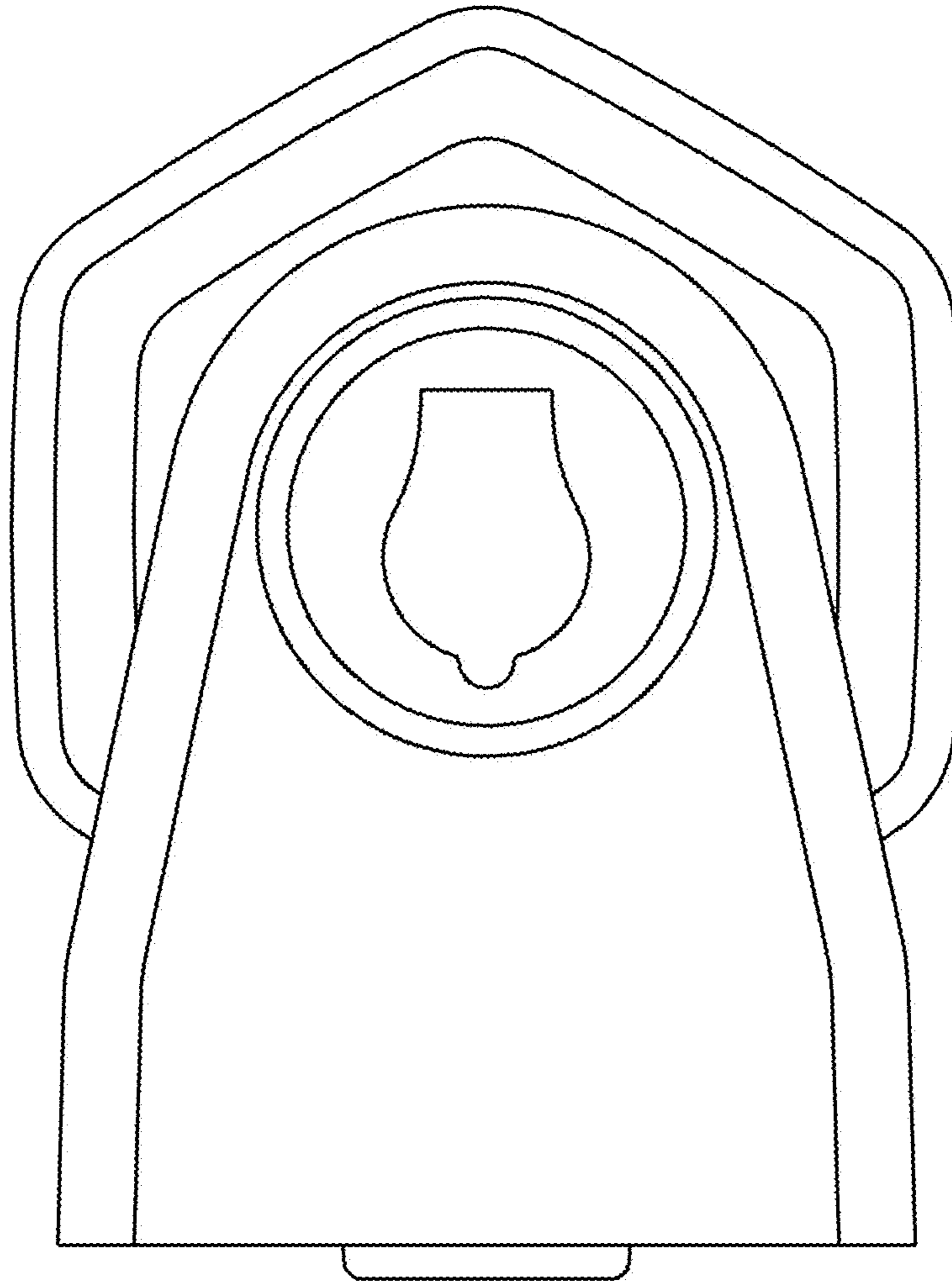


Fig. 3

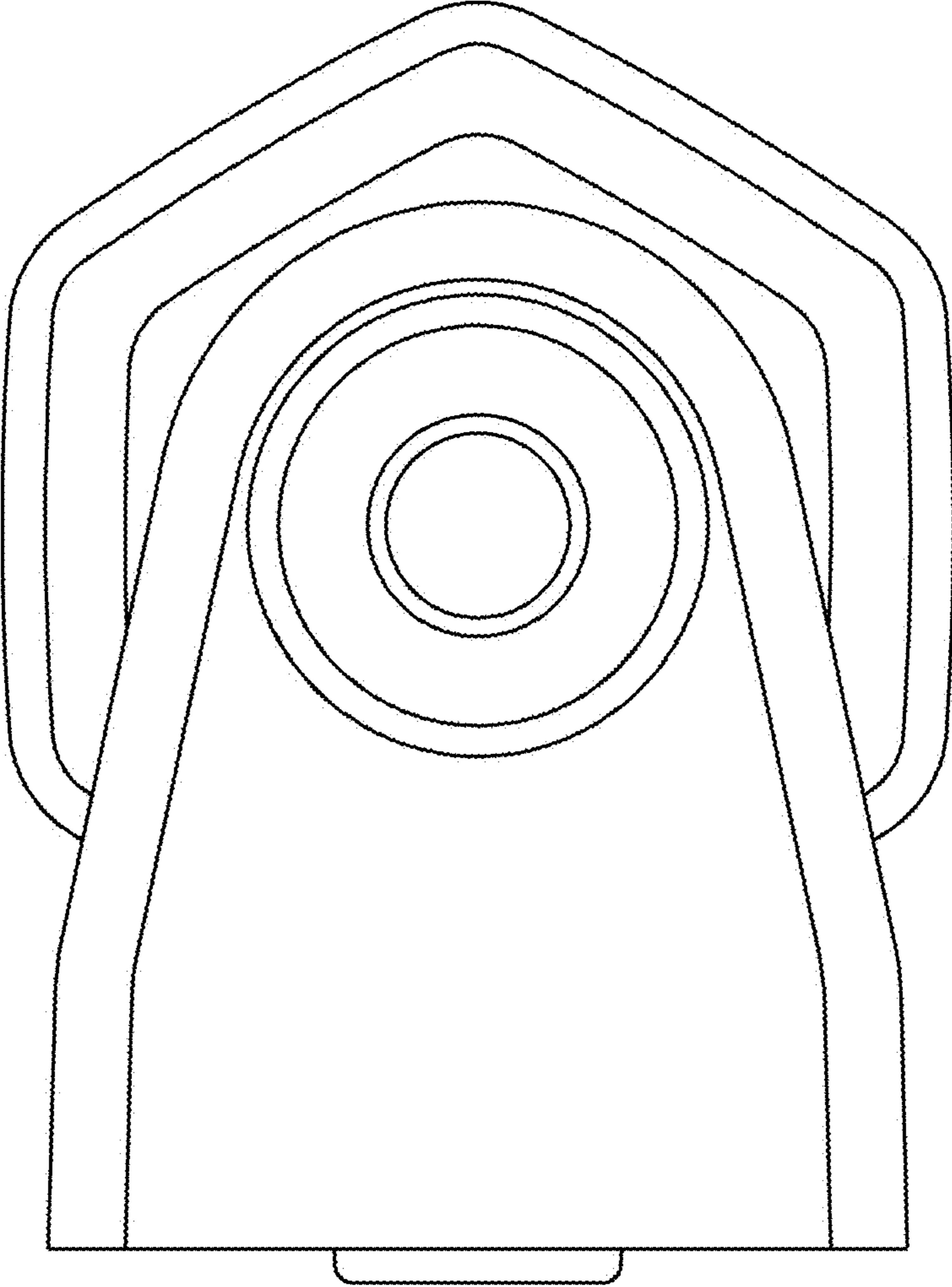


Fig. 4

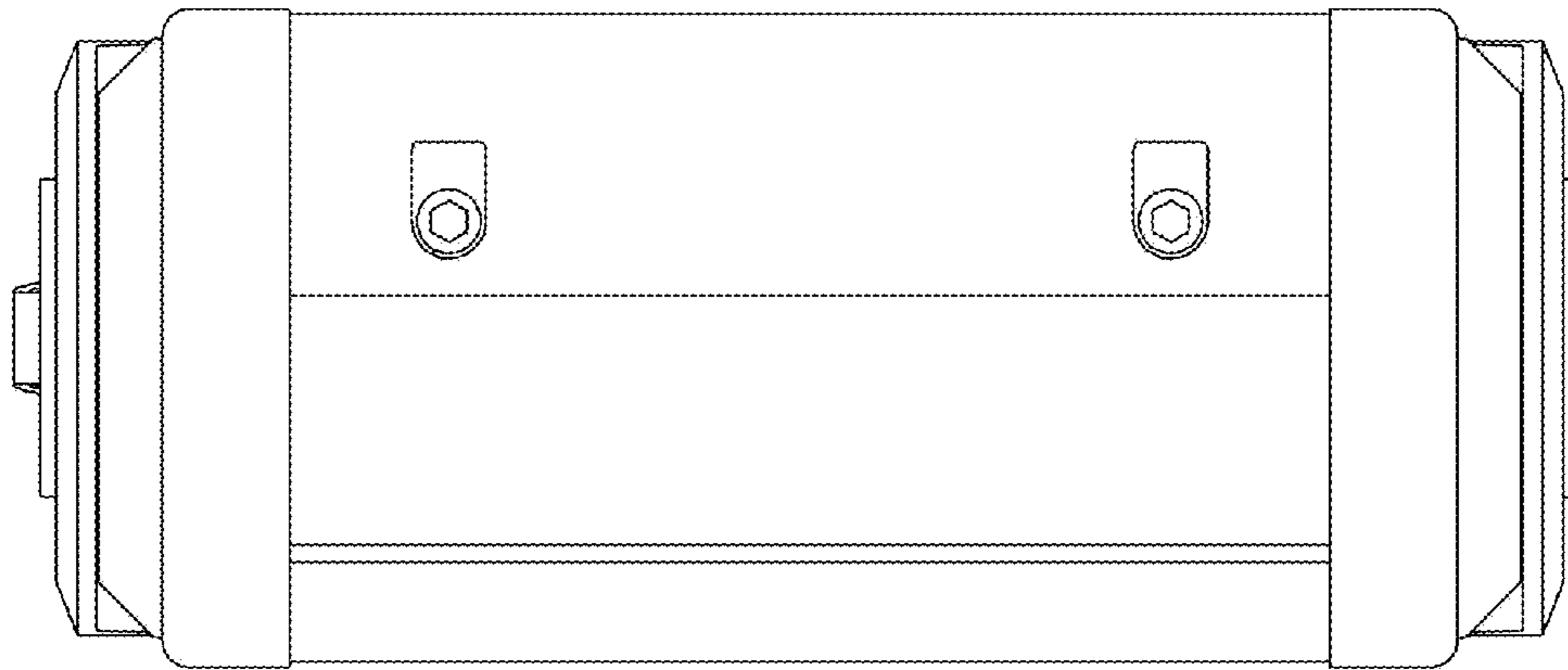


Fig. 5

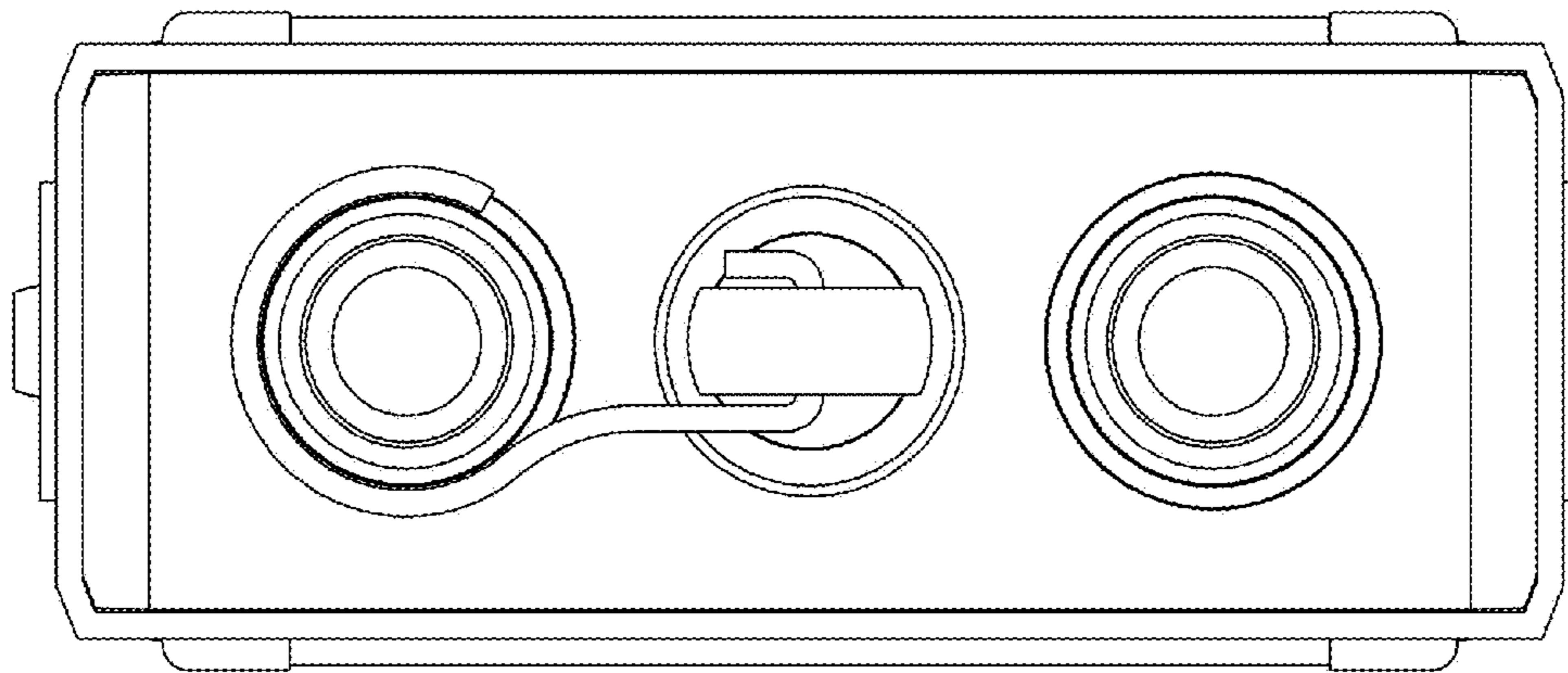


Fig. 6

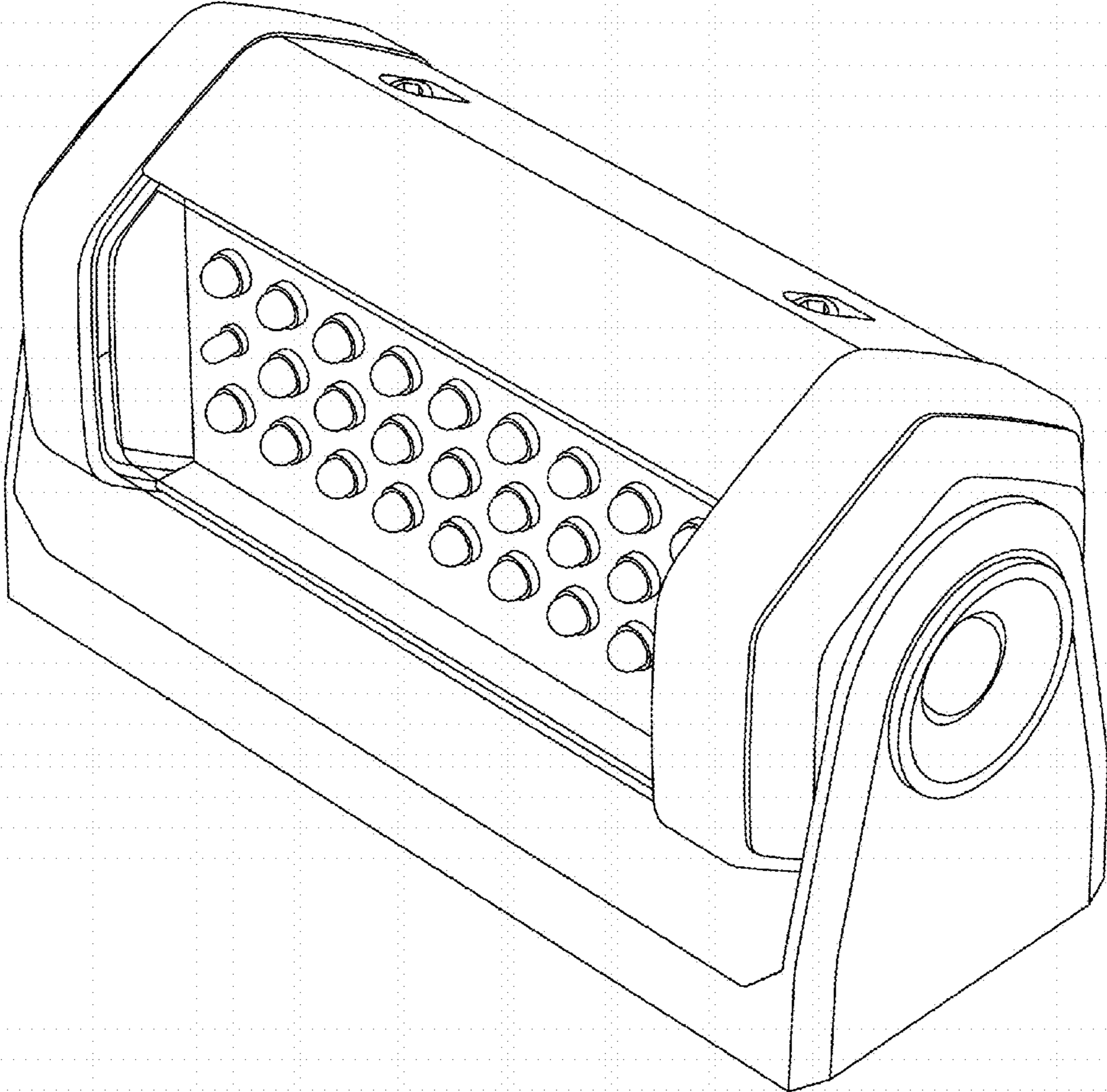


Fig. 7

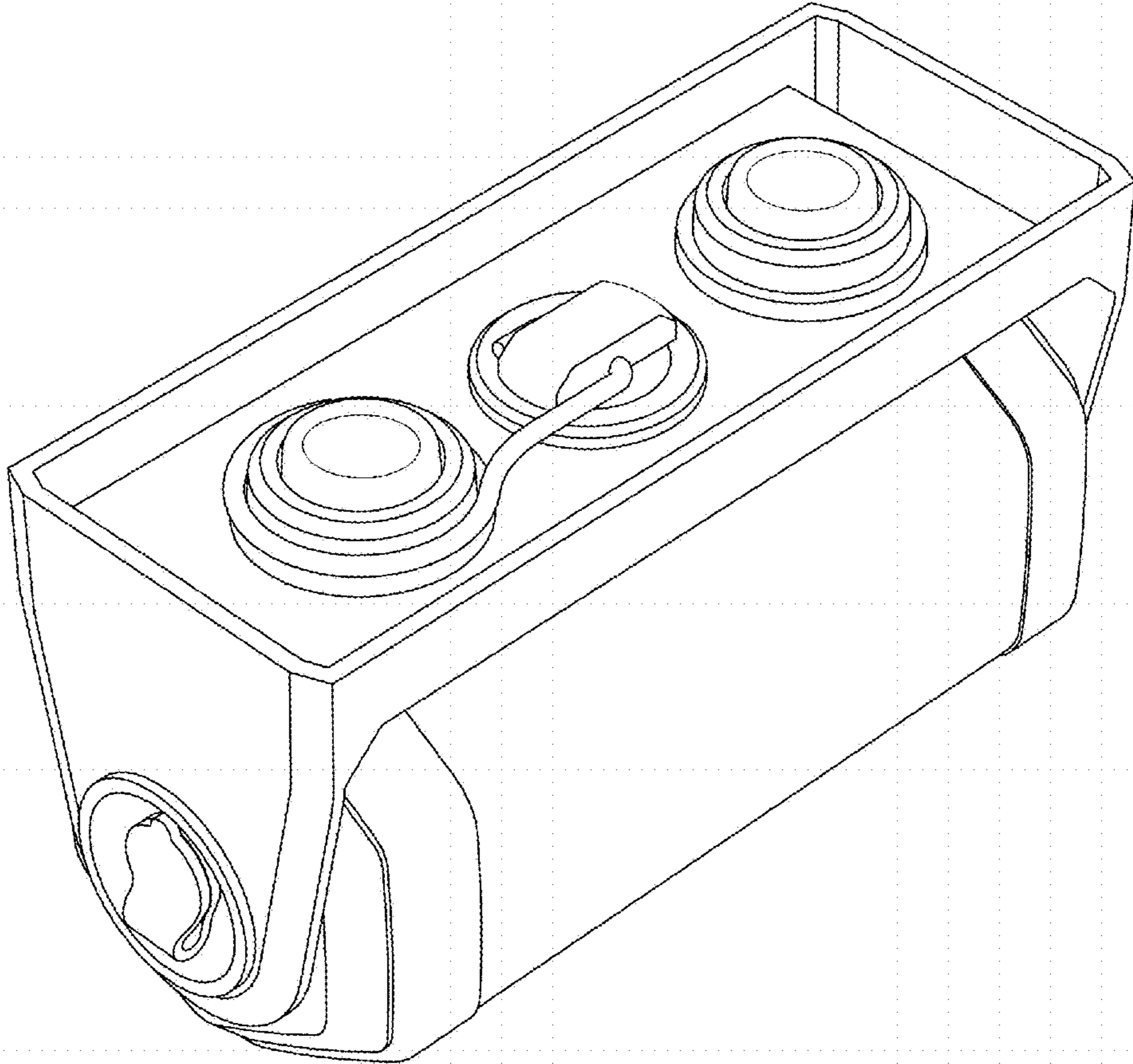


Fig. 8