



US00D702863S

(12) **United States Design Patent**
Kotsis

(10) **Patent No.:** **US D702,863 S**

(45) **Date of Patent:** **** Apr. 15, 2014**

(54) **LIGHTING DEVICE**

(71) Applicant: **Eveready Battery Company, Inc.**, St. Louis, MO (US)

(72) Inventor: **Angelo Kotsis**, Marrickville (AU)

(73) Assignee: **Eveready Battery Co., Inc.**, St. Louis, MO (US)

(**) Term: **14 Years**

(21) Appl. No.: **29/445,910**

(22) Filed: **Feb. 19, 2013**

(30) **Foreign Application Priority Data**

Aug. 21, 2012 (AU) 14122/2012

(51) **LOC (10) Cl.** **26-02**

(52) **U.S. Cl.**
USPC **D26/37**

(58) **Field of Classification Search**
USPC D26/37, 38, 39, 41, 46, 50, 51, 44, 60;
362/157, 158, 183, 184, 194-196, 202,
362/201, 207, 208
See application file for complete search history.

(56) **References Cited**

U.S. PATENT DOCUMENTS

D214,943 S * 8/1969 Zapolski D26/37
D253,194 S * 10/1979 Watley D26/50
D265,593 S * 7/1982 Mann D26/37
D267,352 S * 12/1982 Suzuki D26/118

D275,523 S * 9/1984 Ader D26/39
D361,633 S * 8/1995 Chabria D26/37
D364,476 S * 11/1995 Pettersen D26/50
D437,067 S * 1/2001 Lam D26/39
D488,140 S * 4/2004 Hanselman et al. D14/129
D548,384 S * 8/2007 Komar D26/60
D617,931 S * 6/2010 Chen D26/63
D633,635 S * 3/2011 Poon D26/60
D680,673 S * 4/2013 Levine D26/67
D682,451 S * 5/2013 Hardy D26/60

* cited by examiner

Primary Examiner — Ian Simmons

Assistant Examiner — Carissa C Fitts

(74) *Attorney, Agent, or Firm* — Russell H. Toye, Jr.

(57) **CLAIM**

The ornamental design for a lighting device, as shown and described.

DESCRIPTION

FIG. 1 is a front perspective view of a lighting device showing my design;

FIG. 2 is a rear perspective view of the design.

FIG. 3 is a front view of the design.

FIG. 4 is a rear view of the design.

FIG. 5 is a left side view of the design.

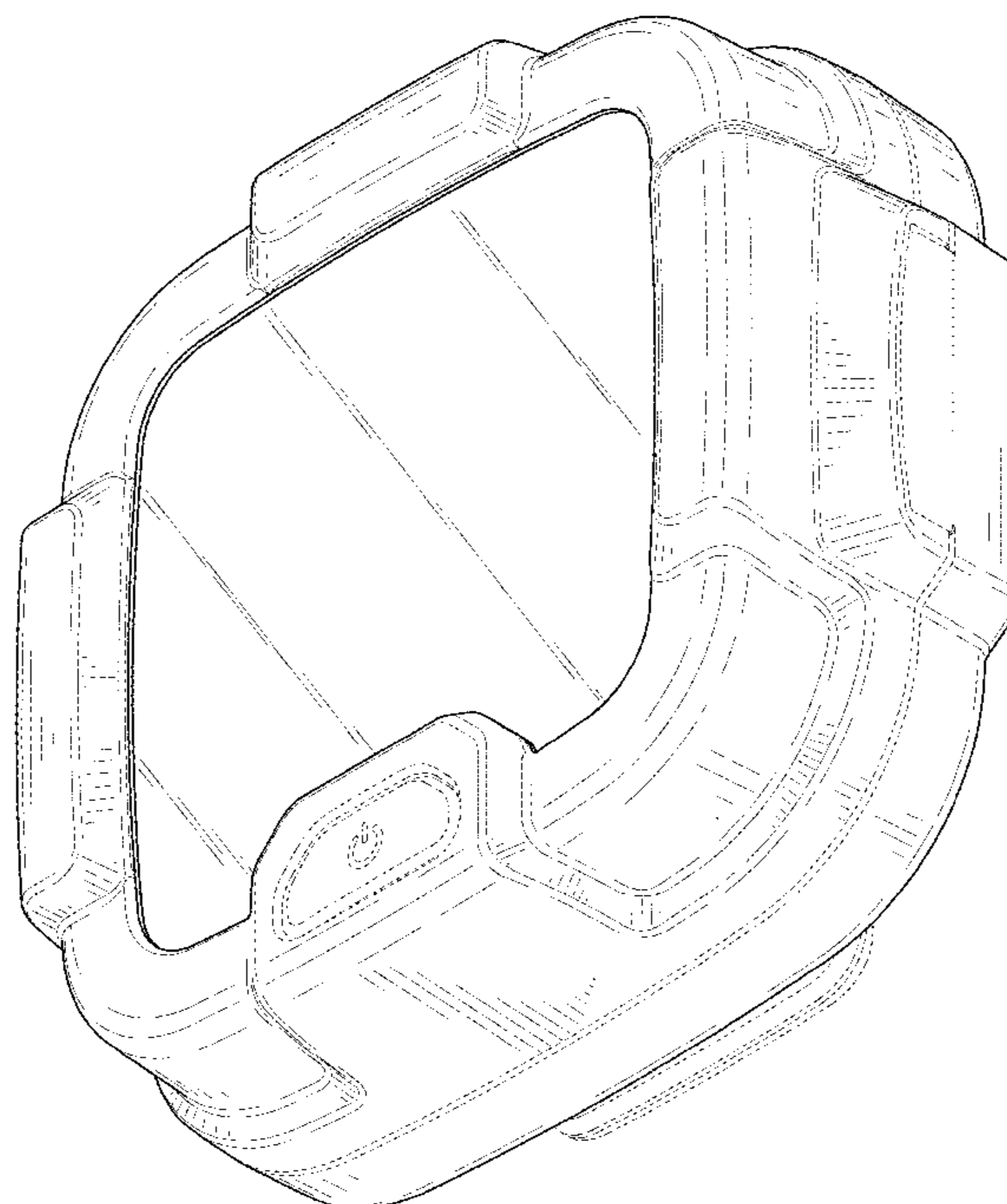
FIG. 6 is a right side view of the design.

FIG. 7 is a top view of the design; and,

FIG. 8 is a bottom view of the design.

Any broken line(s) shown are for illustrative purposes only and form no part of the claimed design.

1 Claim, 6 Drawing Sheets



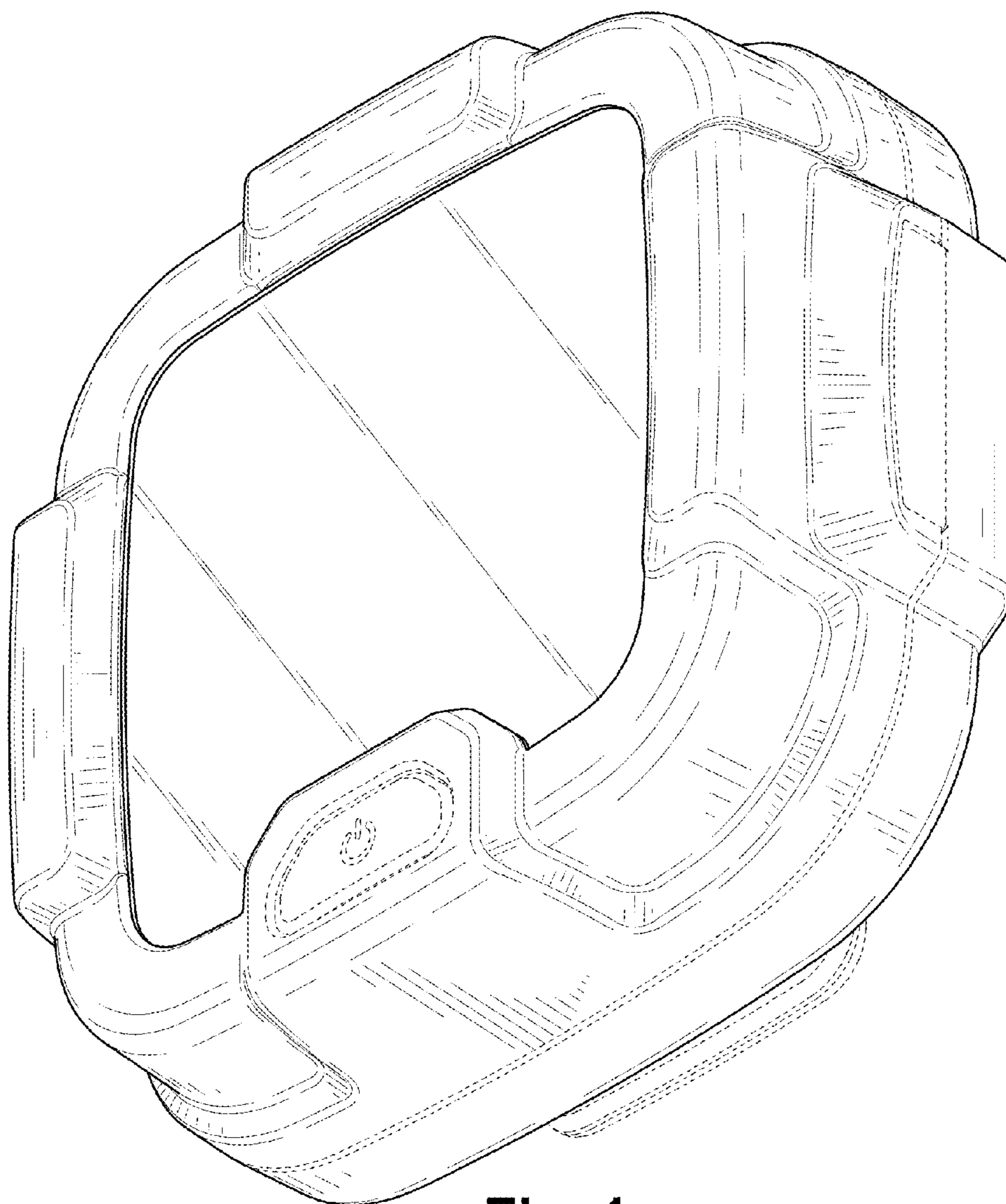


Fig. 1

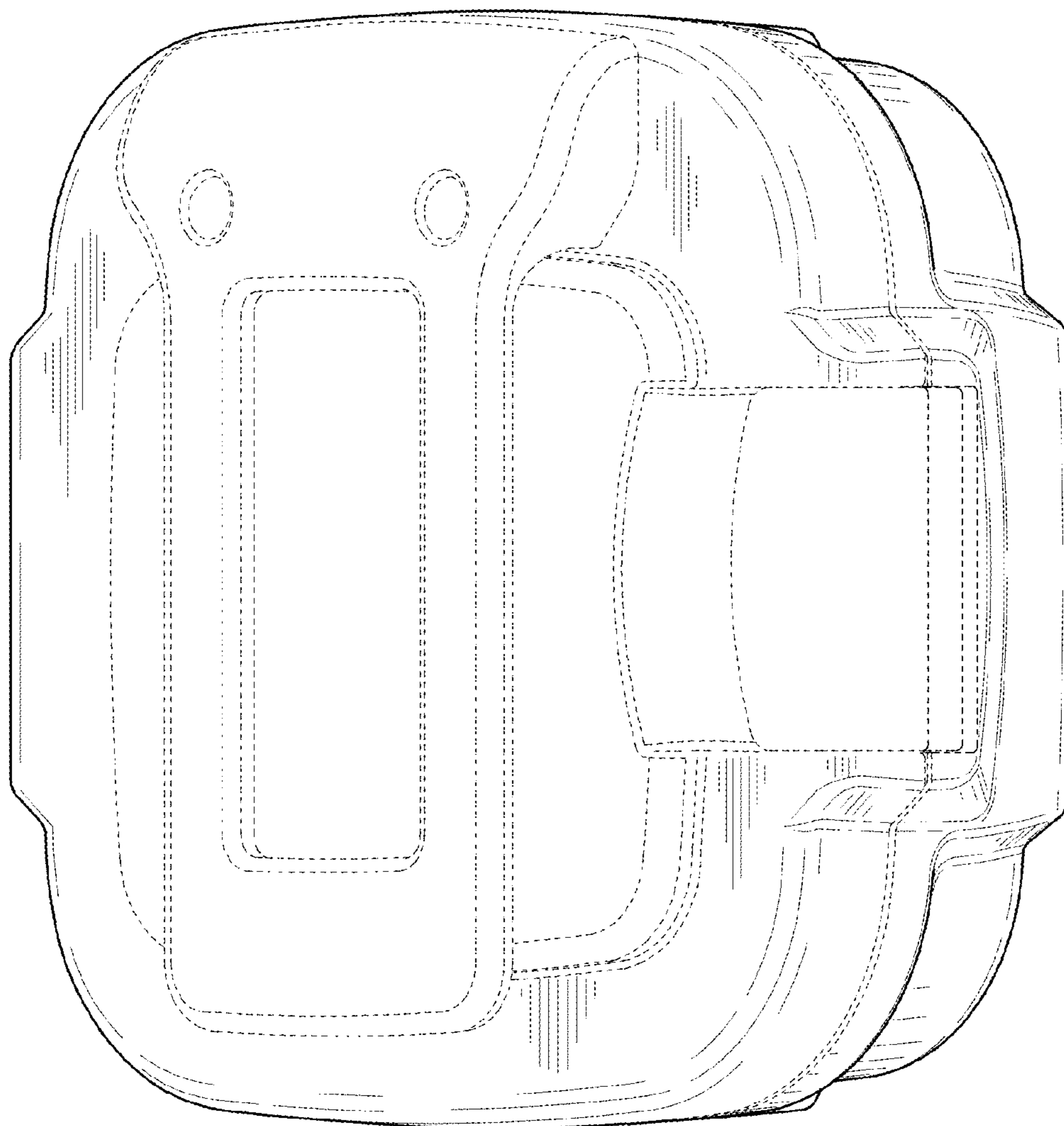


Fig. 2

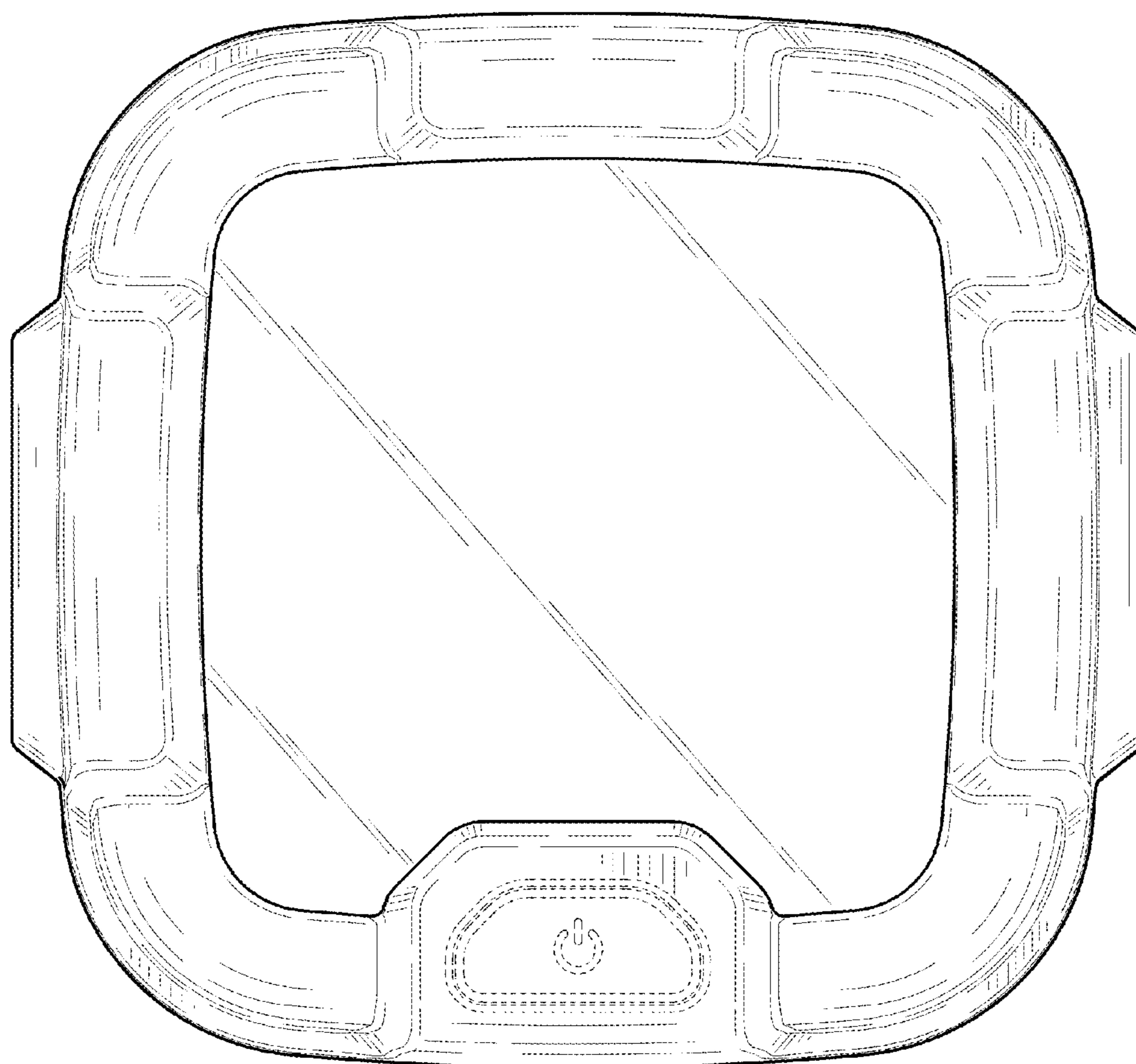


Fig. 3

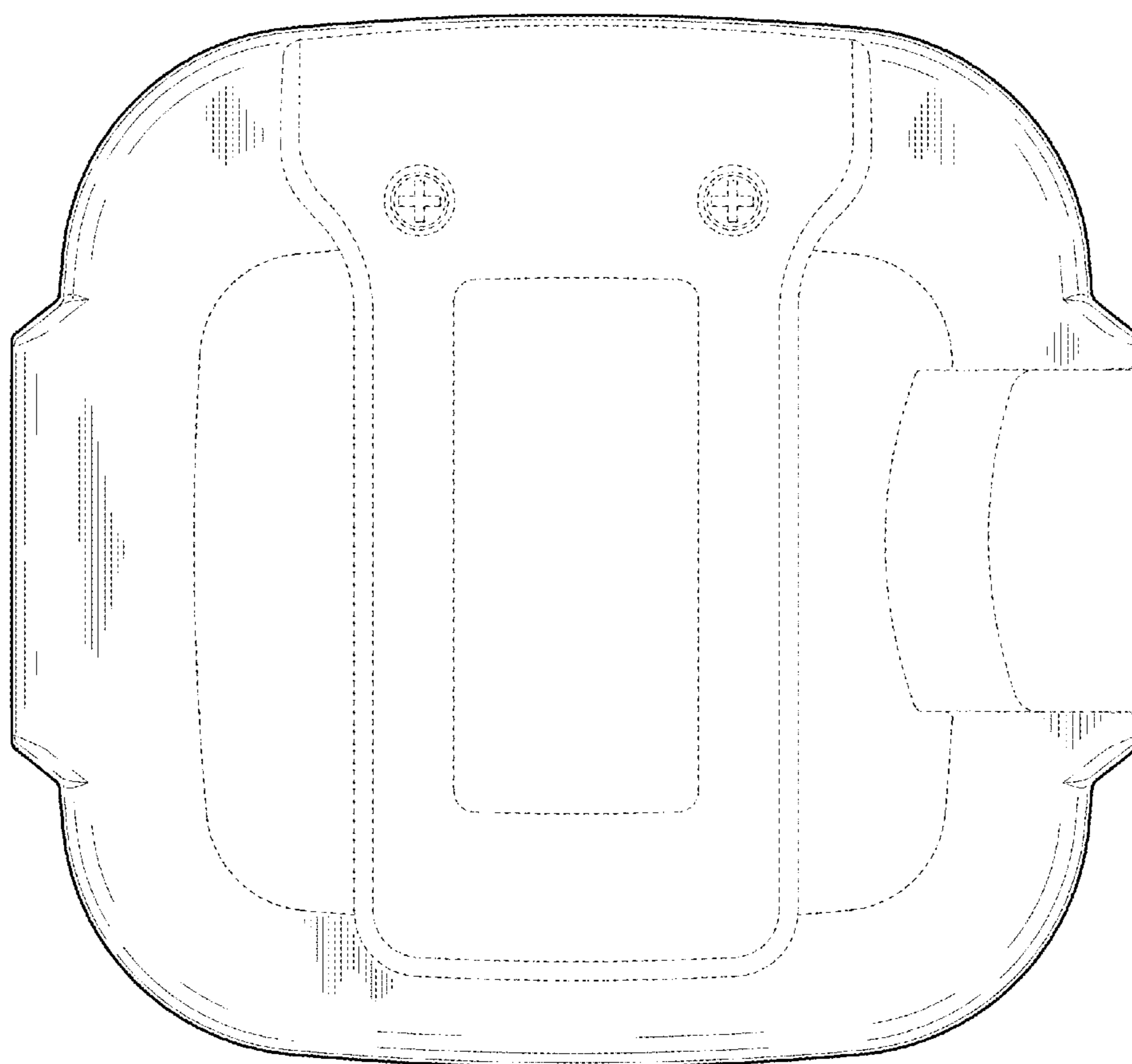


Fig. 4

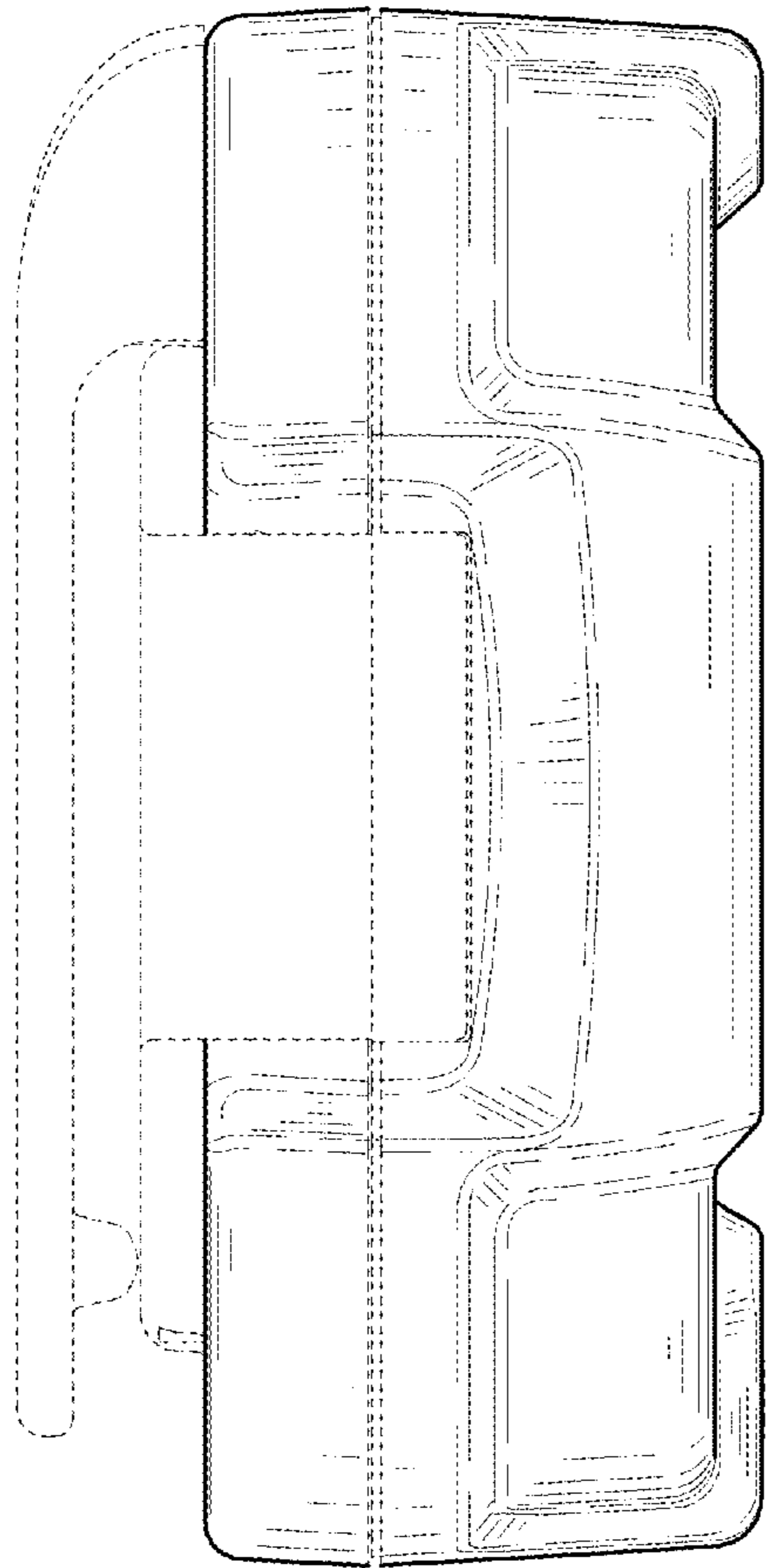


Fig. 5

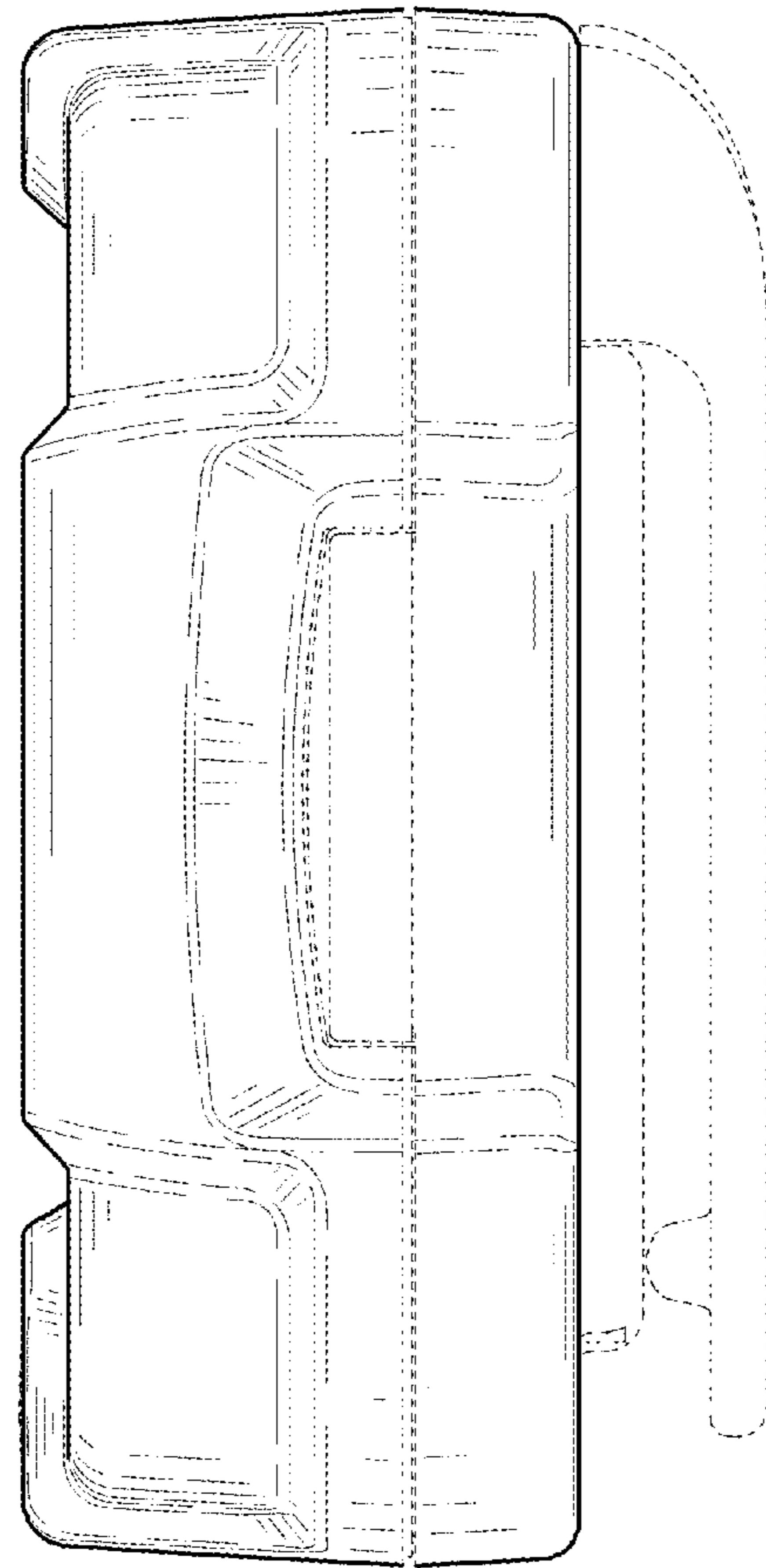


Fig. 6

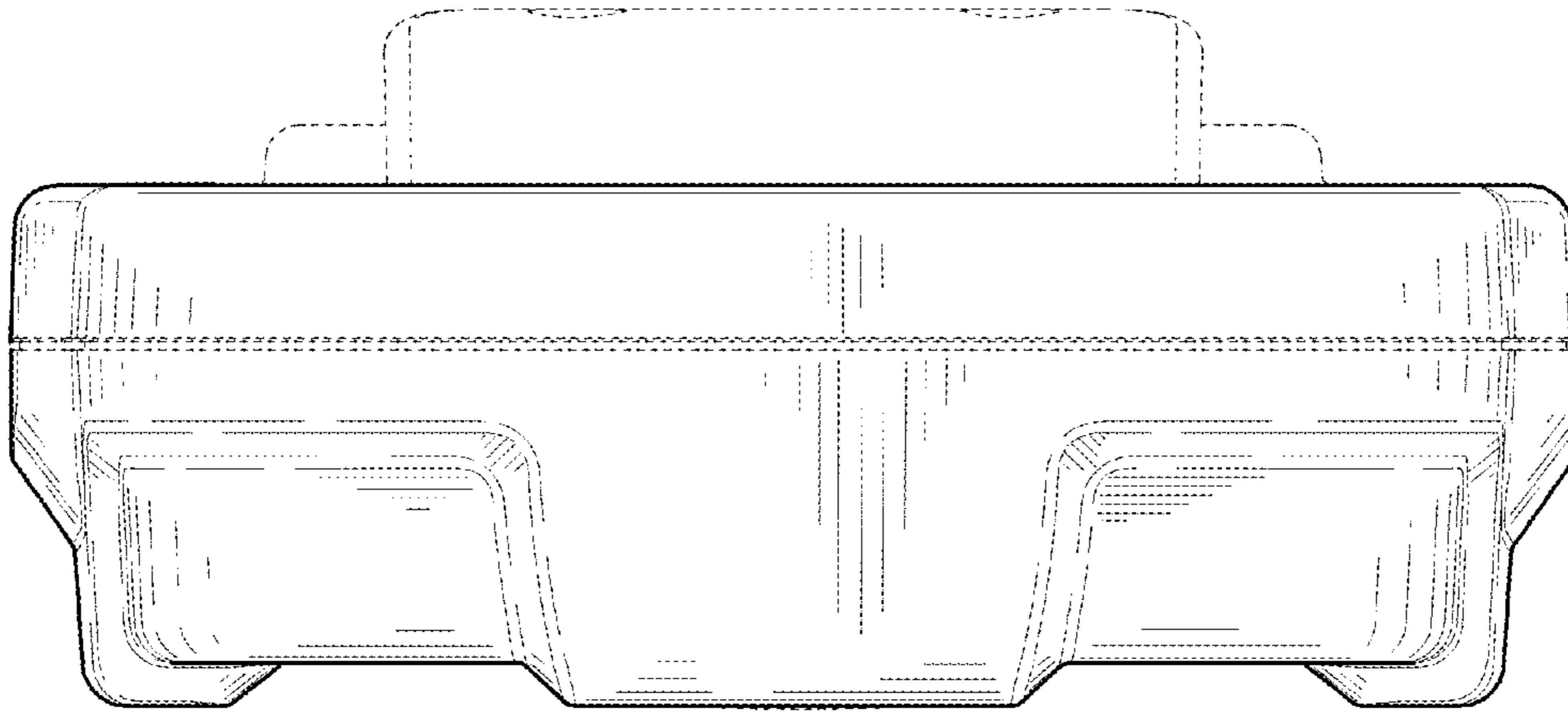


Fig. 7

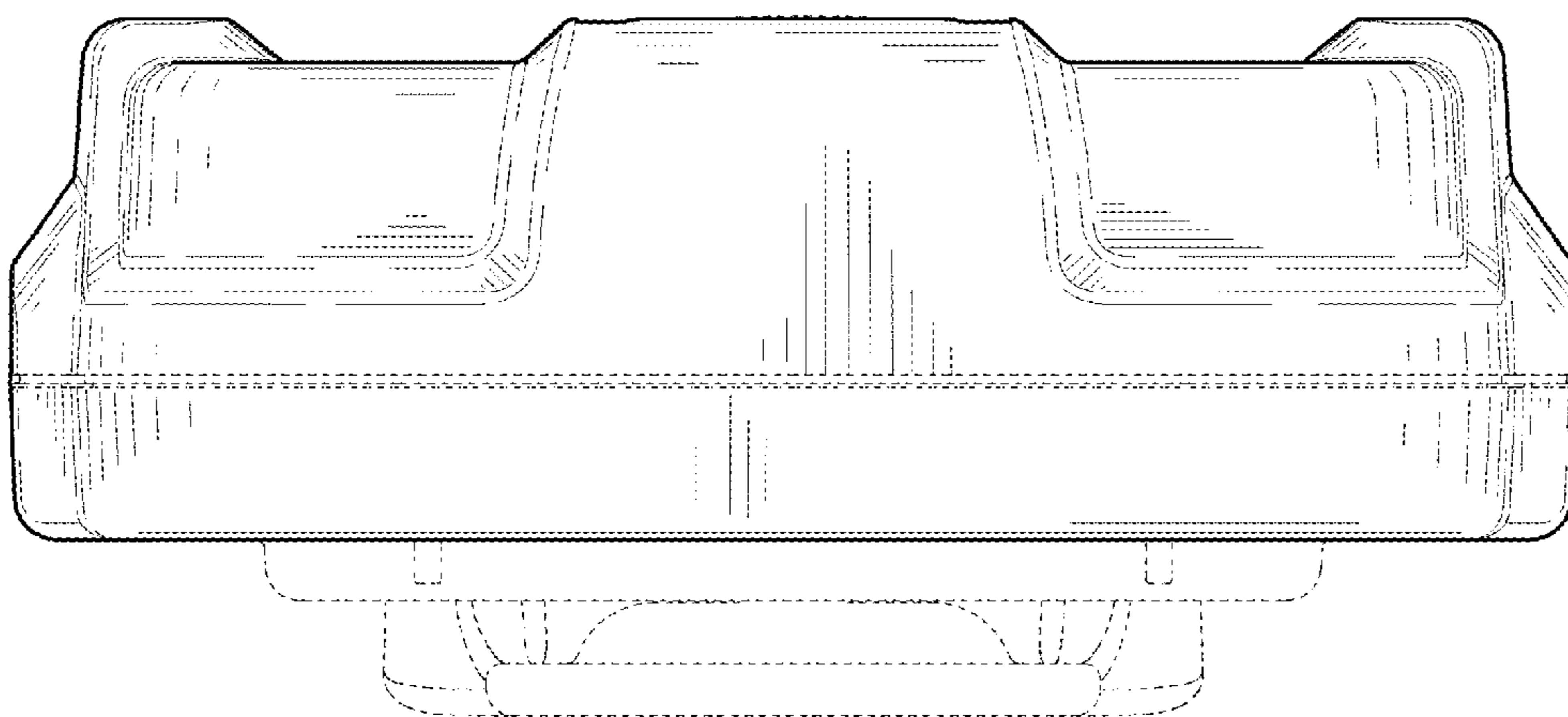


Fig. 8