



US00D702862S

(12) **United States Design Patent**
Bukkems et al.

(10) **Patent No.:** **US D702,862 S**

(45) **Date of Patent:** **** Apr. 15, 2014**

(54) **LED BULB**

(75) Inventors: **Peter Johannes Martinus Bukkems**,
Deurne (NL); **Johan Petrus Maria**
Ansems, Hulsel (NL); **Joris Hubertus**
Antonius Hagelaar, Nuenen (NL);
Simon Eme Kadijk, Veldhoven (NL)

(73) Assignee: **Koninklijke Philips N.V.**, Eindhoven
(NL)

(**) Term: **14 Years**

(21) Appl. No.: **29/431,429**

(22) Filed: **Sep. 7, 2012**

(30) **Foreign Application Priority Data**

Mar. 7, 2012 (EM) 002004358-0003

(51) **LOC (10) Cl.** **26-04**

(52) **U.S. Cl.**
USPC **D26/2**

(58) **Field of Classification Search**
USPC D26/1-4; 313/313, 315, 316, 317, 318,
313/493; 315/52, 53, 56, 57, 58

See application file for complete search history.

(56) **References Cited**

U.S. PATENT DOCUMENTS

D433,167 S *	10/2000	Yim	D26/2
D463,584 S *	9/2002	Yim	D26/2
D535,038 S *	1/2007	Egawa et al.	D26/2
D601,278 S *	9/2009	Takahashi	D26/2
D616,120 S *	5/2010	Wada et al.	D26/2
D646,809 S *	10/2011	Shi	D26/2
D688,395 S *	8/2013	Bukkems et al.	D26/2

* cited by examiner

Primary Examiner — Marcus Jackson

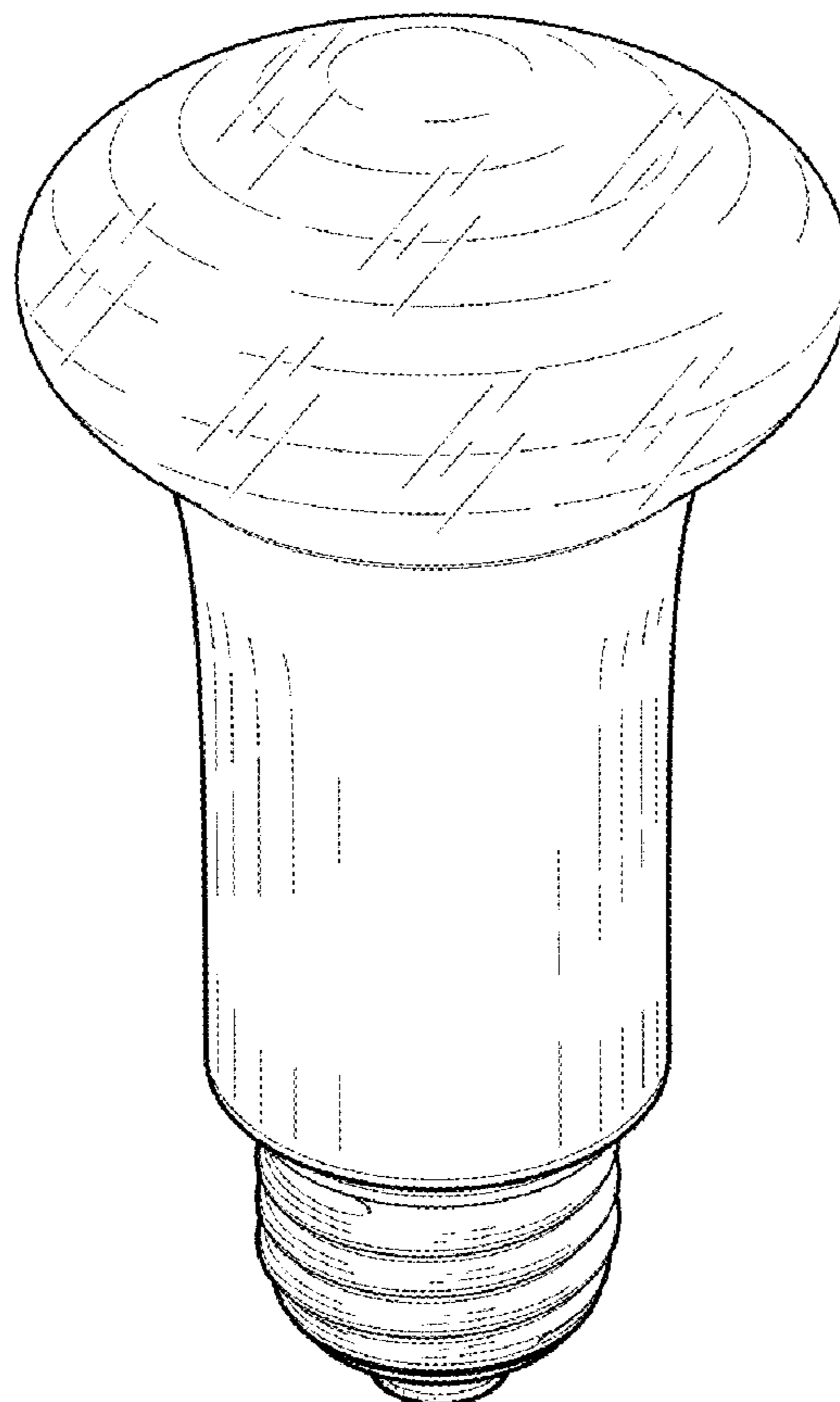
(57) **CLAIM**

The ornamental design for a LED bulb, as shown.

DESCRIPTION

FIG. 1 is a perspective view showing my design;
FIG. 2 is a front elevational view thereof;
FIG. 3 is a rear elevational view thereof;
FIG. 4 is a right side elevational view thereof;
FIG. 5 is a left side elevational view thereof;
FIG. 6 is a top plan view thereof; and,
FIG. 7 is a bottom plan view thereof.

1 Claim, 4 Drawing Sheets



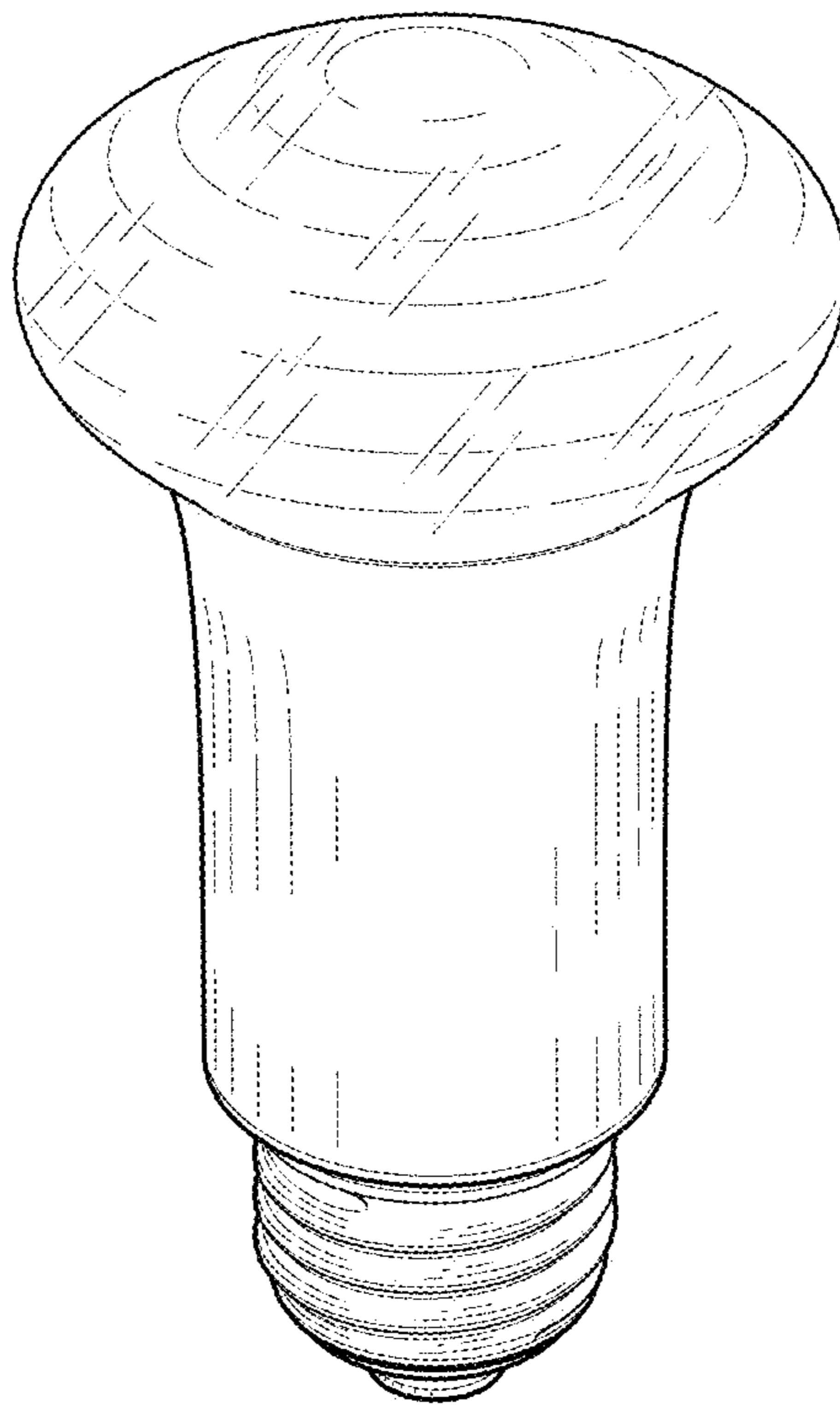


FIG. 1

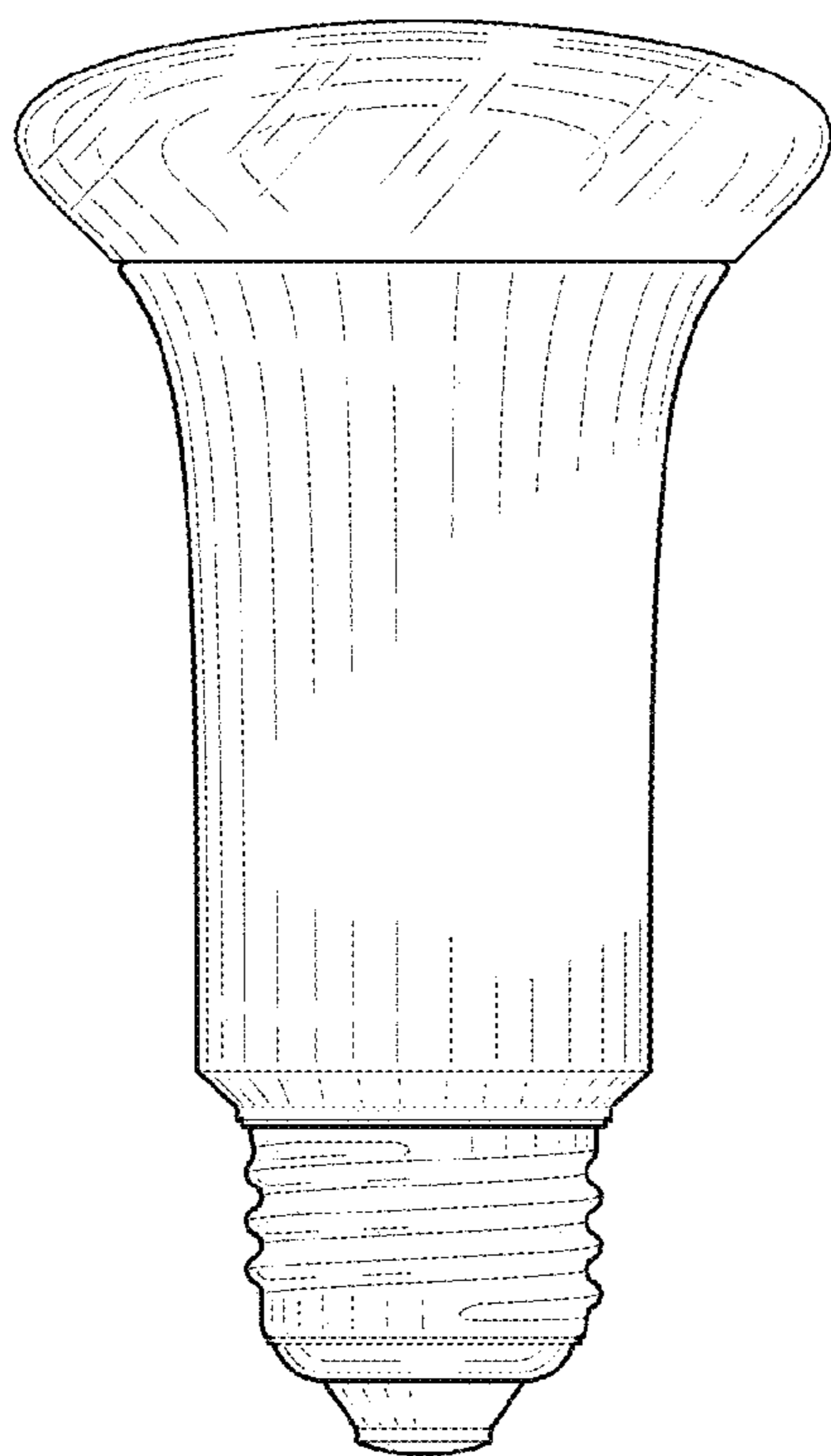


FIG. 2

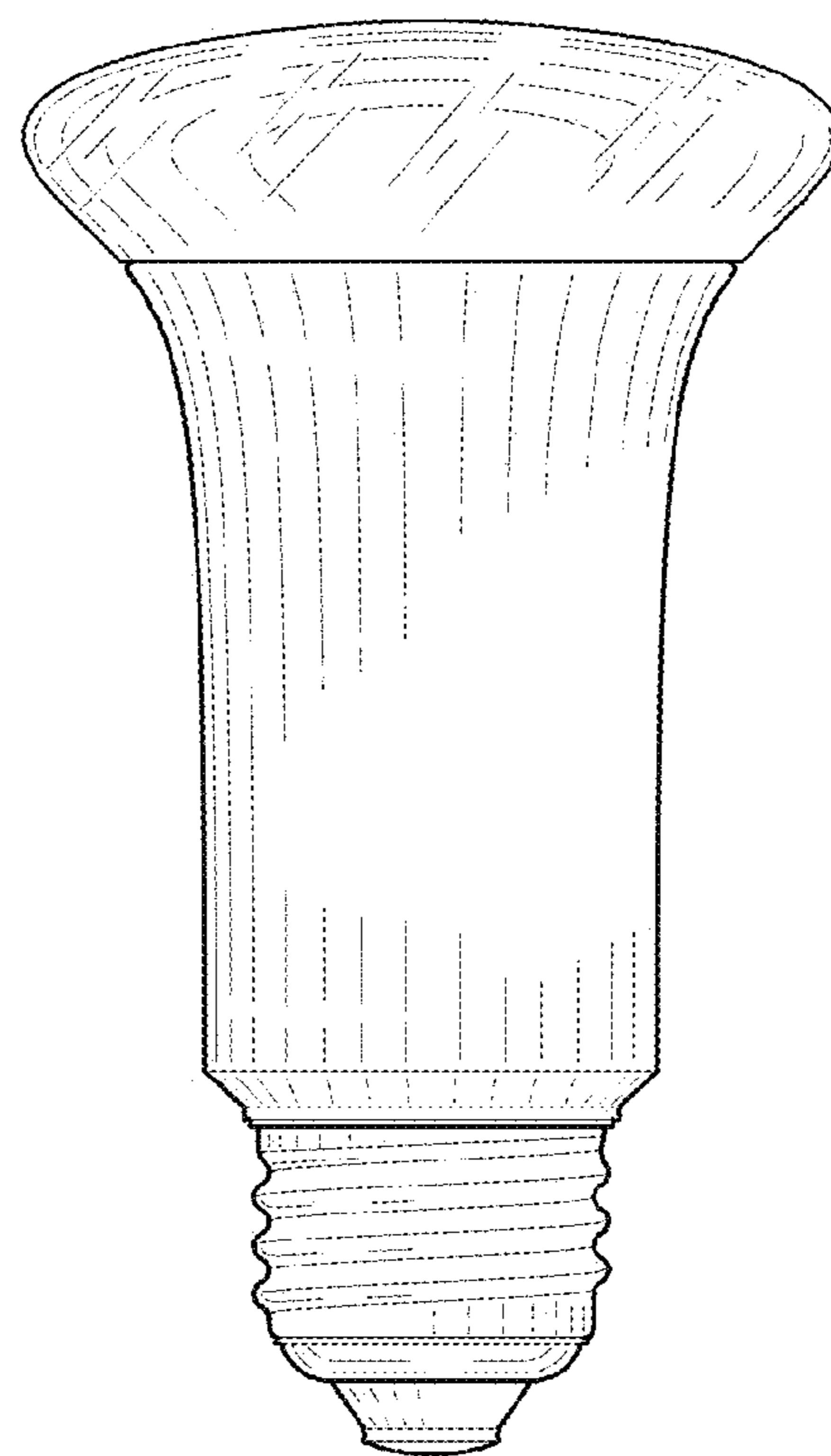


FIG. 3

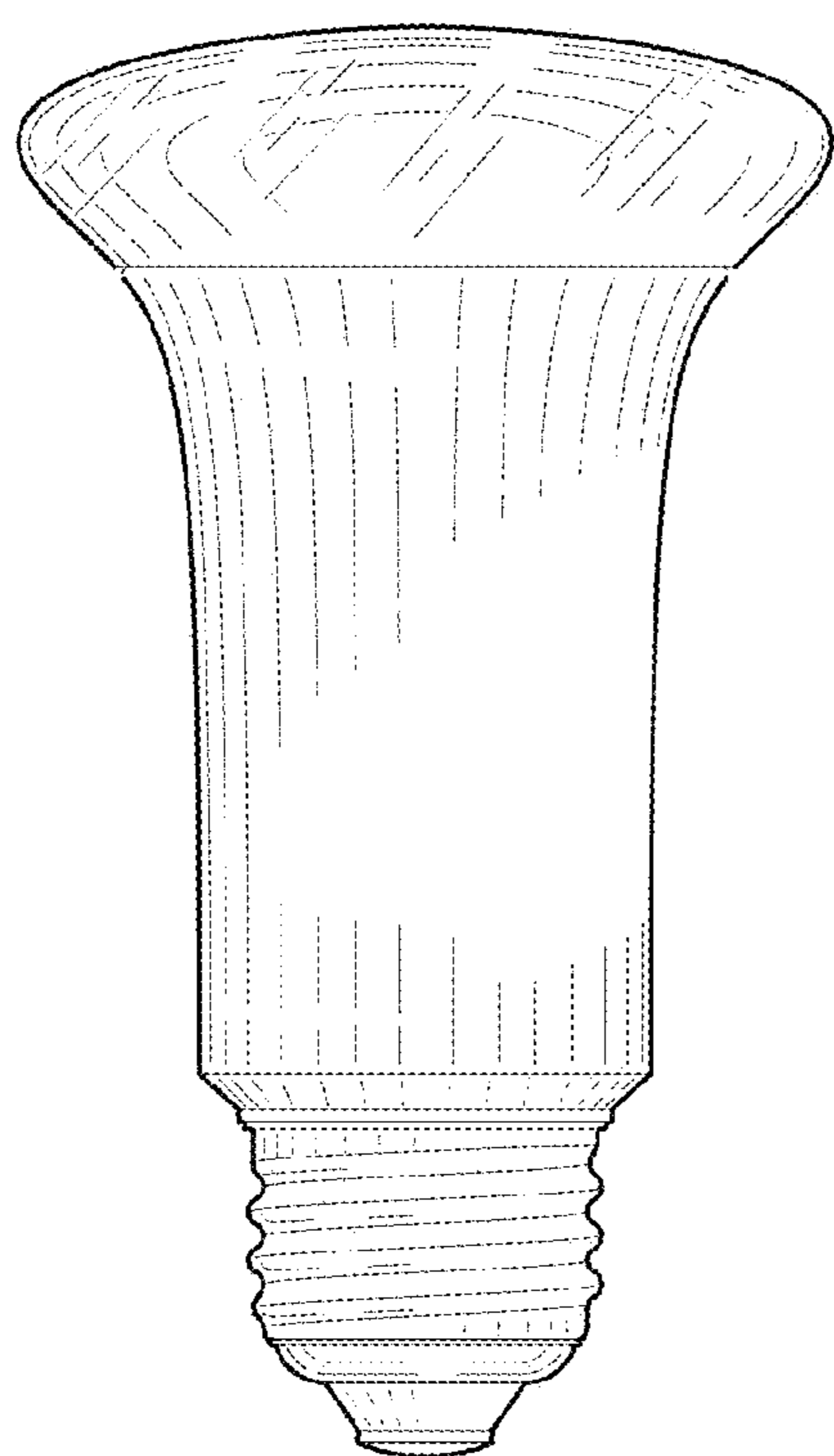


FIG. 4

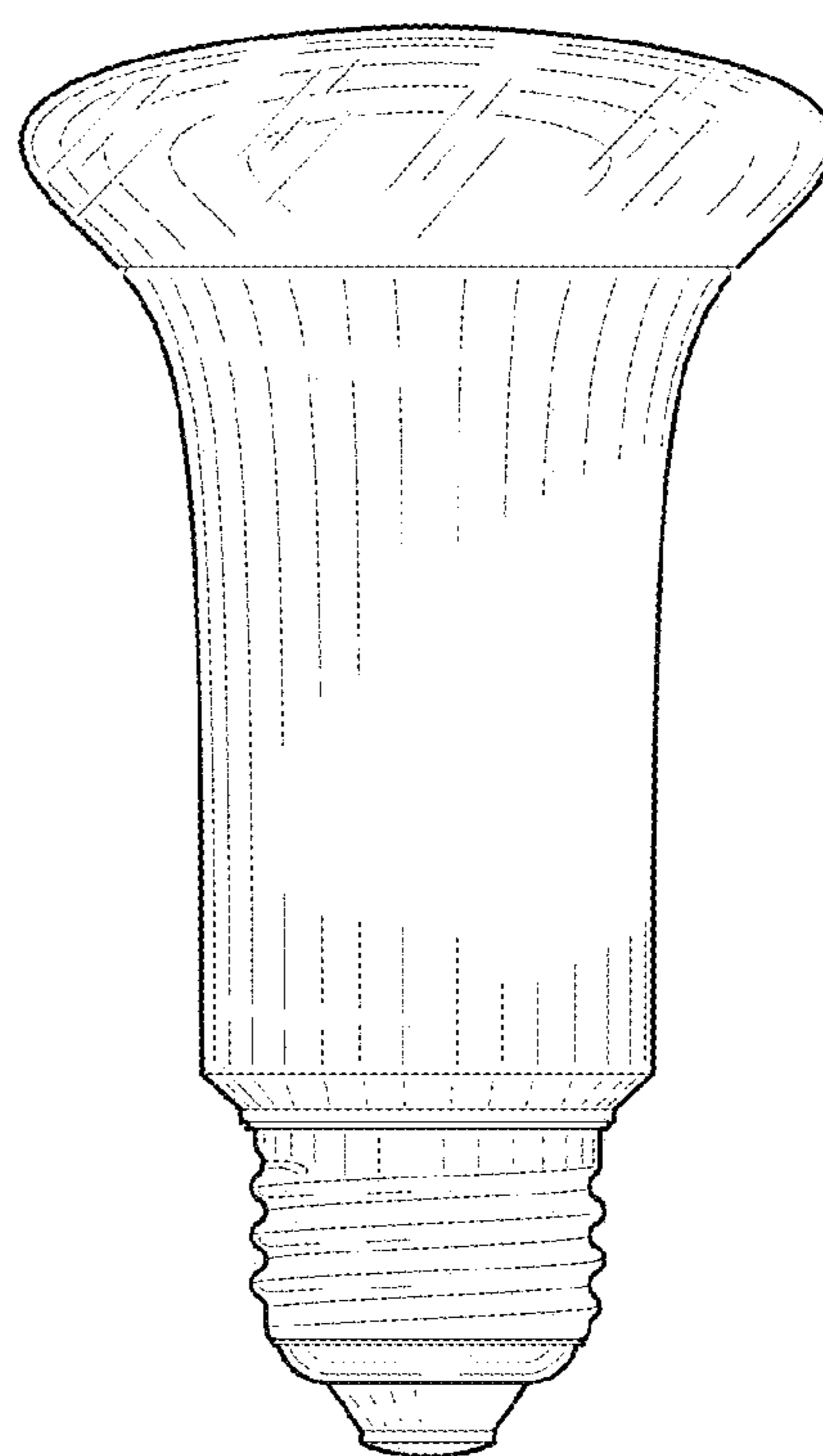


FIG. 5

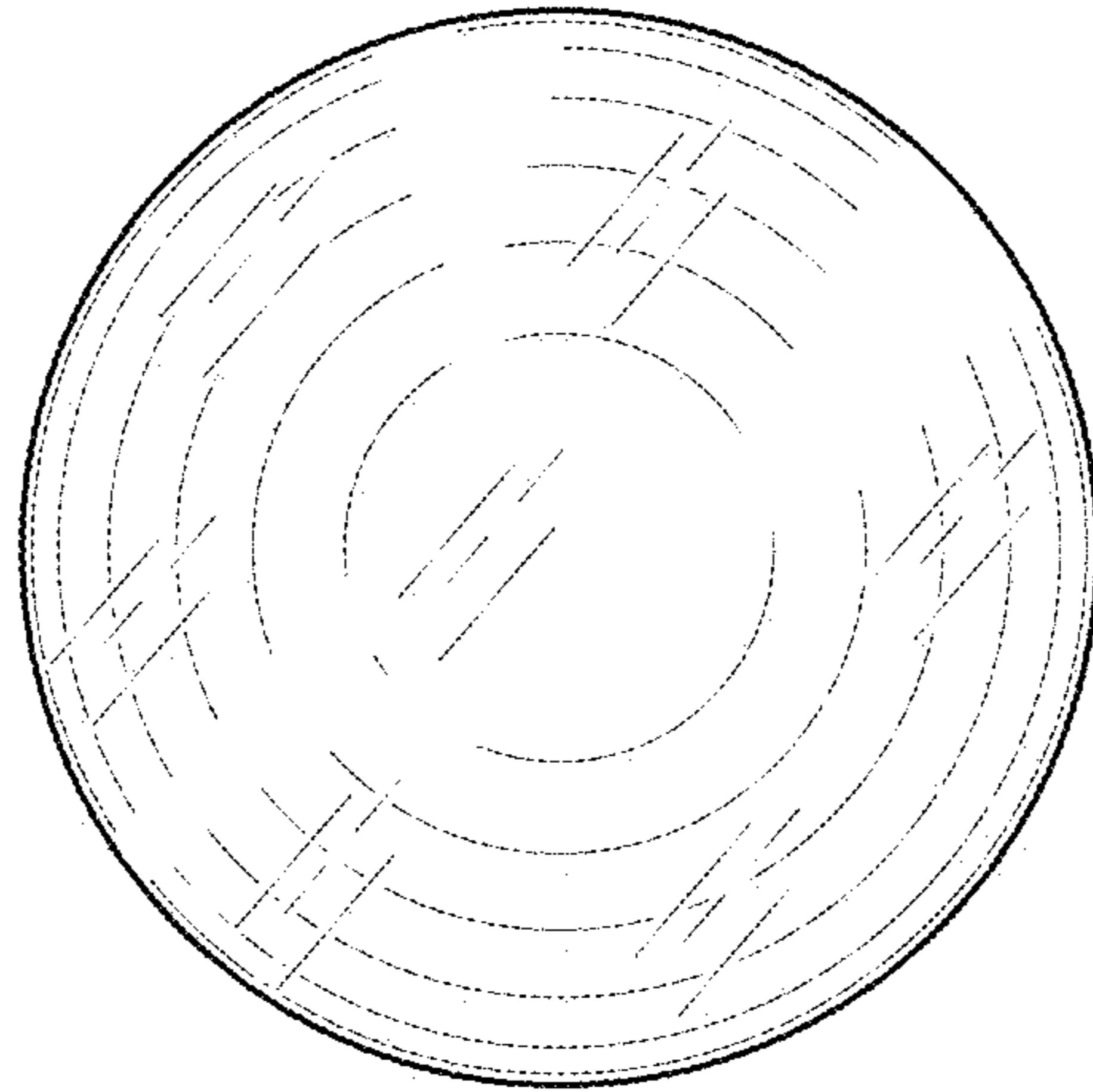


FIG. 6

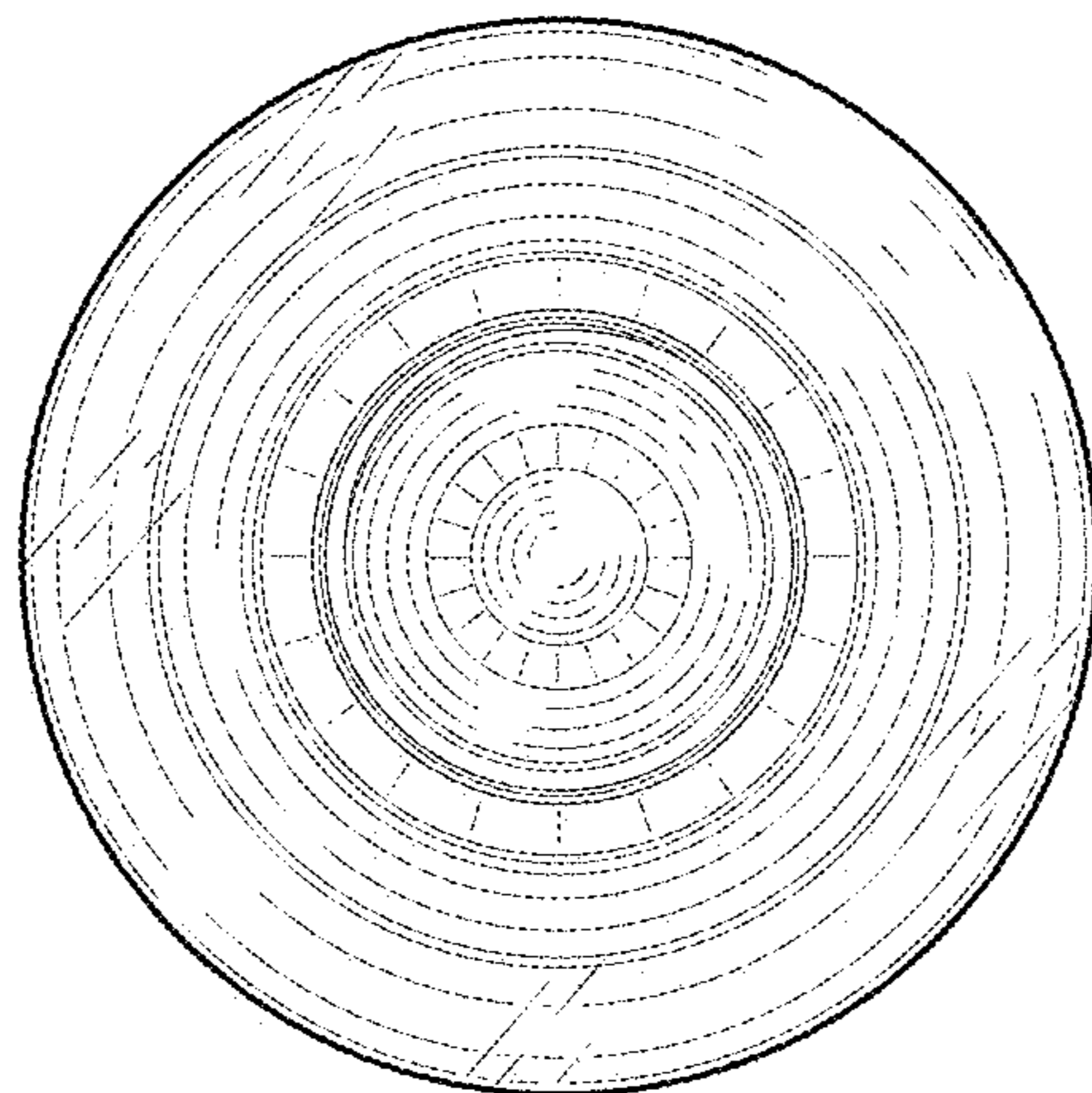


FIG. 7