



US00D702861S

(12) **United States Design Patent**
Boomgaarden et al.

(10) **Patent No.:** **US D702,861 S**
(45) **Date of Patent:** **** Apr. 15, 2014**

(54) **LUMINAIRE**

FOREIGN PATENT DOCUMENTS

(75) Inventors: **Mark Penley Boomgaarden**, Satellite Beach, FL (US); **Fred Kopitzke**, Satellite Beach, FL (US); **David Henderson**, Indialantic, FL (US); **Shane Sullivan**, Indialantic, FL (US); **Wei Sun**, Indialantic, FL (US)

WO 2006118457 11/2006
WO 2008113837 A2 9/2008

OTHER PUBLICATIONS

<http://img.diytrade.com/cdimg/395588/7678937/...http://images.google.com/imgres?imgurl=http://img.diytrade.com/cdimg/3...>

(Continued)

(73) Assignee: **Lighting Science Group Corporation**, Satellite Beach, FL (US)

Primary Examiner — Marcus Jackson

(**) Term: **14 Years**

(74) *Attorney, Agent, or Firm* — Cantor Colburn LLP

(21) Appl. No.: **29/422,280**

(22) Filed: **May 18, 2012**

(57) **CLAIM**

We claim, the ornamental design for a luminaire, as shown and described.

Related U.S. Application Data

(63) Continuation-in-part of application No. 29/410,099, filed on Jan. 4, 2012.

(51) **LOC (10) Cl.** **26-04**

(52) **U.S. Cl.**
USPC **D26/2**

(58) **Field of Classification Search**
USPC D26/1-4; 313/313, 315, 316, 317, 318, 313/493; 315/52, 53, 56, 57, 58
See application file for complete search history.

DESCRIPTION

FIG. 1 is top perspective view of an exemplary embodiment of the invention;
FIG. 2 is a side view of the exemplary embodiment of FIG. 1, the luminaire being symmetric about a center axis;
FIG. 3 is a bottom view of the exemplary embodiment of FIG. 1;
FIG. 4 is a top view of the exemplary embodiment of FIG. 1; and,
FIG. 5 is a bottom perspective view of the exemplary embodiment of FIG. 1.

The phantom lines shown in FIG. 1-FIG. 5 are environmental and not part of the claimed design.

The color of the luminaire forms no part of the claimed design; a luminaire according to the claimed design may be of any color or combination of colors.

The surface treatment of the luminaire figures forms no part of the claimed design, a luminaire according to the claimed design may have any surface treatment.

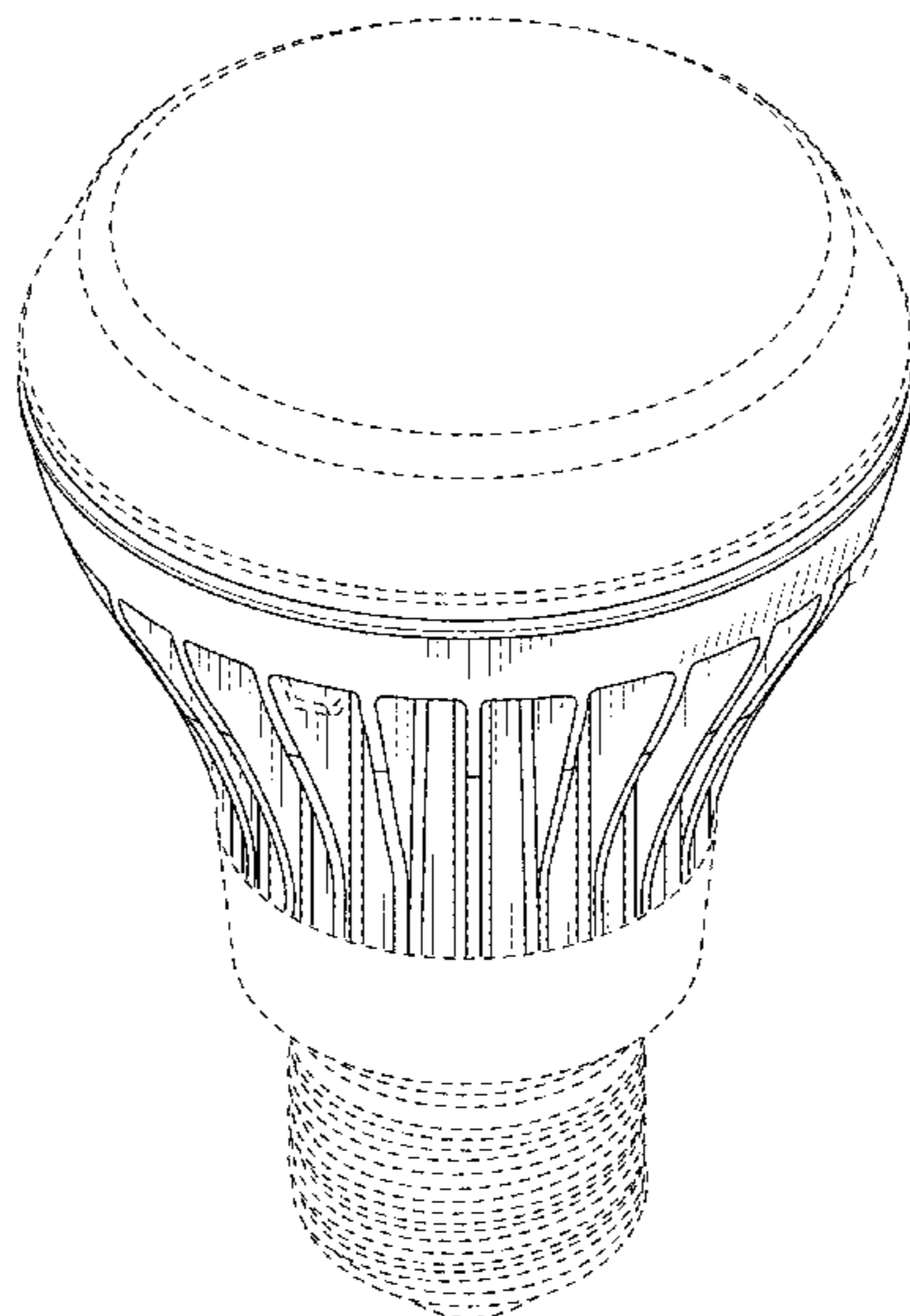
(56) **References Cited**

U.S. PATENT DOCUMENTS

4,375,607	A	3/1983	Morton et al.
4,392,076	A	7/1983	Ishler et al.
D271,424	S	11/1983	Young et al.
D307,805	S	5/1990	Noe
D321,260	S	10/1991	Bowman
5,458,505	A	10/1995	Prager
D391,006	S	2/1998	Yang
5,791,769	A	8/1998	Yang

(Continued)

1 Claim, 5 Drawing Sheets



(56)

References Cited

U.S. PATENT DOCUMENTS

D470,610 S 2/2003 Bobel
 6,515,433 B1 2/2003 Ge et al.
 D480,486 S 10/2003 Kakuno et al.
 6,655,823 B2 12/2003 Chang
 6,786,625 B2 9/2004 Wesson
 D497,439 S 10/2004 Shaw et al.
 6,848,812 B1 2/2005 Hsieh
 D508,575 S 8/2005 Buschmann et al.
 D516,229 S 2/2006 Tang
 D527,119 S 8/2006 Maxik et al.
 D528,227 S 9/2006 Chou et al.
 D528,673 S 9/2006 Maxik et al.
 D531,741 S 11/2006 Takahashi
 D534,665 S 1/2007 Egawa et al.
 D538,950 S 3/2007 Maxik
 D538,951 S 3/2007 Maxik et al.
 D538,952 S 3/2007 Maxik et al.
 D538,953 S 3/2007 Mama
 D541,440 S 4/2007 Feit
 D541,957 S 5/2007 Wang
 D545,457 S 6/2007 Chen
 7,226,189 B2 6/2007 Lee et al.
 D553,267 S * 10/2007 Yuen D26/2
 D560,286 S 1/2008 Maxik et al.
 D566,300 S 4/2008 Lo
 7,367,688 B1 5/2008 Bucher et al.
 D570,504 S 6/2008 Maxik et al.
 D570,505 S 6/2008 Maxik et al.
 D572,385 S 7/2008 Mazzochette et al.
 7,434,964 B1 10/2008 Zheng et al.
 D581,554 S 11/2008 To et al.
 D581,556 S 11/2008 To et al.
 D581,583 S 11/2008 Peng
 7,448,772 B2 11/2008 Hampton
 D584,837 S 1/2009 Mazzochette et al.
 D586,497 S 2/2009 Wu et al.
 D590,523 S * 4/2009 Takahashi D26/2
 7,513,653 B1 4/2009 Liu et al.
 D593,222 S 5/2009 To et al.
 D594,143 S 6/2009 Montagnat et al.
 D594,995 S 6/2009 Komar
 D595,893 S 7/2009 Maxik et al.
 D597,704 S 8/2009 Peng
 D600,367 S 9/2009 Bertram et al.
 D600,368 S * 9/2009 Bertram et al. D26/2
 D600,850 S 9/2009 Maxik et al.

D601,276 S 9/2009 Grajcar
 D601,277 S 9/2009 Grajcar
 D601,278 S 9/2009 Takahashi
 D601,279 S 9/2009 Ou et al.
 D607,586 S 1/2010 Ko
 D608,478 S 1/2010 Maxik et al.
 D610,271 S 2/2010 Bi
 D610,722 S 2/2010 Bi
 D612,956 S 3/2010 Moon
 D613,433 S 4/2010 Moon
 7,717,590 B1 5/2010 Li
 D617,915 S 6/2010 Wada et al.
 D618,369 S 6/2010 Lee et al.
 D620,153 S 7/2010 Wang et al.
 D623,777 S 9/2010 Moon et al.
 D623,778 S 9/2010 Moon et al.
 D623,779 S 9/2010 Wang et al.
 D624,214 S 9/2010 Thomas et al.
 D624,215 S 9/2010 Moon et al.
 D624,669 S 9/2010 Tsai
 D625,437 S 10/2010 Zhang et al.
 D626,260 S 10/2010 Wei
 D626,667 S 11/2010 Jonsson et al.
 D627,087 S 11/2010 Jonsson et al.
 D628,322 S 11/2010 Sakai et al.
 D628,720 S 12/2010 Wang
 D629,129 S 12/2010 Lin et al.
 D629,930 S 12/2010 Cotter et al.
 D632,409 S 2/2011 Qiu
 D634,031 S 3/2011 de Visser et al.
 D634,037 S 3/2011 Jeong et al.
 D646,409 S 10/2011 MacDonald et al.
 D663,870 S * 7/2012 Kang D26/2
 2006/0215408 A1 9/2006 Lee
 2007/0285926 A1 12/2007 Maxik
 2008/0253125 A1 10/2008 Kang et al.
 2009/0141500 A1 6/2009 Peng
 2009/0296402 A1 12/2009 Chang et al.
 2010/0027270 A1 2/2010 Huang et al.
 2010/0091487 A1 4/2010 Shin

OTHER PUBLICATIONS

SP-E27 LB60 Nicha / Cree LED Lamp, posted Dec. 18, 2008, http://www.diytrade.com/china/4/products/4950147/SP-E27_LB60_Nicha_Cree_LED_Lamp.html, accessed Jun. 30, 2009.
 F.S. Maxik, "GU10 Lamp" Office Action mailed Mar. 16, 2011; U.S. Appl. No. 29/340,670, filed Jul. 23, 2009.

* cited by examiner

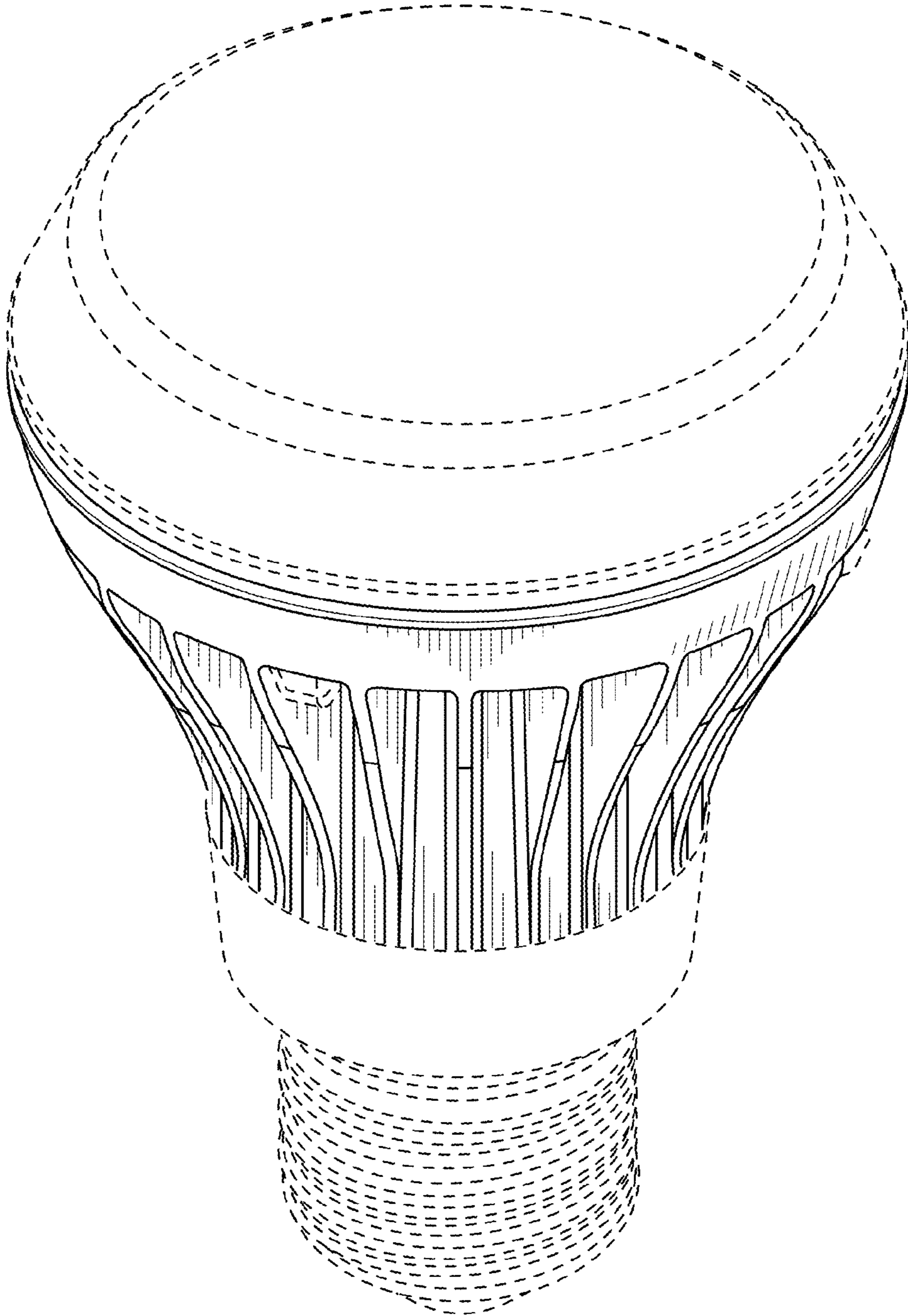


FIG. 1

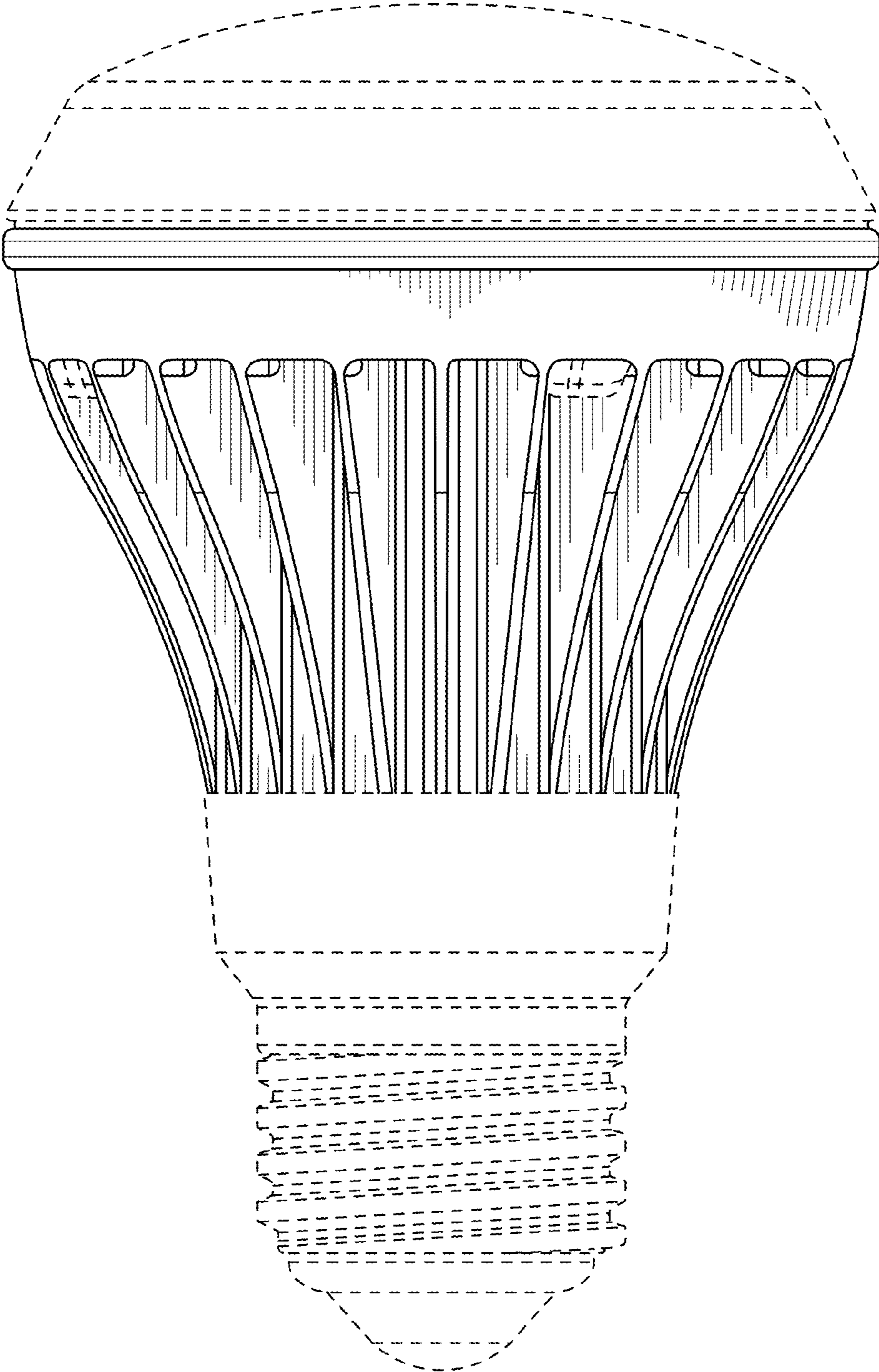


FIG. 2

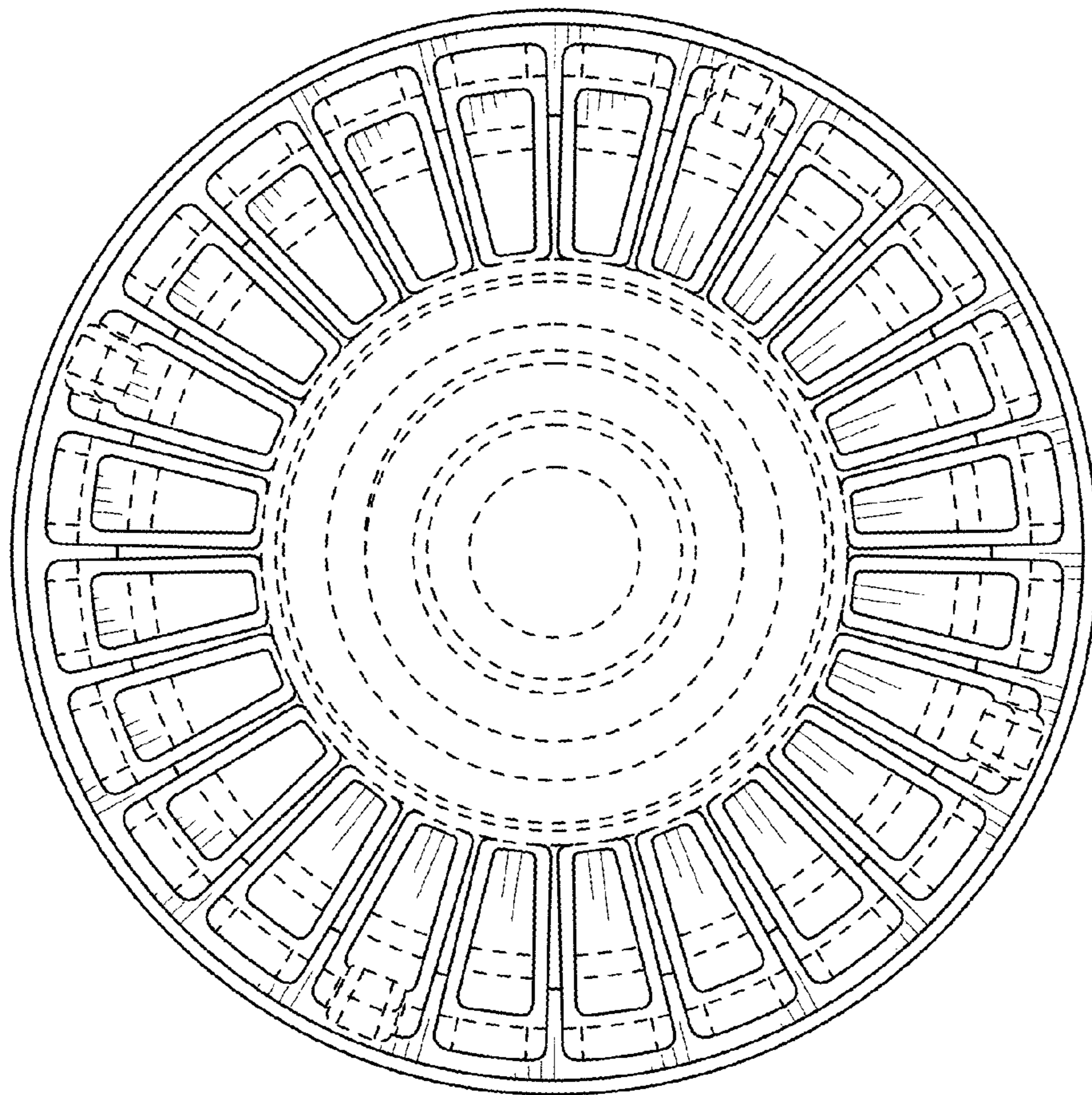


FIG. 3

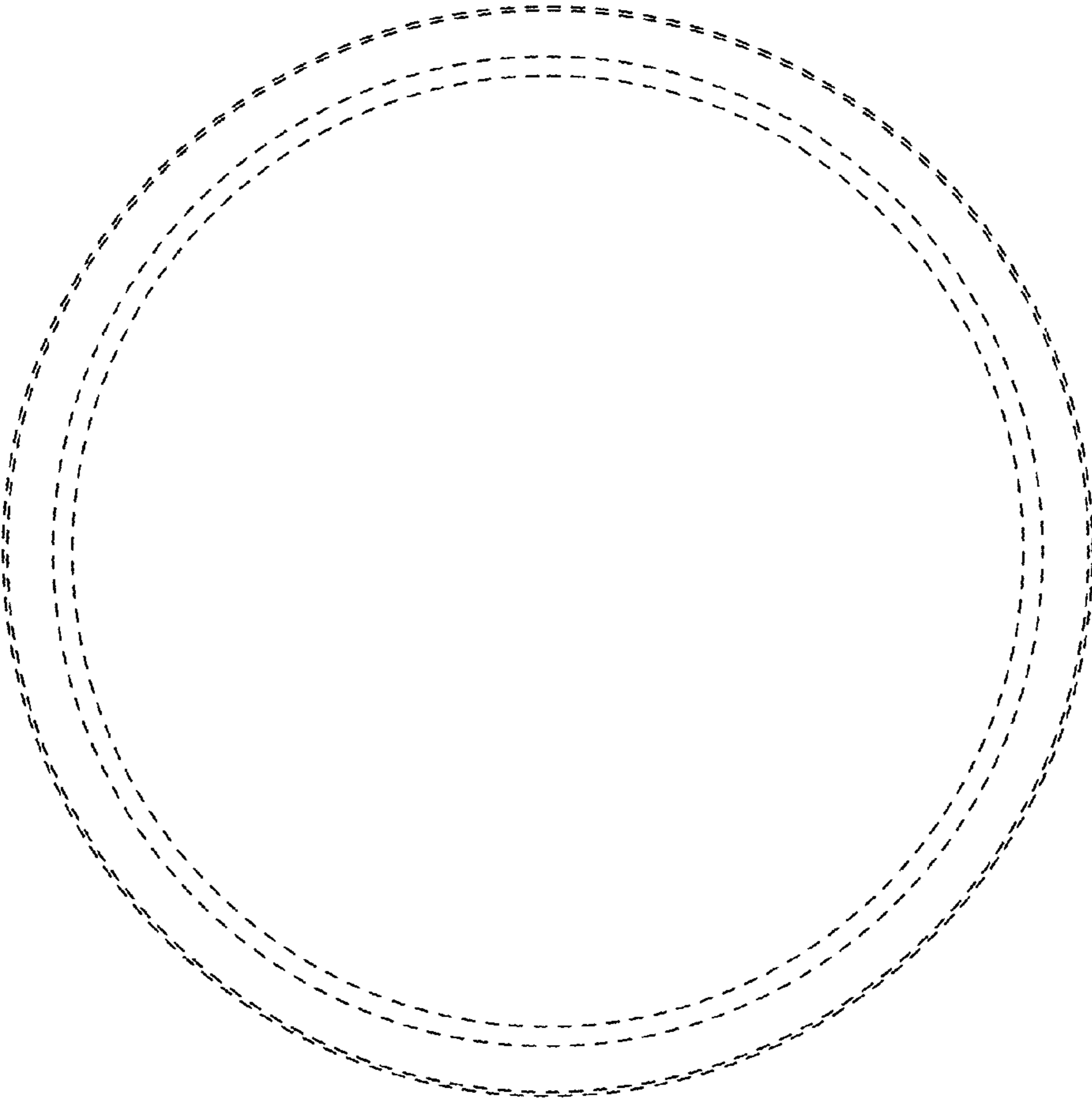


FIG. 4

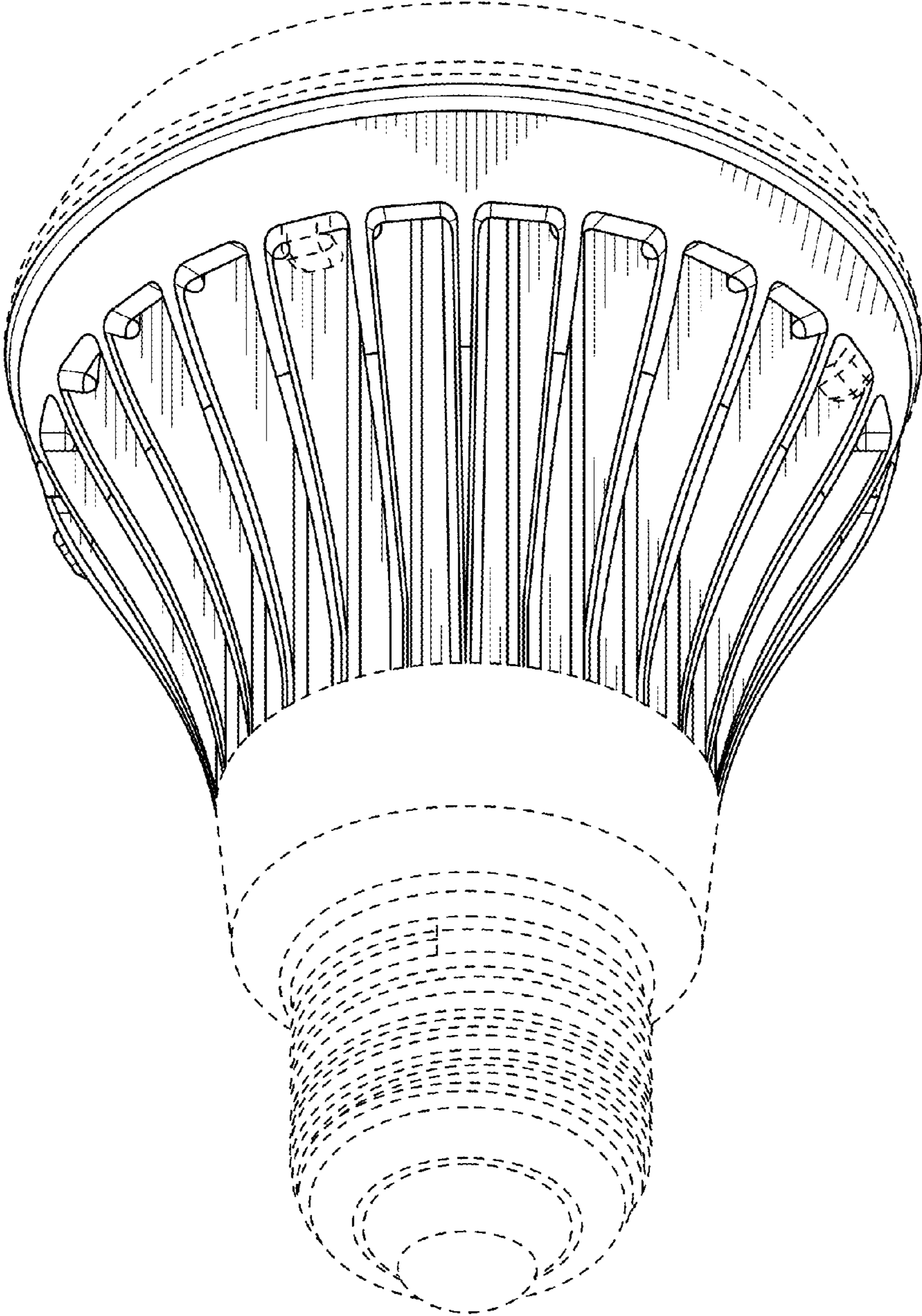


FIG. 5