



US00D702860S

(12) **United States Design Patent**
Rice

(10) **Patent No.:** **US D702,860 S**

(45) **Date of Patent:** **** Apr. 15, 2014**

(54) **RESILIENT CHANNEL**

(75) Inventor: **John Rice**, Aurora (CA)

(73) Assignee: **Bailey Metal Products Limited**,
Concord, ON (CA)

(**) Term: **14 Years**

(21) Appl. No.: **29/429,528**

(22) Filed: **Aug. 13, 2012**

(51) **LOC (10) Cl.** **25-01**

(52) **U.S. Cl.**
USPC **D25/119; D25/164**

(58) **Field of Classification Search**
USPC D25/55, 61, 199, 164, 119; 52/716.1,
52/716.2, 588.1, 302.3, 255, 718.01,
52/716.8; D23/393

See application file for complete search history.

(56) **References Cited**

U.S. PATENT DOCUMENTS

D486,921 S *	2/2004	Zyburt	D25/119
7,200,970 B2 *	4/2007	Koenig et al.	52/287.1
D618,825 S *	6/2010	Johnson	D25/164
7,810,291 B2 *	10/2010	McPherson	52/302.3

* cited by examiner

Primary Examiner — Doris Clark

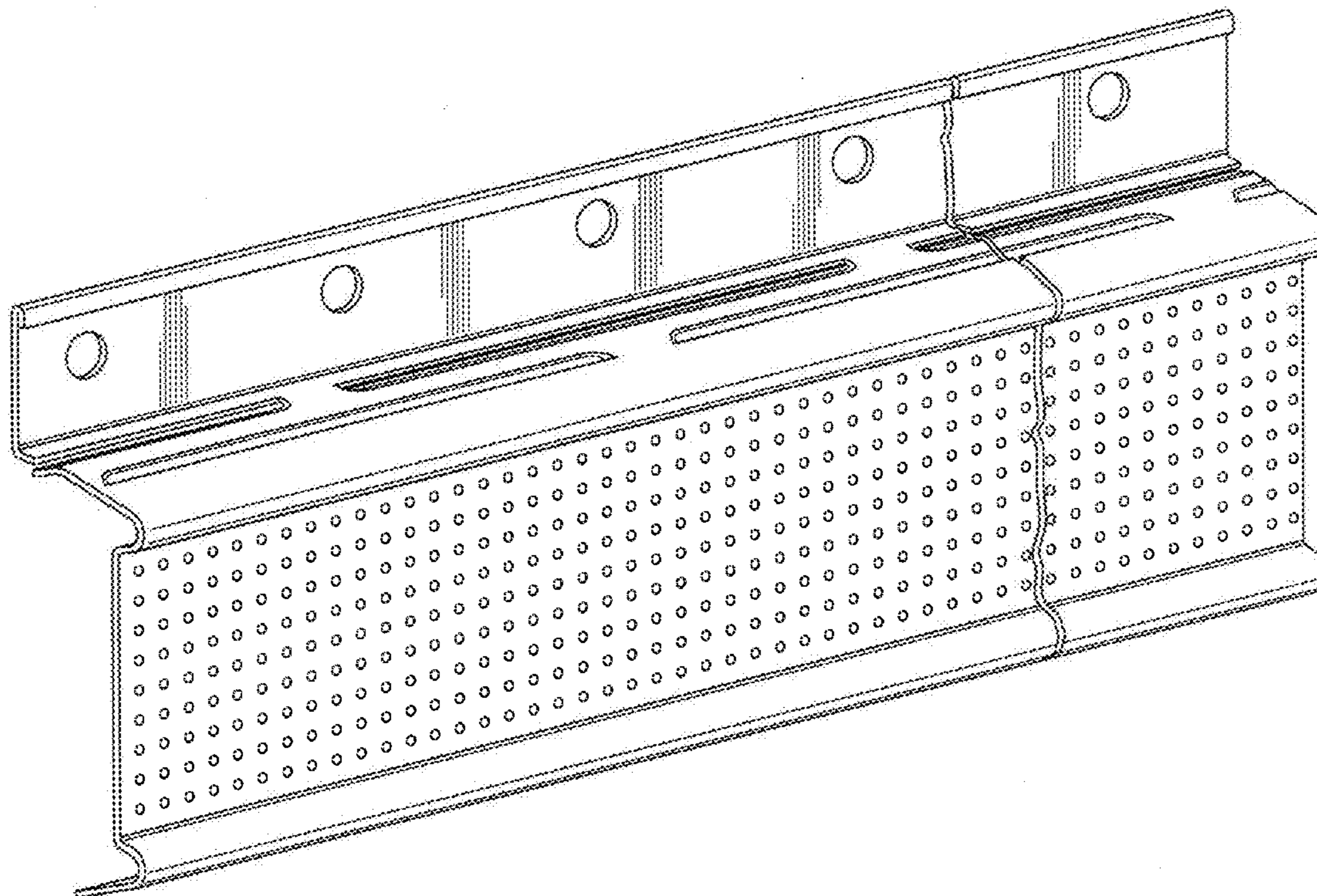
(57) **CLAIM**

I claim the ornamental design for a resilient channel, as shown and described.

DESCRIPTION

FIG. 1 is a front perspective view of the resilient channel;
FIG. 2 is a front view of the resilient channel;
FIG. 3 is a left side view of the resilient channel;
FIG. 4 is a top view of the resilient channel;
FIG. 5 is a right side view of the resilient channel;
FIG. 6 is a right end view of the resilient channel; and,
FIG. 7 is a left end view of the resilient channel.

1 Claim, 4 Drawing Sheets



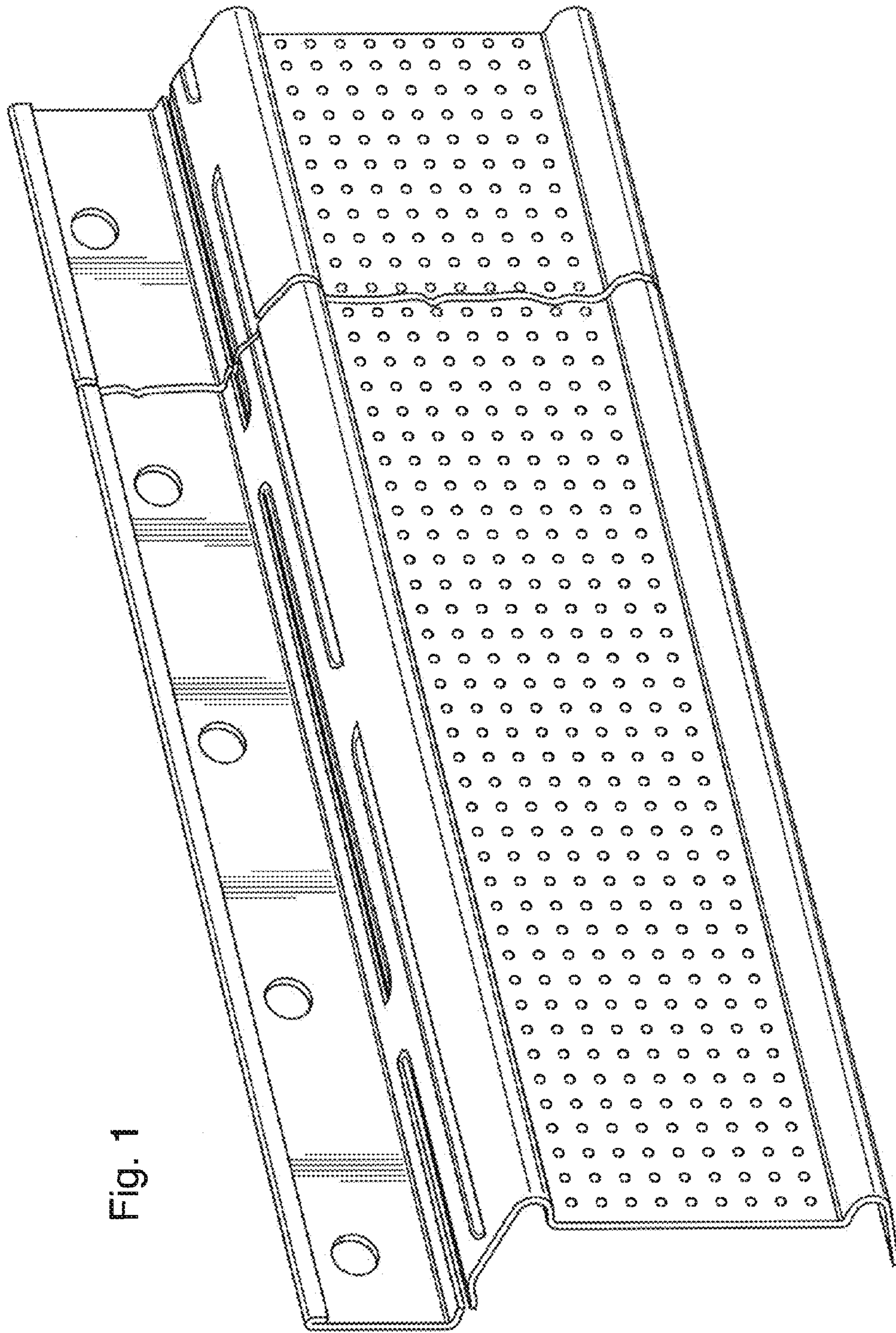


Fig. 1

Fig. 2

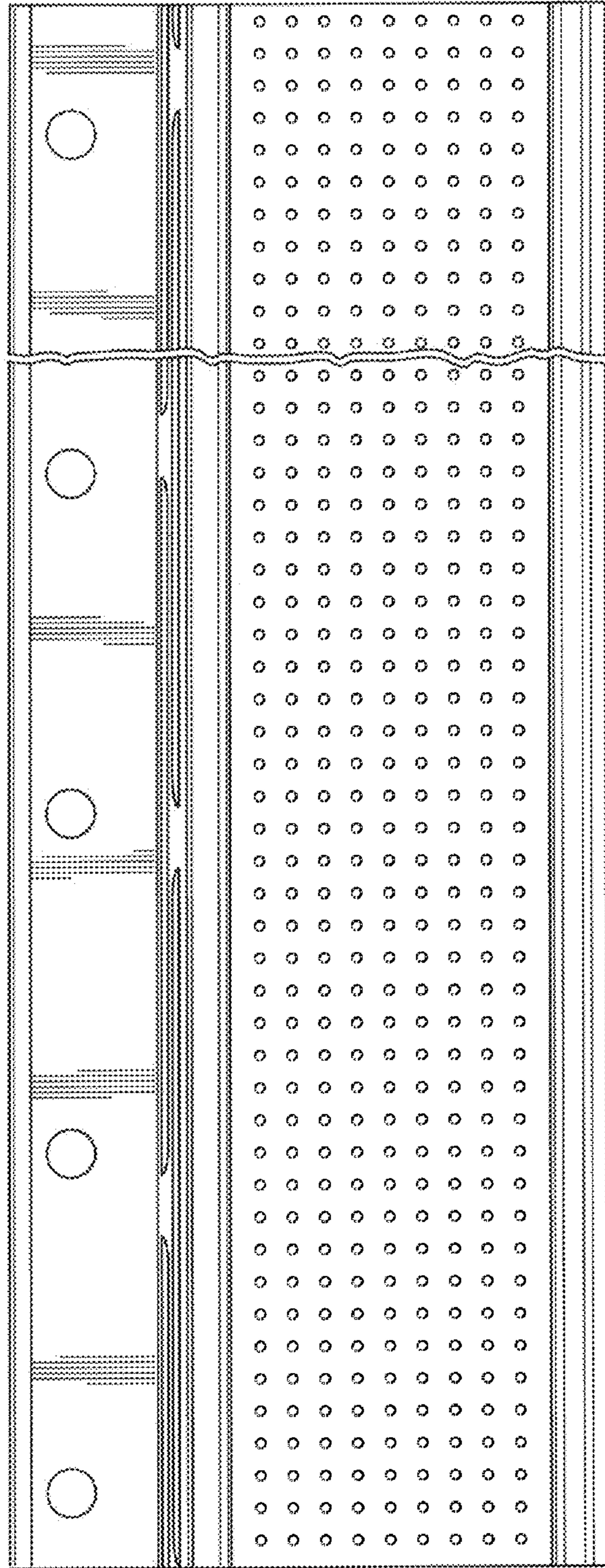


Fig. 3

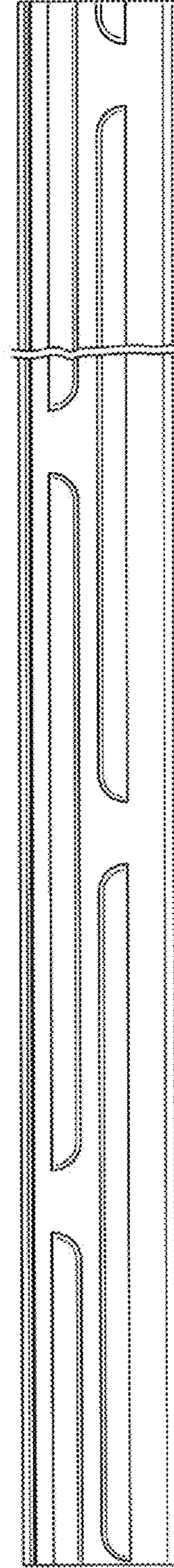


Fig. 4

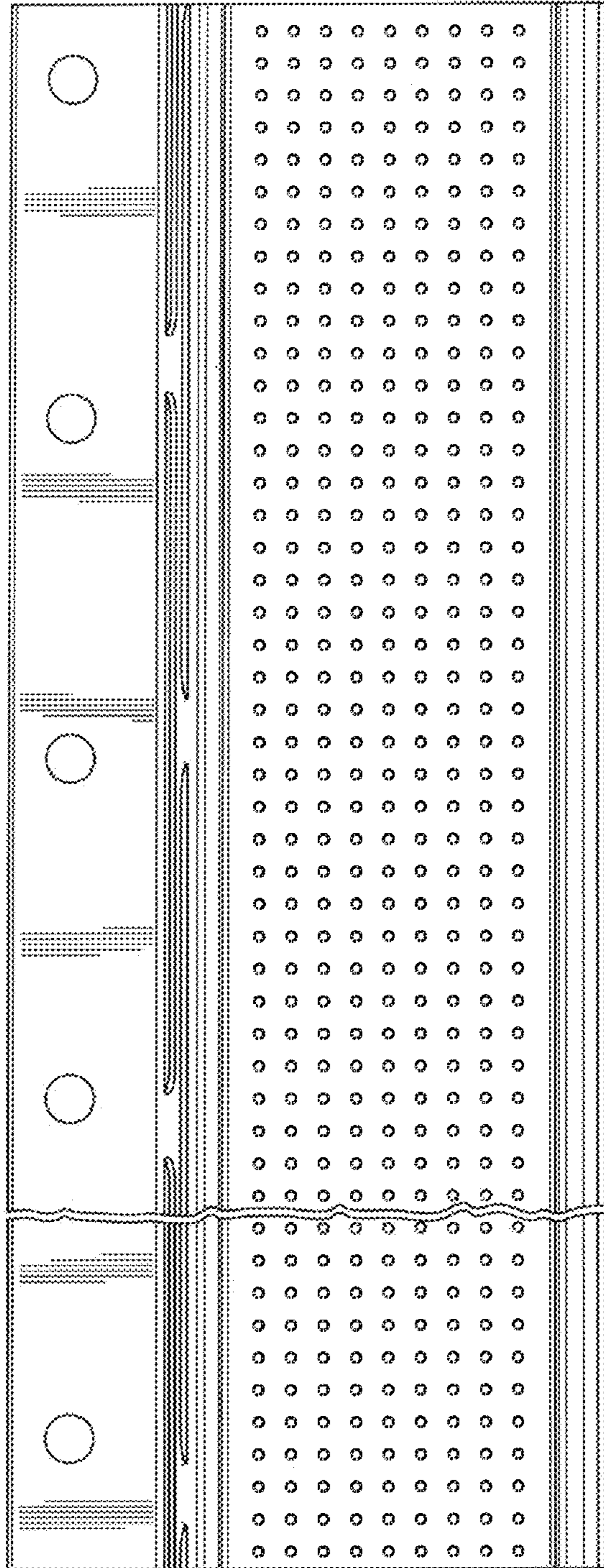
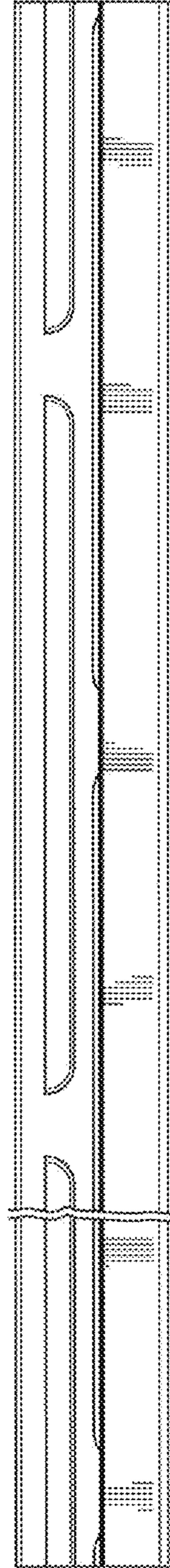


Fig. 5



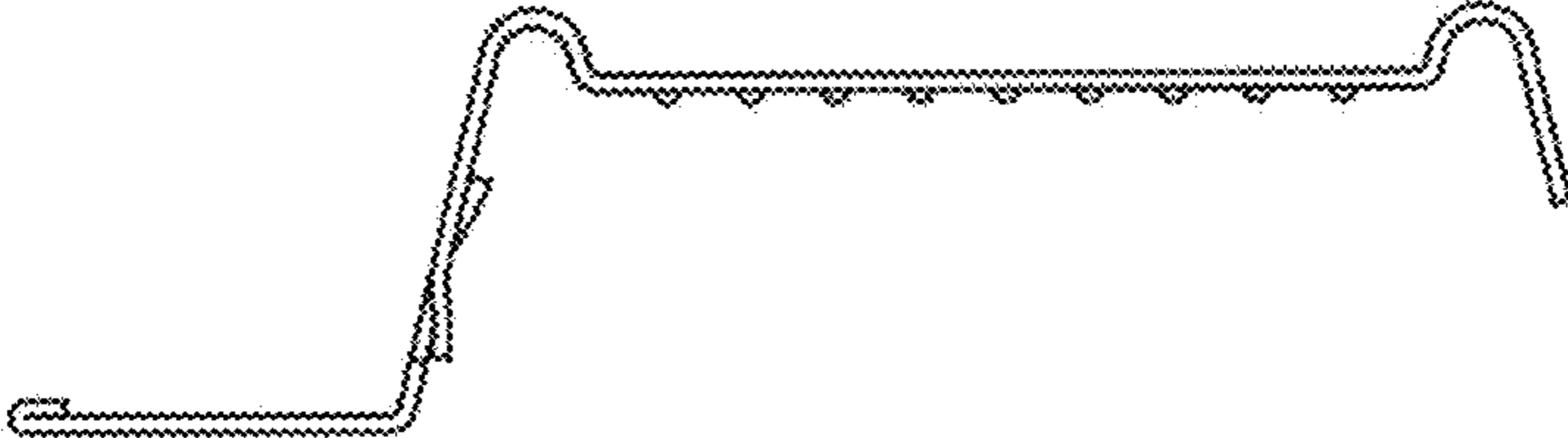


Fig. 7

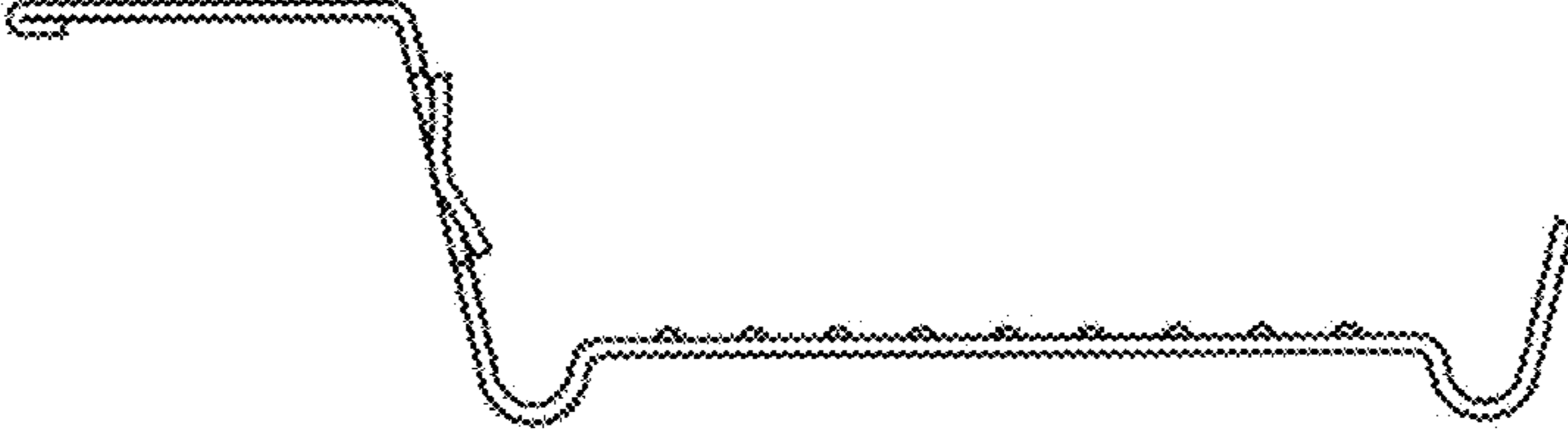


Fig. 6