

US00D702856S

(12) **United States Design Patent**
Walsh

(10) **Patent No.:** **US D702,856 S**
(45) **Date of Patent:** **** Apr. 15, 2014**

- (54) **LIGHT PANEL**
- (75) Inventor: **Jason Walsh**, Batavia, IL (US)
- (73) Assignee: **Masonite Corporation**, Tampa, FL (US)
- (**) Term: **14 Years**
- (21) Appl. No.: **29/430,601**
- (22) Filed: **Aug. 28, 2012**

D477,938 S	8/2003	Brandon	
D490,909 S *	6/2004	Barnard	D25/103
D533,284 S *	12/2006	Bledsoe et al.	D25/138
D533,949 S	12/2006	Kaspari et al.	
D535,759 S	1/2007	Kaspari et al.	
D537,544 S	2/2007	Bledsoe et al.	
D552,759 S	10/2007	Murdock	
D558,359 S	12/2007	Mathias et al.	
D559,408 S	1/2008	Dorris	
D589,158 S	3/2009	Hu	
D590,069 S *	4/2009	Hu	D25/103
D608,022 S	1/2010	Metcalf et al.	
D608,026 S	1/2010	Metcalf et al.	
D608,027 S	1/2010	Metcalf	
D608,461 S	1/2010	Hu	
D608,905 S	1/2010	Walsh et al.	
D611,618 S	3/2010	Walsh et al.	
D611,619 S *	3/2010	Walsh et al.	D25/103
D612,518 S	3/2010	Hu	
D613,879 S	4/2010	Hu	
D617,473 S	6/2010	Suare et al.	
D627,083 S *	11/2010	Walsh et al.	D25/103
D631,173 S *	1/2011	Hu	D25/103
D641,921 S	7/2011	Sabernig	
D642,285 S *	7/2011	Hu	D25/103
D664,676 S *	7/2012	Walsh	D25/103

Related U.S. Application Data

- (62) Division of application No. 29/350,285, filed on Nov. 13, 2009, now Pat. No. Des. 666,314.
- (51) **LOC (10) Cl.** **25-01**
- (52) **U.S. Cl.**
USPC **D25/103**
- (58) **Field of Classification Search**
USPC D26/24, 56, 72, 85, 113, 118, 120, 121,
D26/122; D20/10, 19, 34; D11/132, 140;
D25/52, 53, 54, 103, 106, 109, 110,
D25/138, 142, 152; 362/600, 605, 147,
362/311.01, 311.05, 311.13, 351, 806, 812;
52/204.59, 306; 428/34
See application file for complete search history.

OTHER PUBLICATIONS

Falling Leaves Stained Glass Panel, Mar. 19, 2009, http://etsyglass.blogspot.com/2009_03_01_archive.html.

* cited by examiner

Primary Examiner — Angela J Lee

(74) *Attorney, Agent, or Firm* — Berenato & White, LLC

(56) **References Cited**

U.S. PATENT DOCUMENTS

D96,836 S	9/1935	Hormes	
D188,213 S	6/1960	Barto	
D193,157 S	7/1962	O'Donaughy	
D215,589 S	10/1969	Hooton	
D259,958 S	7/1981	Shaffer	
D260,290 S	8/1981	Shaffer et al.	
D260,438 S *	8/1981	Martinelli	D25/105
D270,477 S	9/1983	Taylor	
D330,435 S *	10/1992	Dukart et al.	D25/138
D380,839 S	7/1997	Lint et al.	
D388,885 S	1/1998	Lint et al.	
D396,299 S	7/1998	Lee	
D402,378 S *	12/1998	Parkhurst	D25/103
D405,547 S *	2/1999	Dobija	D25/138
D415,291 S *	10/1999	Woodruff	D25/103
D475,222 S	6/2003	Brandon	

(57) **CLAIM**

The ornamental design for a light panel, as shown and described.

DESCRIPTION

FIG. 1 is a front elevational view of a first embodiment of my design;
 FIG. 2 is a cross-sectional view taken along the line 2-2 of FIG. 1;
 FIG. 3 is a cross-sectional view taken along the line 3-3 of FIG. 1;
 FIG. 4 is an enlarged view of a detail of FIG. 3;

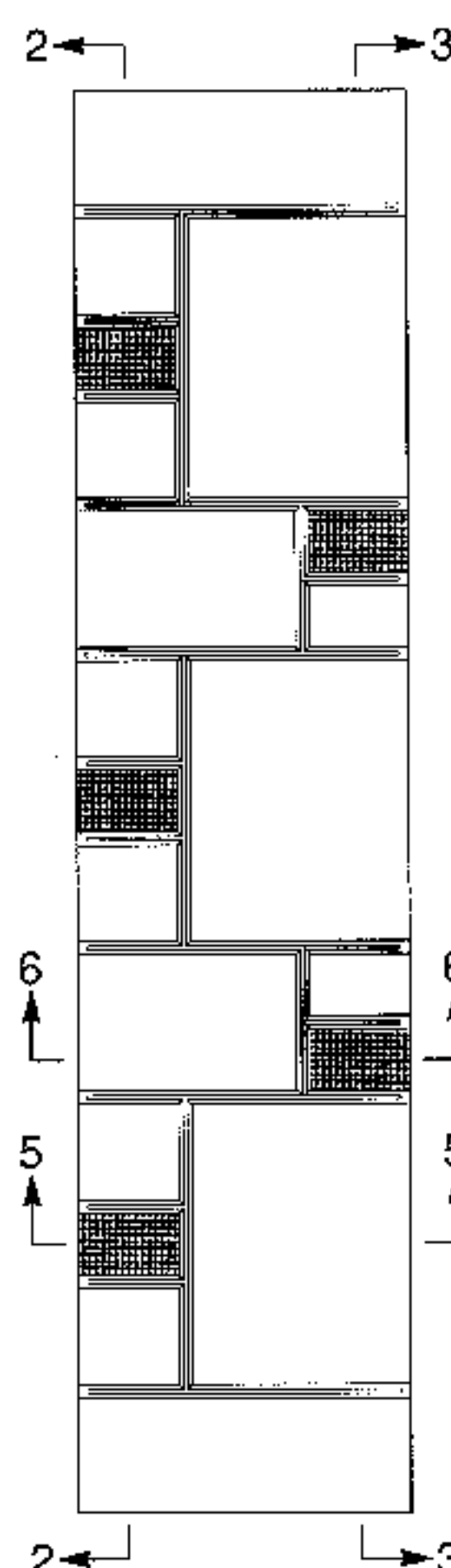


FIG. 5 is a cross-sectional view taken along the line 5-5 of FIG. 1;
FIG. 6 is a cross-sectional view taken along the line 6-6 of FIG. 1;
FIG. 7 is a front elevational view of a second embodiment of my design;
FIG. 8 is a cross-sectional view taken along the line 8-8 of FIG. 7;
FIG. 9 is a cross-sectional view taken along the line 9-9 of FIG. 7;
FIG. 10 is an enlarged view of a detail of FIG. 9;
FIG. 11 is a front elevational view of a third embodiment of my design;
FIG. 12 is a cross-sectional view taken along the line 12-12 of FIG. 11;
FIG. 13 is a cross-sectional view taken along the line 13-13 of FIG. 11;
FIG. 14 is an enlarged view of a detail of FIG. 13;
FIG. 15 is a front elevational view of a fourth embodiment of my design;
FIG. 16 is a cross-sectional view taken along the line 16-16 of FIG. 15;
FIG. 17 is a cross-sectional view taken along the line 17-17 of FIG. 15;
FIG. 18 is an enlarged view of a detail of FIG. 17;
FIG. 19 is a front elevational view of a fifth embodiment of my design;
FIG. 20 is a cross-sectional view taken along the line 20-20 of FIG. 19;
FIG. 21 is a cross-sectional view taken along the line 21-21 of FIG. 19;
FIG. 22 is an enlarged view of a detail of FIG. 21;
FIG. 23 is a front elevational view of a sixth embodiment of my design;
FIG. 24 is a cross-sectional view taken along the line 24-24 of FIGS. 23 and 28;
FIG. 25 is an enlarged view of a detail of FIG. 24;
FIG. 26 is a cross-sectional view taken along the line 26-26 of FIG. 23;
FIG. 27 is a cross-sectional view taken along the line 26-26 of FIG. 23;
FIG. 28 is a front elevational view of a seventh embodiment of my design;
FIG. 29 is a cross-sectional view taken along the line 29-29 of FIG. 23;
FIG. 30 is an enlarged view of a detail of FIG. 29;
FIG. 31 is a cross-sectional view taken along the line 31-31 of FIG. 28;
FIG. 32 is a cross-sectional view taken along the line 32-32 of FIG. 28;
FIG. 33 is a front elevational view of an eighth embodiment of my design;
FIG. 34 is a cross-sectional view taken along the line 34-34 of FIGS. 33 and 38;
FIG. 35 is an enlarged view of a detail of FIG. 34;
FIG. 36 is a cross-sectional view taken along the line 36-36 of FIG. 33;
FIG. 37 is a cross-sectional view taken along the line 37-37 of FIG. 33;
FIG. 38 is a front elevational view of a ninth embodiment of my design;
FIG. 39 is a cross-sectional view taken along the line 39-39 of FIG. 38;
FIG. 40 is an enlarged view of a detail of FIG. 39;

FIG. 41 is a cross-sectional view taken along the line 41-41 of FIG. 38;
FIG. 42 is a cross-sectional view taken along the line 42-42 of FIG. 38;
FIG. 43 is a front elevational view of a tenth embodiment of my design;
FIG. 44 is a cross-sectional view taken along the line 44-44 of FIGS. 43 and 48;
FIG. 45 is an enlarged view of a detail of FIG. 44;
FIG. 46 is a cross-sectional view taken along the line 46-46 of FIG. 43;
FIG. 47 is a cross-sectional view taken along the line 47-47 of FIG. 43;
FIG. 48 is a front elevational view of an eleventh embodiment of my design;
FIG. 49 is a cross-sectional view taken along the line 49-49 of FIG. 48;
FIG. 50 is an enlarged view of a detail of FIG. 49;
FIG. 51 is a cross-sectional view taken along the line 51-51 of FIG. 48;
FIG. 52 is a cross-sectional view taken along the line 51-51 of FIG. 48;
FIG. 53 is a front elevational view of a twelfth embodiment of my design;
FIG. 54 is a cross-sectional view taken along the line 54-54 of FIGS. 53 and 58;
FIG. 55 is an enlarged view of a detail of FIG. 54;
FIG. 56 is a cross-sectional view taken along the line 56-56 of FIG. 53;
FIG. 57 is a cross-sectional view taken along the line 57-57 of FIG. 53;
FIG. 58 is a front elevational view of a thirteenth embodiment of my design;
FIG. 59 is a cross-sectional view taken along the line 59-59 of FIG. 58;
FIG. 60 is an enlarged view of a detail of FIG. 59;
FIG. 61 is a cross-sectional view taken along the line 61-61 of FIG. 58;
FIG. 62 is a cross-sectional view taken along the line 62-62 of FIG. 58;
FIG. 63 is a front elevational view of a fourteenth embodiment of my design;
FIG. 64 is a cross-sectional view taken along the line 64-64 of FIGS. 63 and 66;
FIG. 65 is an enlarged view of a detail of FIG. 64;
FIG. 66 is a front elevational view of a fifteenth embodiment of my design;
FIG. 67 is a cross-sectional view taken along the line 67-67 of FIG. 66;
FIG. 68 is an enlarged view of a detail of FIG. 67;
FIG. 69 is a front elevational view of a sixteenth embodiment of my design;
FIG. 70 is a cross-sectional view taken along the line 70-70 of FIGS. 69 and 72;
FIG. 71 is an enlarged view of a detail of FIG. 70;
FIG. 72 is a front elevational view of a seventeenth embodiment of my design;
FIG. 73 is a cross-sectional view taken along the line 73-73 of FIG. 72;
FIG. 74 is an enlarged view of a detail of FIG. 73;
FIG. 75 is a front elevational view of an eighteenth embodiment of my design;
FIG. 76 is a cross-sectional view taken along the line 76-76 of FIGS. 75 and 78;
FIG. 77 is an enlarged view of a detail of FIG. 76;

FIG. 78 is a front elevational view of a nineteenth embodiment of my design;
FIG. 79 is a cross-sectional view taken along the line 79-79 of FIG. 78;
FIG. 80 is an enlarged view of a detail of FIG. 79;
FIG. 81 is a front elevational view of a twentieth embodiment of my design;
FIG. 82 is a cross-sectional view taken along the line 82-82 of FIGS. 81 and 84;
FIG. 83 is an enlarged view of a detail of FIG. 82;
FIG. 84 is a front elevational view of a twenty-first embodiment of my design;
FIG. 85 is a cross-sectional view taken along the line 85-85 of FIG. 84;
FIG. 86 is an enlarged view of a detail of FIG. 85;
FIG. 87 is a front elevational view of a twenty-second embodiment of my design;
FIG. 88 is a cross-sectional view taken along the line 88-88 of FIG. 87;
FIG. 89 is an enlarged view of a detail of FIG. 88;
FIG. 90 is a cross-sectional view taken along the line 90-90 of FIG. 87;
FIG. 91 is an enlarged view of a detail of FIG. 90;
FIG. 92 is a cross-sectional view taken along the line 92-92 of FIG. 87;
FIG. 93 is a cross-sectional view taken along the line 93-93 of FIG. 87;

FIG. 94 is a front elevational view of a twenty-third embodiment of my design;
FIG. 95 is a cross-sectional view taken along the line 95-95 of FIG. 94;
FIG. 96 is an enlarged view of a detail of FIG. 95;
FIG. 97 is a cross-sectional view taken along the line 97-97 of FIG. 94;
FIG. 98 is an enlarged view of a detail of FIG. 97;
FIG. 99 is a cross-sectional view taken along the line 99-99 of FIG. 94;
FIG. 100 is a cross-sectional view taken along the line 100-100 of FIG. 94;
FIG. 101 is a front elevational view of a twenty-fourth embodiment of my design;
FIG. 102 is a cross-sectional view taken along the line 102-102 of FIG. 101;
FIG. 103 is an enlarged view of a detail of FIG. 102;
FIG. 104 is a cross-sectional view taken along the line 104-104 of FIG. 101;
FIG. 105 is an enlarged view of a detail of FIG. 104;
FIG. 106 is a cross-sectional view taken along the line 106-106 of FIG. 101; and,
FIG. 107 is a cross-sectional view taken along the line 107-107 of FIG. 101.

1 Claim, 44 Drawing Sheets

Fig. 1

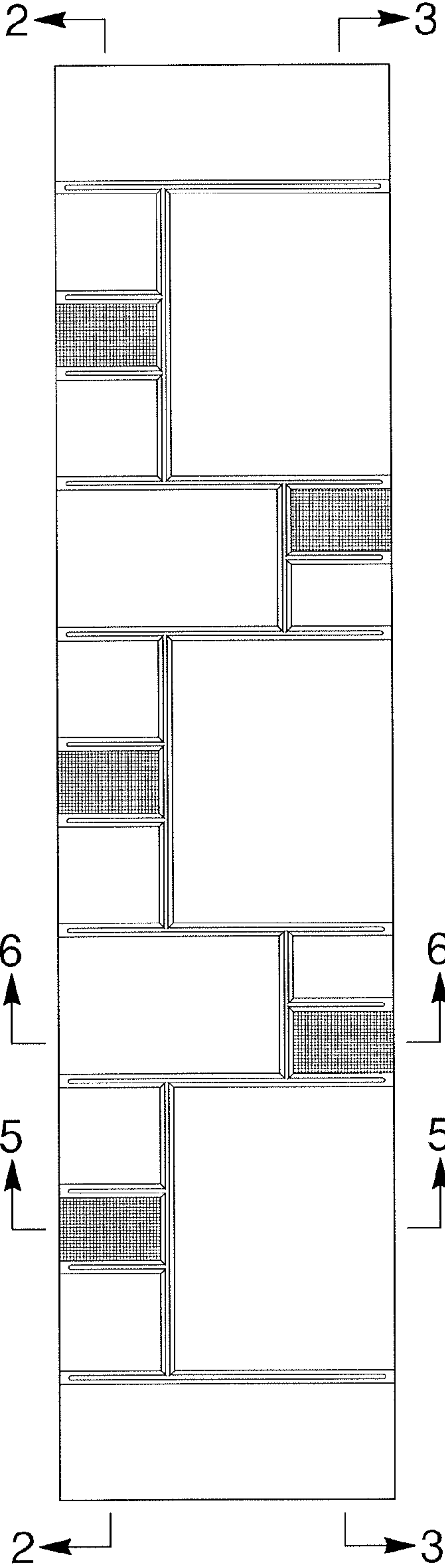


Fig. 2



Fig. 3



Fig. 4

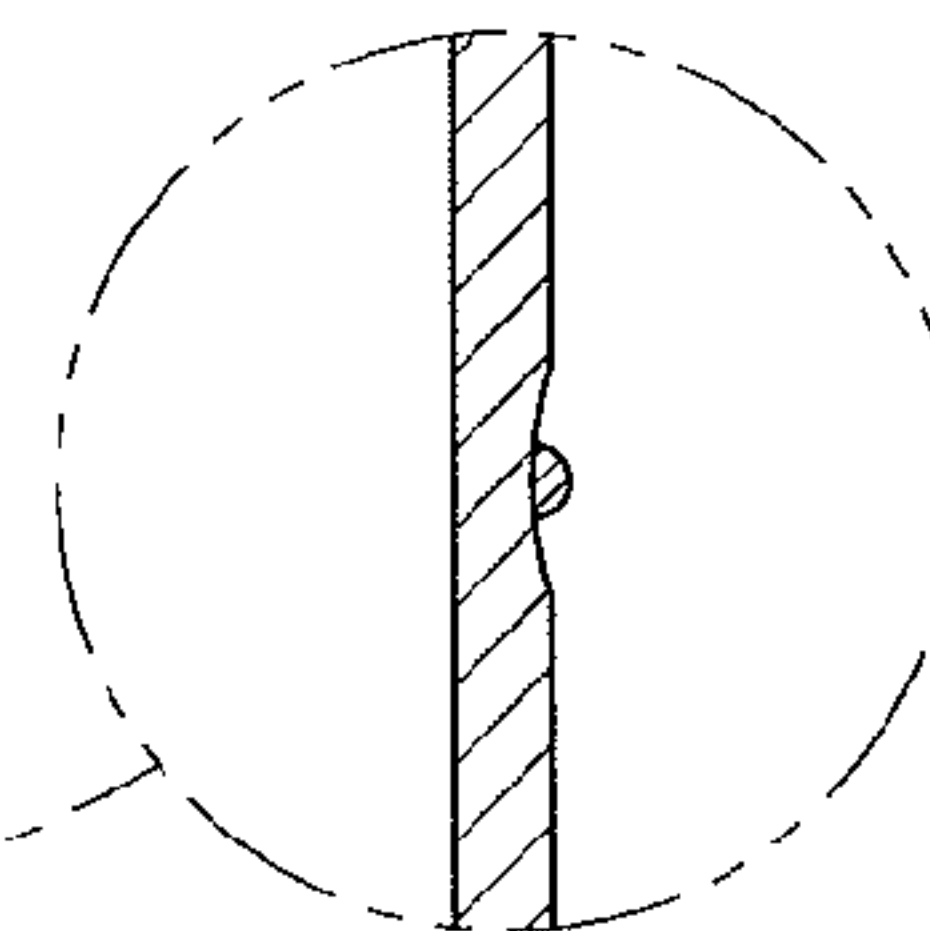


Fig. 5



Fig. 6



Fig. 7

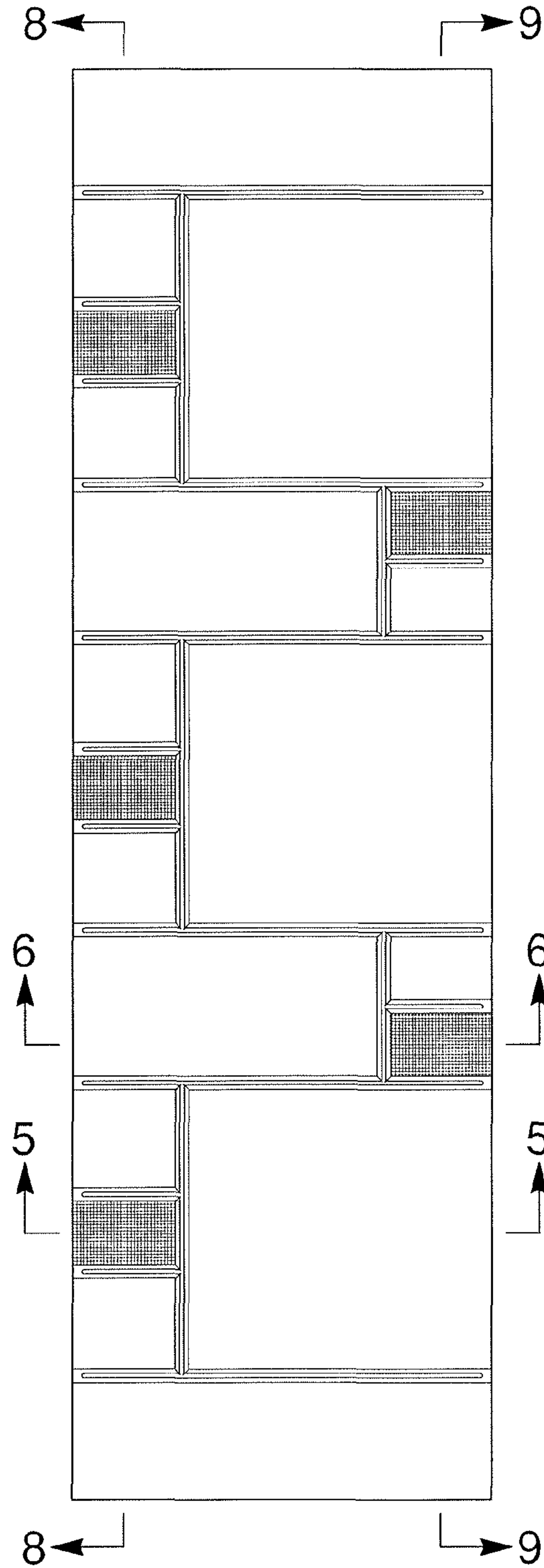


Fig. 8



Fig. 9



Fig. 10

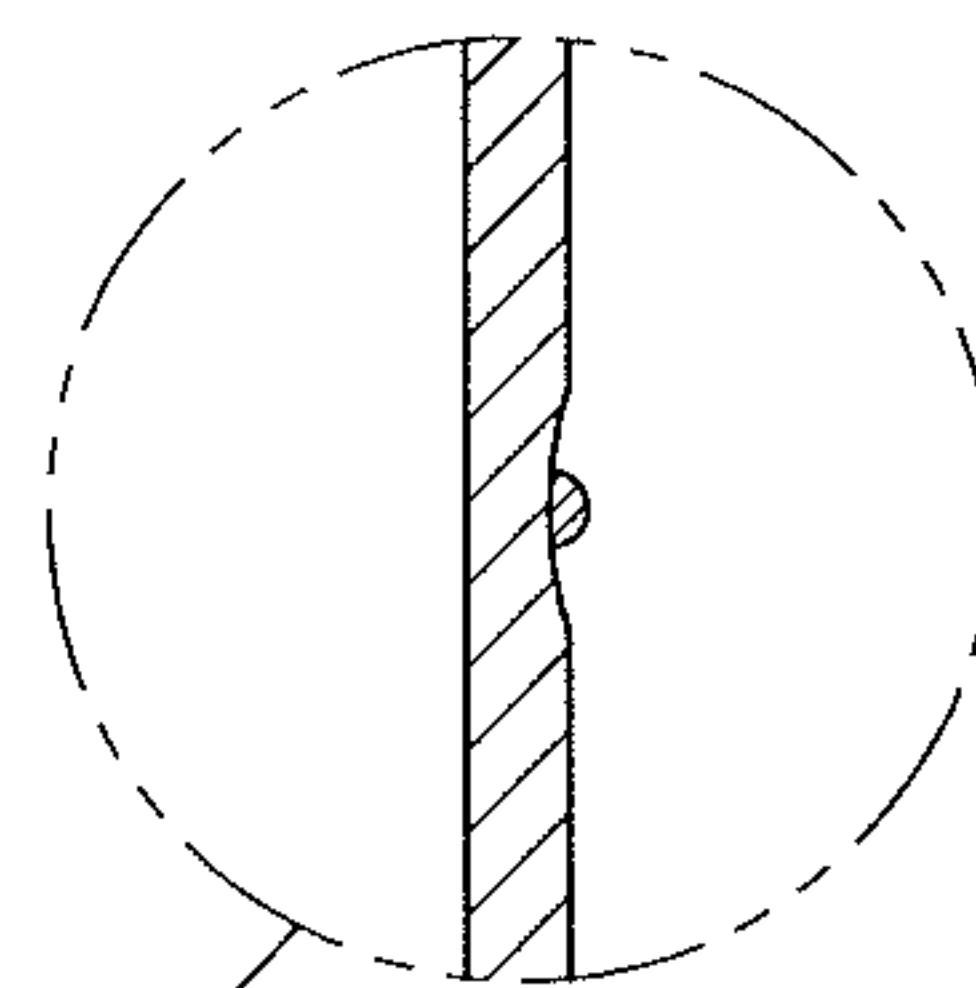


Fig. 11

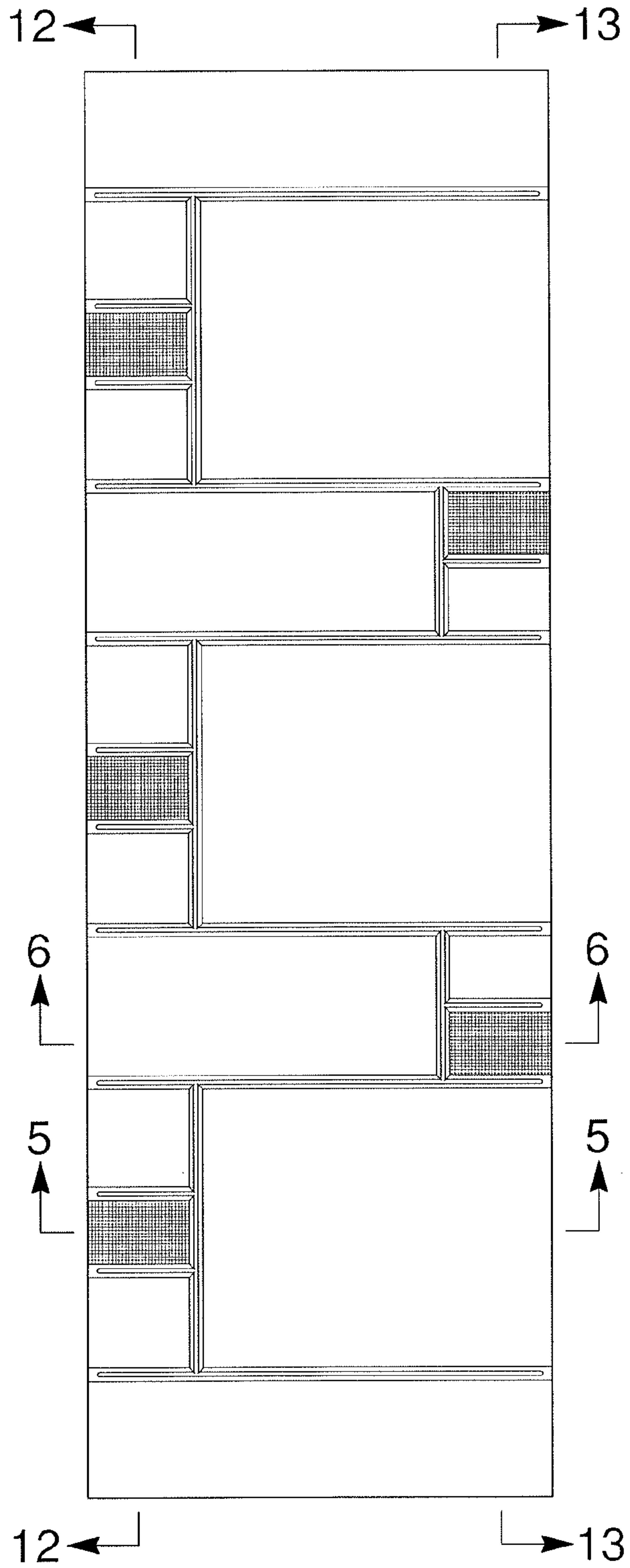


Fig. 12

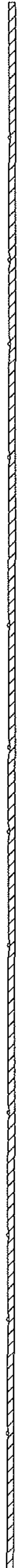


Fig. 13

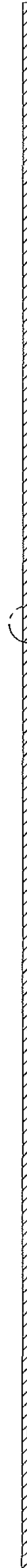


Fig. 14

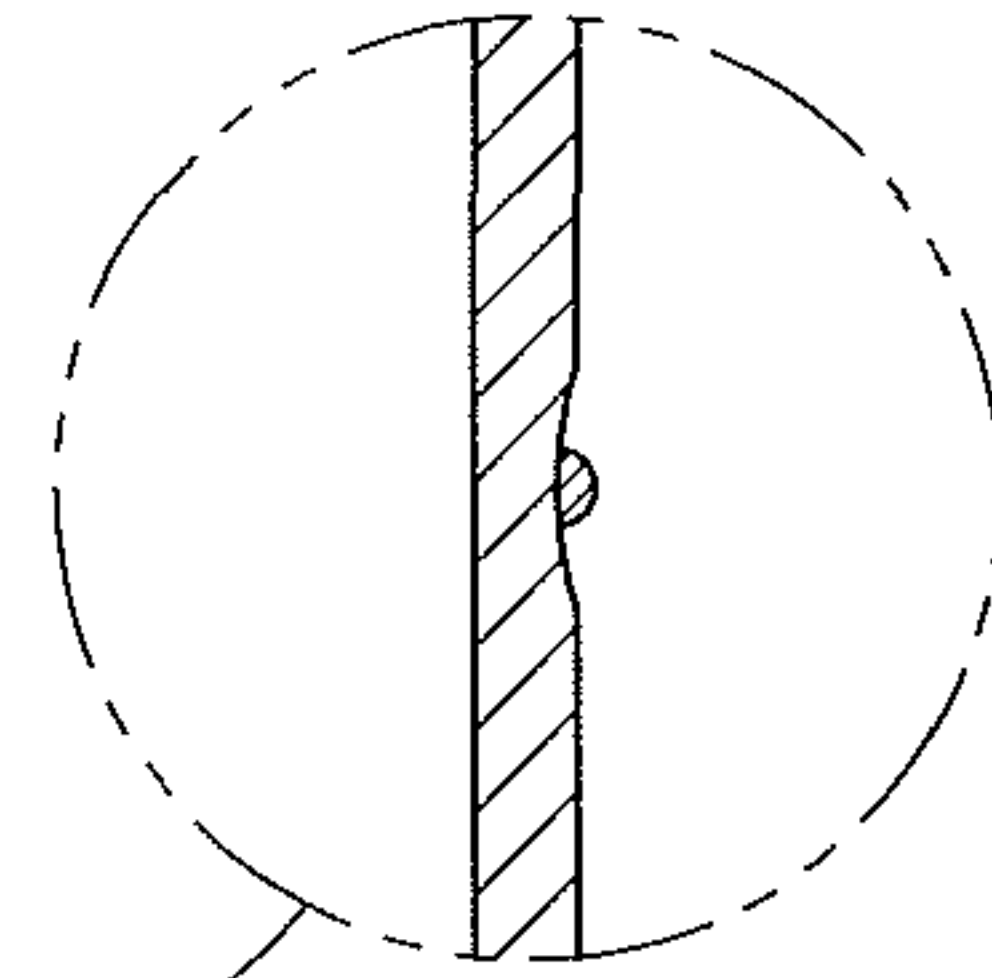


Fig. 15

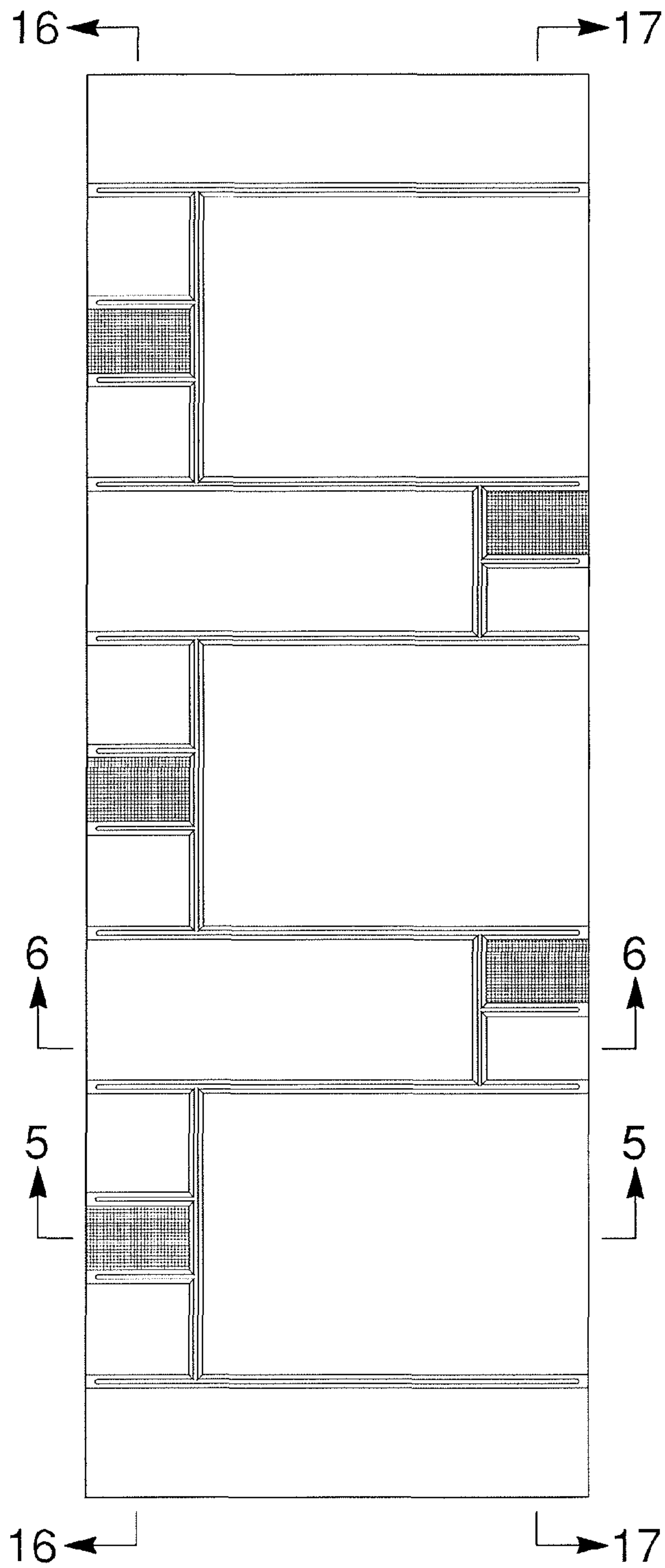


Fig. 16



Fig. 17



Fig. 18

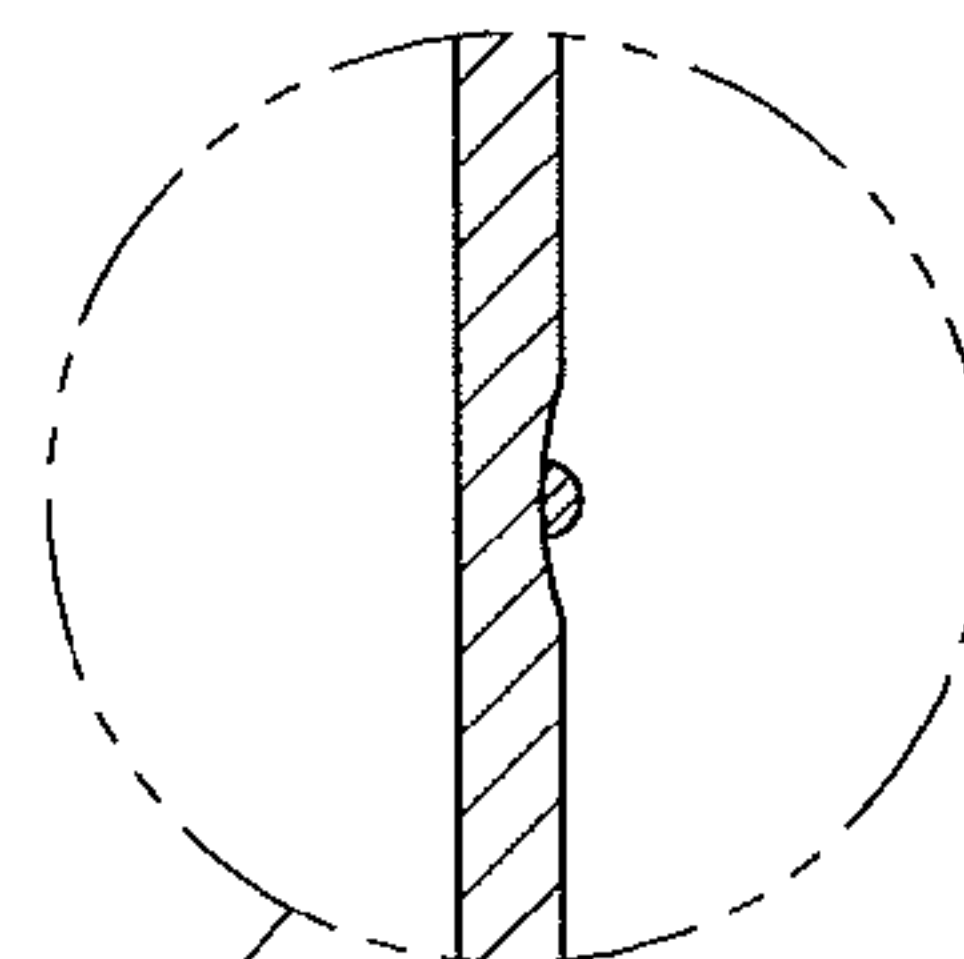


Fig. 19

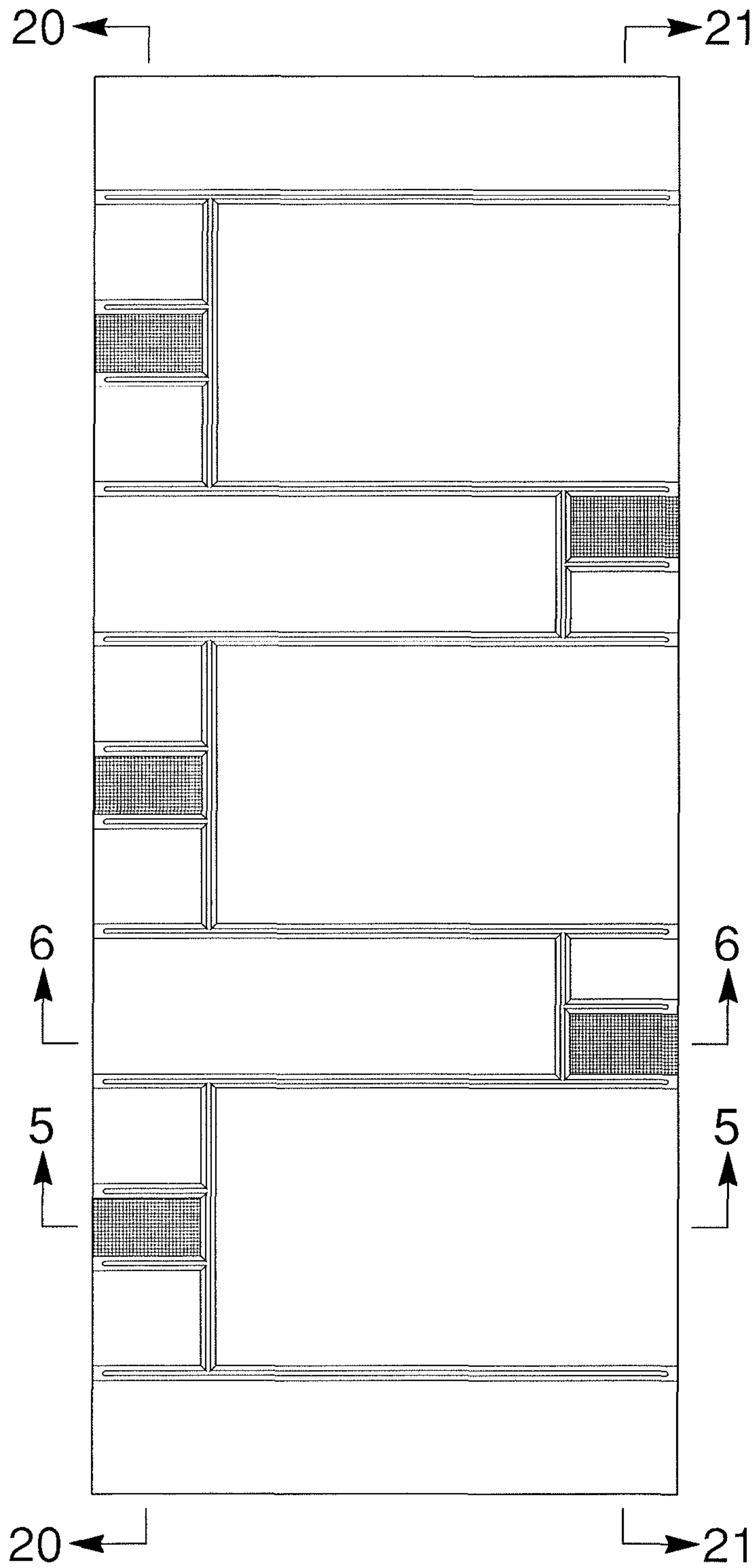


Fig. 20



Fig. 21

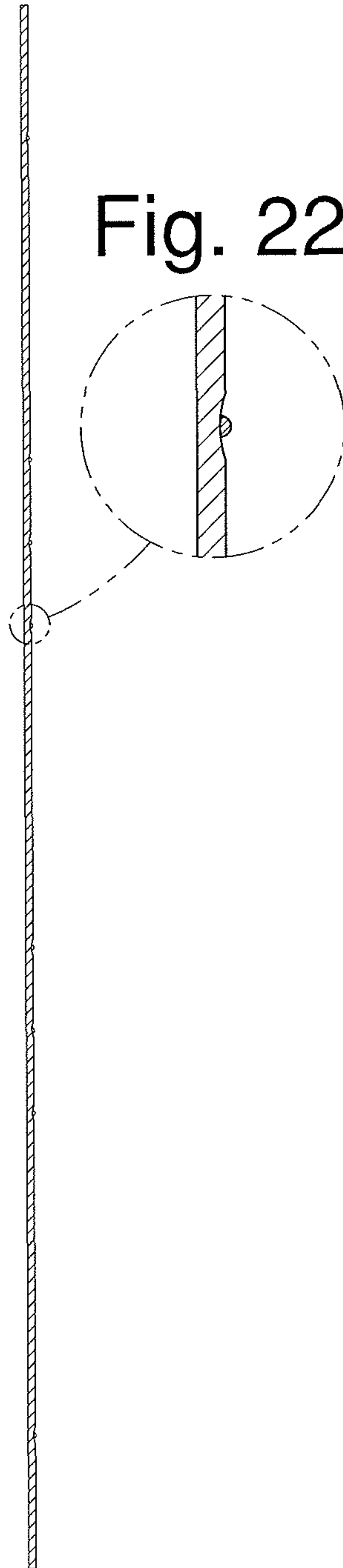


Fig. 23

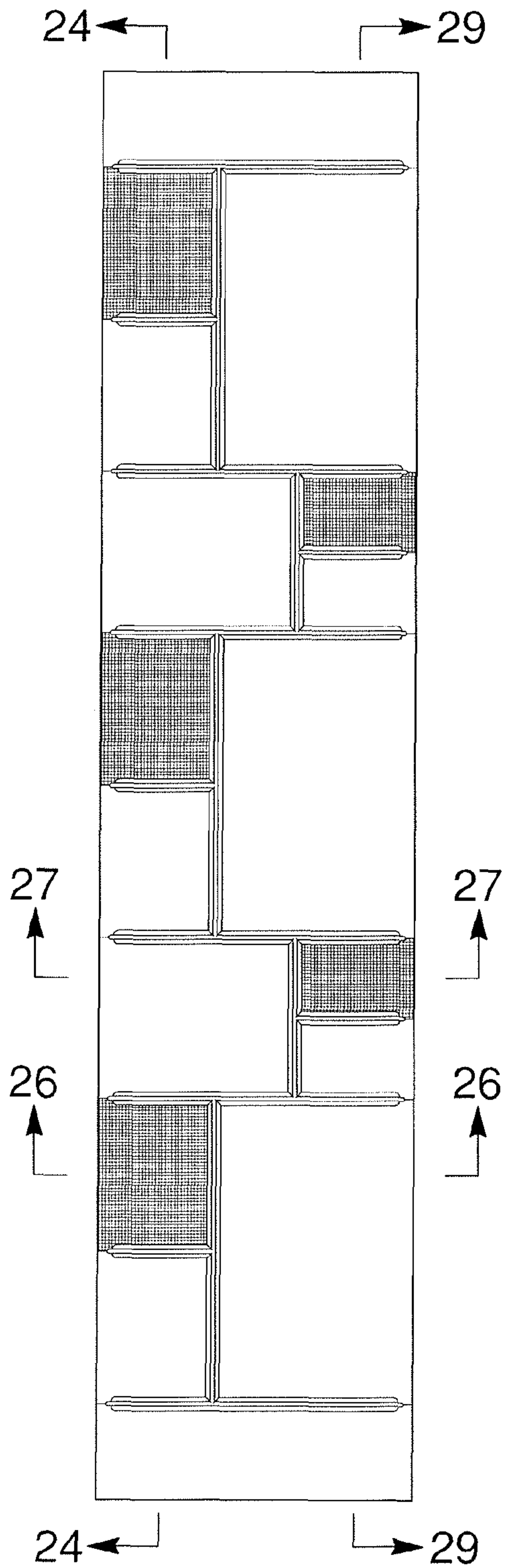


Fig. 24

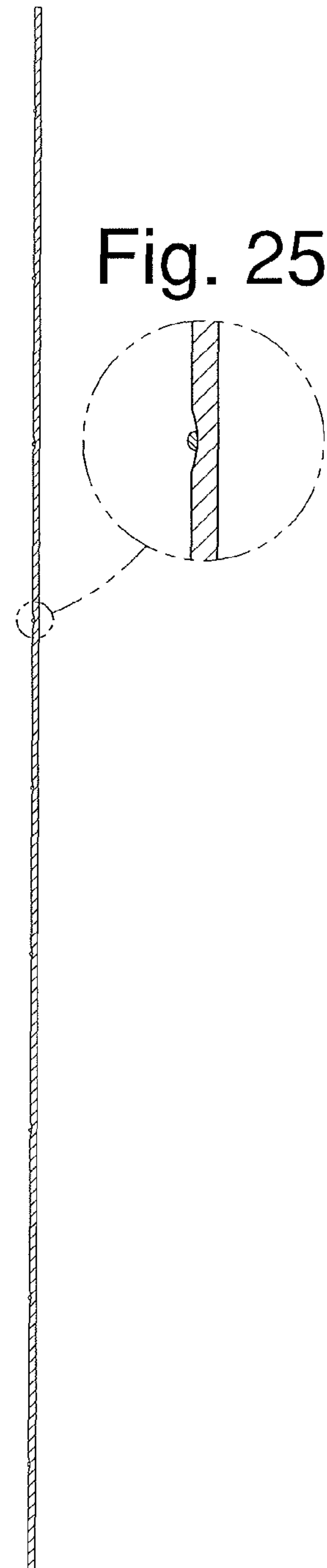


Fig. 26



Fig. 27



Fig. 28

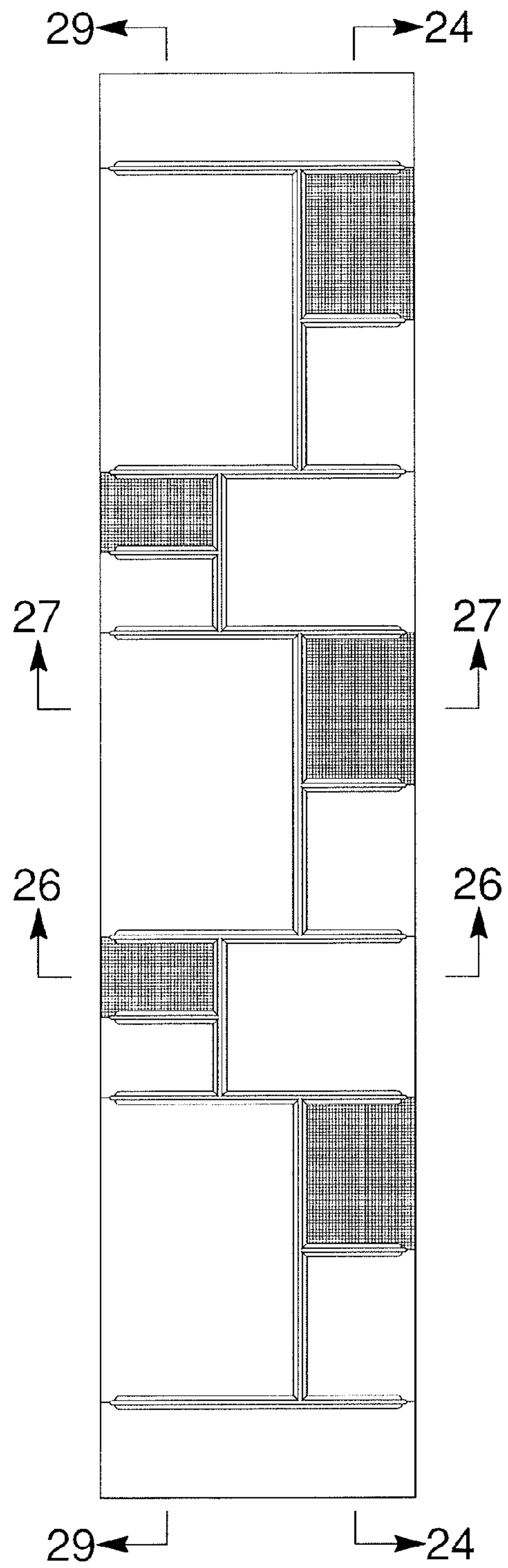


Fig. 29

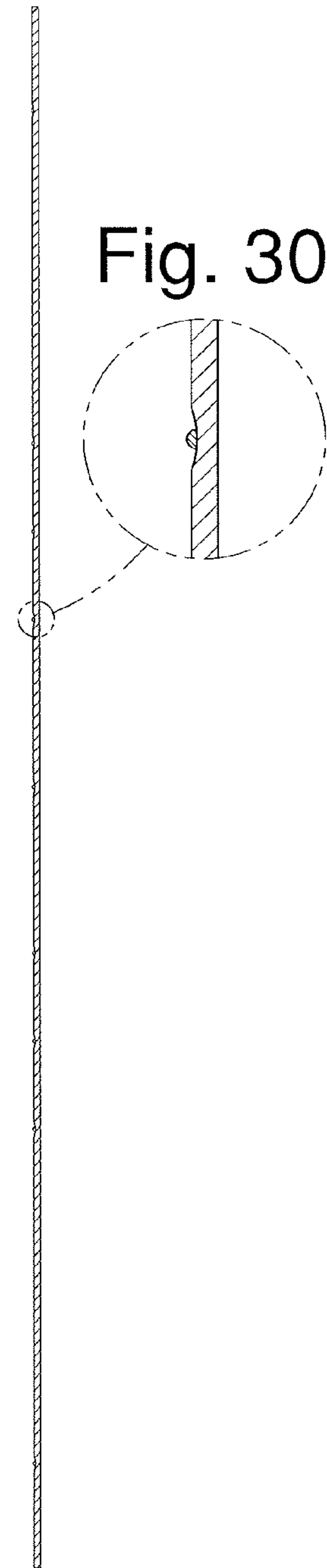


Fig. 31



Fig. 32



Fig. 33

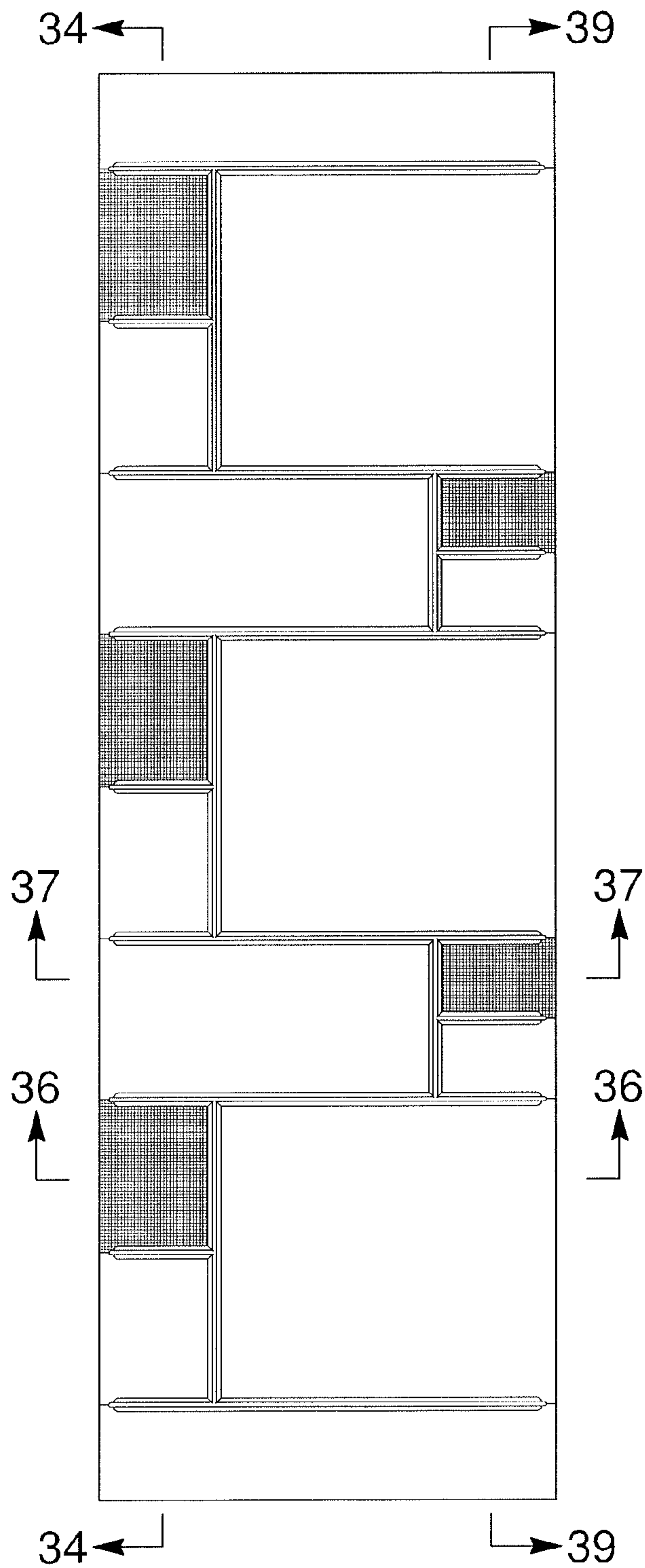


Fig. 34

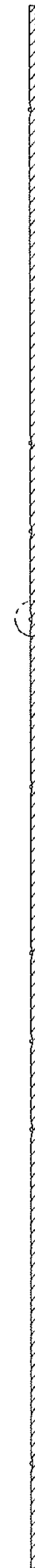


Fig. 35

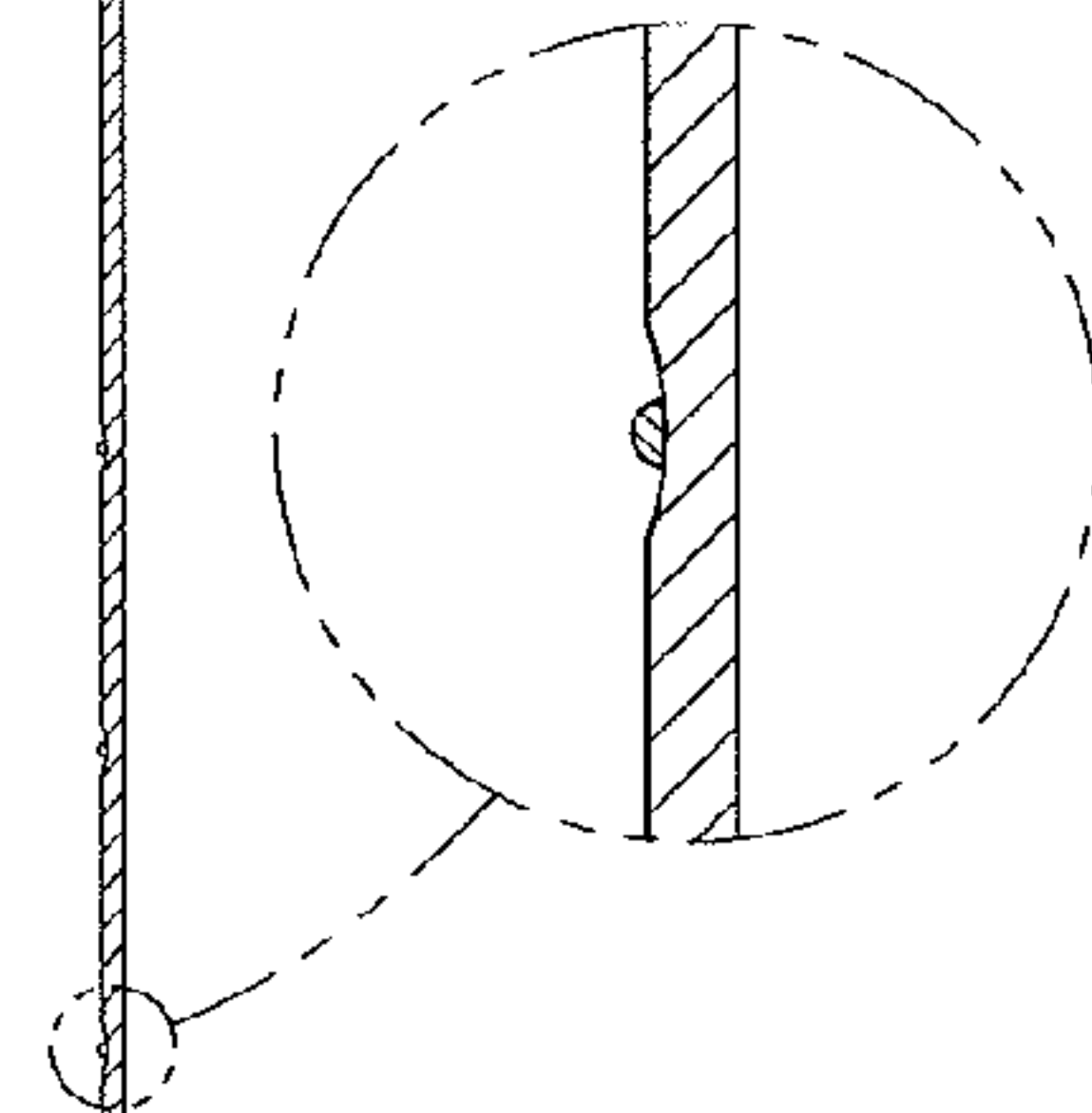


Fig. 36



Fig. 37

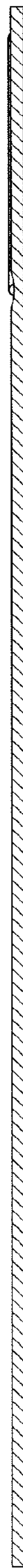


Fig. 38

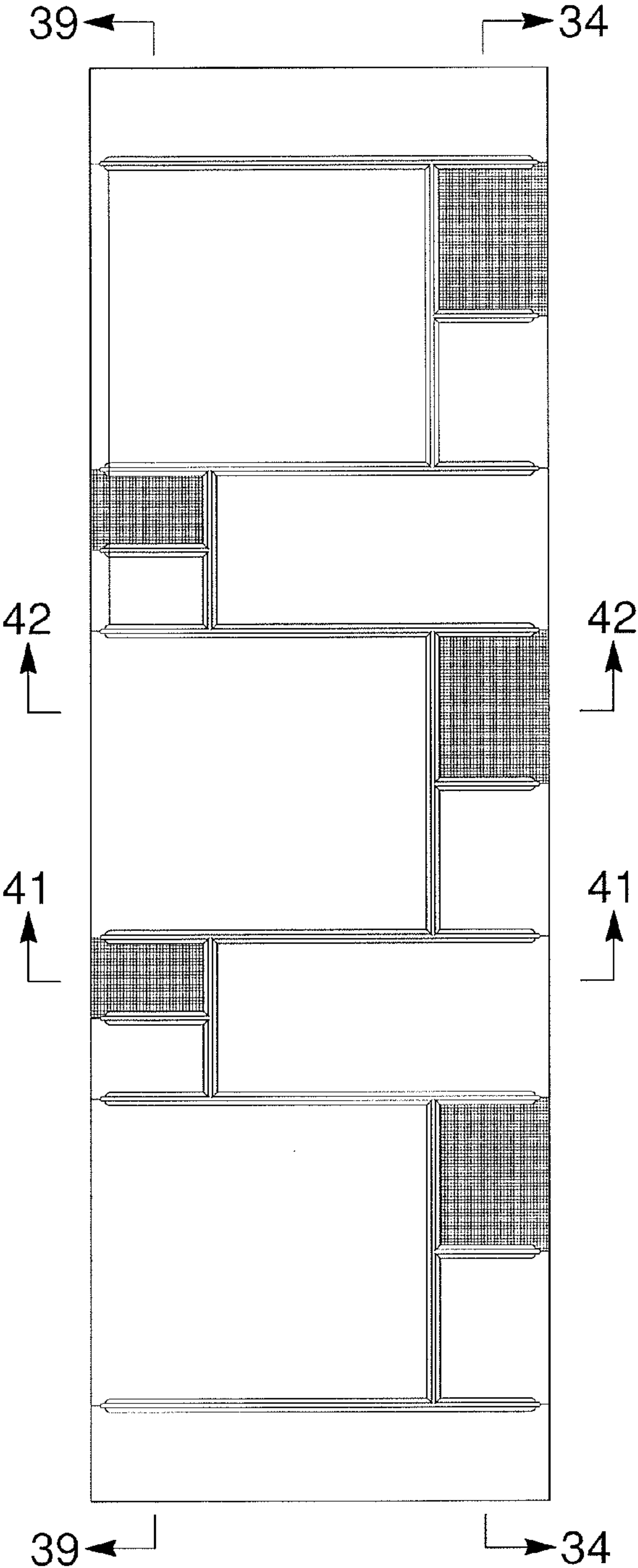


Fig. 39



Fig. 40

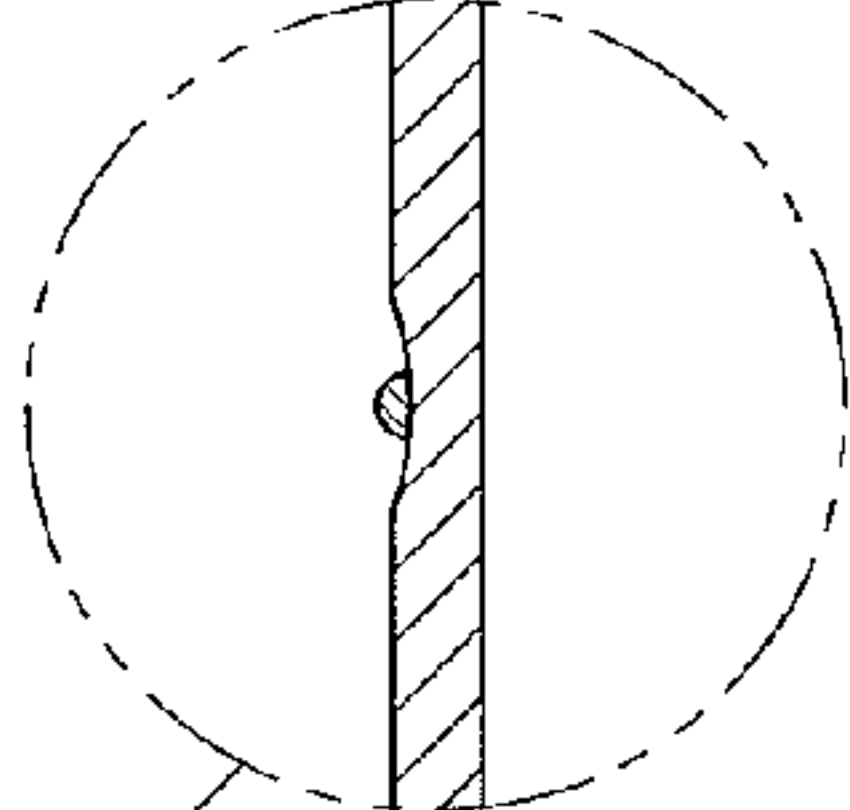


Fig. 41



Fig. 42



Fig. 43

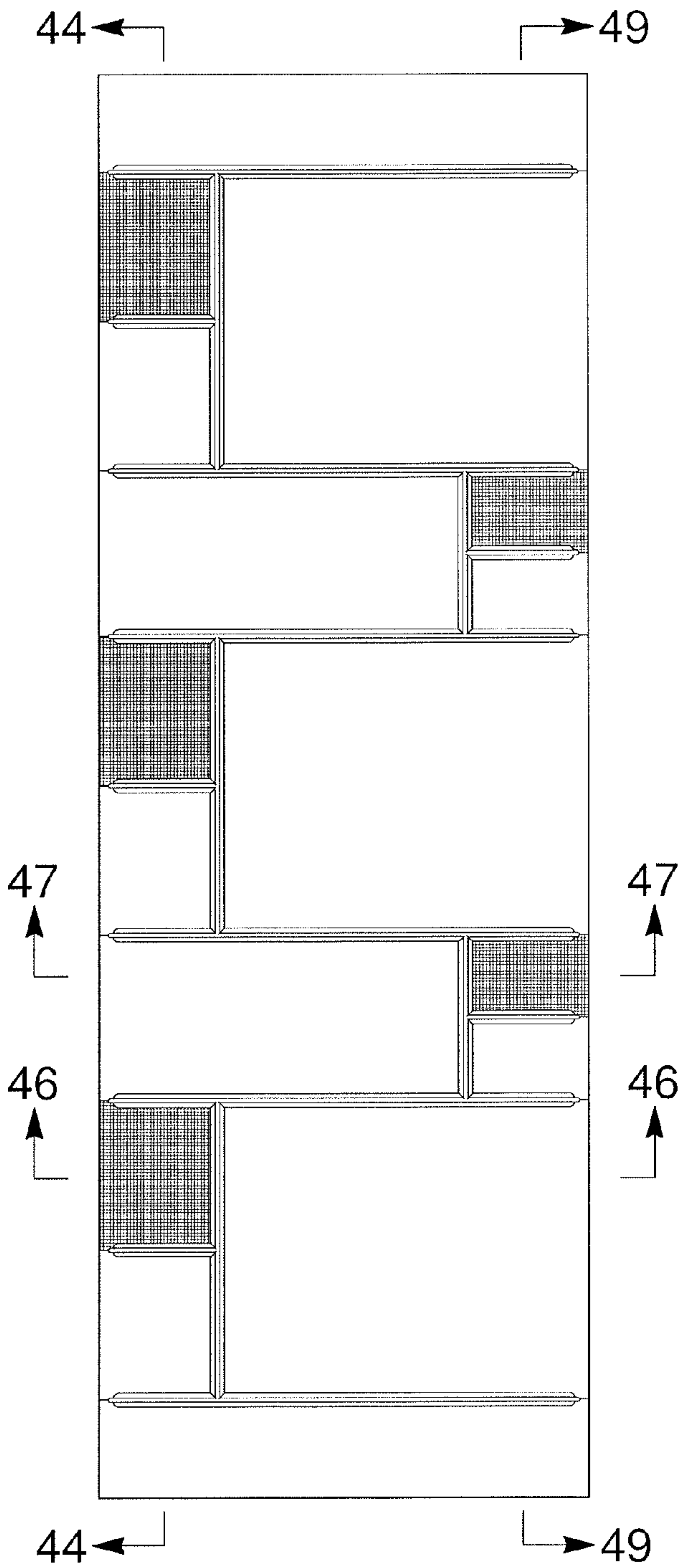


Fig. 44

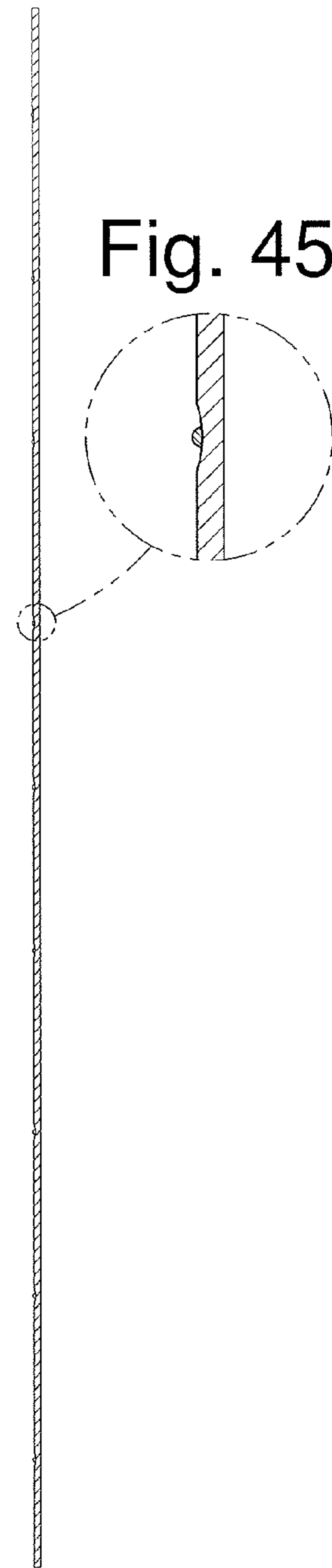


Fig. 46



Fig. 47



Fig. 48

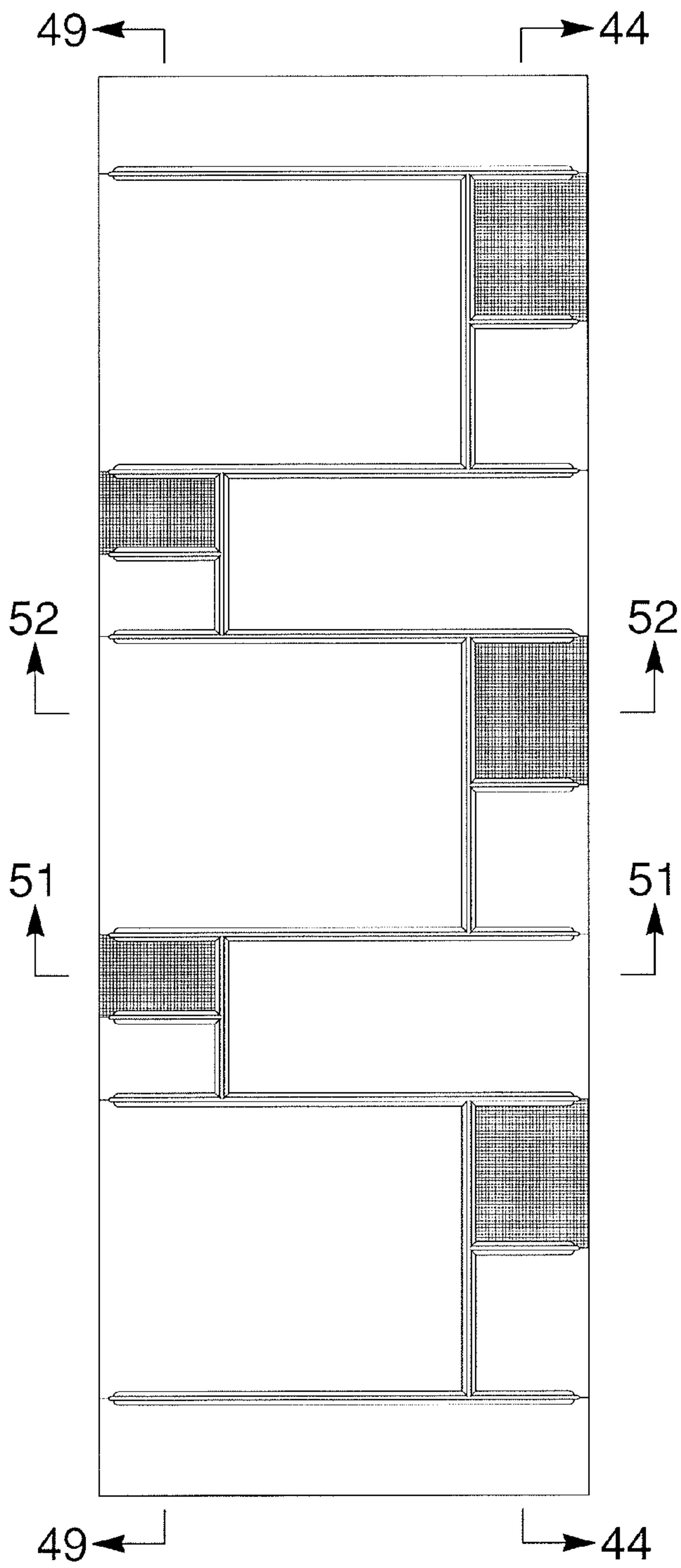


Fig. 49

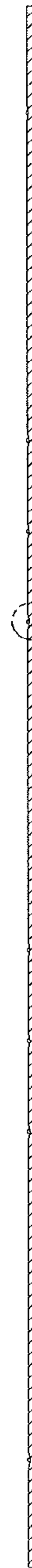


Fig. 50

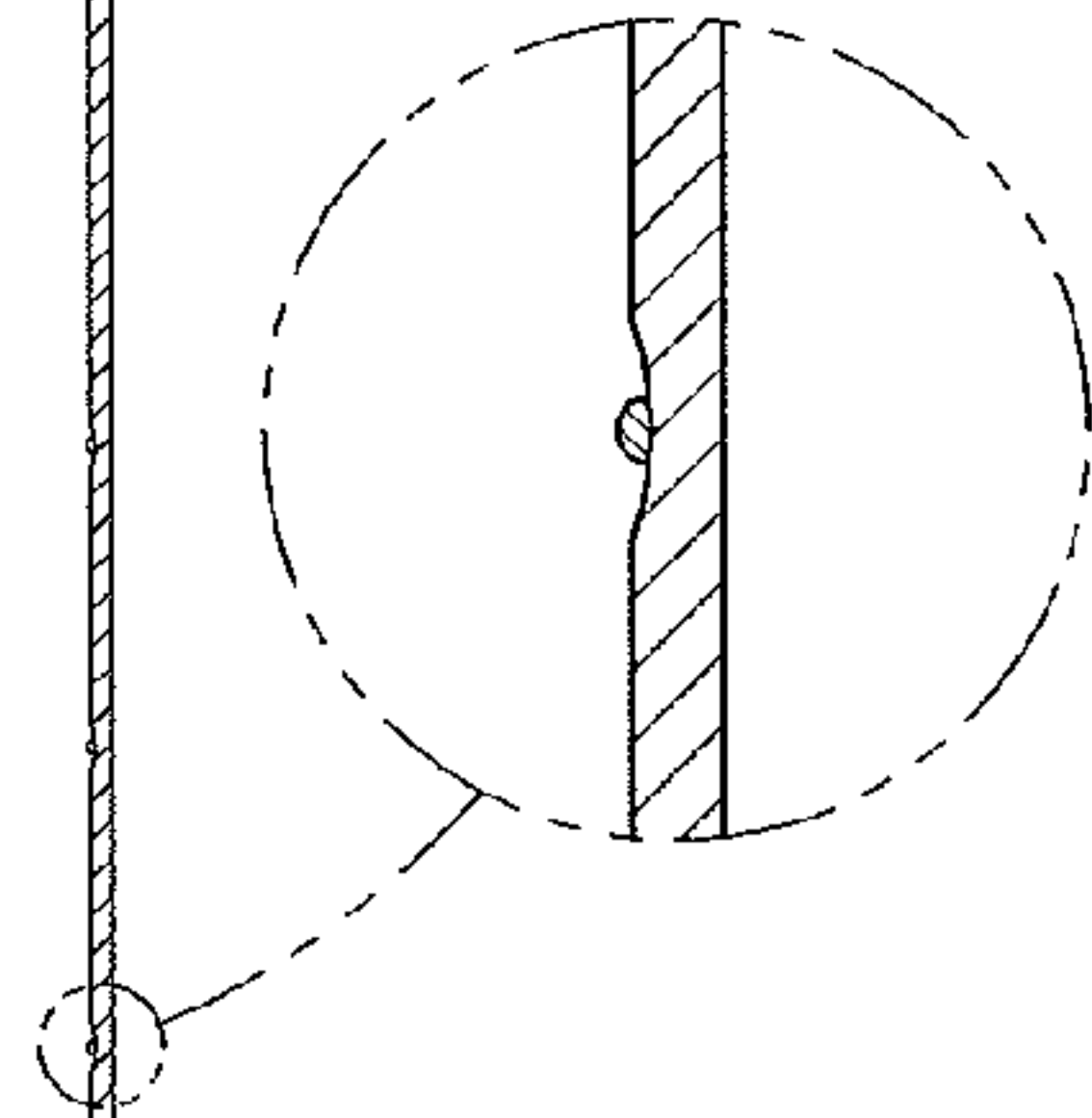


Fig. 51



Fig. 52



Fig. 53

Fig. 54

Fig. 55

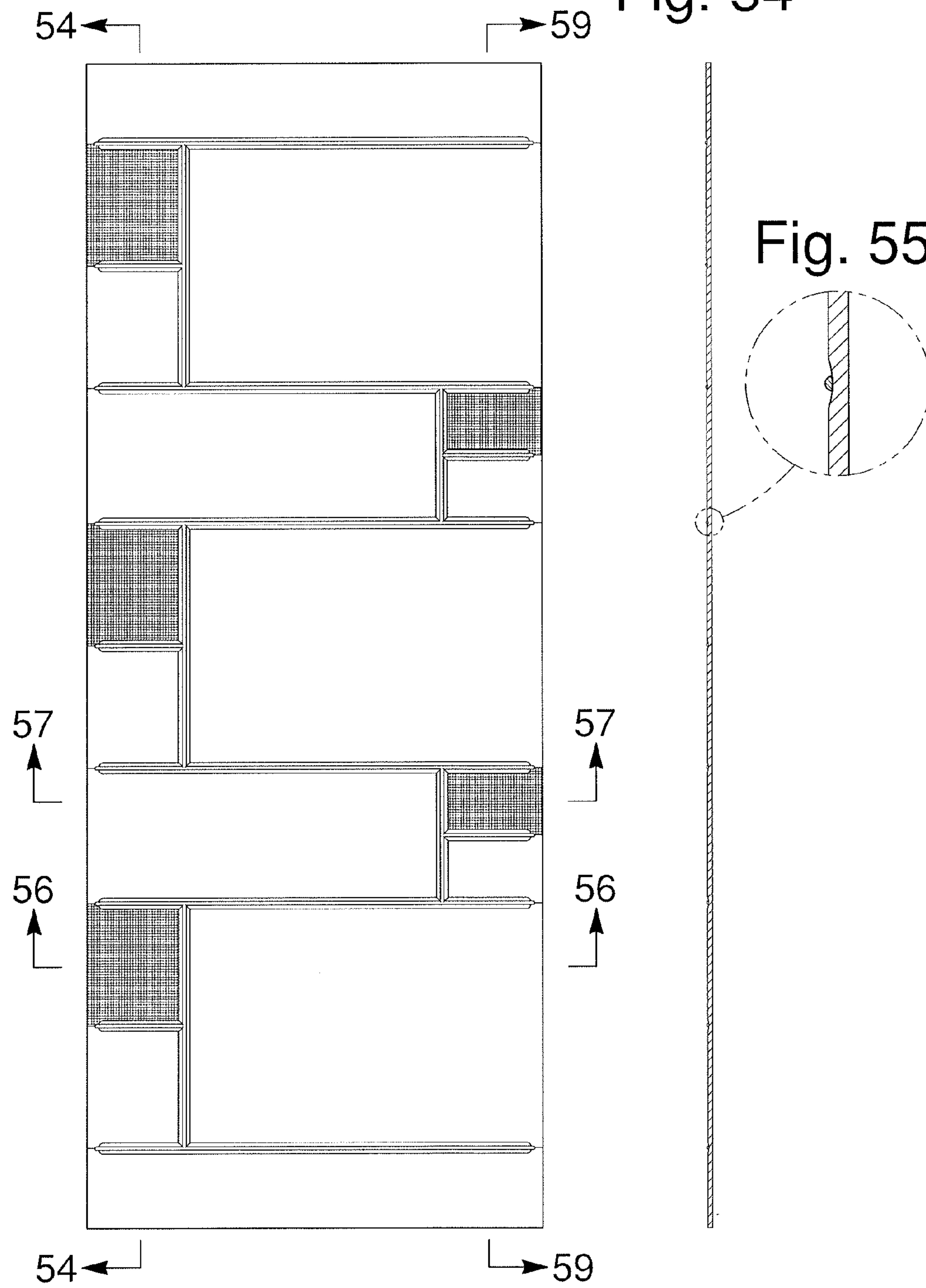


Fig. 56



Fig. 57



Fig. 58

Fig. 59

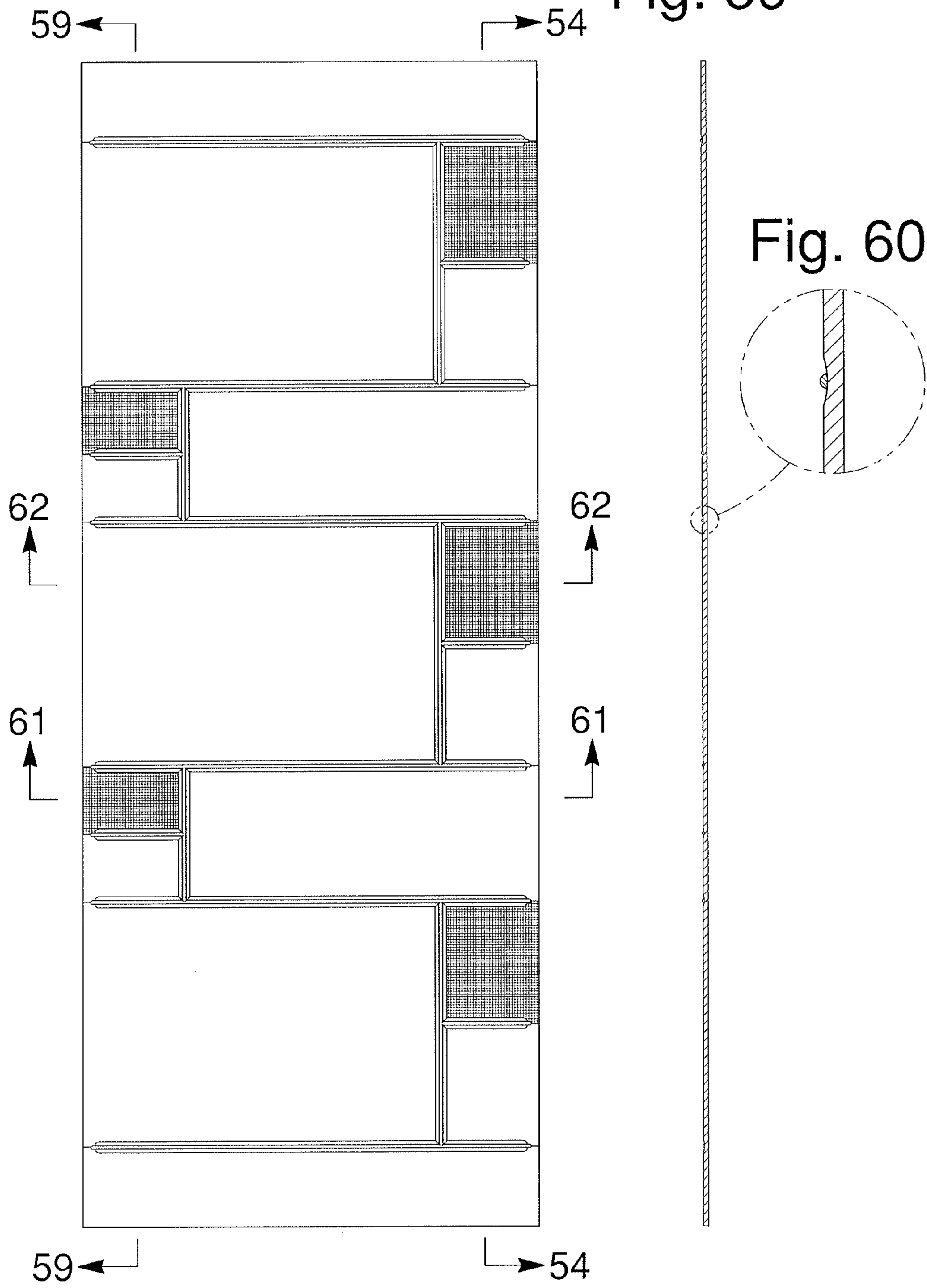


Fig. 61



Fig. 62



Fig. 63

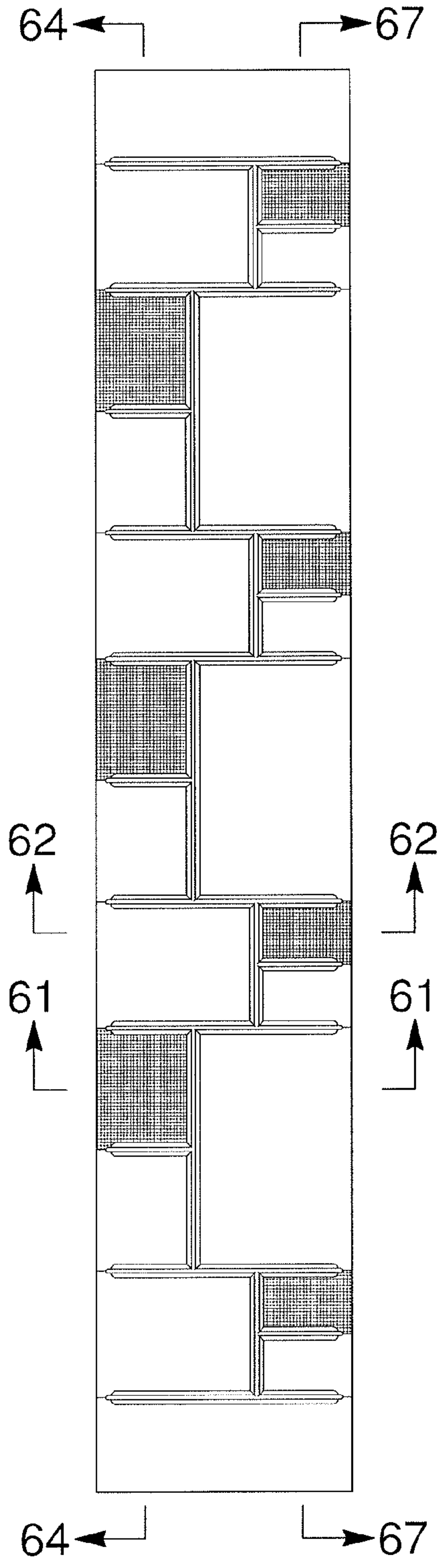


Fig. 64

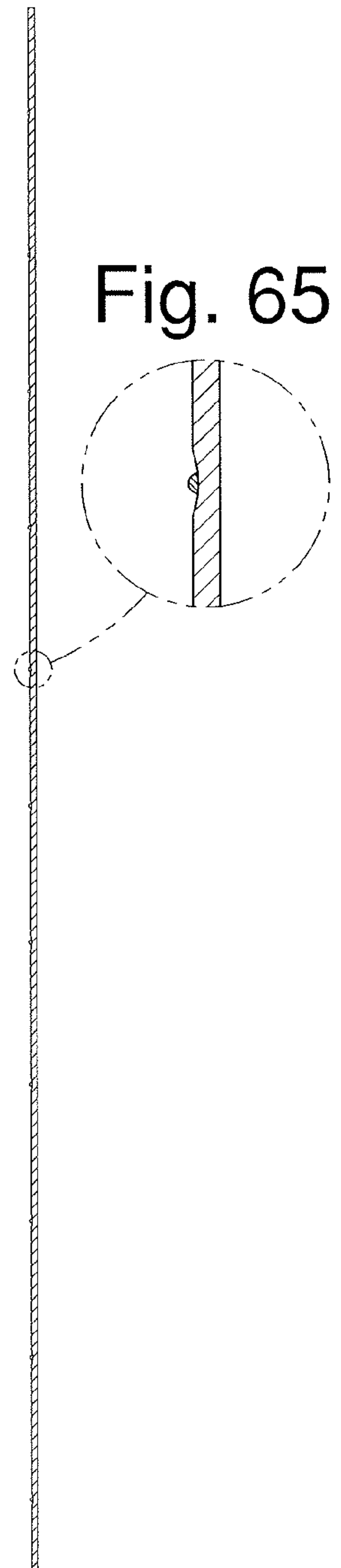


Fig. 66

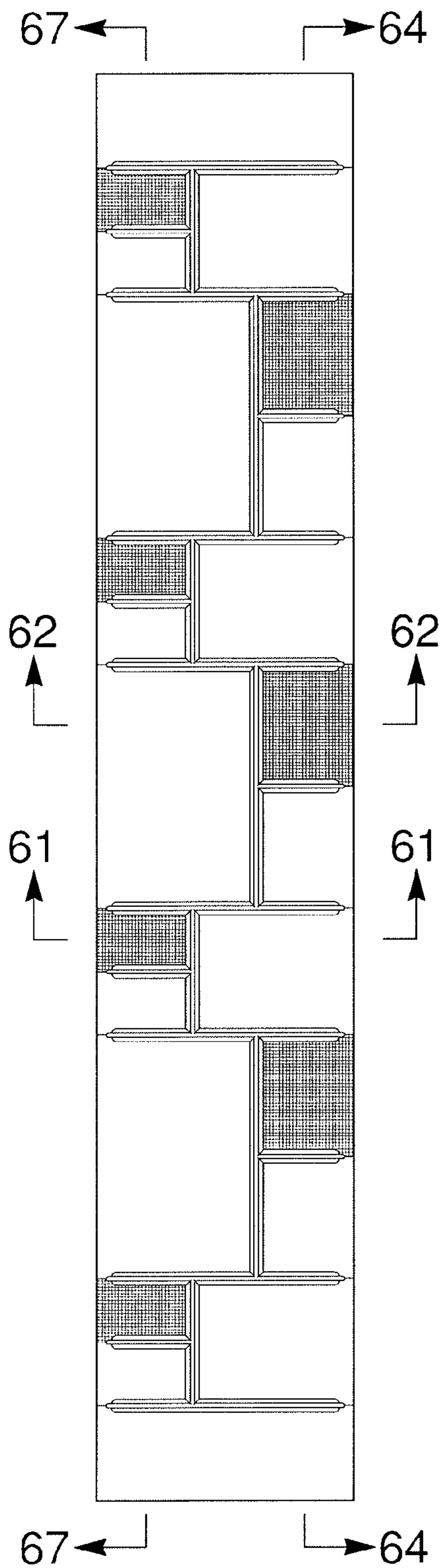


Fig. 67

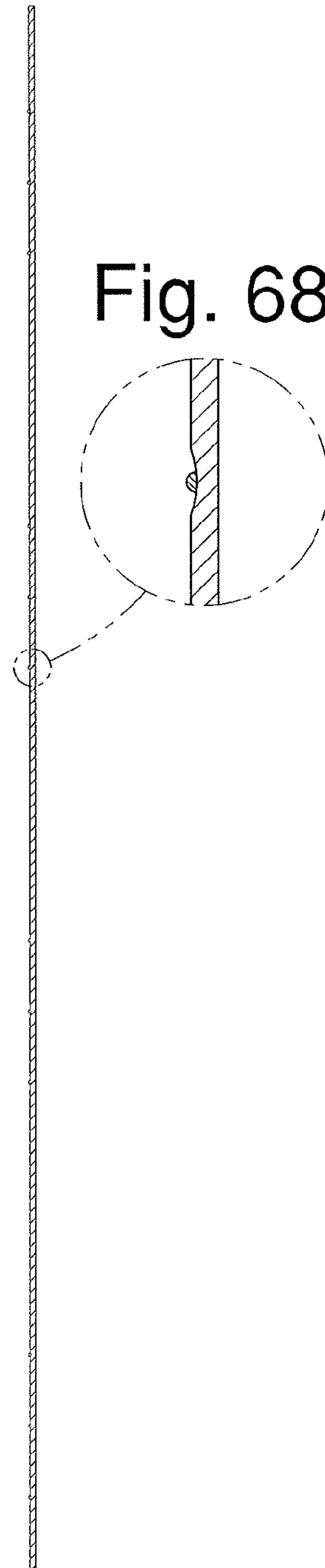


Fig. 69

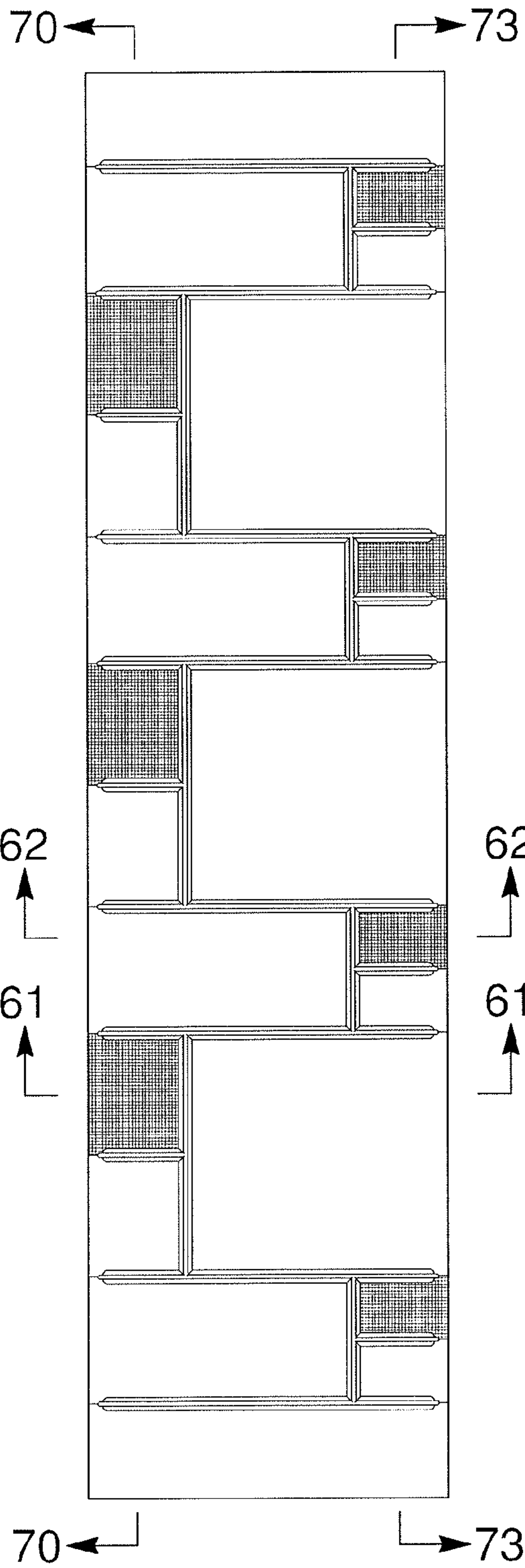


Fig. 70

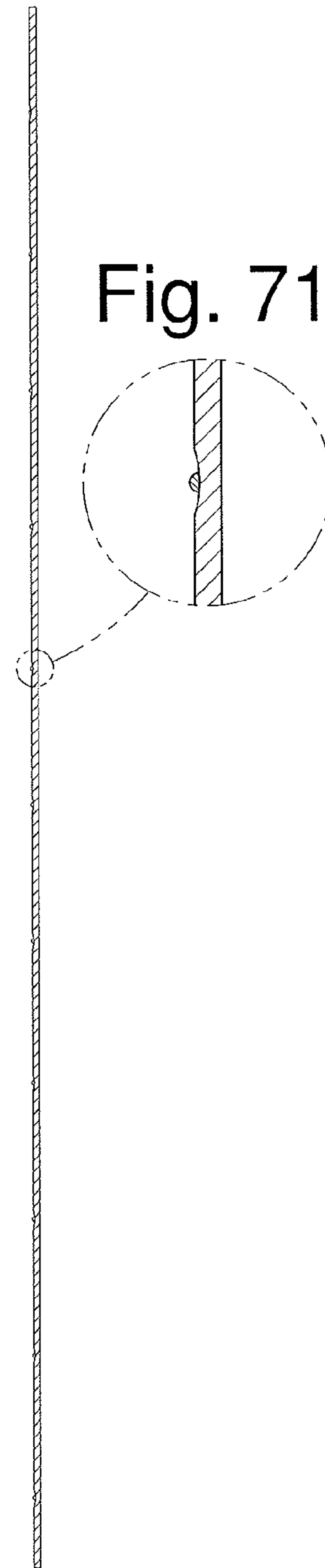


Fig. 72

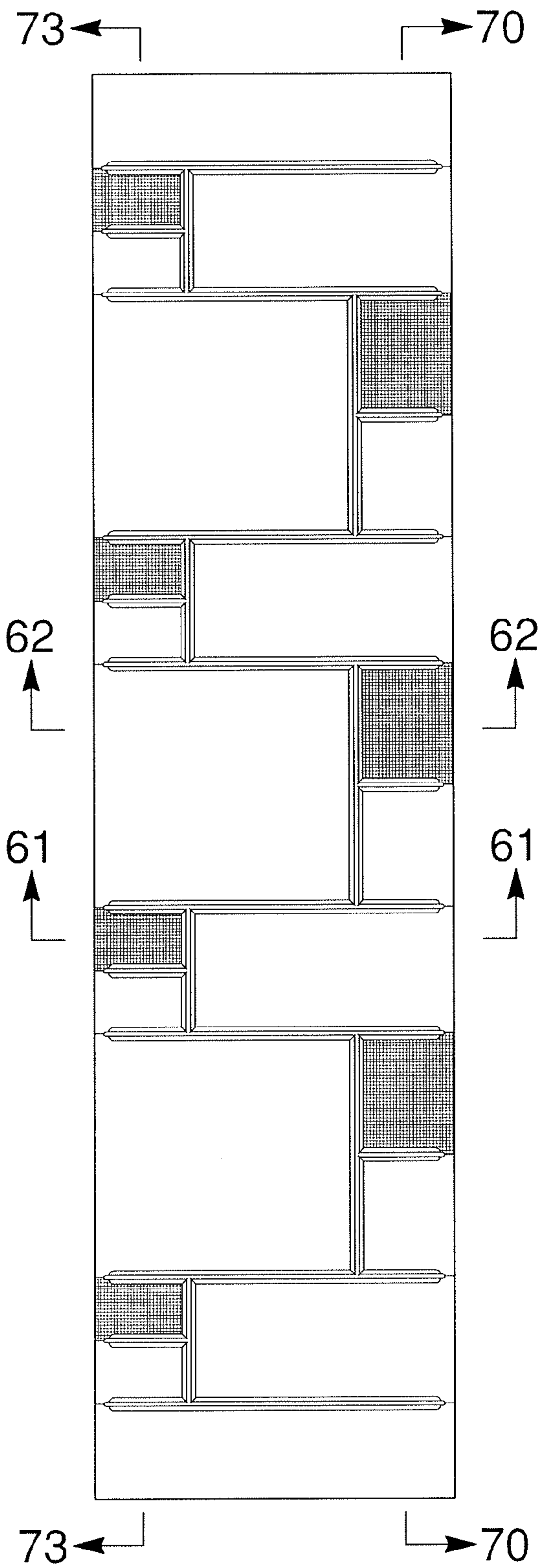


Fig. 73

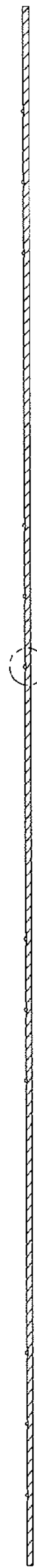


Fig. 74

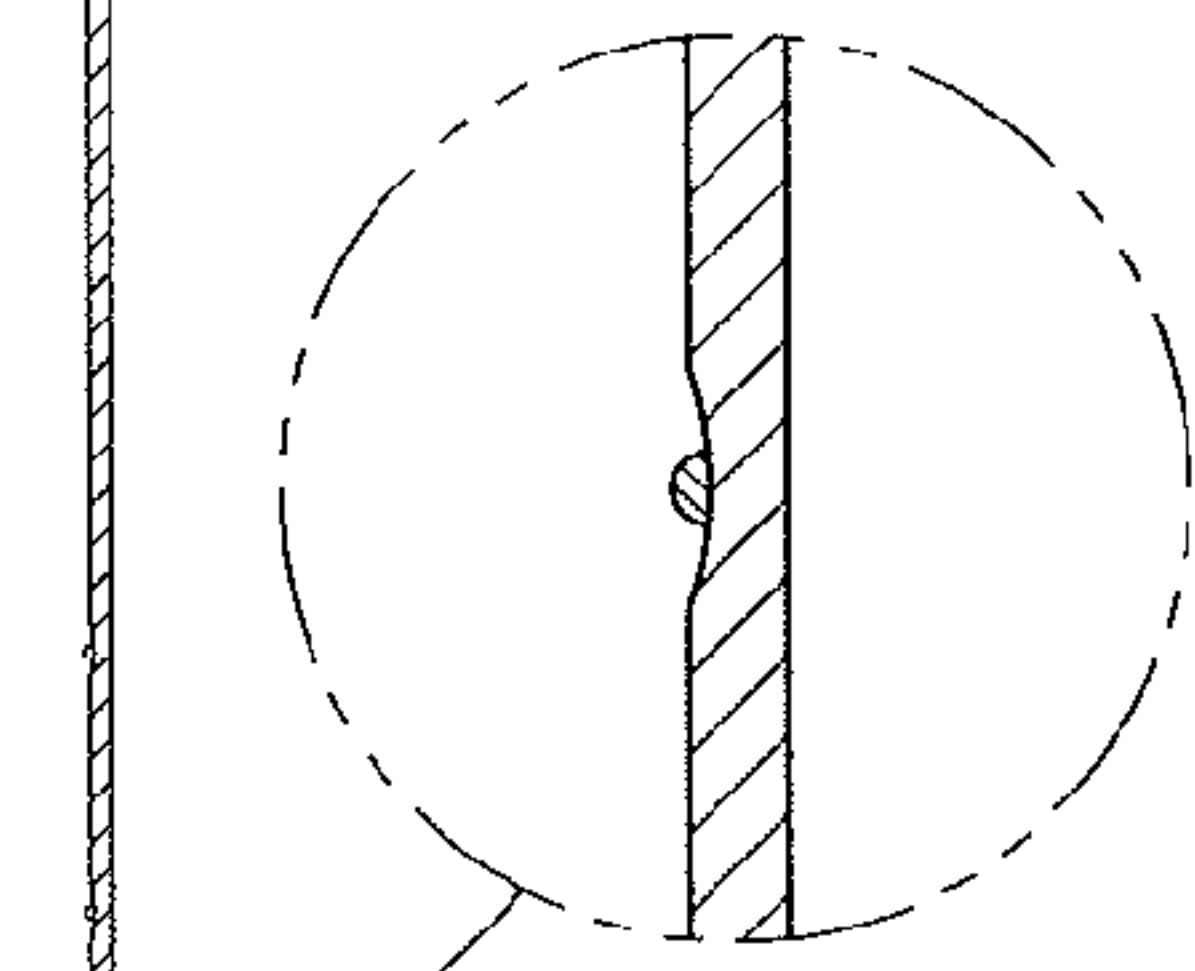


Fig. 75

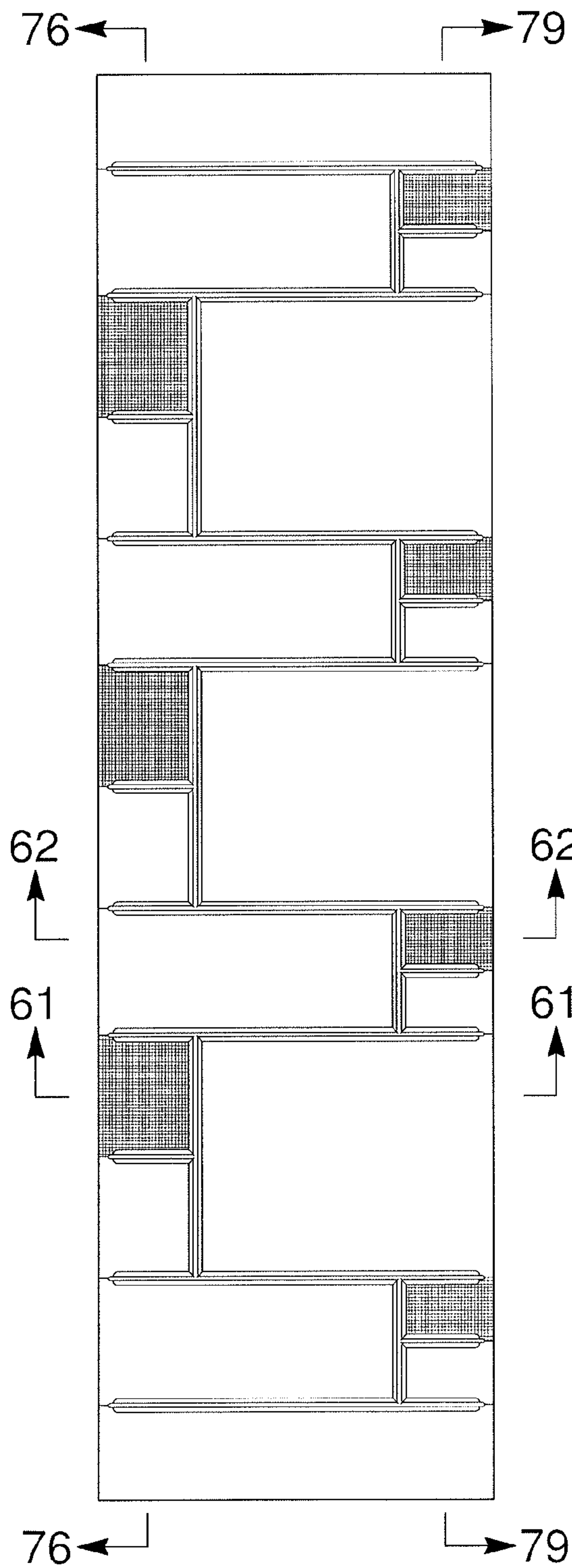


Fig. 76



Fig. 77

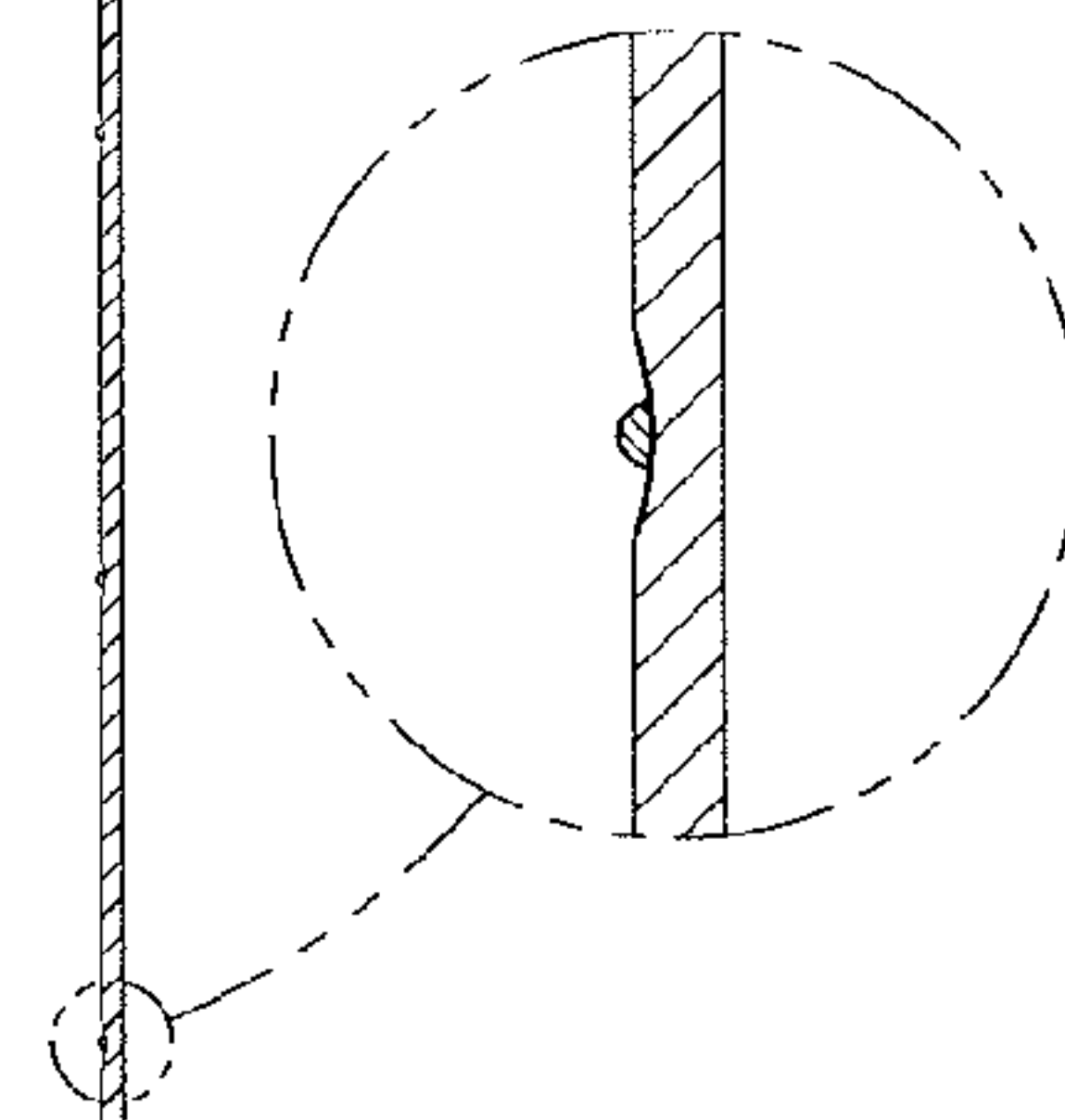


Fig. 78

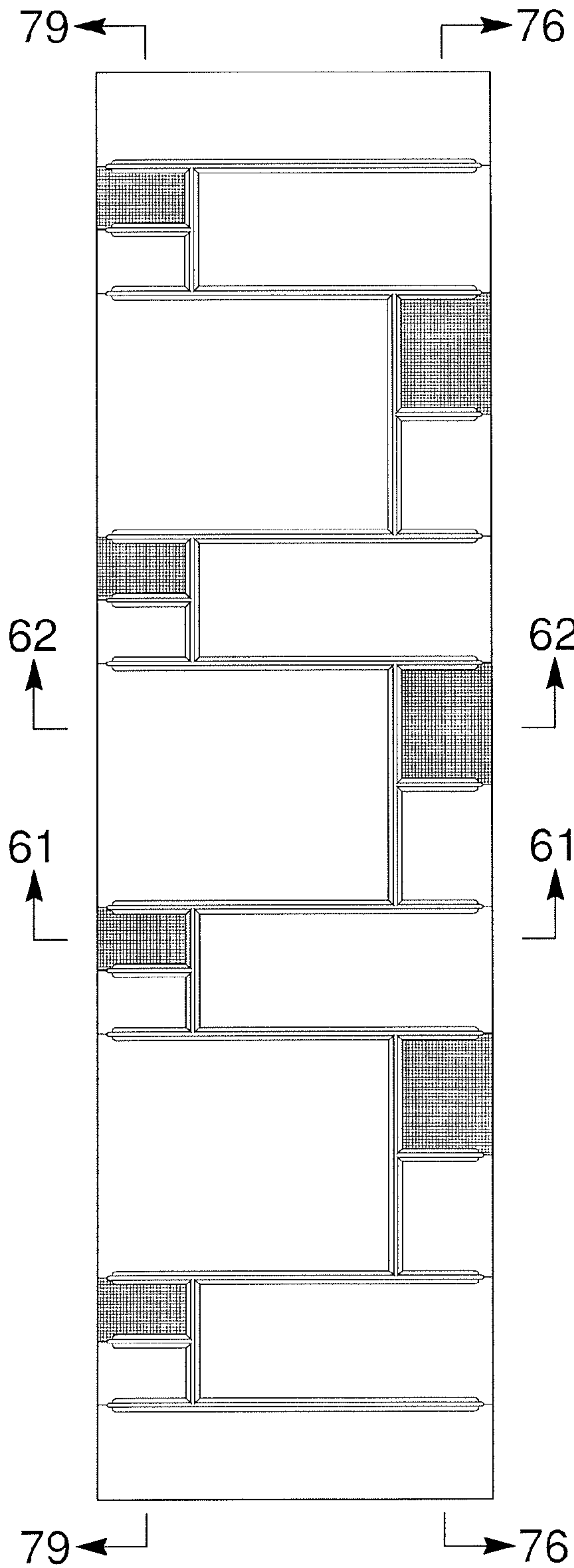


Fig. 79

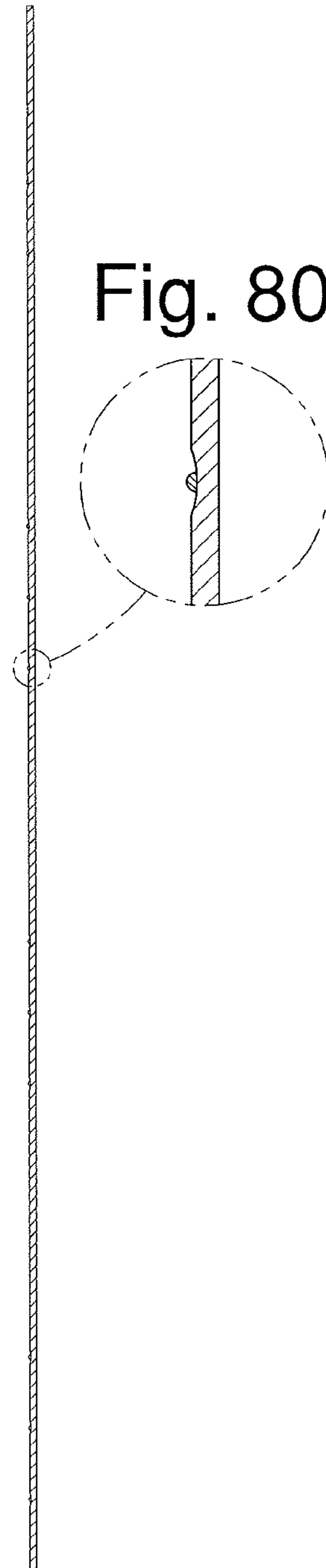


Fig. 81

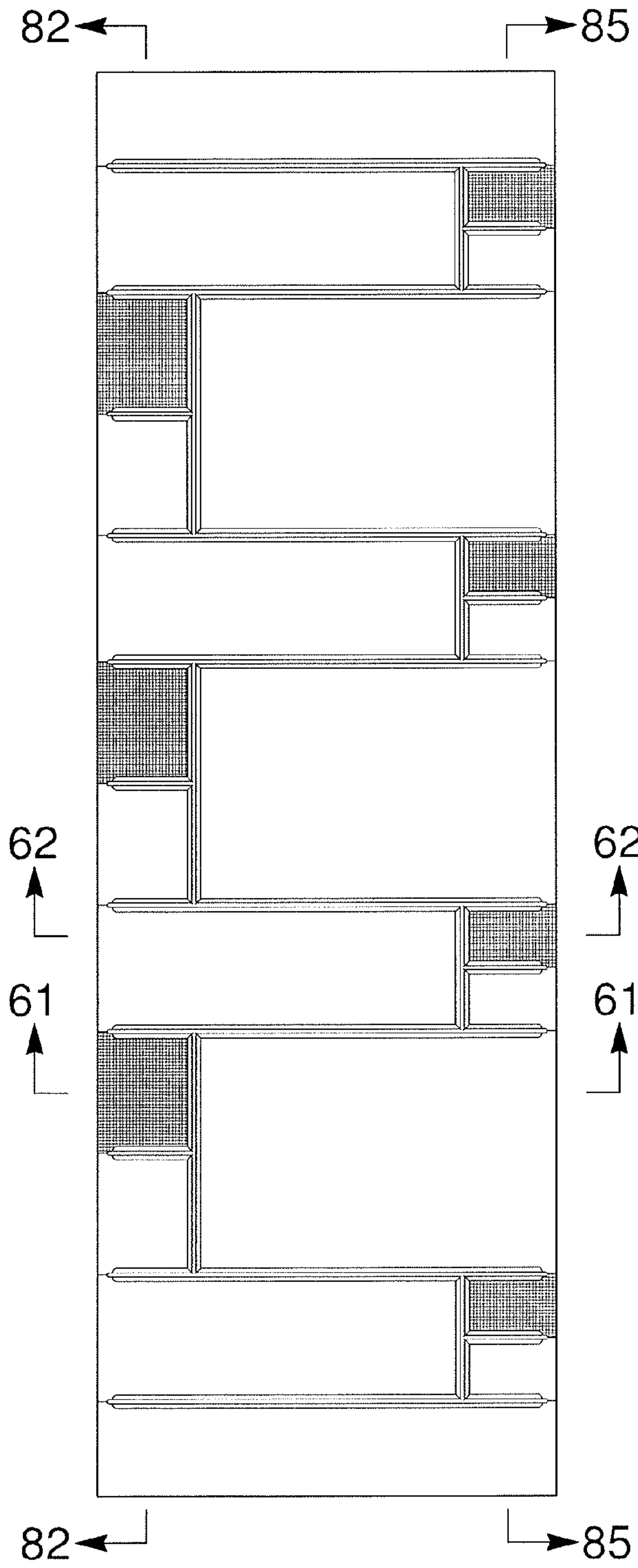


Fig. 82



Fig. 83

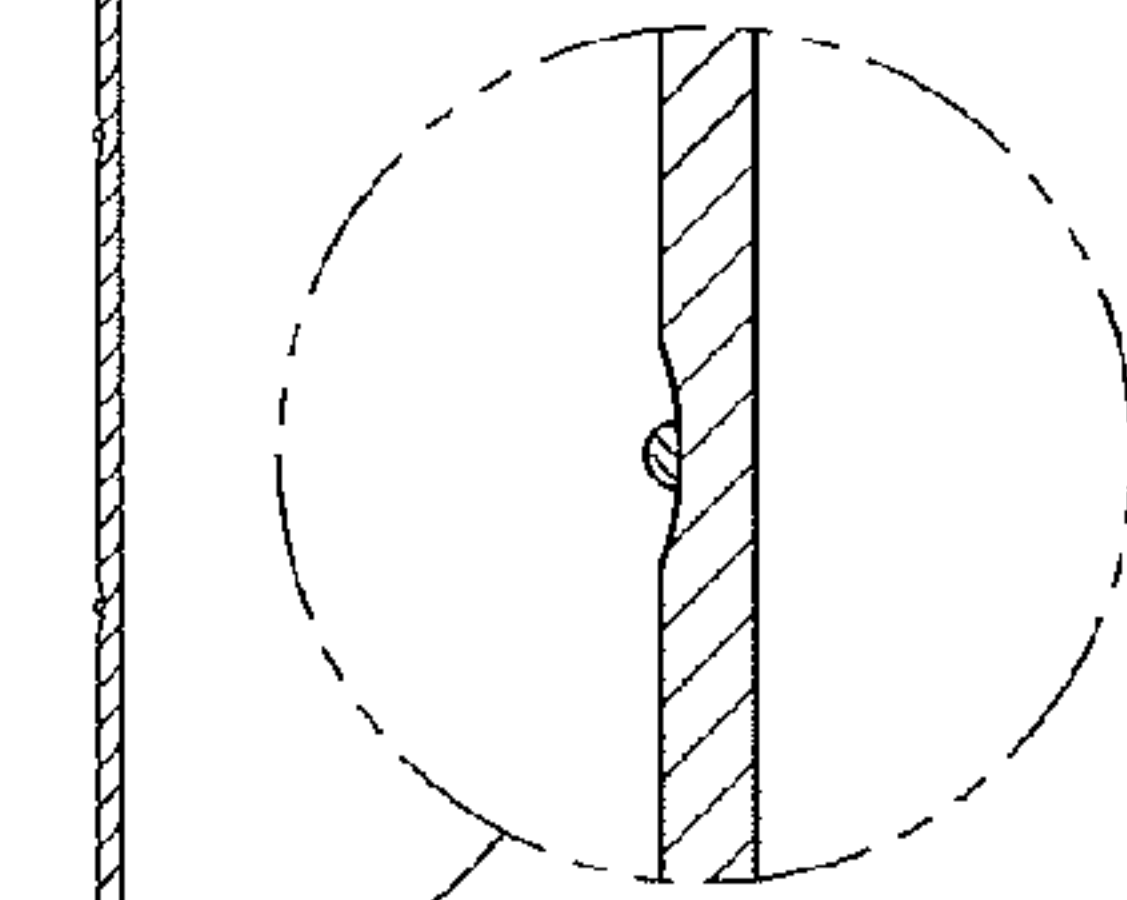


Fig. 84

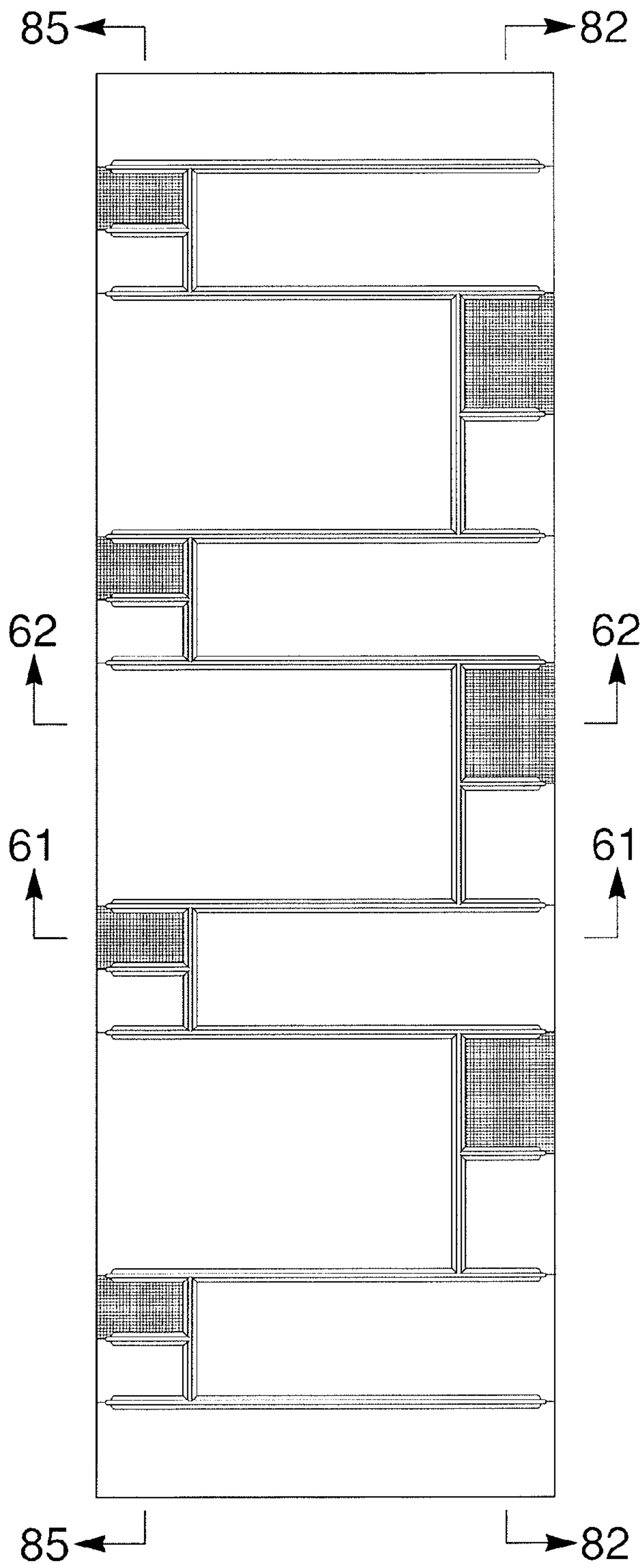


Fig. 85

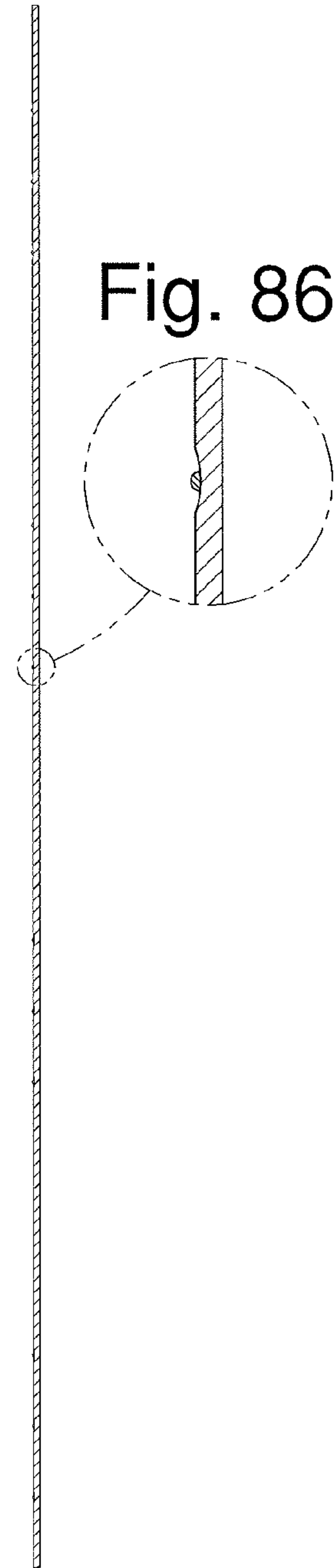


Fig. 87

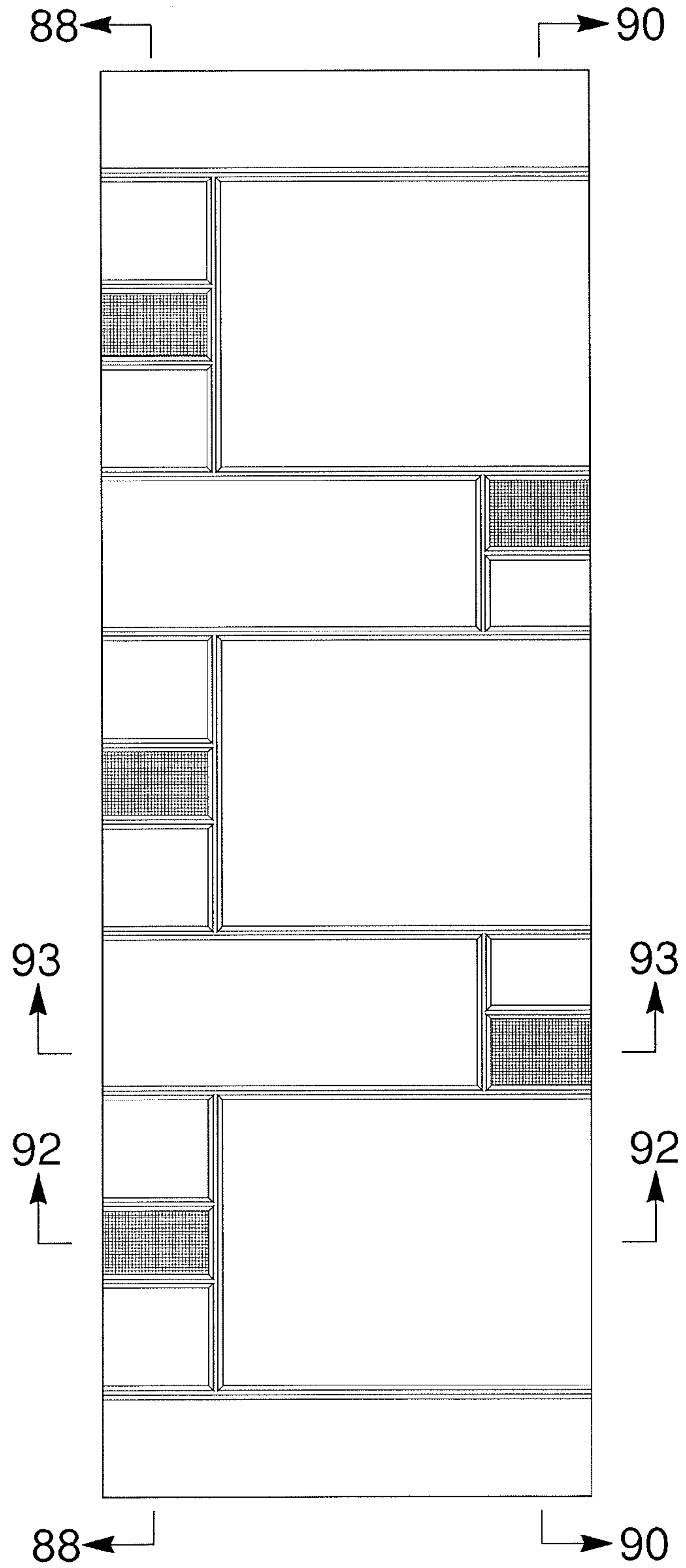


Fig. 88

Fig. 90

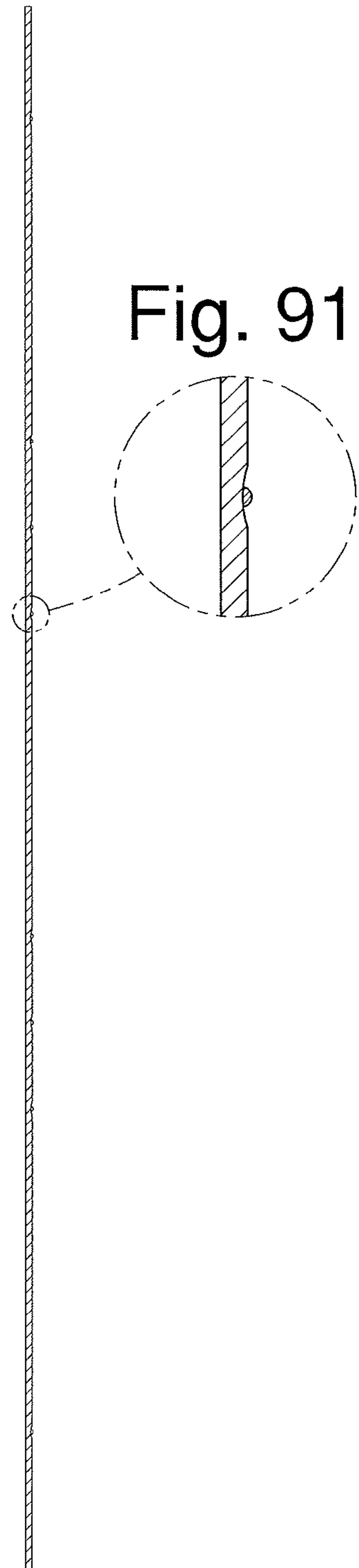
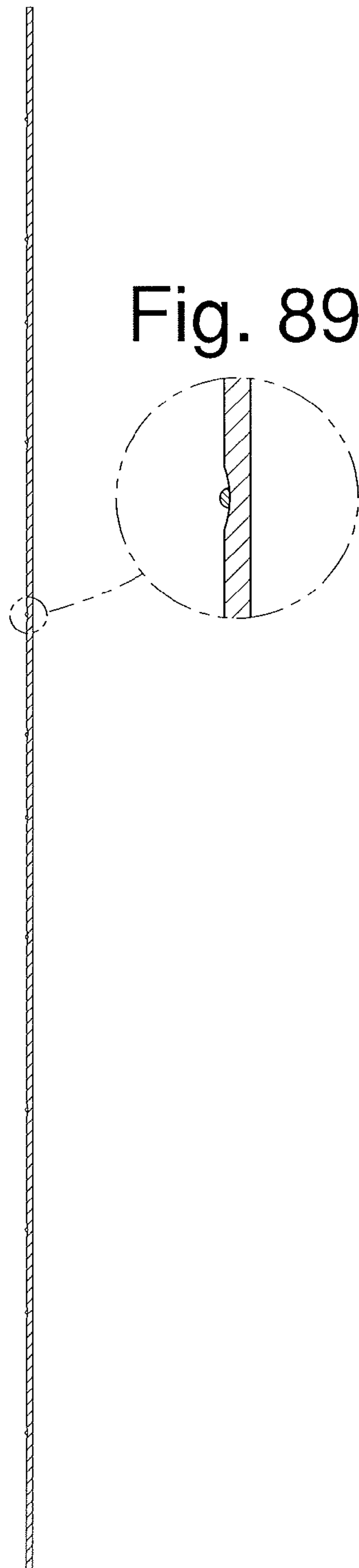


Fig. 92



Fig. 93



Fig. 94

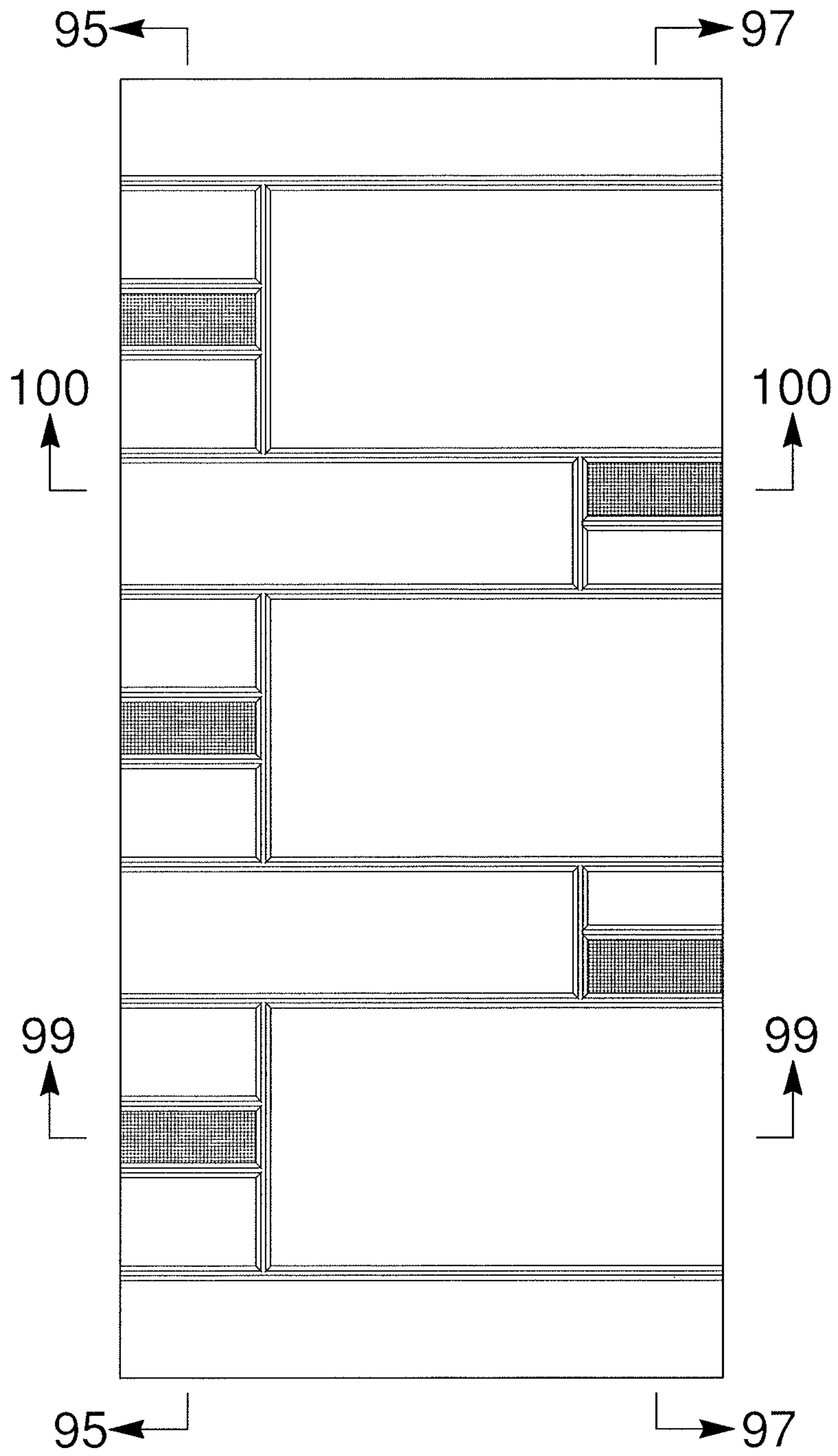


Fig. 95

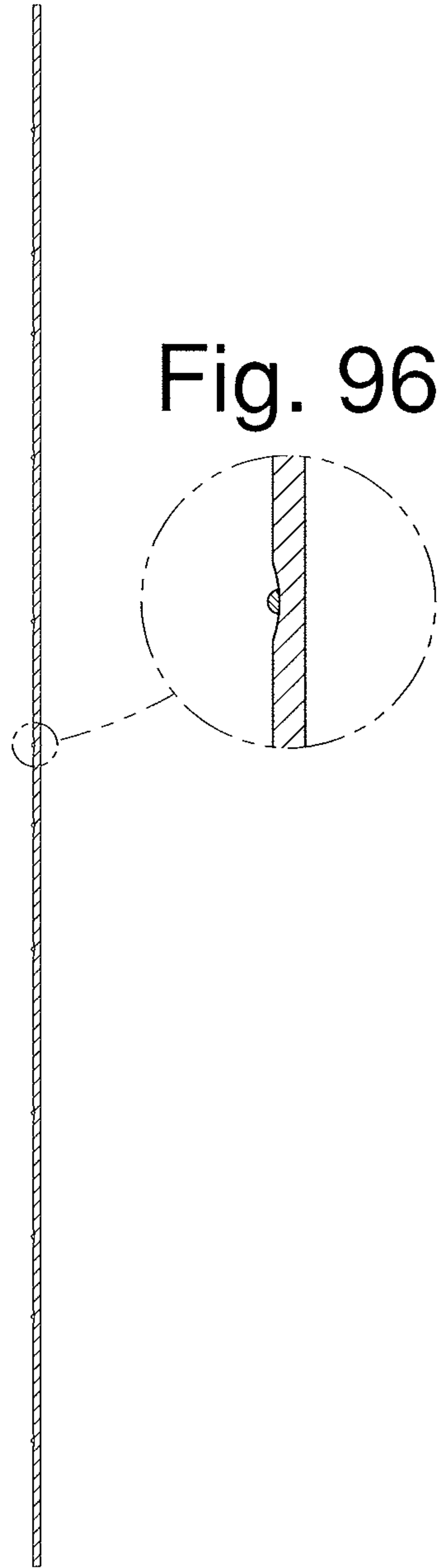


Fig. 97

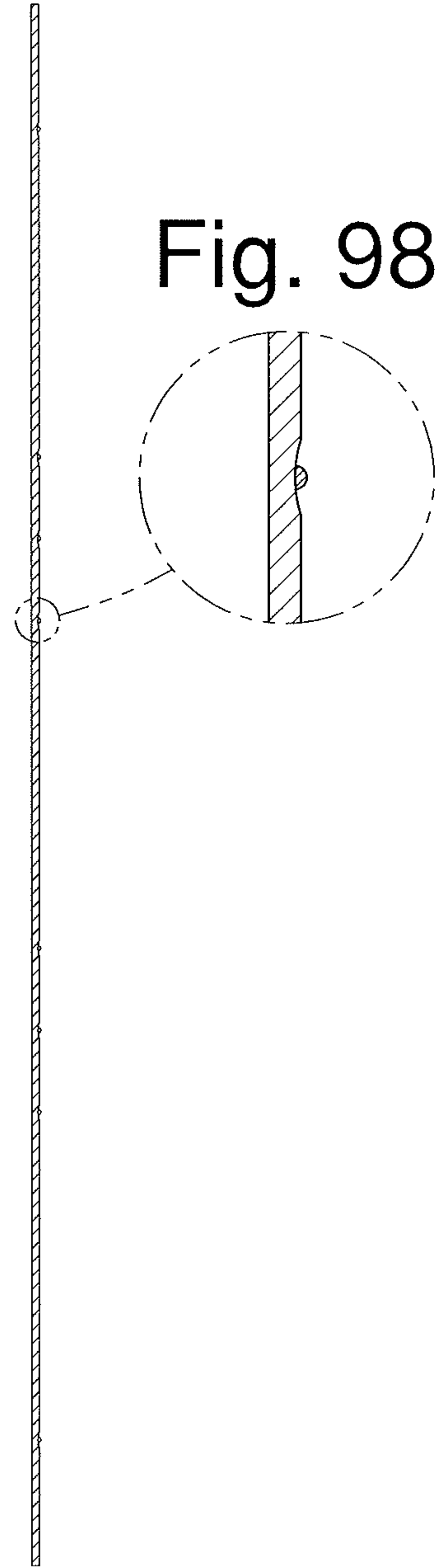


Fig. 99



Fig. 100



Fig. 101

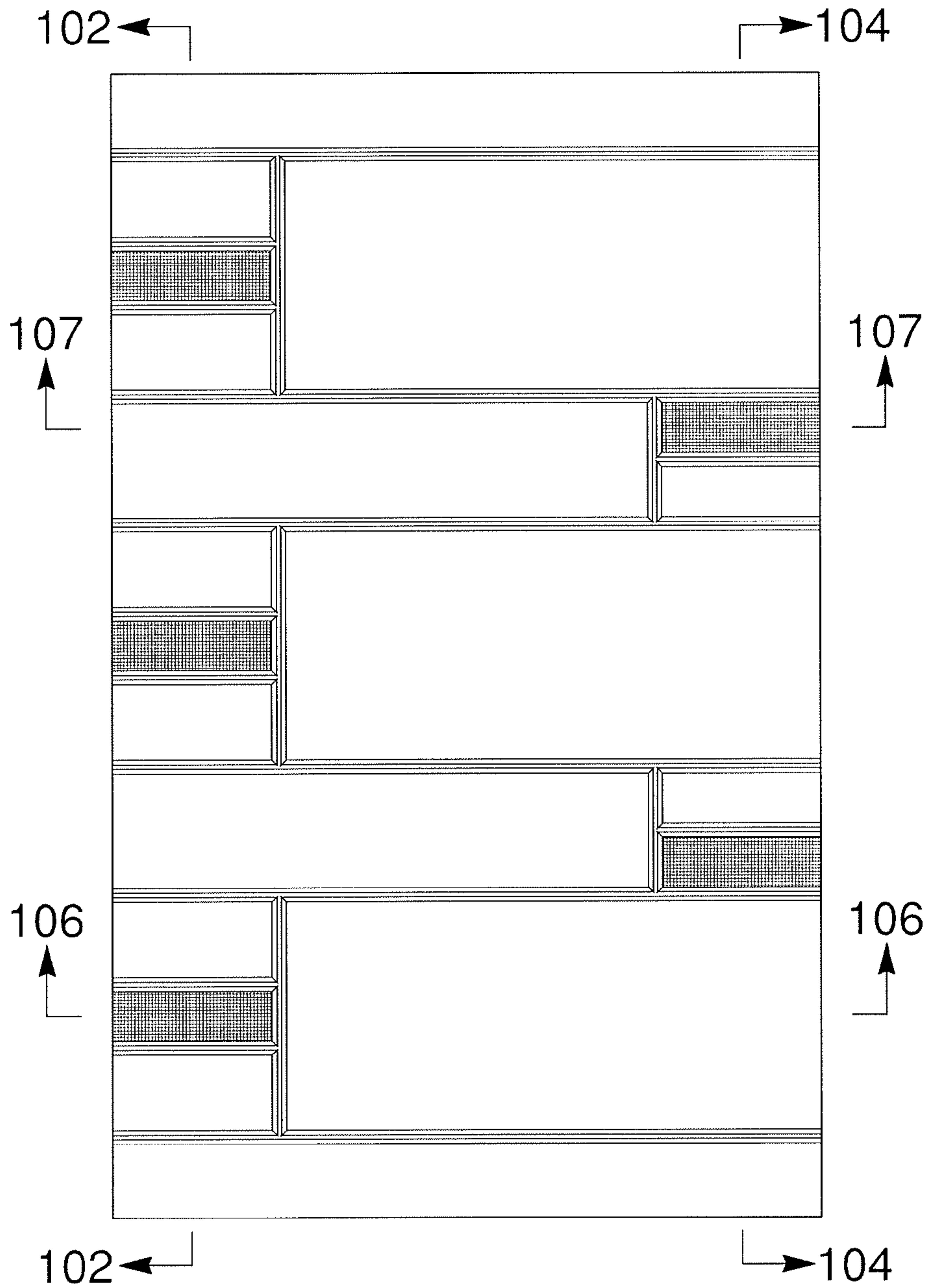


Fig. 102

Fig. 104

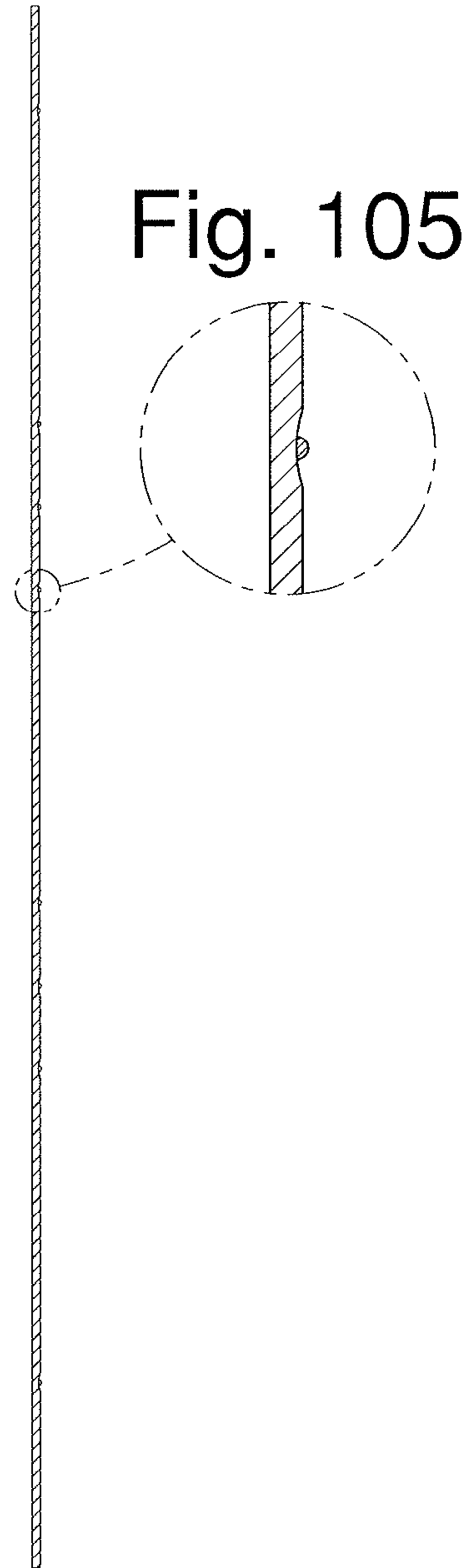
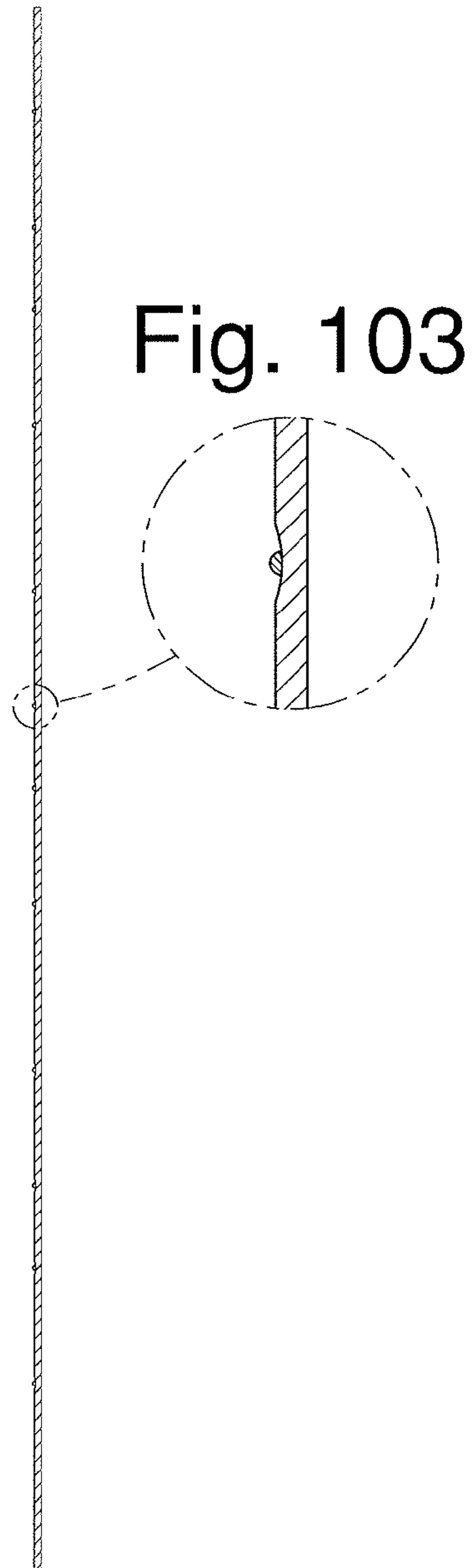


Fig. 106



Fig. 107

