



US00D702855S

(12) **United States Design Patent**
Bürgin

(10) **Patent No.:** **US D702,855 S**
(45) **Date of Patent:** **** Apr. 15, 2014**

(54) **CROWD CONTROL BARRIER**

(75) Inventor: **Thomas Bürgin**, Lörrach (DE)

(73) Assignee: **Magnetic Autocontrol GmbH**,
Schopfheim (DE)

(**) Term: **14 Years**

(21) Appl. No.: **29/426,419**

(22) Filed: **Jul. 5, 2012**

(30) **Foreign Application Priority Data**

Jan. 5, 2012 (EM) 001971797

(51) **LOC (10) Cl.** **25-02**

(52) **U.S. Cl.**
USPC **D25/48.5**

(58) **Field of Classification Search**
USPC D25/48.5, 48.6; 49/49; 256/24, 25, 26;
404/6

See application file for complete search history.

(56) **References Cited**

U.S. PATENT DOCUMENTS

D340,290 S * 10/1993 Rossiter D25/48.5
5,364,076 A * 11/1994 Nicholls 256/22
D539,921 S * 4/2007 Williman D25/48.5
2008/0127557 A1 * 6/2008 Bongard 49/49

OTHER PUBLICATIONS

Printed page from website, dated Jul. 15, 2009 (<http://www.google.de/imgres?q=schranke+schweiz&start=224&hl...>).

Drawing prepared by the assignee, Magnetic Autocontrol GmbH, in Germany for a customer on Feb. 21, 2007.

Informational page MFS144/04.02, published by Magnetic Autocontrol GmbH in Apr. 2002, that displays an older version of the invention.

Printed page from website, dated Aug. 7, 2009 (www.bahnbilder.de).

Printed page from website, dated Nov. 22, 2005 (<http://google.de/imgres?q=schranke+gitterhl=de&safe...>).

* cited by examiner

Primary Examiner — Doris Clark

(74) *Attorney, Agent, or Firm* — Horst M. Kasper

(57) **CLAIM**

The ornamental design for a crowd control barrier, as shown and described.

DESCRIPTION

FIG. 1 is a front elevational view of a crowd control barrier showing my new design;

FIG. 2 is a right side elevational view thereof;

FIG. 3 is a left side elevational view thereof;

FIG. 4 is a rear elevational view thereof;

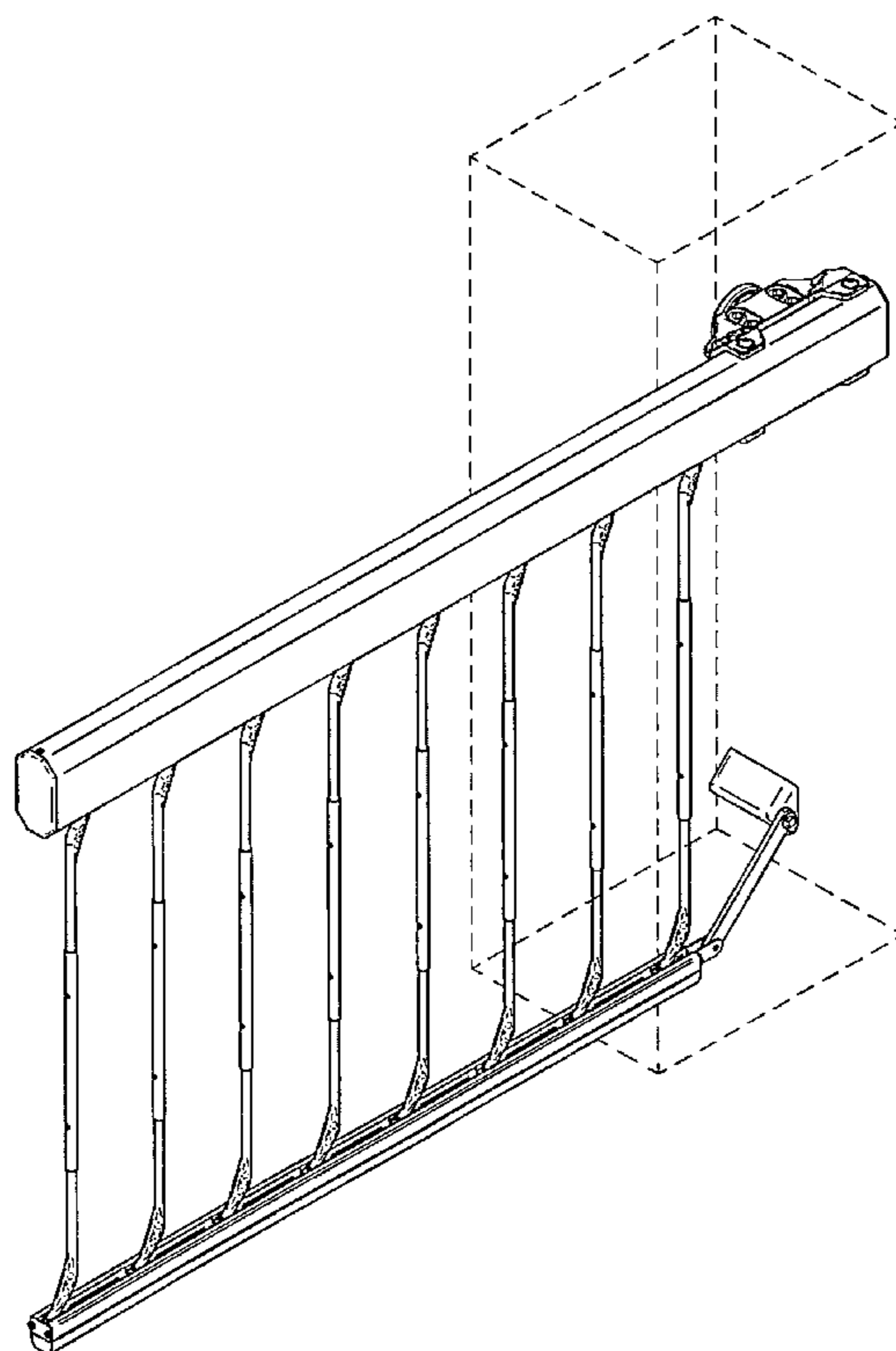
FIG. 5 is a top plan view thereof;

FIG. 6 is a bottom plan view thereof; and,

FIG. 7 is a right side perspective view thereof.

The broken lines are for illustrative purposes only and form no part of the claimed design.

1 Claim, 7 Drawing Sheets



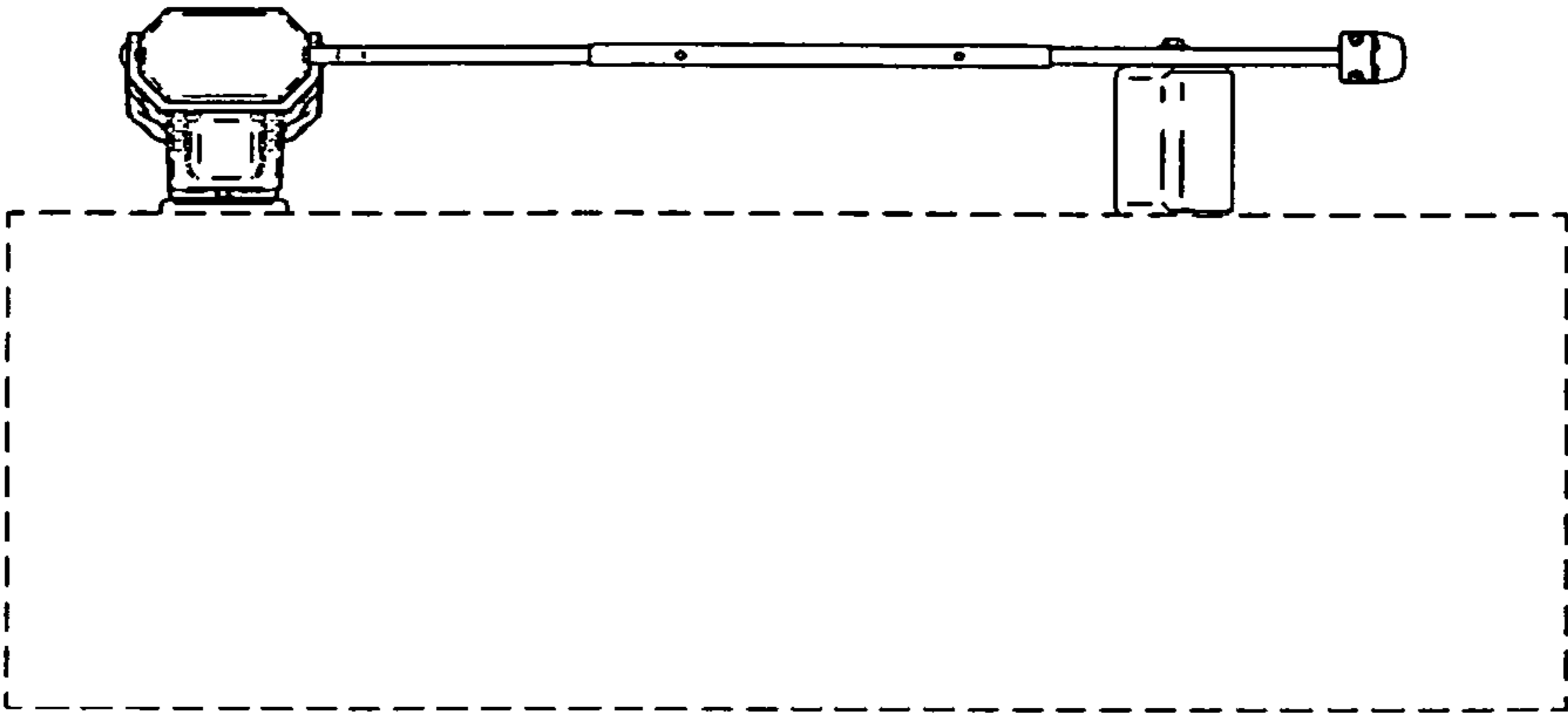


FIG. 1

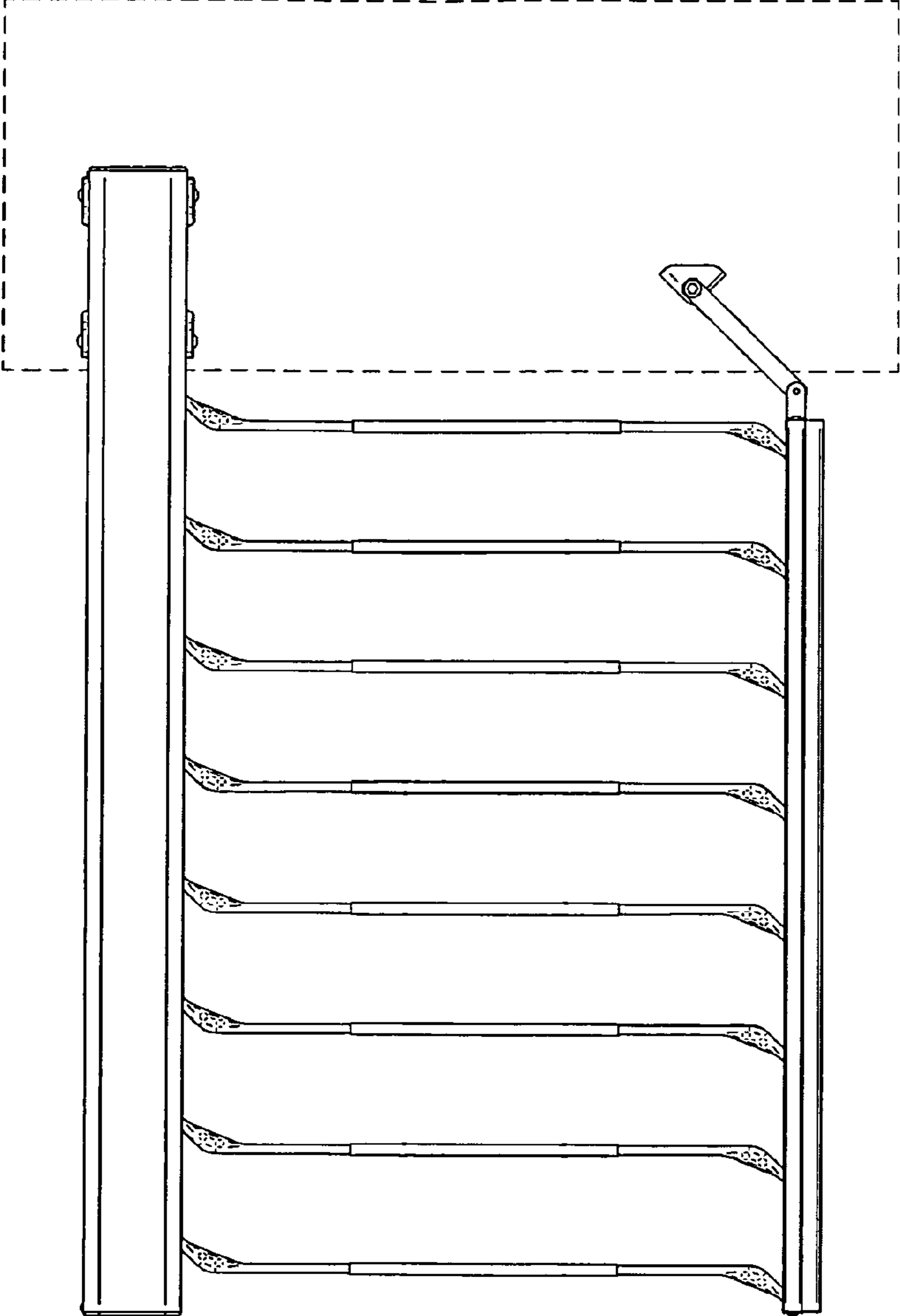


FIG. 2

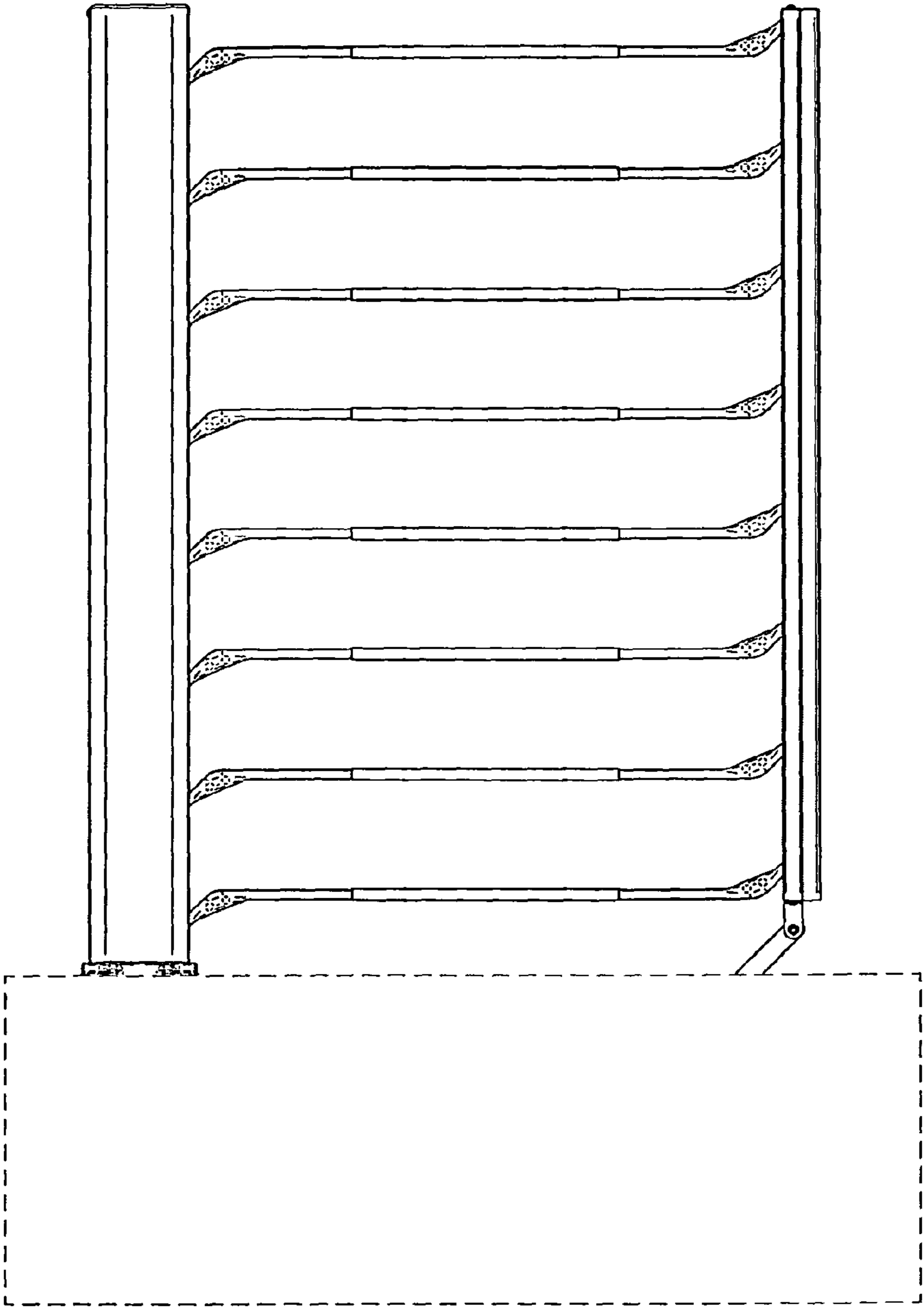


FIG. 3

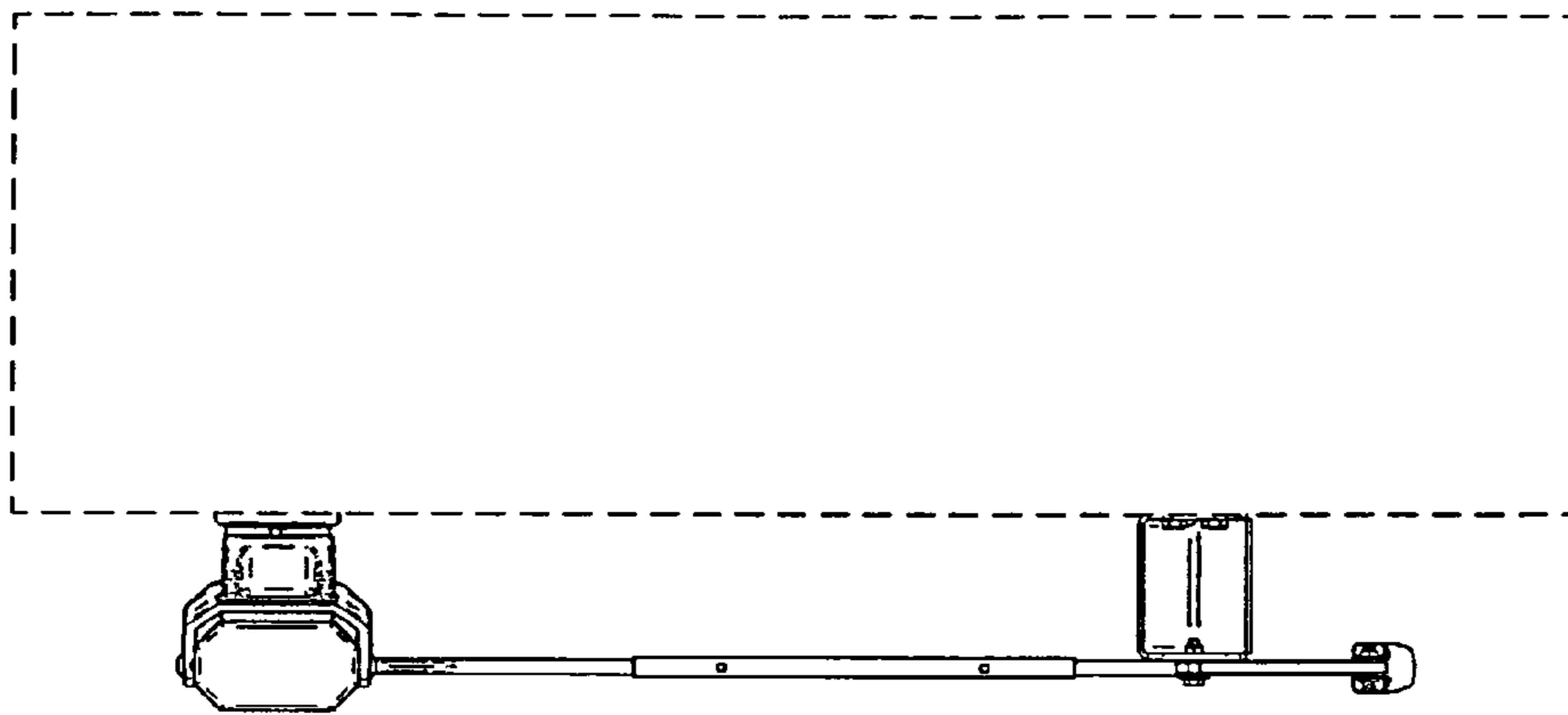


FIG. 4

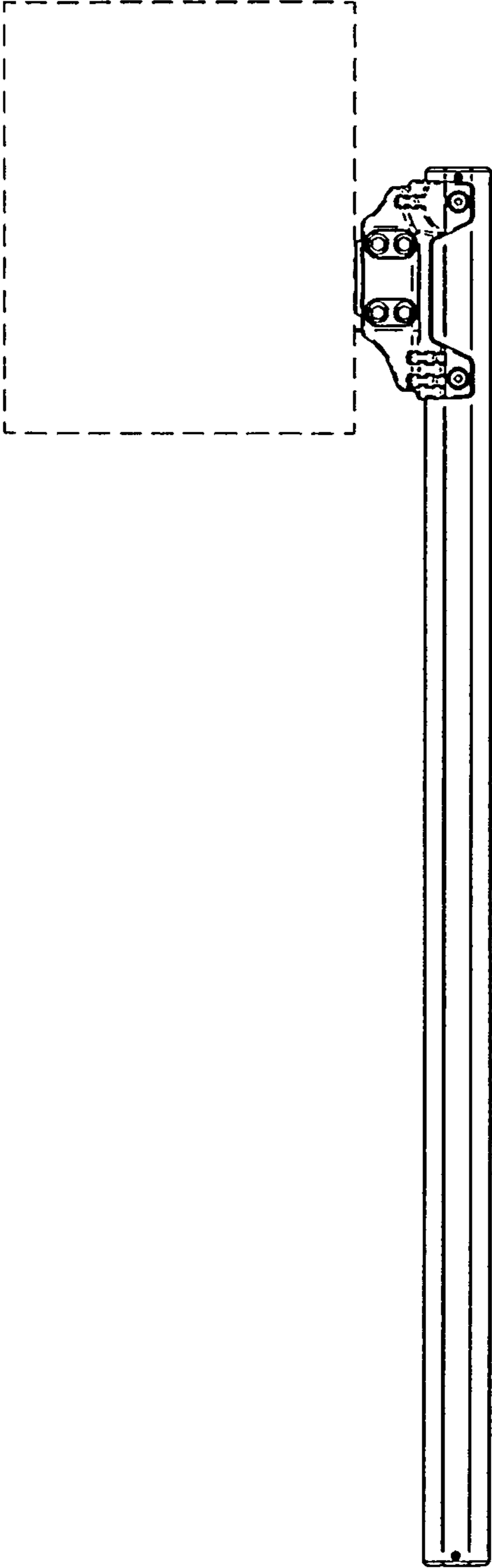


FIG. 5

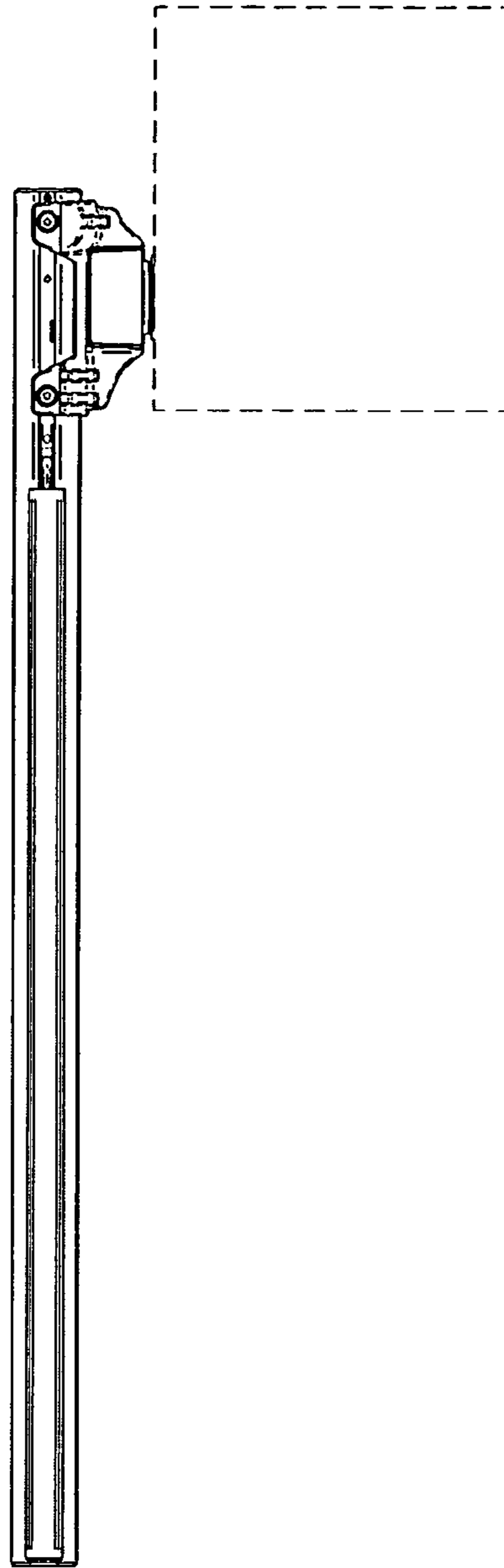


FIG. 6

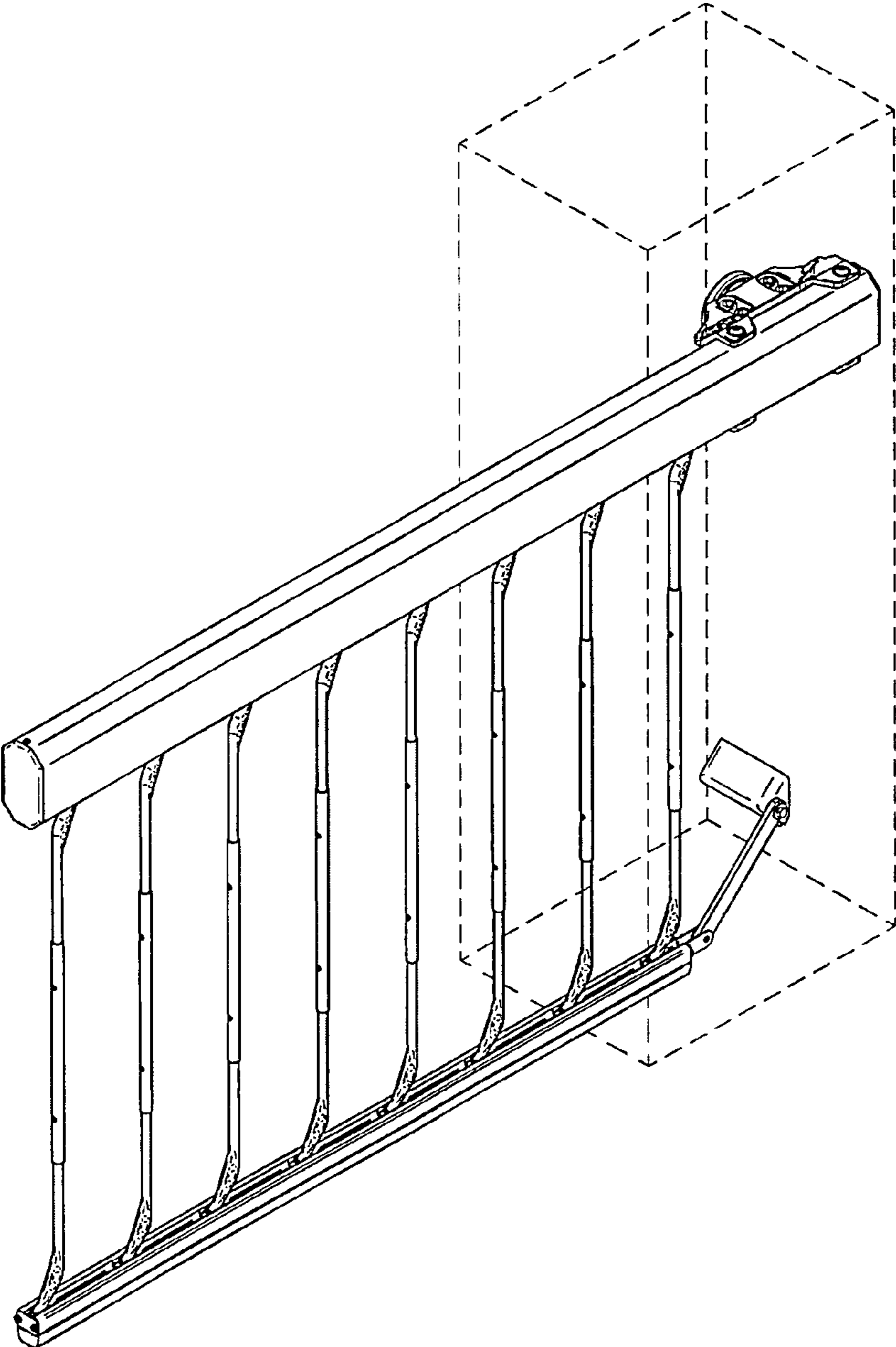


FIG. 7