



US00D702853S

(12) **United States Design Patent**
Priebe et al.

(10) **Patent No.:** **US D702,853 S**
(45) **Date of Patent:** **** Apr. 15, 2014**

(54) **PILL CRUSHER**

(75) Inventors: **Robert N. Priebe**, Bloomington, MN (US); **Terrance O. Noble**, Burnsville, MN (US)

(73) Assignee: **Apothecary Products, Inc.**, Burrsville, MN (US)

(**) Term: **14 Years**

(21) Appl. No.: **29/420,703**

(22) Filed: **May 11, 2012**

(51) **LOC (10) Cl.** **24-00**

(52) **U.S. Cl.**
USPC **D24/220**

(58) **Field of Classification Search**
USPC D24/220, 221, 216, 224, 231, 232, 197, D24/110, 133; D23/209, 365; D7/679, 682, D7/372-374, 383, 384, 597, 400, 191, 545, D7/509, 316, 565, 667, 317, 587; 241/168, 241/169, 169.1-169.2, 199.11, 273.2, 286, 241/262, 136, 30; D15/5; 604/708; 134/158
See application file for complete search history.

(56) **References Cited**

U.S. PATENT DOCUMENTS

2,602,596	A	7/1952	Jones et al.	
4,209,136	A	6/1980	Linden et al.	
4,366,930	A	1/1983	Trombetti, Jr.	
4,967,971	A	11/1990	Smith	
D337,828	S *	7/1993	Gordon	D24/220
D474,378	S *	5/2003	Brandenburg	D7/679

7,234,658	B2 *	6/2007	Lee	241/169.1
8,033,488	B2	10/2011	Grah	
8,162,247	B2	4/2012	Faulker	
2012/0286081	A1 *	11/2012	Delbridge et al.	241/169.1

OTHER PUBLICATIONS

[http://www.healthspecialtiesandmore.com/Ezy-Crush-Pill-Crusher/productinfo/C68255/.*](http://www.healthspecialtiesandmore.com/Ezy-Crush-Pill-Crusher/productinfo/C68255/)
[http://www.weiku.com/products-image/14331404/pill-crusher-sj-436C.html.*](http://www.weiku.com/products-image/14331404/pill-crusher-sj-436C.html)
[http://www.tech-medservices.com/oldSite/pillcutters.html.*](http://www.tech-medservices.com/oldSite/pillcutters.html)
Photos of pill crushers, in public use before May 11, 2012.

* cited by examiner

Primary Examiner — Robert M Spear

Assistant Examiner — Rhea Shields

(74) *Attorney, Agent, or Firm* — Merchant & Gould P.C.

(57) **CLAIM**

The ornamental design for a pill crusher, as shown and described.

DESCRIPTION

FIG. 1 is a perspective view of a first embodiment of a pill crusher according to our design;
FIG. 2 is a front view thereof, the rear view being a mirror-image thereof;
FIG. 3 is a right side view thereof, the left side view being a mirror-image thereof;
FIG. 4 is a top view thereof; and,
FIG. 5 is a bottom view thereof, the portions shown in broken lines forming no part of the claimed design.

1 Claim, 5 Drawing Sheets

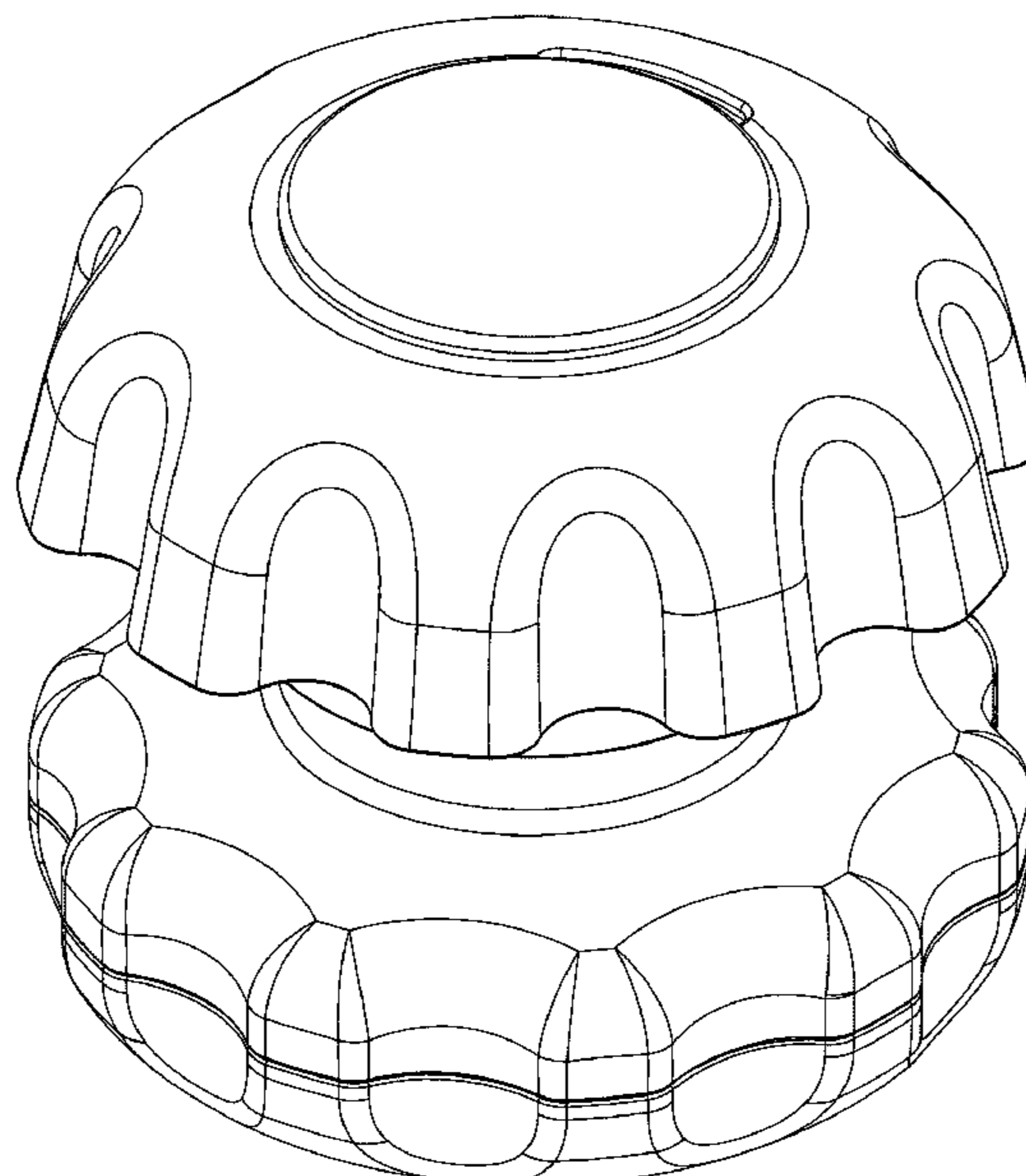


FIG. 1

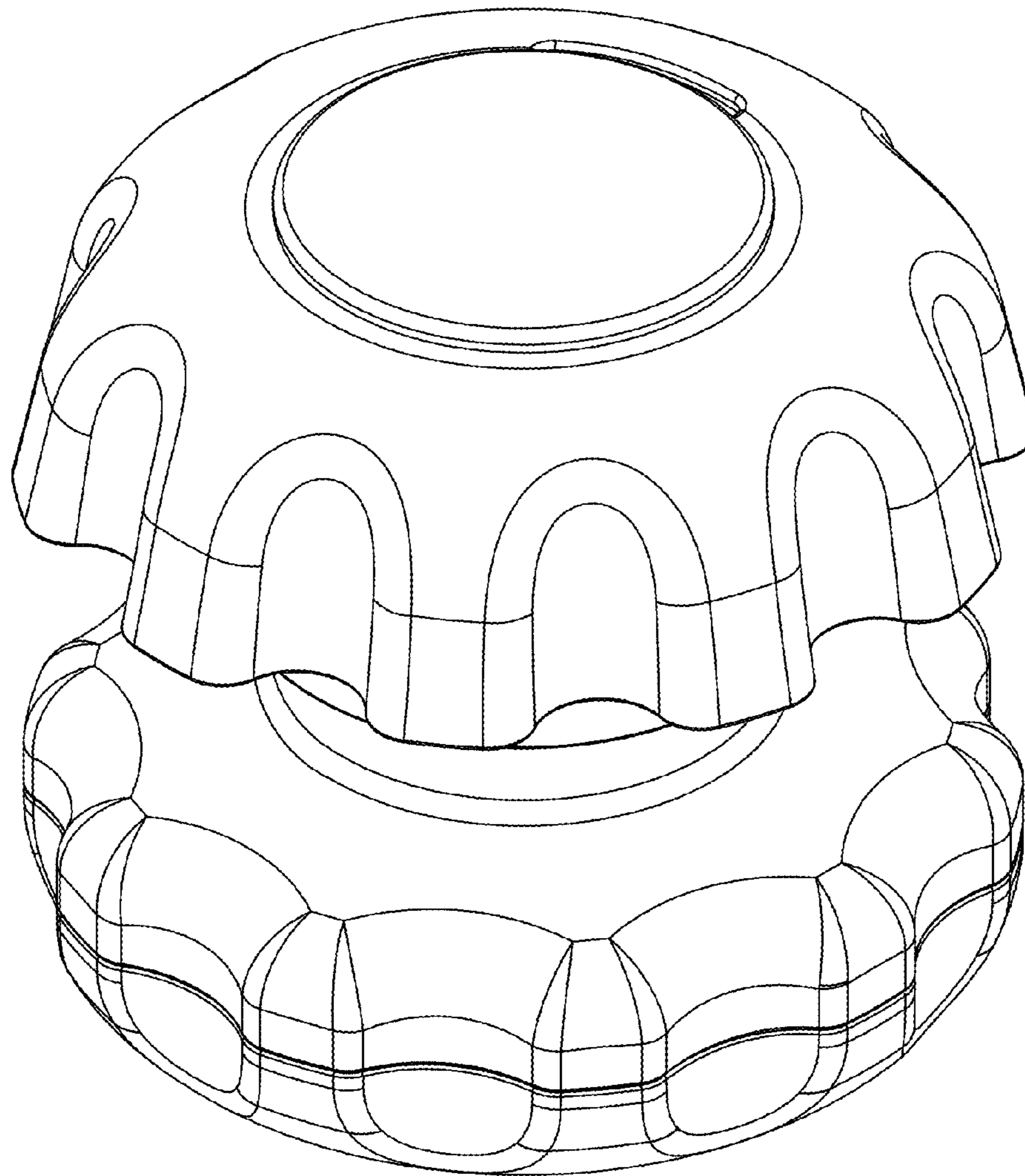


FIG. 2

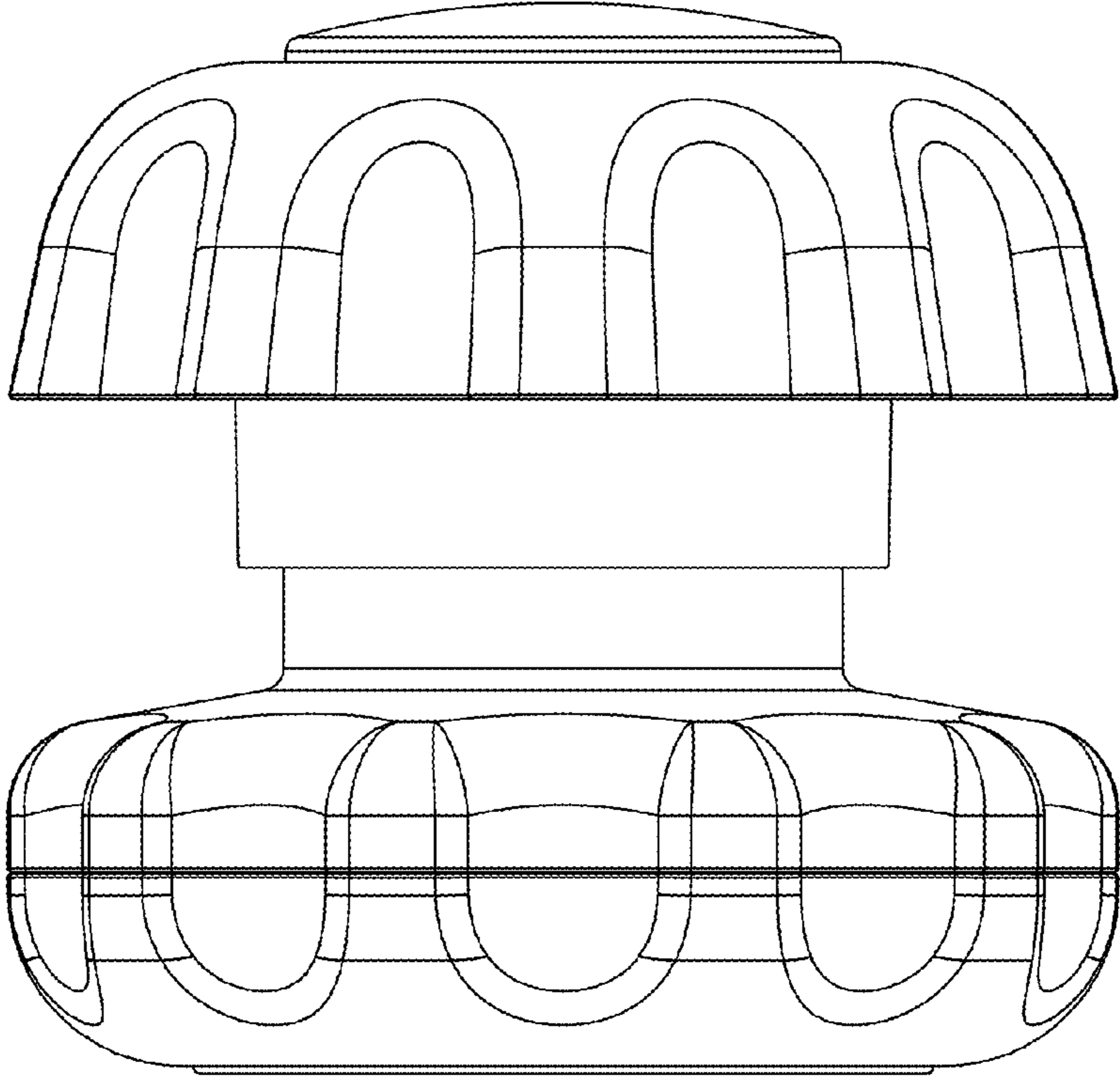


FIG. 3

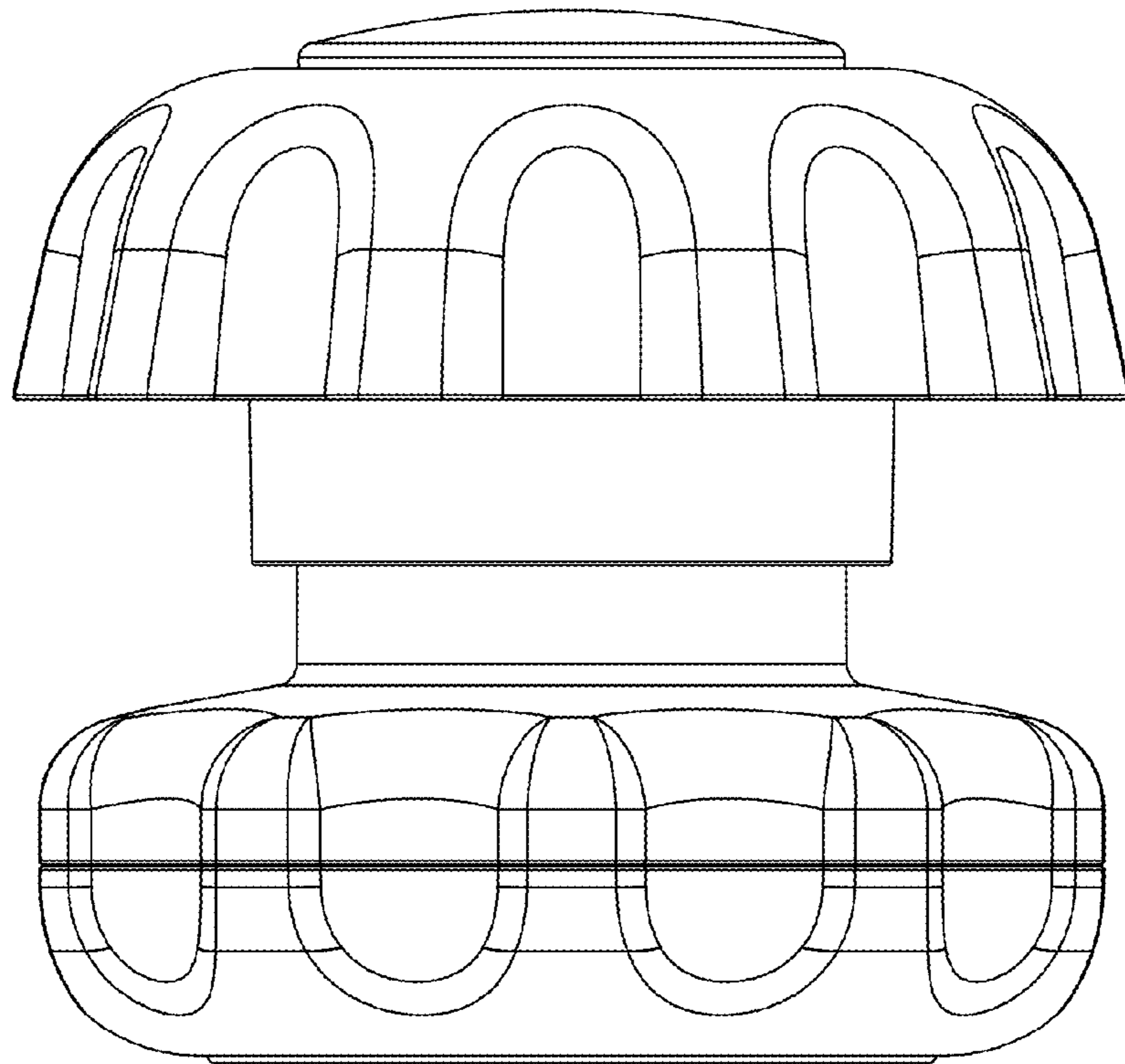


FIG. 4

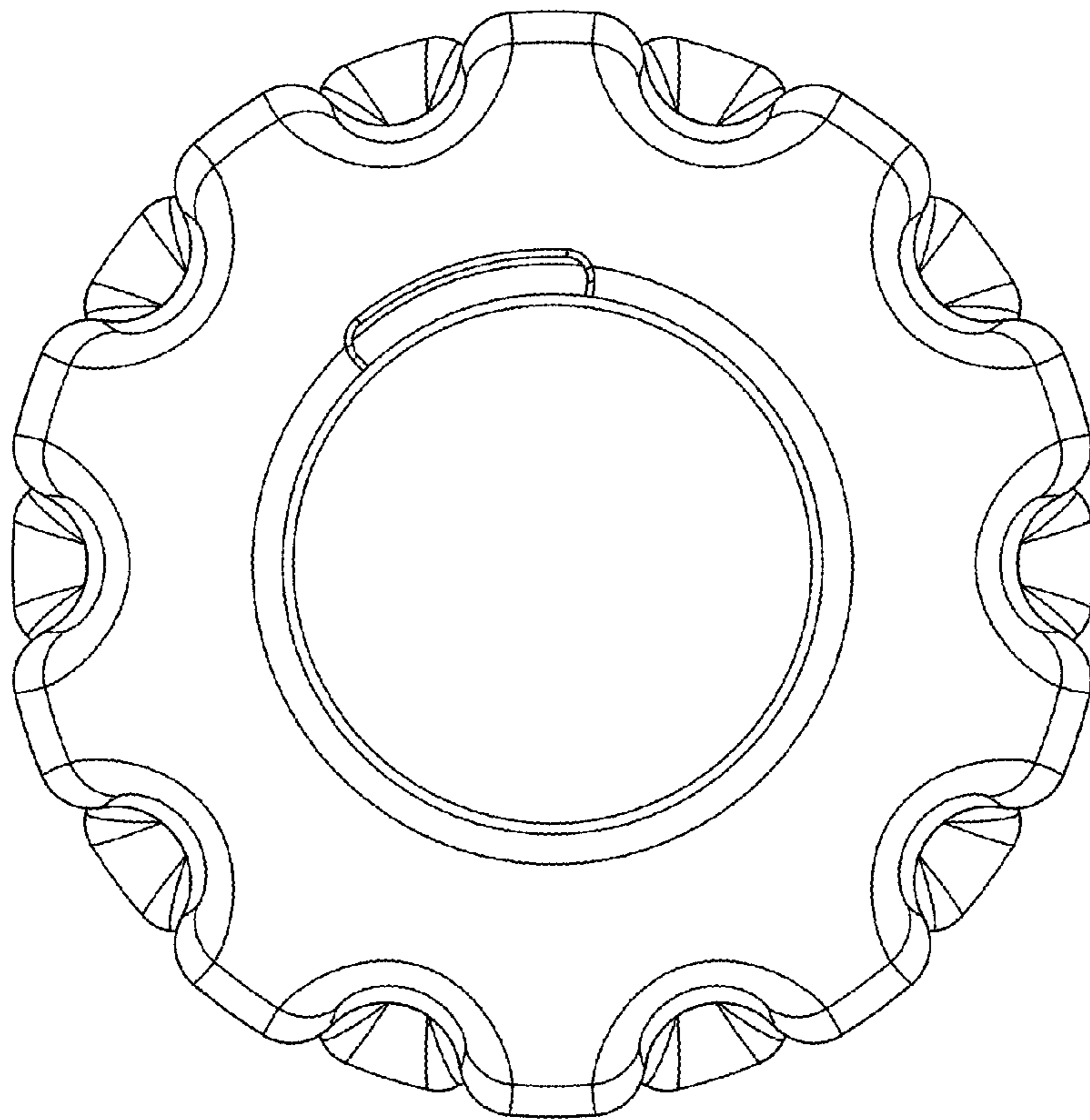


FIG. 5

