



US00D702842S

(12) **United States Design Patent**
Hyde et al.

(10) **Patent No.:** **US D702,842 S**
(45) **Date of Patent:** **** Apr. 15, 2014**

(54) **PORTABLE MEDICAL UNIT**
(75) Inventors: **Aidan Hyde**, Manhattan, NY (US);
Nicholas E. Barker, Laguna Beach, CA
(US)

D630,752 S * 1/2011 Suzuki D24/158
D639,948 S 6/2011 Personelli
D642,763 S 8/2011 Liang
D643,535 S * 8/2011 Ross et al. D24/164

(Continued)

(73) Assignee: **MAQUET Cardiovascular LLC**,
Wayne, NJ (US)

OTHER PUBLICATIONS

Product Brochure—CS300 IABP—Product Features—2009 Publi-
cation—Maquet Cardiovascular LLC. U.S.A.

(**) Term: **14 Years**

(Continued)

(21) Appl. No.: **29/389,514**

Primary Examiner — Robert M Spear

Assistant Examiner — Rhea Shields

(22) Filed: **Apr. 12, 2011**

(51) **LOC (10) Cl.** **24-00**

(52) **U.S. Cl.**
USPC **D24/185**

(57) **CLAIM**

The ornamental design for a portable medical unit, as shown
and described.

(58) **Field of Classification Search**
USPC D24/143, 170, 164, 171, 172, 185, 234,
D24/221, 190, 186, 183, 188, 150; 606/54,
606/56, 57, 59
See application file for complete search history.

DESCRIPTION

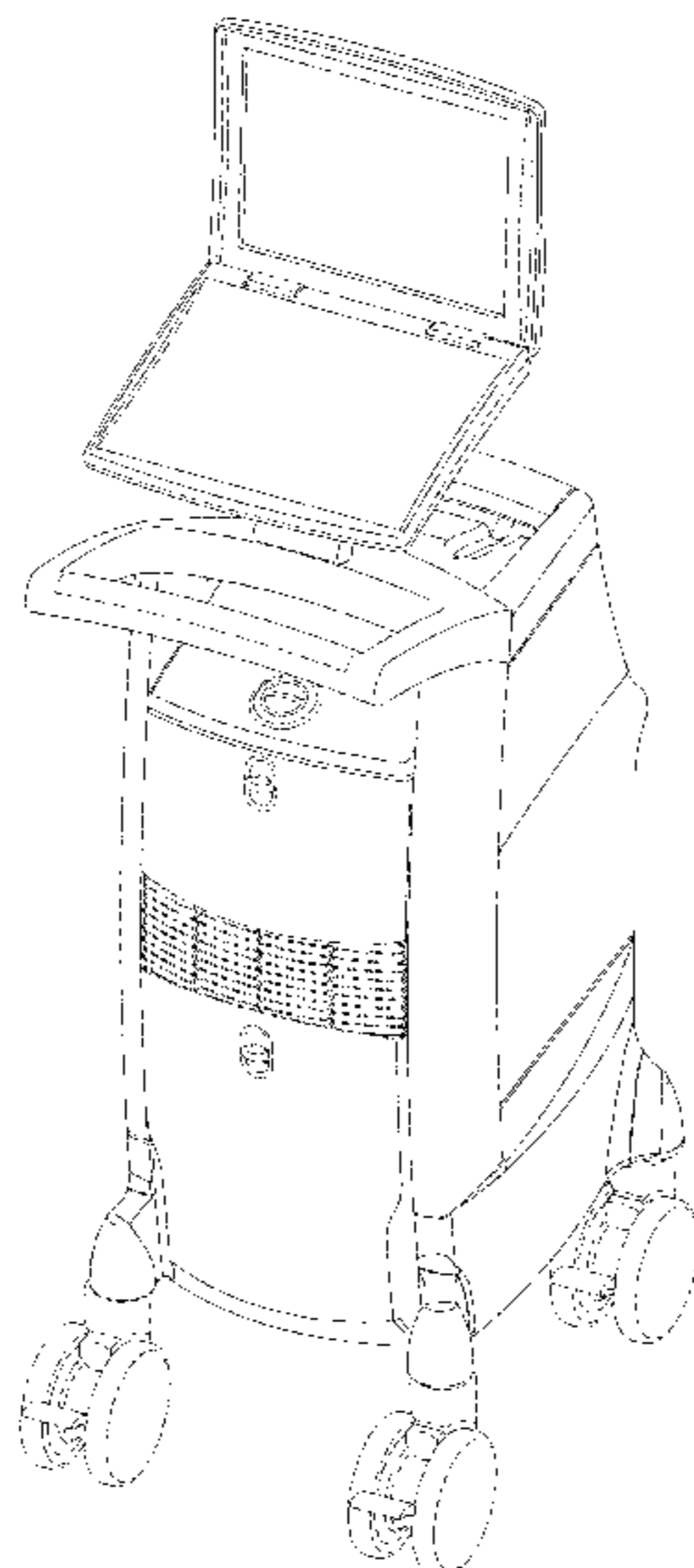
FIG. 1 is a front perspective view of a portable medical unit
showing my new design;
FIG. 2 is a rear perspective view thereof;
FIG. 3 is a front view thereof;
FIG. 4 is a top view thereof;
FIG. 5 is a left side view thereof;
FIG. 6 is a right side view thereof;
FIG. 7 is a rear view thereof;
FIG. 8 is a bottom view thereof;
FIG. 9 is a detail view taken about the oval shaped border
labelled "FIG. 9" in FIG. 3;
FIG. 10 is a detail view taken about the oval shaped border
labelled "FIG. 10" in FIG. 4;
FIG. 11 is a detail view taken about the oval shaped border
labelled "FIG. 11" in FIG. 7; and,
FIG. 12 is a detail view taken about the oval shaped border
labelled "FIG. 12" in FIG. 7.
The broken lines in the figures are for illustrative purposes
only and form no part of the claimed design.

(56) **References Cited**

U.S. PATENT DOCUMENTS

D387,168 S * 12/1997 Edelman et al. D24/186
D467,001 S * 12/2002 Buczek et al. D24/172
D477,082 S * 7/2003 Bromley D24/170
6,616,598 B2 9/2003 Kaushansky et al.
D486,915 S 2/2004 Warschewske et al.
D497,462 S 10/2004 Ryan
D512,508 S 12/2005 Mesaros
D557,421 S 12/2007 Fleck et al.
D559,390 S 1/2008 Diener et al.
D603,048 S 10/2009 Fleck et al.
D606,202 S 12/2009 Banryu
D610,770 S 2/2010 Rossini et al.
D611,610 S * 3/2010 Fleck et al. D24/185
D612,561 S 3/2010 Hunter et al.
D612,941 S * 3/2010 Youngquist et al. D24/172
D619,264 S 7/2010 Livengood
D620,121 S 7/2010 Moscovita
D626,236 S * 10/2010 Ninomiya et al. D24/185

1 Claim, 12 Drawing Sheets



(56)

References Cited

U.S. PATENT DOCUMENTS

D650,482 S	*	12/2011	Kim et al.	D24/158
D652,520 S		1/2012	Sabaris Vilas		
D652,521 S		1/2012	Ross et al.		
D652,936 S		1/2012	Ross et al.		
D662,208 S	*	6/2012	Otoha et al.	D24/185
D672,046 S	*	12/2012	Fuster	D24/200
2003/0055309 A1		3/2003	Kaushansky et al.		

OTHER PUBLICATIONS

Product Brochure—CS100 IABP—Intelligent Counterpulsation—2010 Publication—Maquet Cardiovascular LLC. U.S.A.
 Operators Guide—The CS100/CS100i Abbreviated Operator’s Guide—2009 Publication—Maquet Cardiovascular LLC. U.S.A.
 Operators Guide—Datascope Abbreviated Operator’s Guide for the System 97 Intra-Aortic Balloon Pump—Published prior to 2009—Datascope Corp. U.S.A.
 Brochure—Sensation and CS300 IABP System Smaller Meets Faster—Published in 2009—Maquet Cardiovascular LLC. U.S.A.

Brochure—CS300 IABP Product Features—Published in 2009—Maquet Cardiovascular LLC. U.S.A.
 Brochure—CS100—Intelligent Counterpulsation—Published prior to 2009—Datascope Corp. U.S.A.
 Brochure—Datascope System 97—Published Prior to 2009—Datascope Corp. U.S.A.
 Abbreviated Operation and Troubleshooting Guide—Arrow AutoCat2 Wave IAB Abbreviated Operation and Troubleshooting Guide—2005—Arrow International, Inc.
 Troubleshooting Brochure—Troubleshooting Beyond the Basics—Arrow Intra-Aortic Balloon Pump—1999—Arrow International, Inc.
 Educational Material—AutoCAT2 Series Intra-Aortic Balloon Pump—Timing, Triggering, and Troubleshooting—2005—Arrow International, Inc. U.S.A.
 Brochure—Changing Disposable Helium Tank—2005—Arrow International, Inc. U.S.A.
 Educational Materials—ACAT1 Plus Intra-Aortic Balloon Pump—Timing, Triggering, and Troubleshooting—2005—Arrow International, Inc. U.S.A.
 Brochure/Flyer—Feature Comparison—Arrow AutoCAT2 Series—2006—Arrow International, Inc. U.S.A.

* cited by examiner

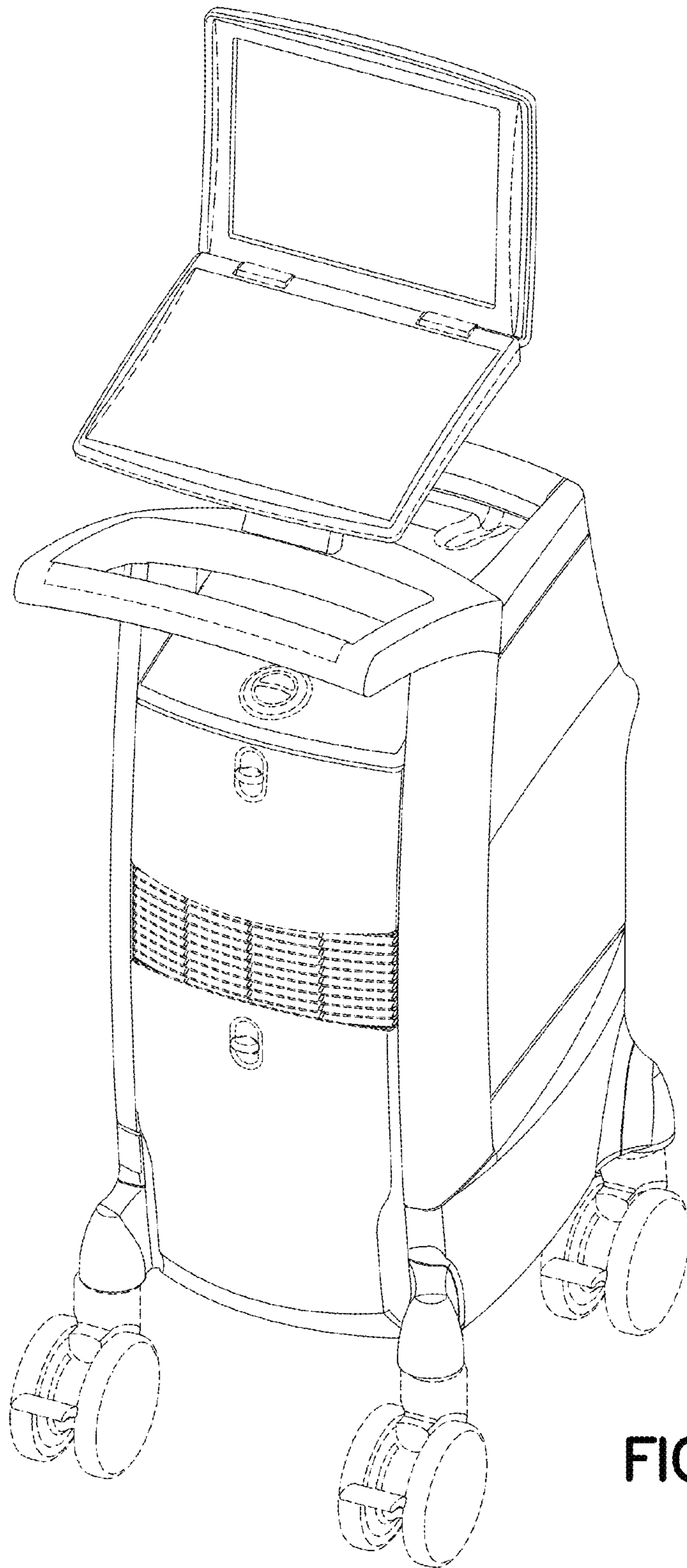


FIG. 1

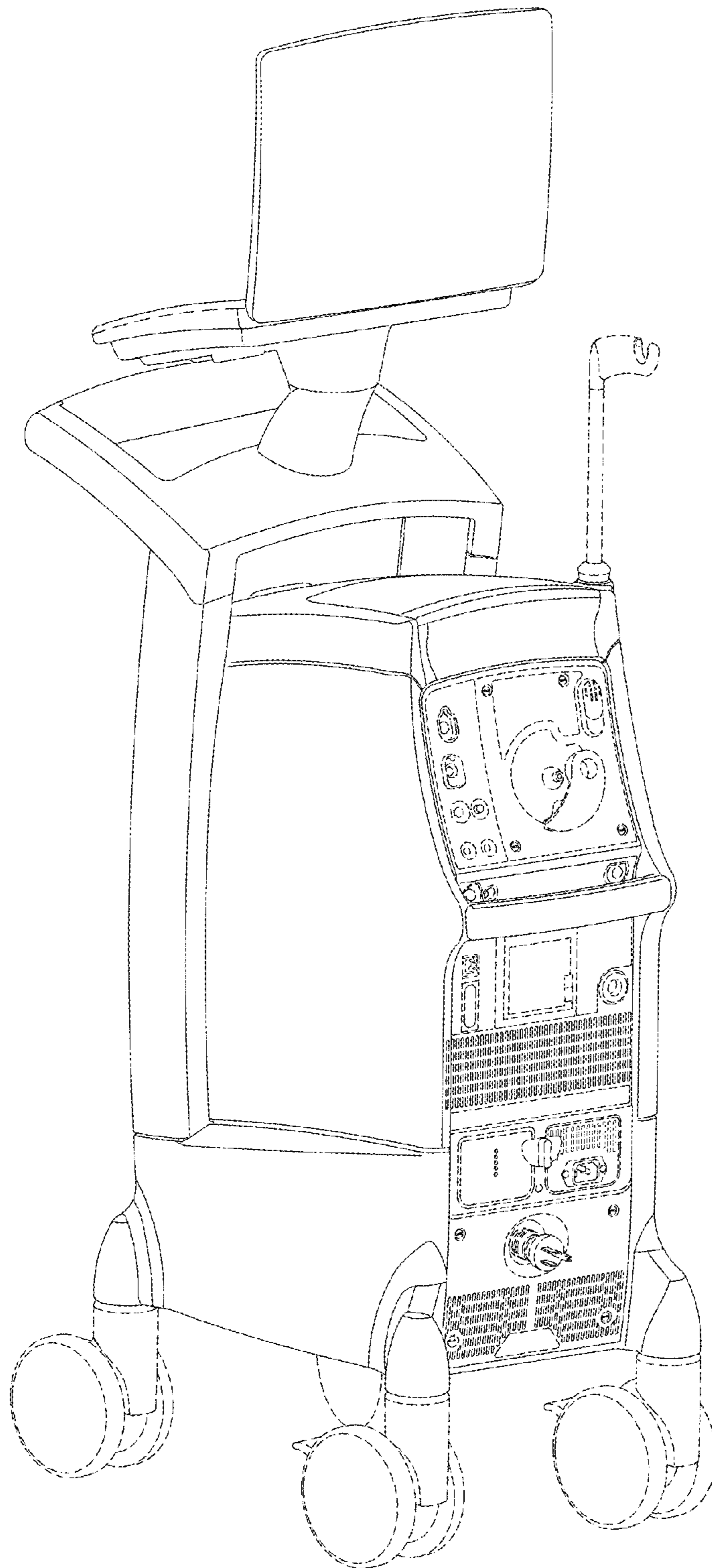


FIG.2

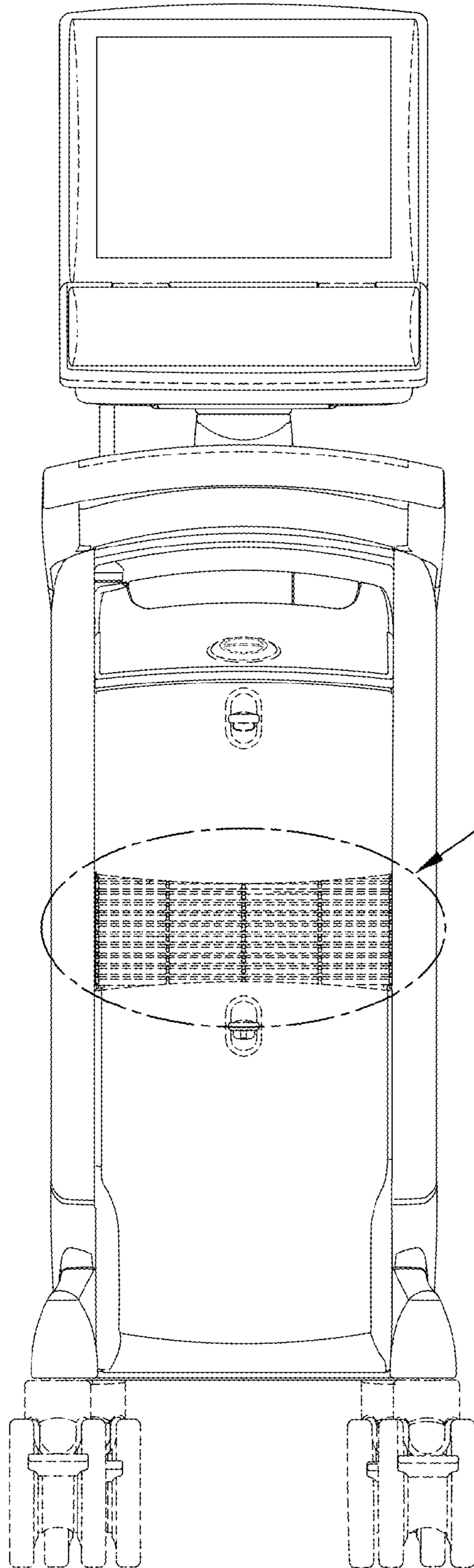


FIG.9

FIG.3

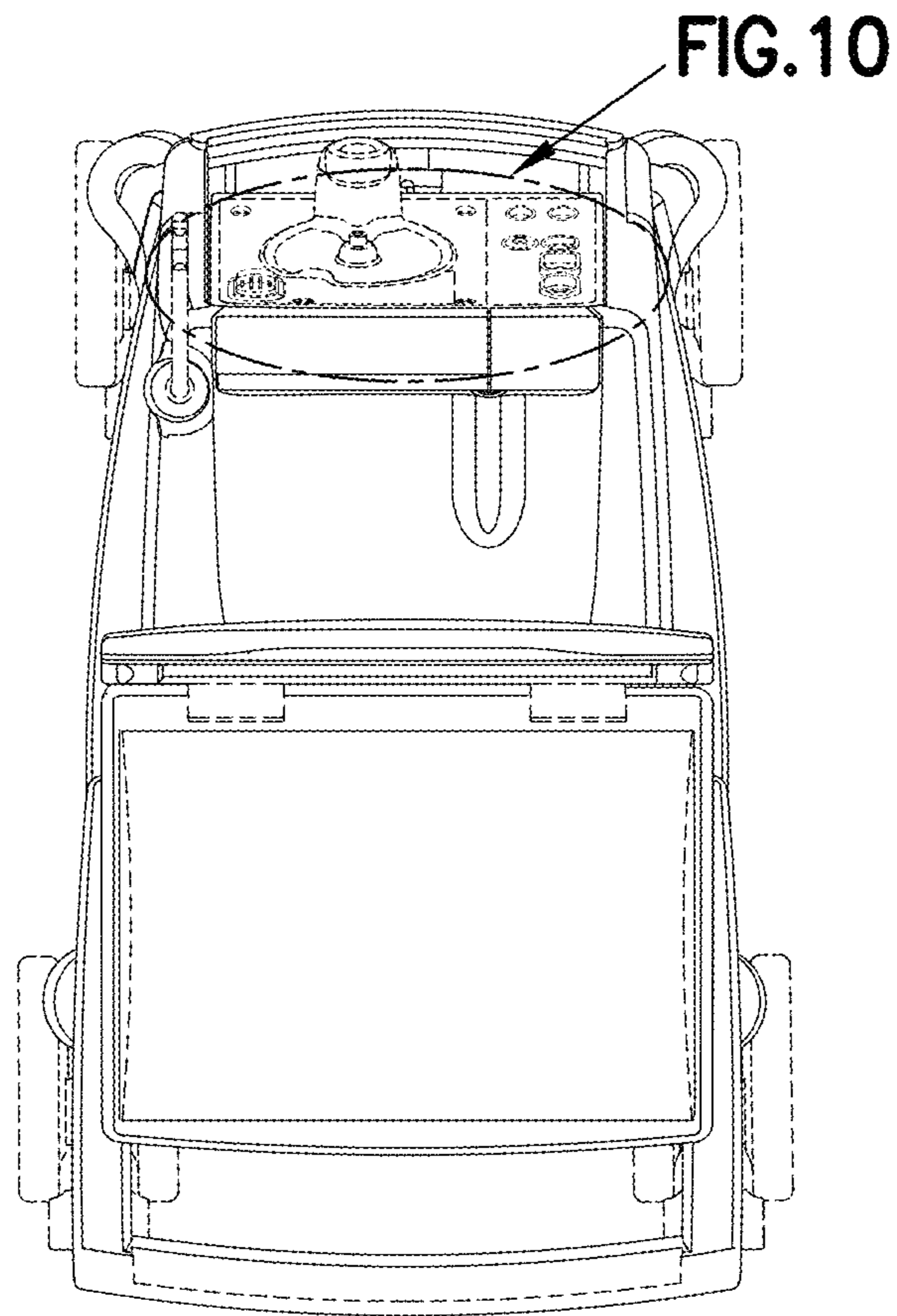


FIG.4

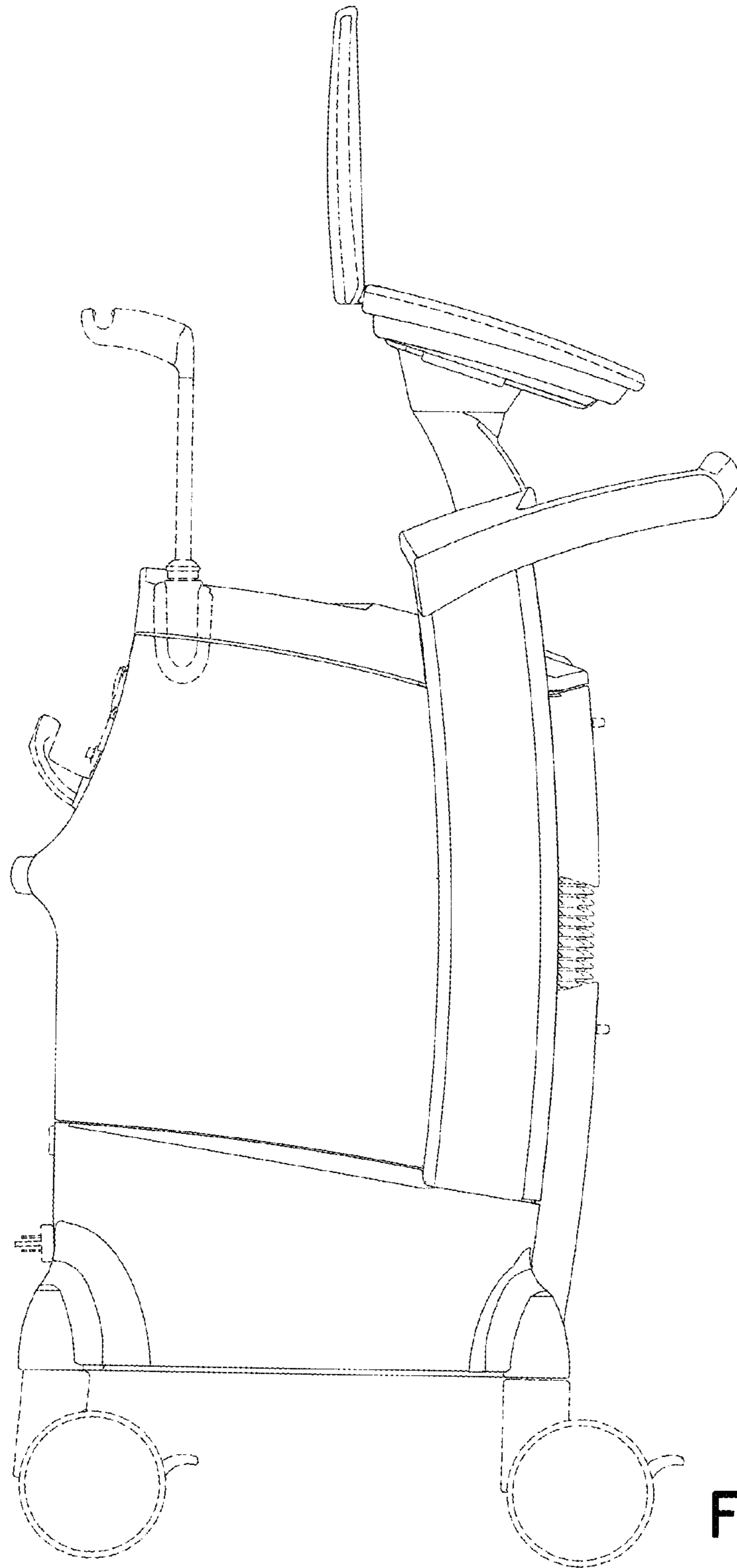


FIG. 5

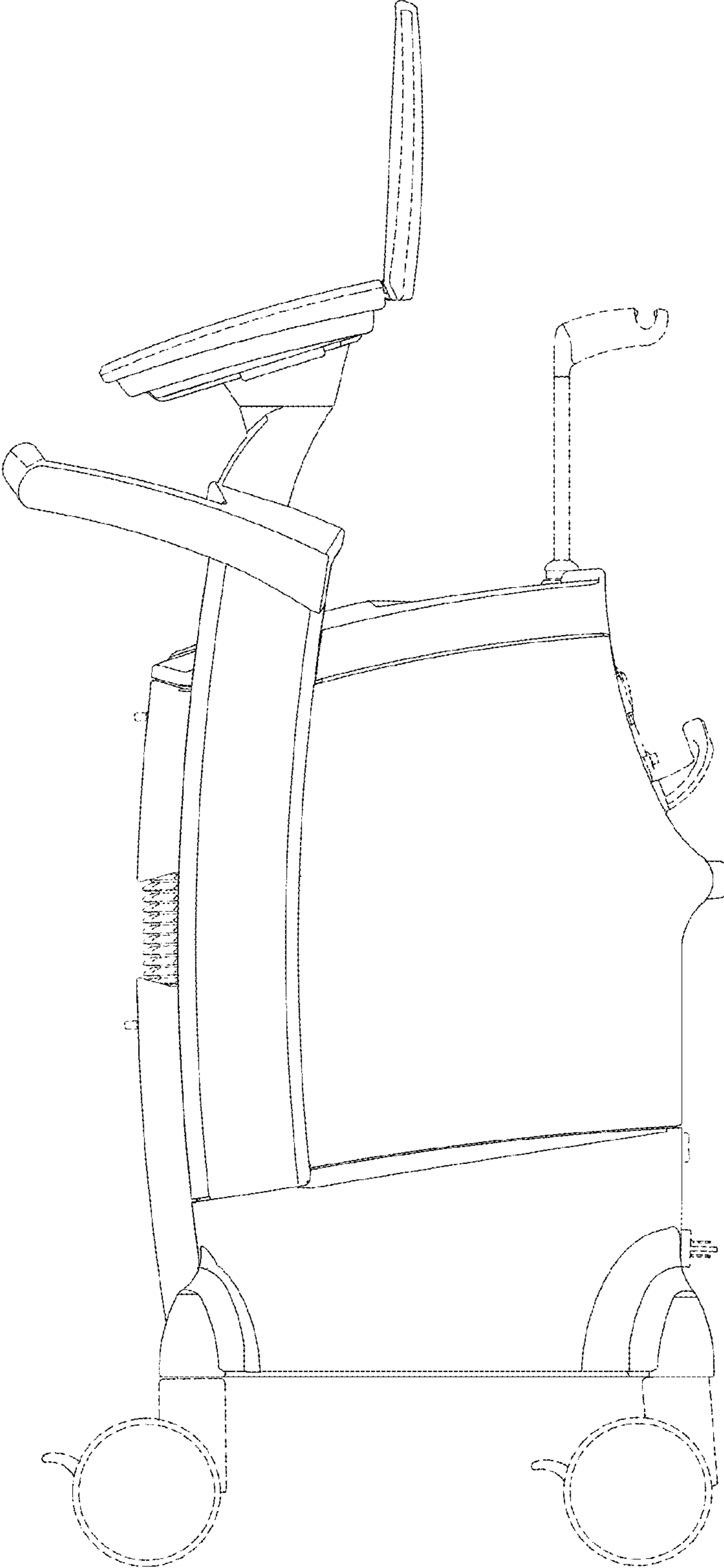
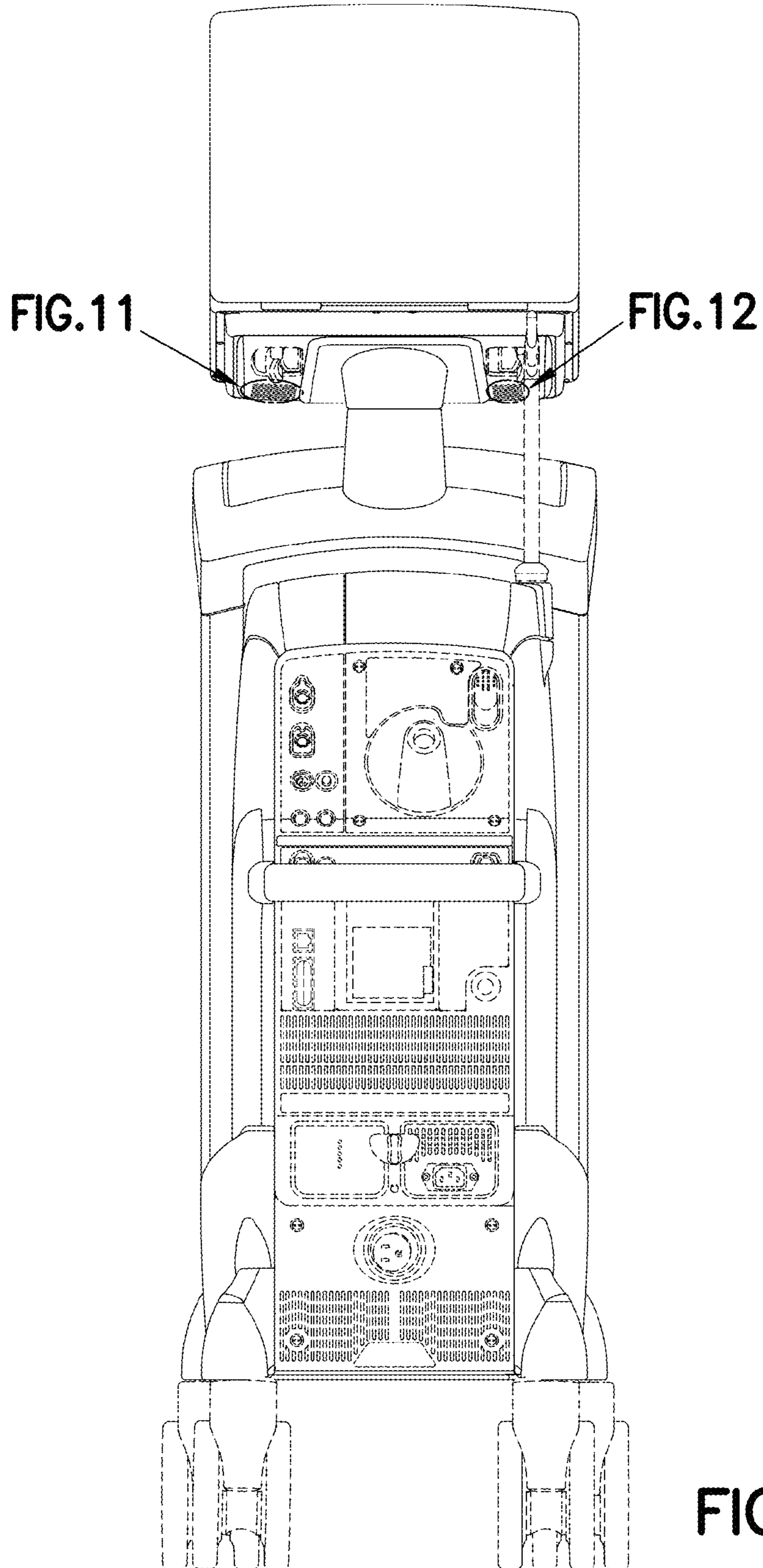


FIG. 6



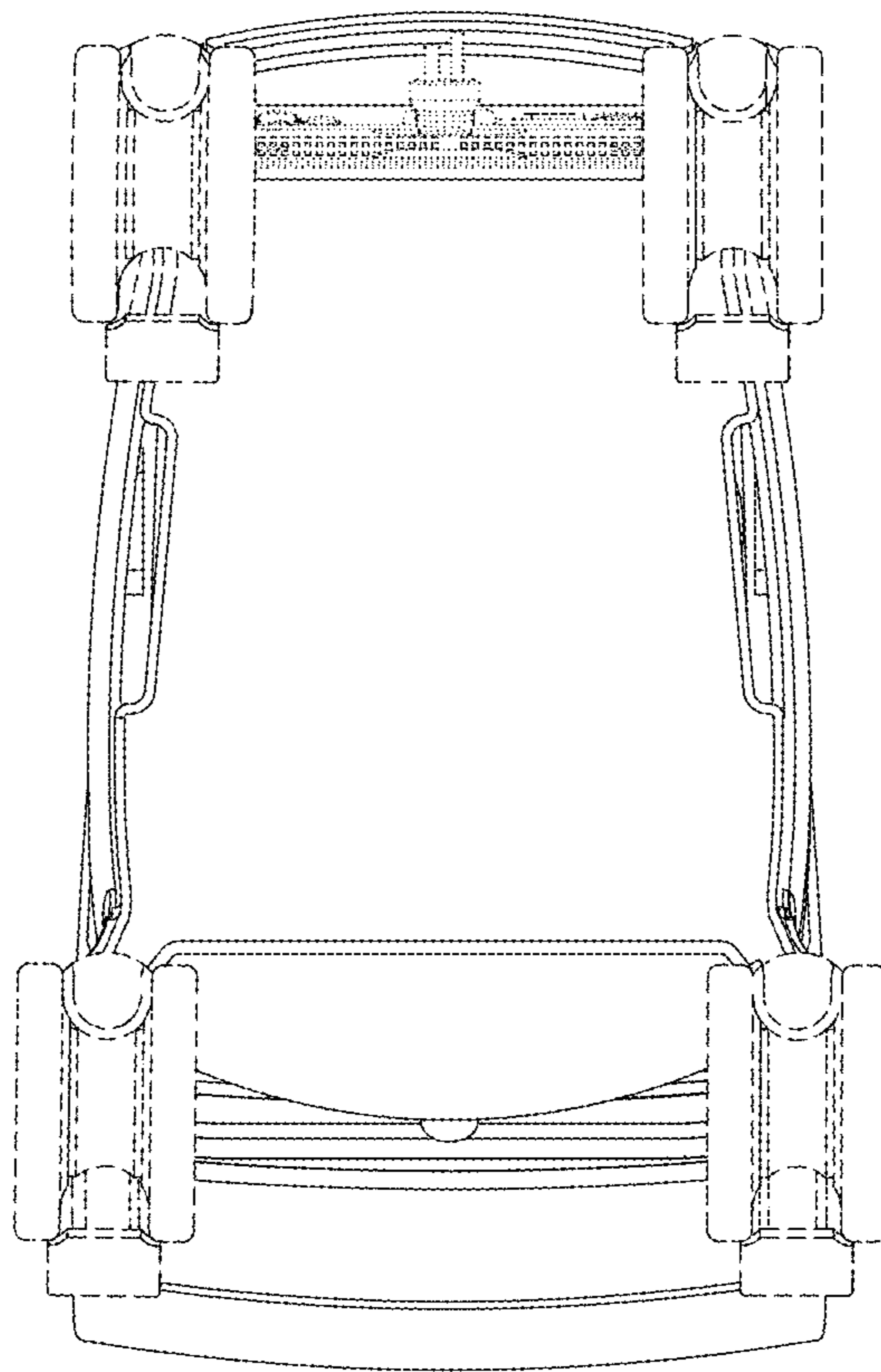


FIG.8

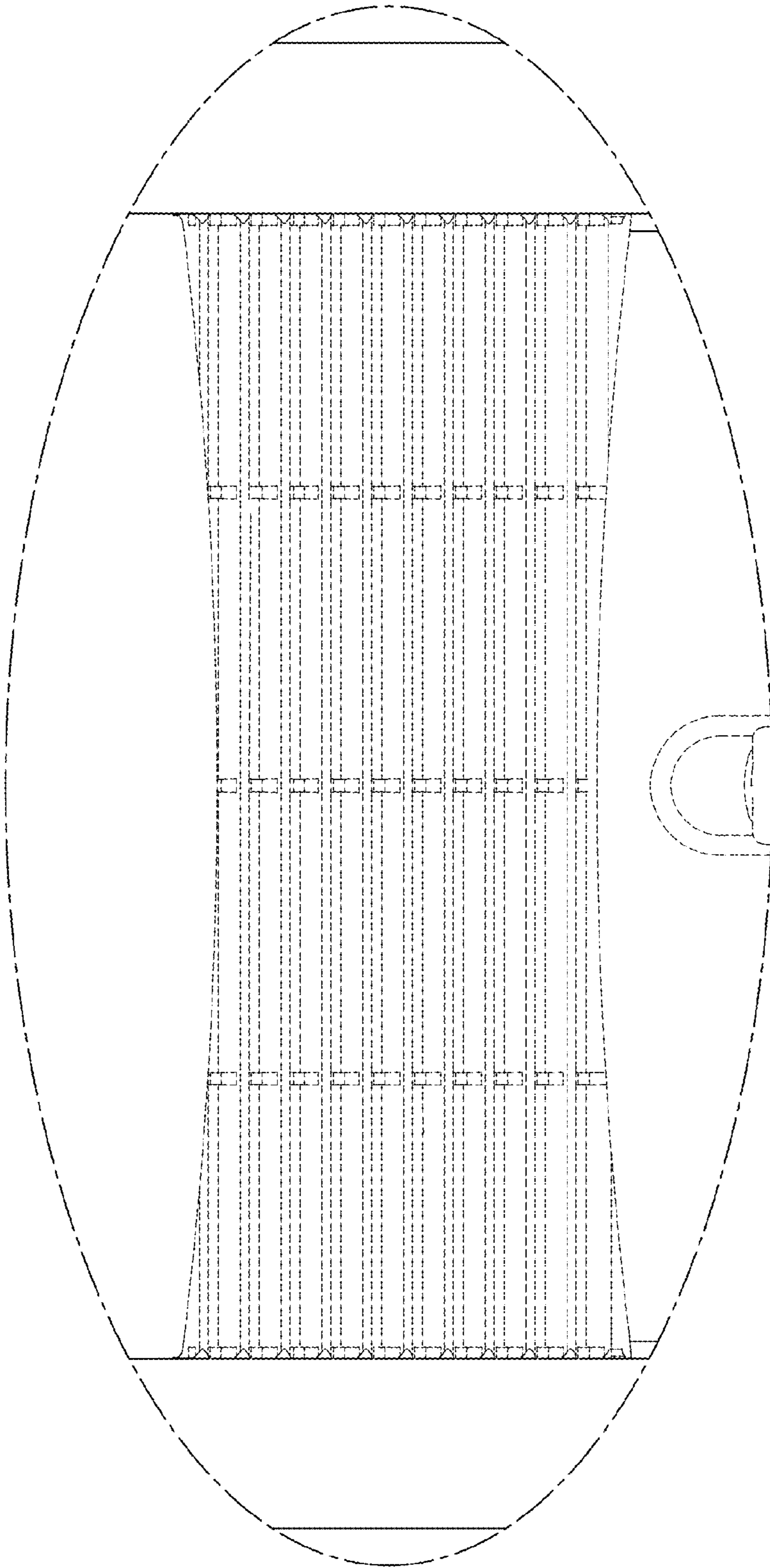


FIG.9

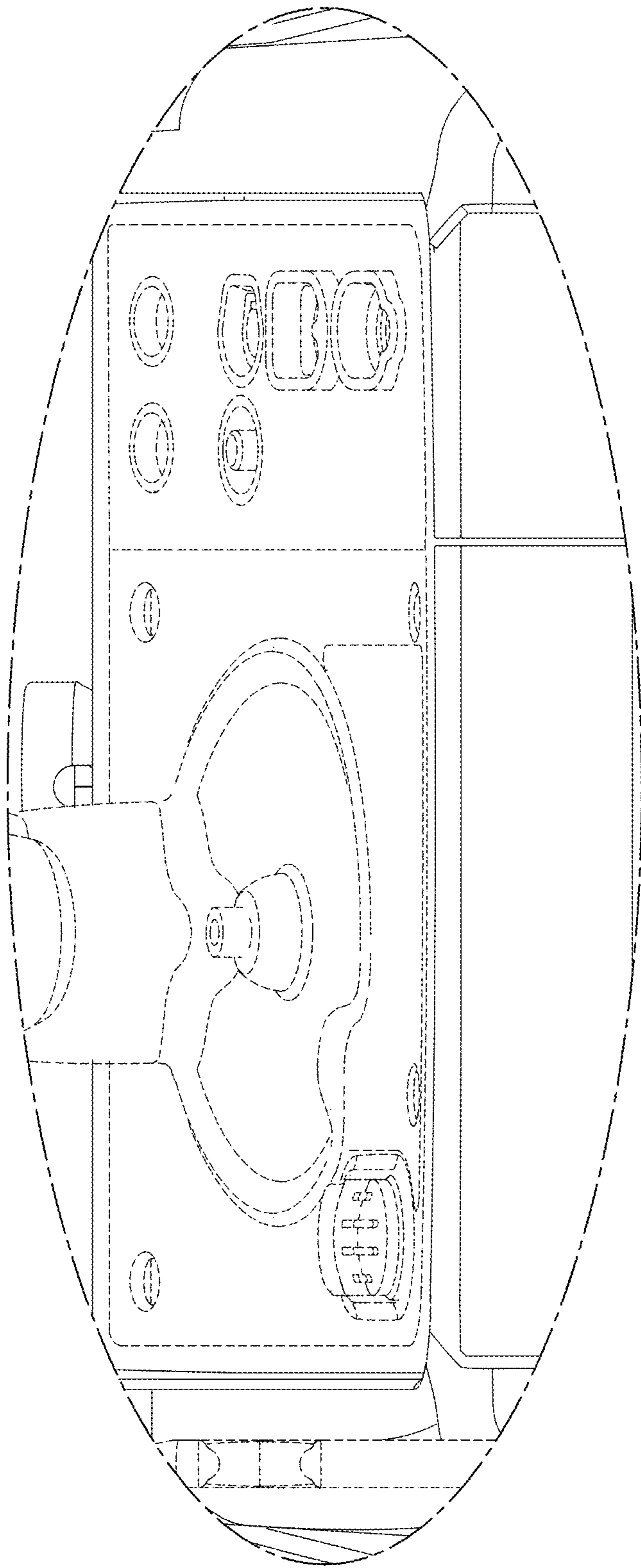


FIG.10

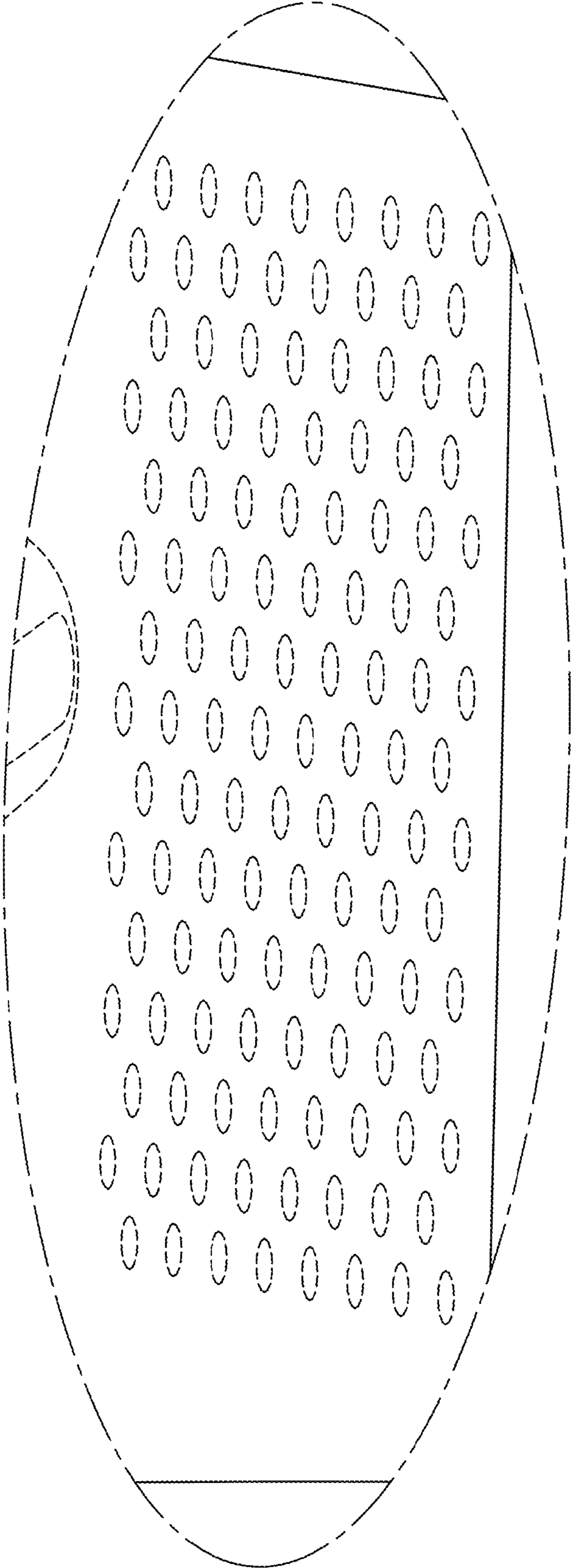


FIG.11

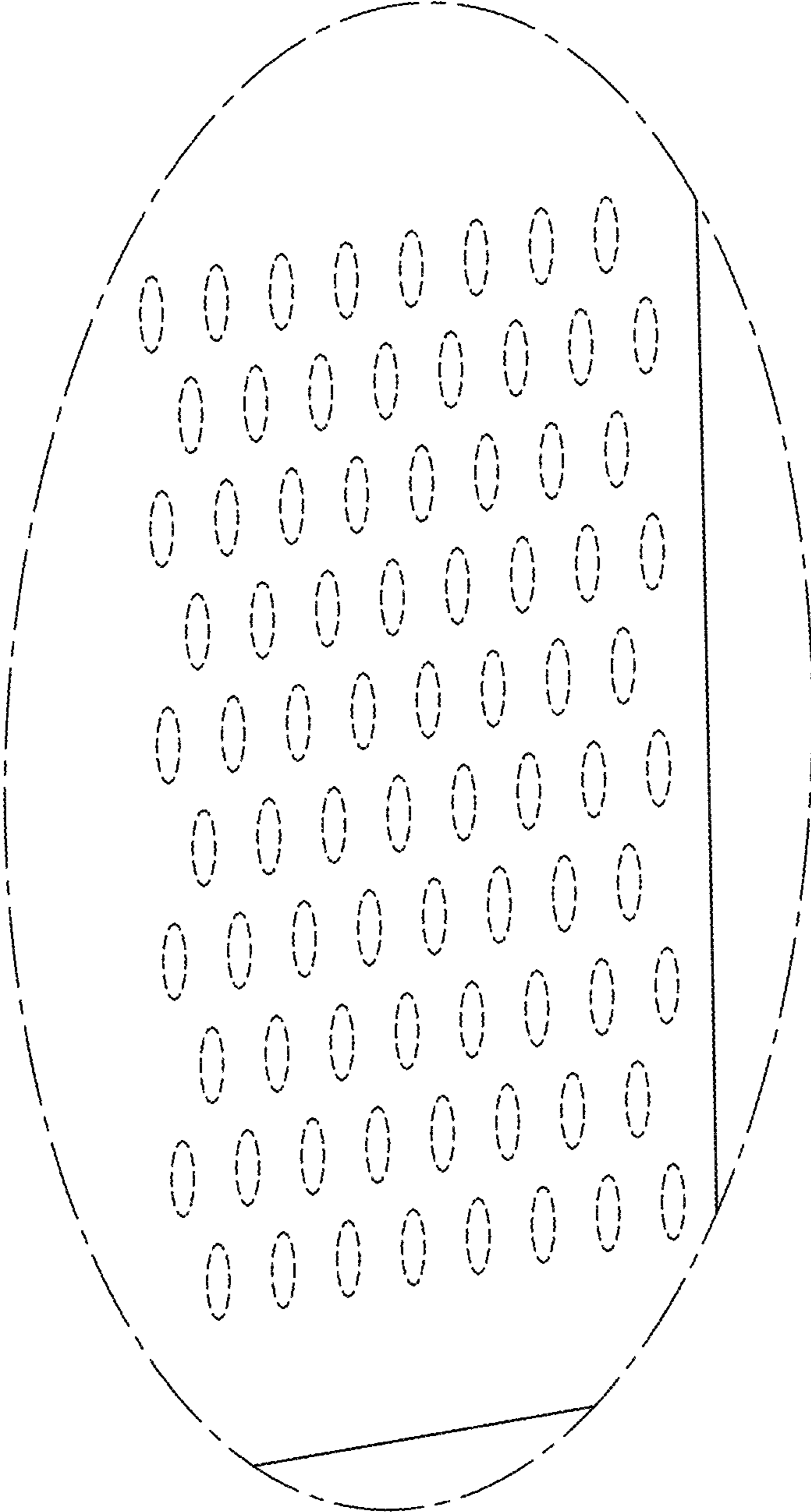


FIG.12