



US00D702840S

(12) **United States Design Patent**
Blomquist et al.

(10) **Patent No.:** **US D702,840 S**
(45) **Date of Patent:** **** Apr. 15, 2014**

(54) **VENTILATOR**

(71) Applicants: **Karin Blomquist**, Sollentuna (SE);
Anna Carell, Bromma (SE); **Aydin Mert**, Orebro (SE)

(72) Inventors: **Karin Blomquist**, Sollentuna (SE);
Anna Carell, Bromma (SE); **Aydin Mert**, Orebro (SE)

(73) Assignee: **Maquet Critical Care AB**, Solna (SE)

(**) Term: **14 Years**

(21) Appl. No.: **29/462,690**

(22) Filed: **Aug. 7, 2013**

(51) **LOC (10) Cl.** **24-00**

(52) **U.S. Cl.**
USPC **D24/164**

(58) **Field of Classification Search**
USPC D24/164, 110, 110.5, 110.6, 167, 186,
D24/185, 231, 234, 129, 118, 177, 183;
600/424, 426, 407; 606/96, 97, 98
See application file for complete search history.

(56) **References Cited**

U.S. PATENT DOCUMENTS

D459,477 S	*	6/2002	Stocks et al.	D24/164
D486,915 S	*	2/2004	Warschewske et al.	D24/185
D518,267 S	*	3/2006	Arceta	D34/14
D555,792 S	*	11/2007	Haymann et al.	D24/177
D559,390 S	*	1/2008	Diener et al.	D24/186
D606,202 S	*	12/2009	Banryu	D24/185
D613,867 S	*	4/2010	Tanaka et al.	D24/185
D626,237 S	*	10/2010	Nordgren et al.	D24/185

D627,474 S		11/2010	Nordgren et al.	
D628,701 S		12/2010	Nordgren et al.	
D629,523 S	*	12/2010	Porter et al. D24/185
D631,551 S		1/2011	Nordgren et al.	
D634,429 S		3/2011	Nordgren et al.	
D643,535 S	*	8/2011	Ross et al. D24/164
D652,936 S	*	1/2012	Ross et al. D24/185
D655,013 S	*	2/2012	Sabaris Vilas D24/185
D657,470 S	*	4/2012	Schon et al. D24/186

* cited by examiner

Primary Examiner — Robert M Spear

Assistant Examiner — Rhea Shields

(74) *Attorney, Agent, or Firm* — Schiff Hardin LLP

(57) **CLAIM**

An ornamental design of a ventilator, as shown and described.

DESCRIPTION

FIG. 1 is a perspective view of a ventilator taken from a direction between a right side and a back of the ventilator; FIG. 2 is a right side elevational view of the ventilator of FIG. 1; FIG. 3 is a left side elevational view of the ventilator of FIG. 1; FIG. 4 is a front elevational view of the ventilator FIG. 1; FIG. 5 is a rear elevational view of the ventilator of FIG. 1; FIG. 6 is a top plan view of the ventilator of FIG. 1; FIG. 7 is a bottom plan view of the ventilator of FIG. 1; FIG. 8 is a perspective view of the ventilator of FIG. 1 taken from a direction between a front and a left side of the ventilator; and, FIG. 9 is a perspective view of the ventilator of FIG. 1 taken from a direction between a front and a right side of the ventilator.

1 Claim, 8 Drawing Sheets

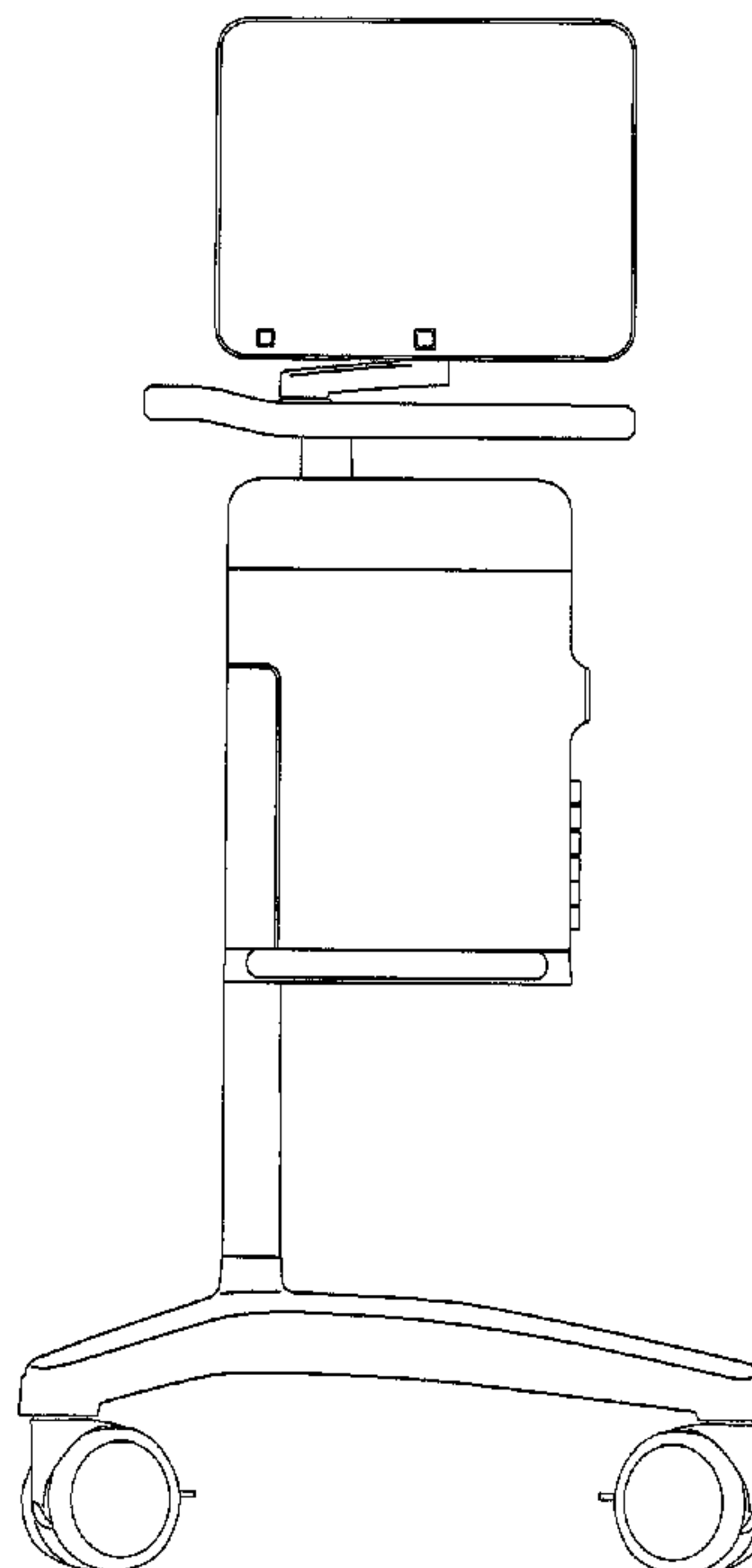
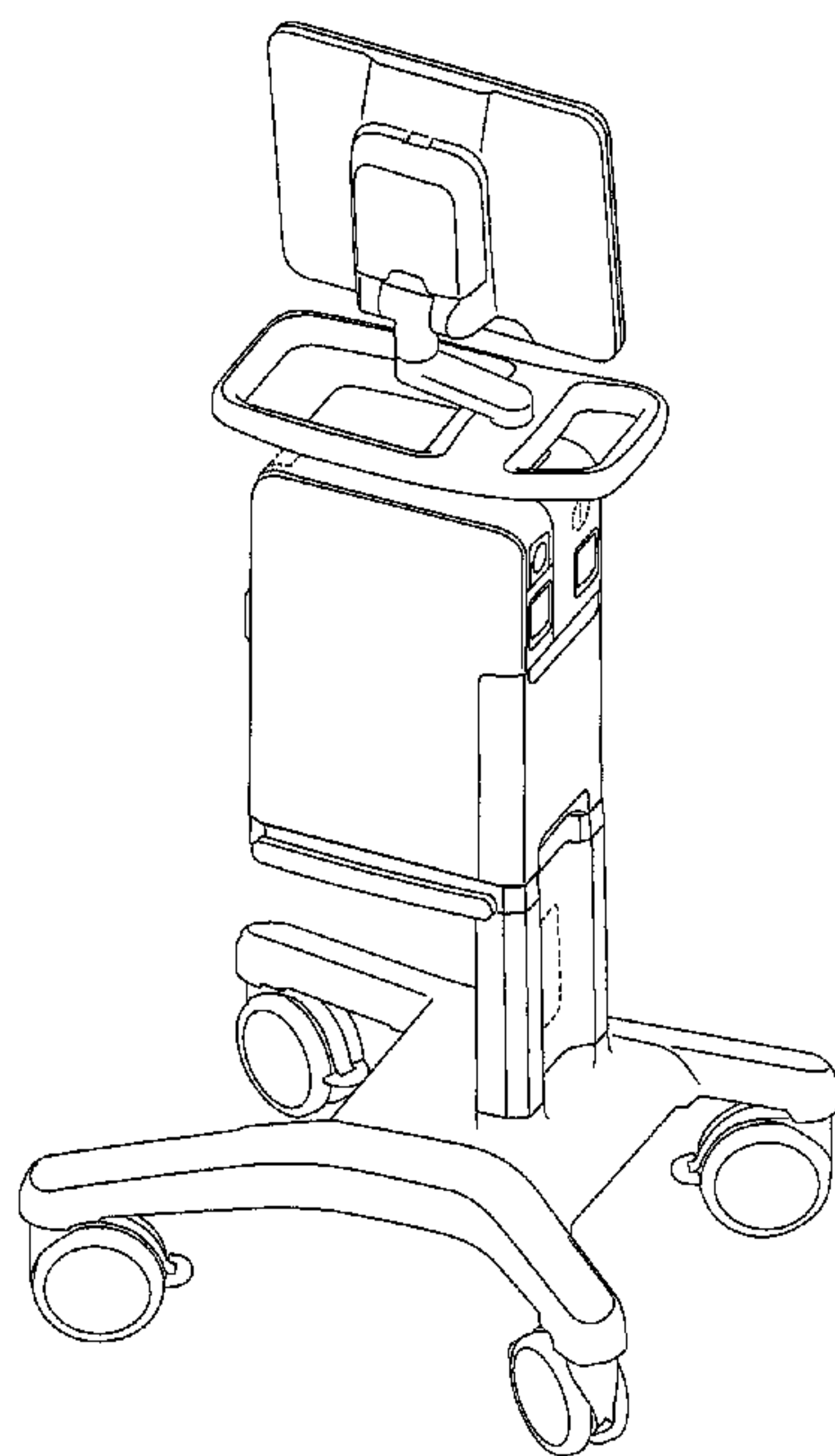


FIG. 1

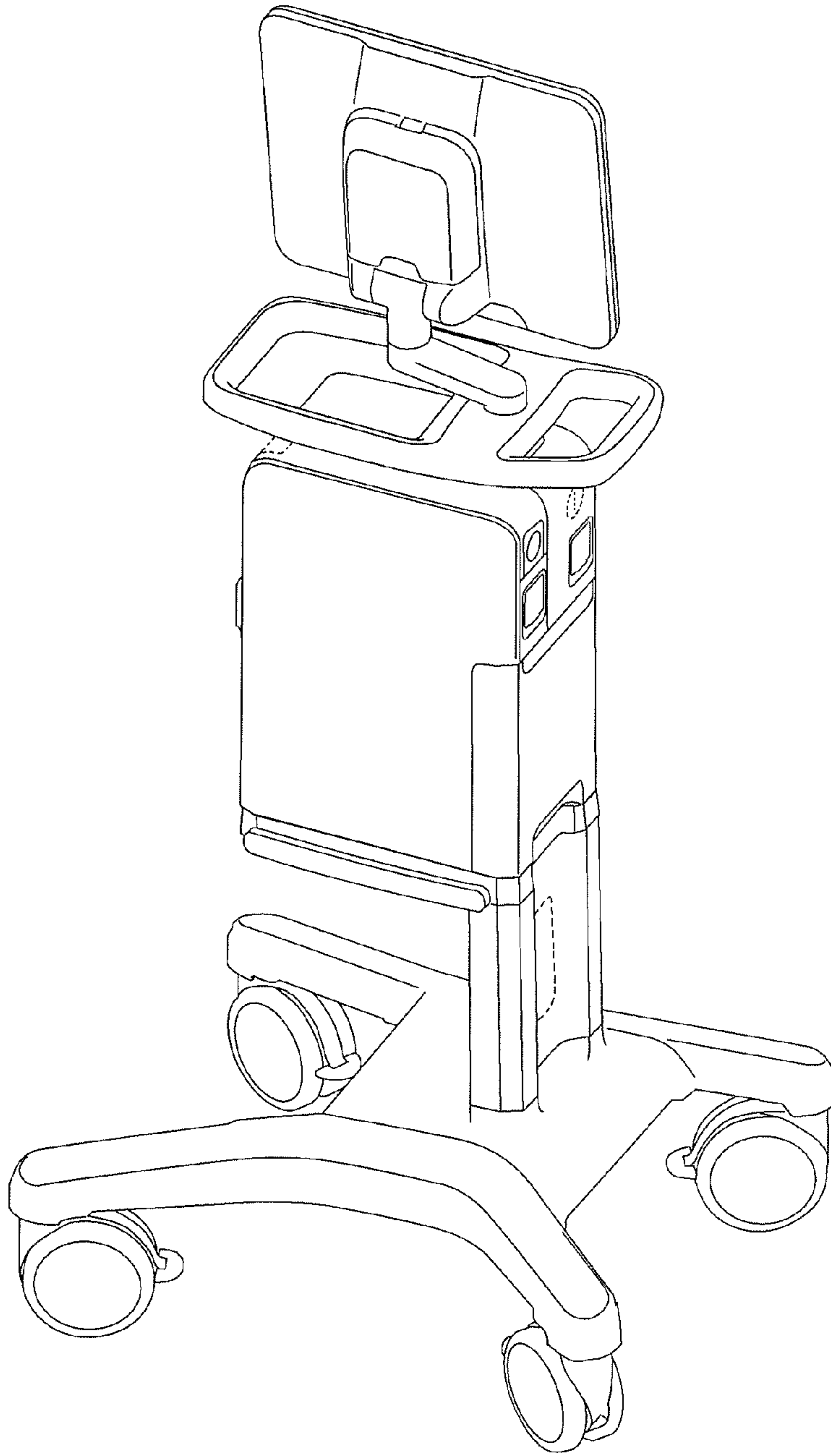


FIG. 2

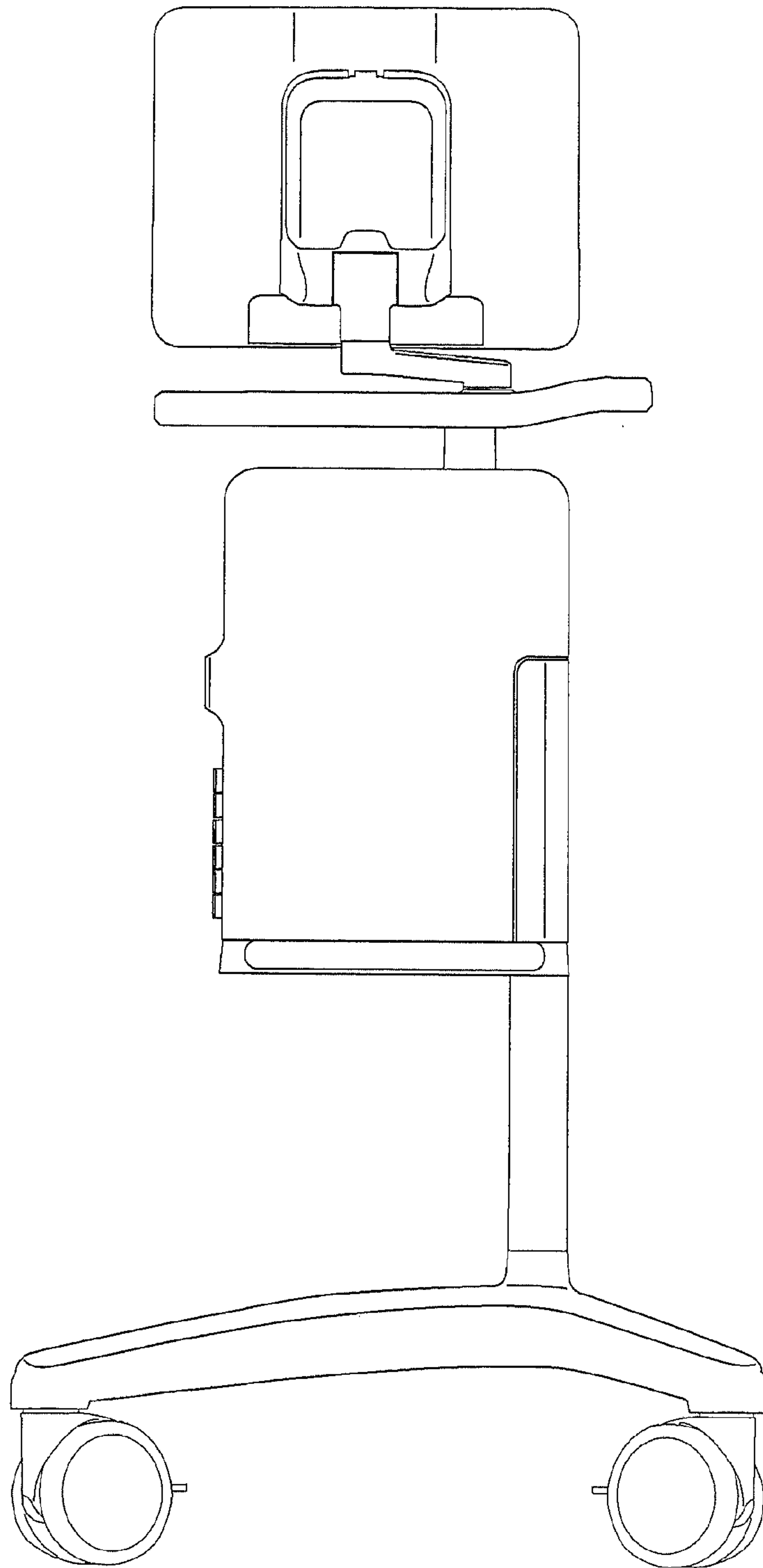


FIG. 3

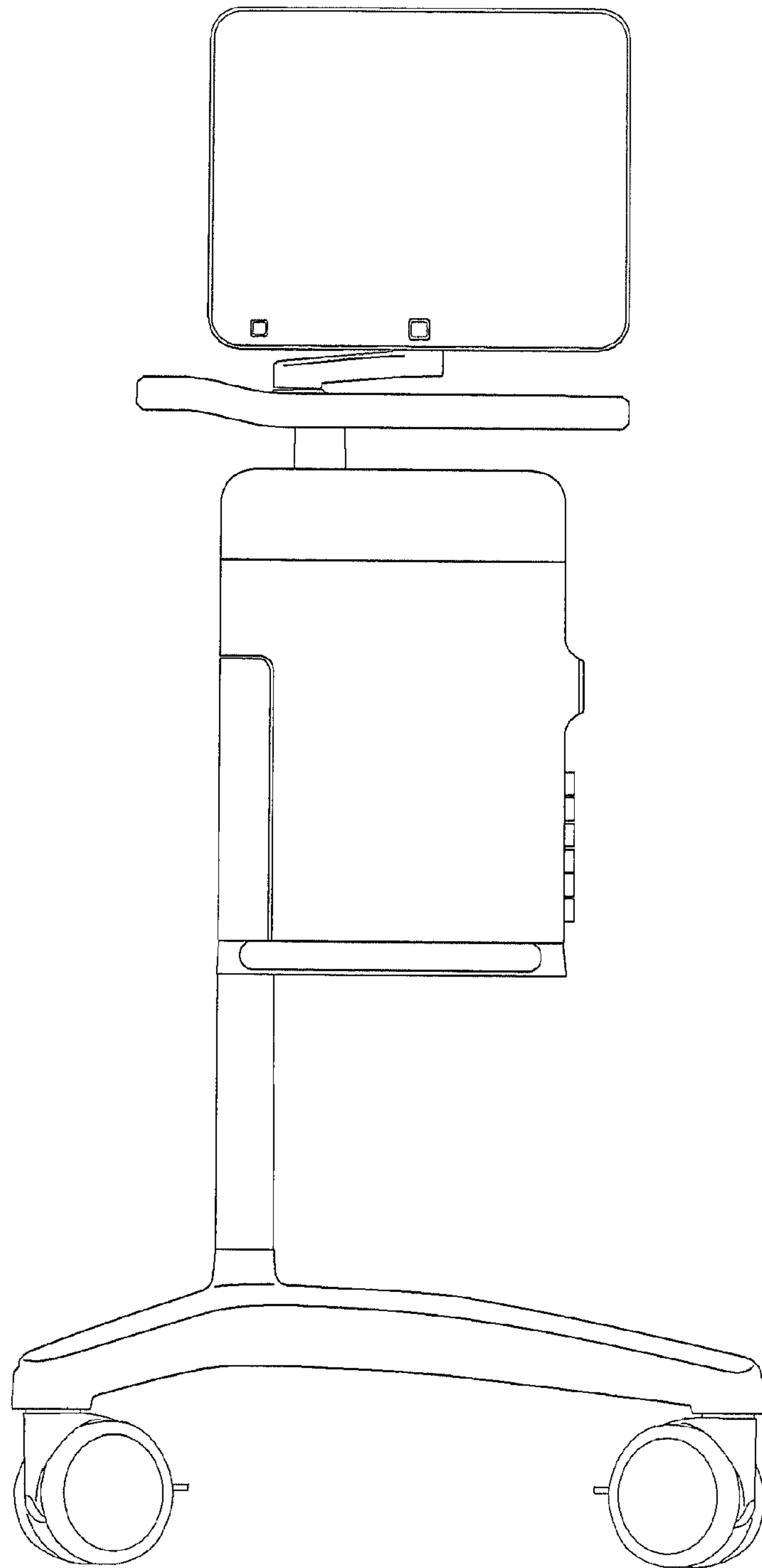


FIG. 4

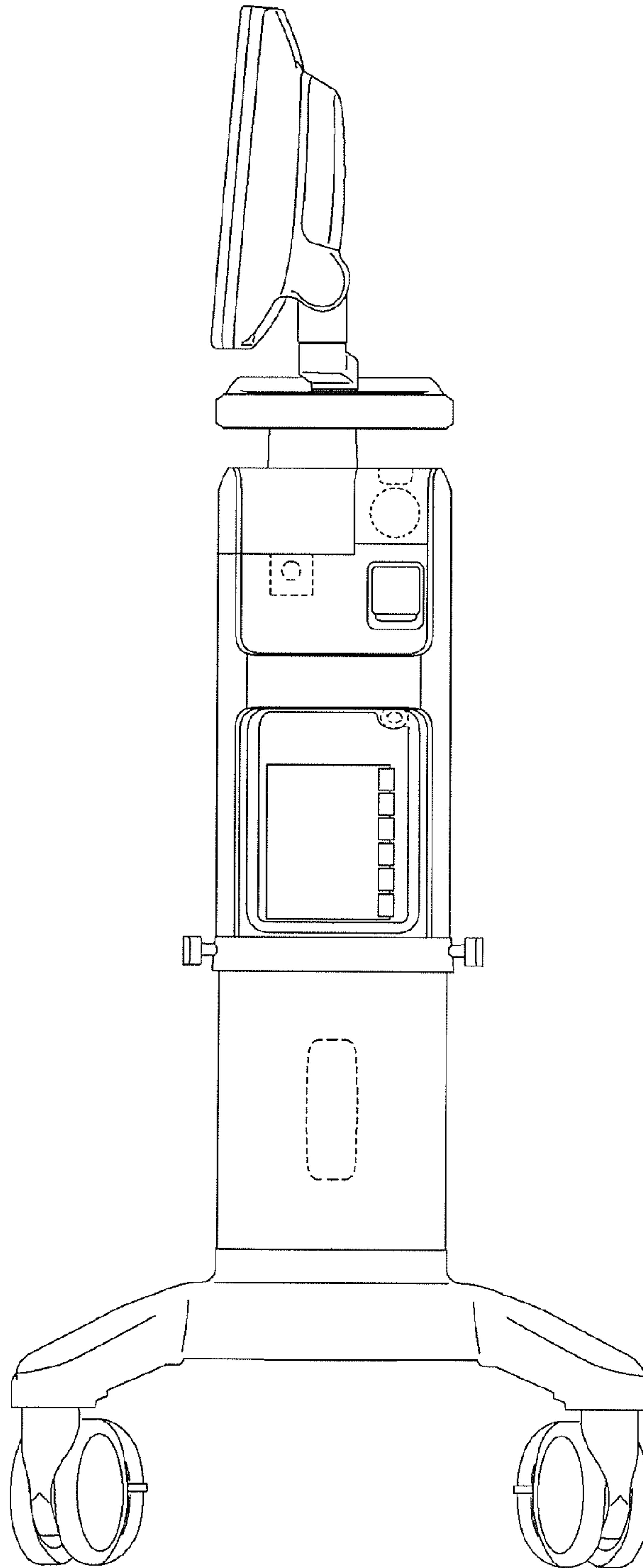


FIG. 5

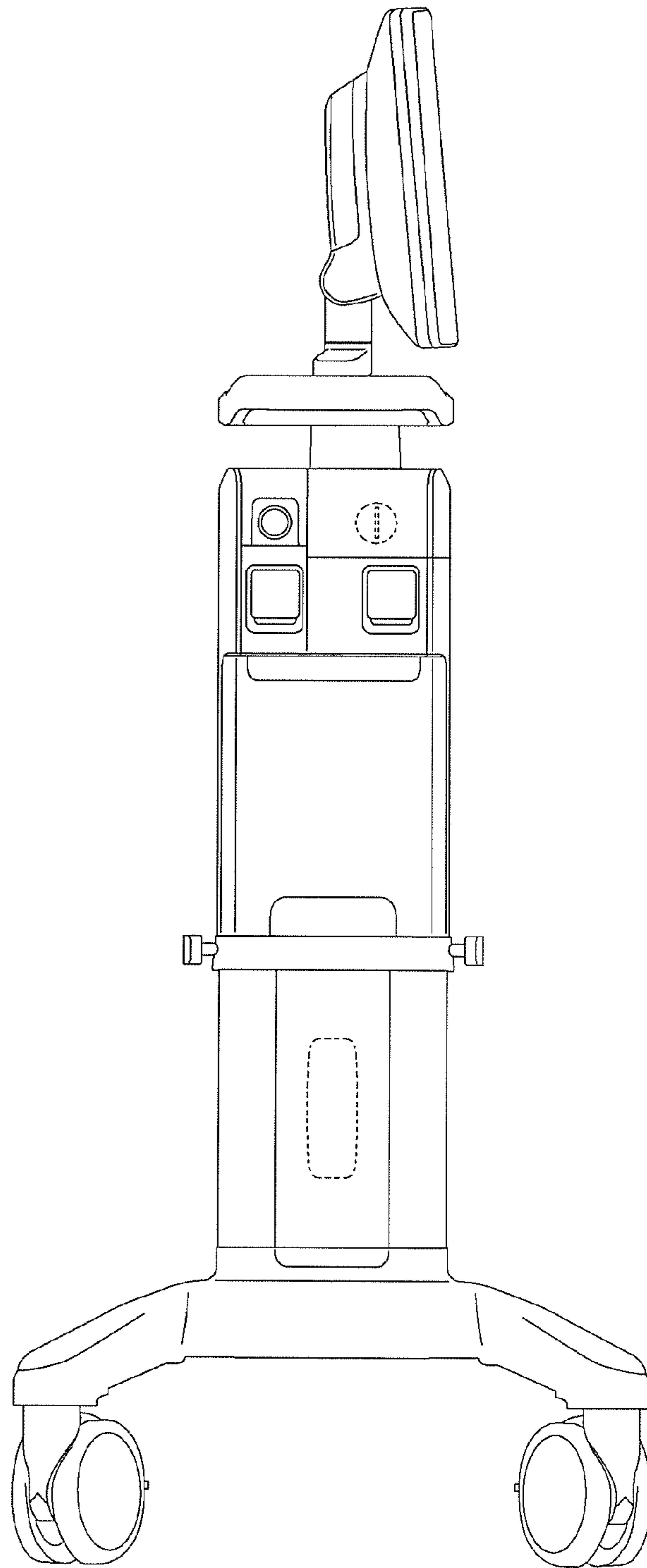


FIG. 6

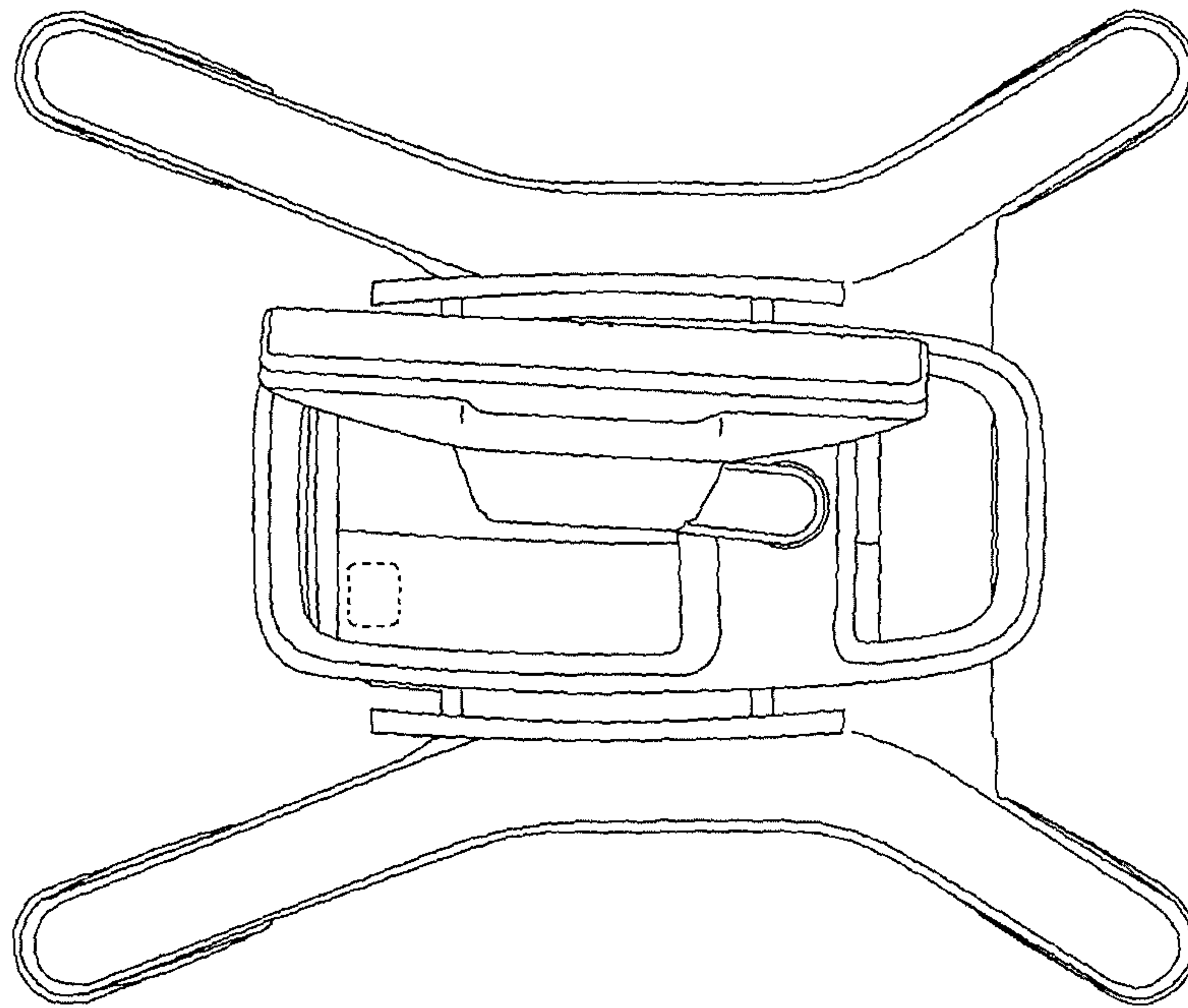


FIG. 7

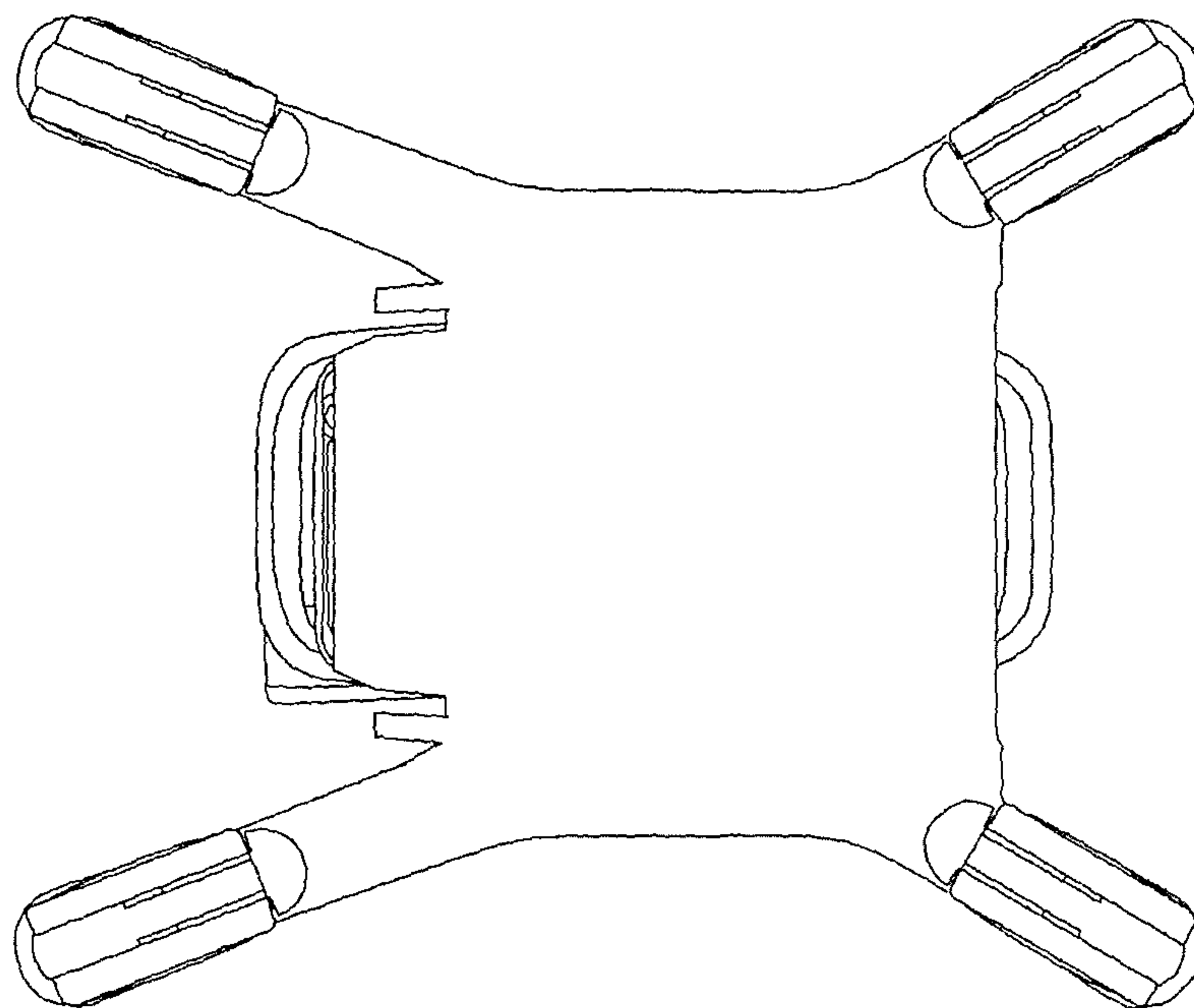


FIG. 8

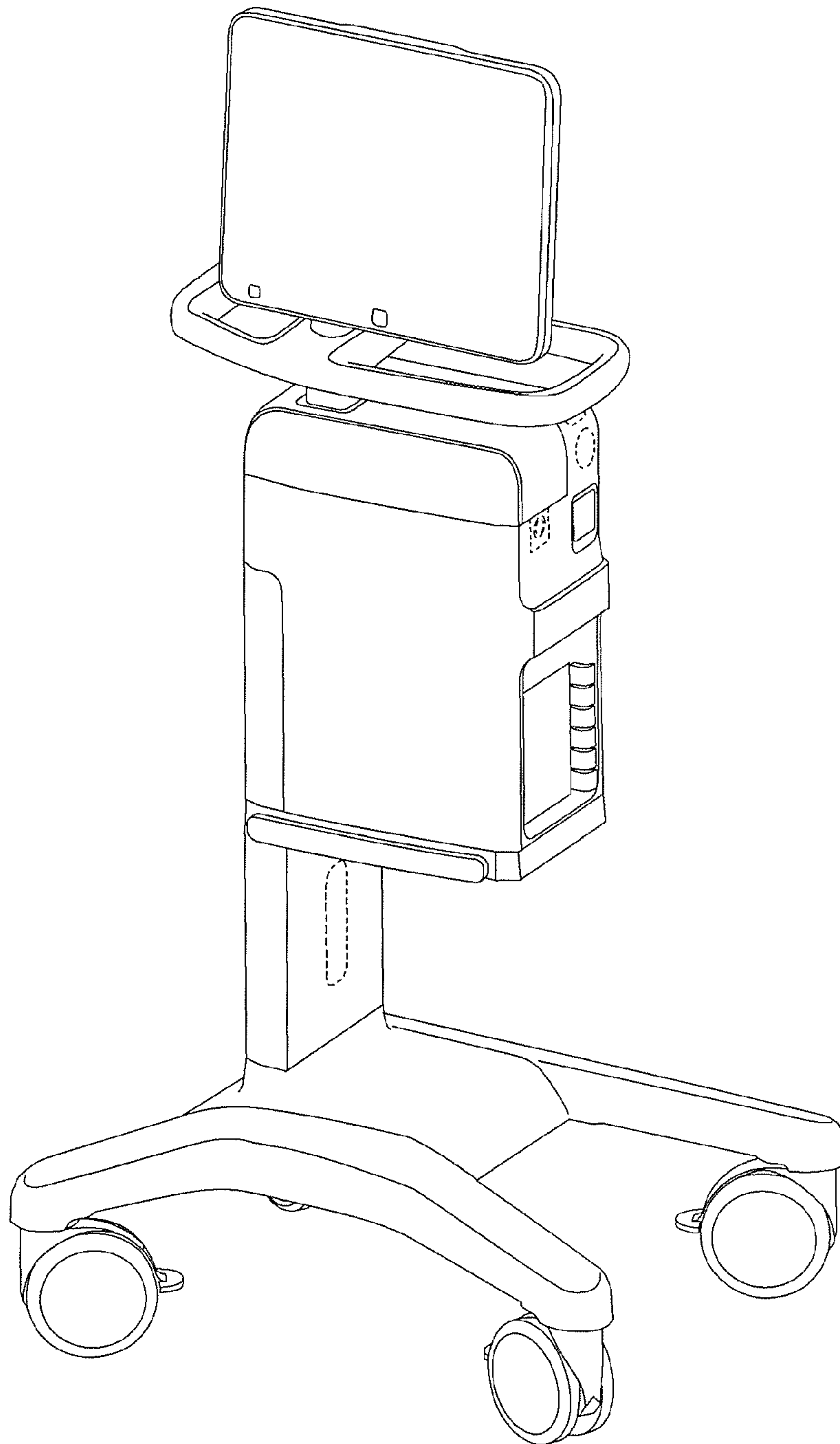
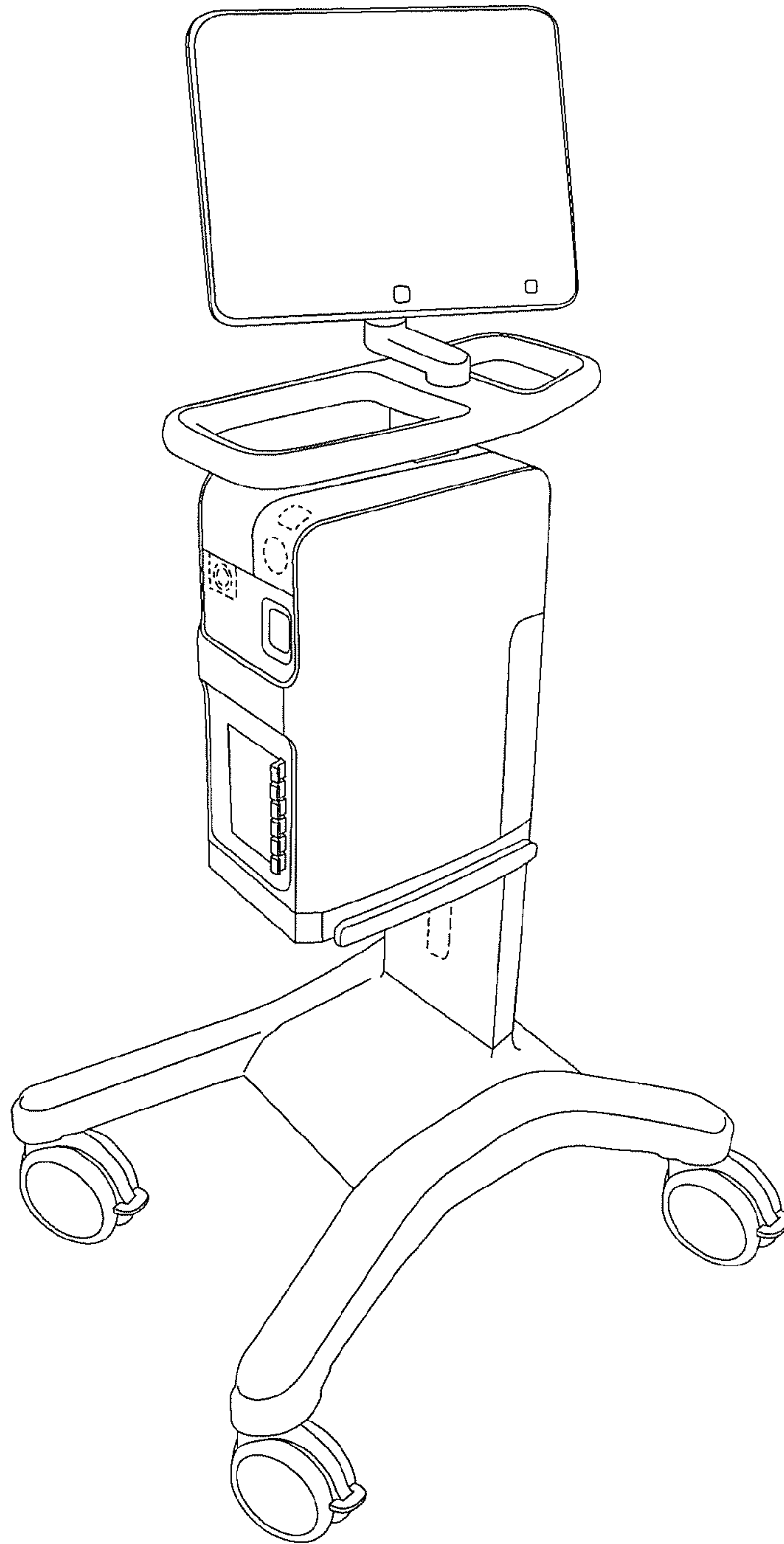


FIG. 9



UNITED STATES PATENT AND TRADEMARK OFFICE
CERTIFICATE OF CORRECTION

PATENT NO. : D702,840 S
APPLICATION NO. : 29/462690
DATED : April 15, 2014
INVENTOR(S) : Karin Blomquist et al.

Page 1 of 1

It is certified that error appears in the above-identified patent and that said Letters Patent is hereby corrected as shown below:

Title Page, below Item (22) the following priority information should be inserted.

TITLE PAGE:

-- (30) Foreign Application Priority Data

July 2, 2013 (EM)..... 002180356 --

Signed and Sealed this
Eighth Day of July, 2014



Michelle K. Lee
Deputy Director of the United States Patent and Trademark Office