



US00D702838S

(12) **United States Design Patent**  
**Limmer**

(10) **Patent No.:** **US D702,838 S**

(45) **Date of Patent:** **\*\* Apr. 15, 2014**

(54) **NAVIGATION SIGHT CARRIER FOR FLAT  
SCREEN DETECTOR SYSTEM**

(56) **References Cited**

U.S. PATENT DOCUMENTS

(71) Applicant: **Siemens Aktiengesellschaft**, Munich  
(DE)

6,309,102	B1	*	10/2001	Stenfors	.....	378/197
D480,142	S	*	9/2003	Chikuma	.....	D24/158
D553,748	S	*	10/2007	Ogiwara	.....	D24/158
D554,257	S	*	10/2007	Ogiwara	.....	D24/158
D585,554	S	*	1/2009	Suzuki	.....	D24/158
D589,621	S	*	3/2009	Ogiwara	.....	D24/158
D648,028	S	*	11/2011	Yokoyama et al.	.....	D24/158
D658,762	S	*	5/2012	Yokoyama et al.	.....	D24/158
2012/0314839	A1	*	12/2012	Bernhardt et al.	.....	378/62

(72) Inventor: **Andreas Limmer**, Fuerth (DE)

(73) Assignee: **Siemens Aktiengesellschaft**, Munich  
(DE)

\* cited by examiner

(\*\*) Term: **14 Years**

*Primary Examiner* — Anhdao Doan

(21) Appl. No.: **29/453,022**

(74) *Attorney, Agent, or Firm* — Laurence A. Greenberg;  
Werner H. Stemer; Ralph E. Locher

(22) Filed: **Apr. 24, 2013**

(57) **CLAIM**

(30) **Foreign Application Priority Data**

The ornamental design for a navigation sight carrier for flat screen detector system, as shown and described.

Oct. 24, 2012 (EM) ..... 001348601

**DESCRIPTION**

(51) **LOC (10) Cl.** ..... **24-01**

FIG. 1 is a front view of a navigation sight carrier for flat screen detector system, showing my new design;

(52) **U.S. Cl.**

FIG. 2 is a rear view thereof;

USPC ..... **D24/158**

FIG. 3 is a top plan view thereof;

(58) **Field of Classification Search**

USPC ..... D24/158-161, 185, 186; 378/4, 15, 17,  
378/20, 21, 23-27, 62, 68, 146, 195-198,  
378/57

FIG. 4 is a bottom plan view thereof;

FIG. 5 is a right side view thereof;

FIG. 6 is a left side view thereof; and,

FIG. 7 is a perspective view thereof.

See application file for complete search history.

**1 Claim, 7 Drawing Sheets**

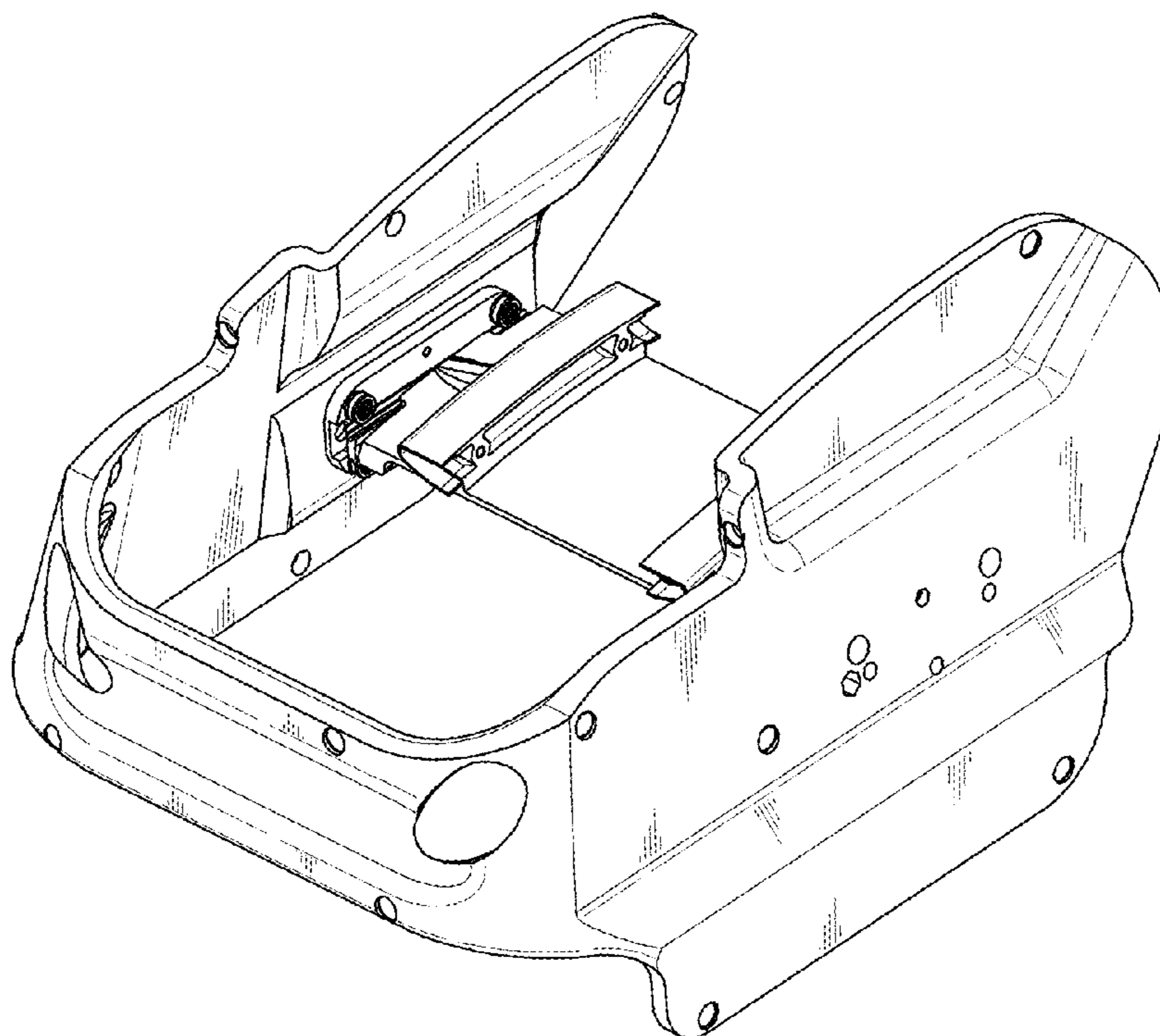


FIG 1

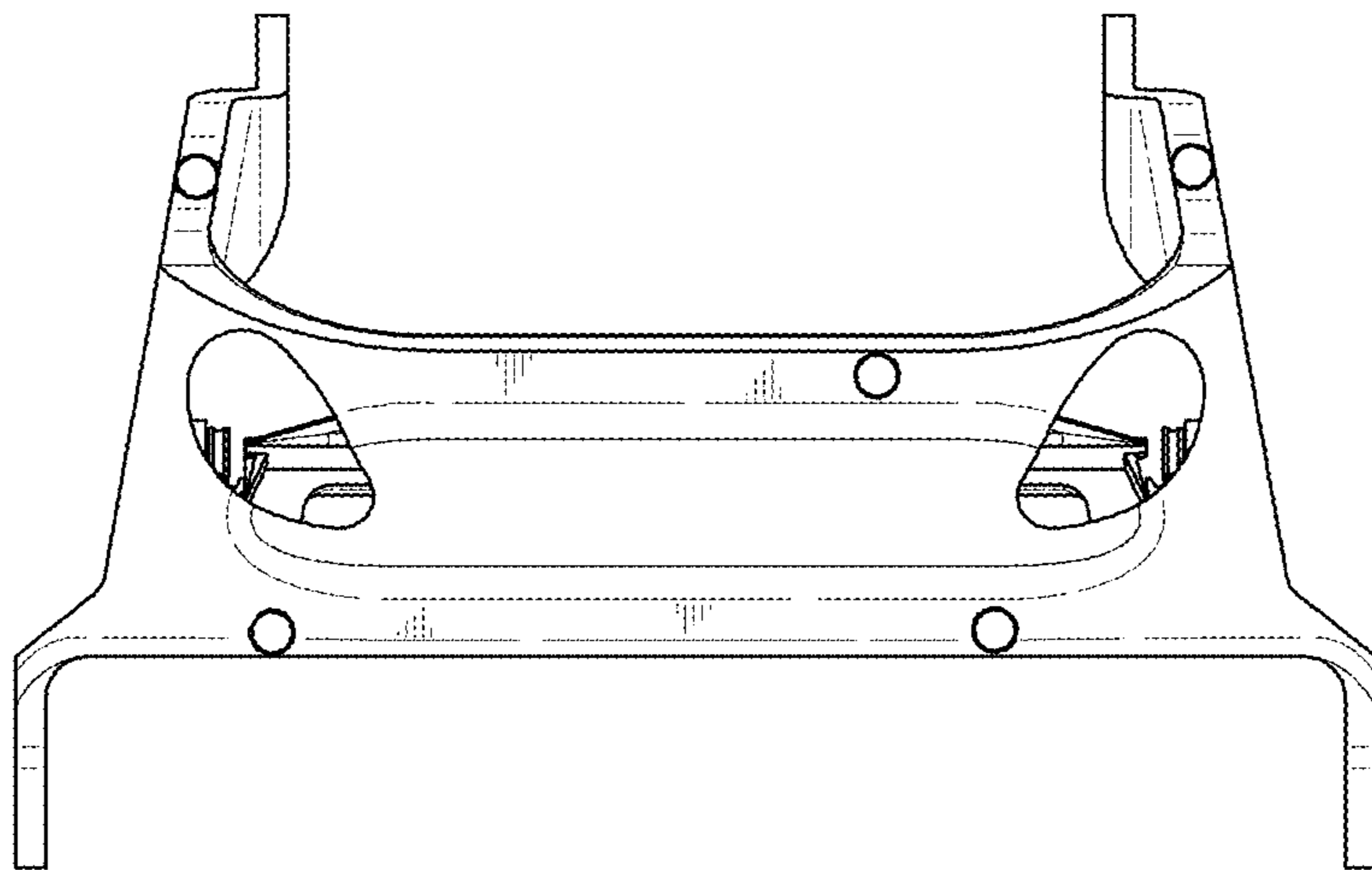


FIG 2

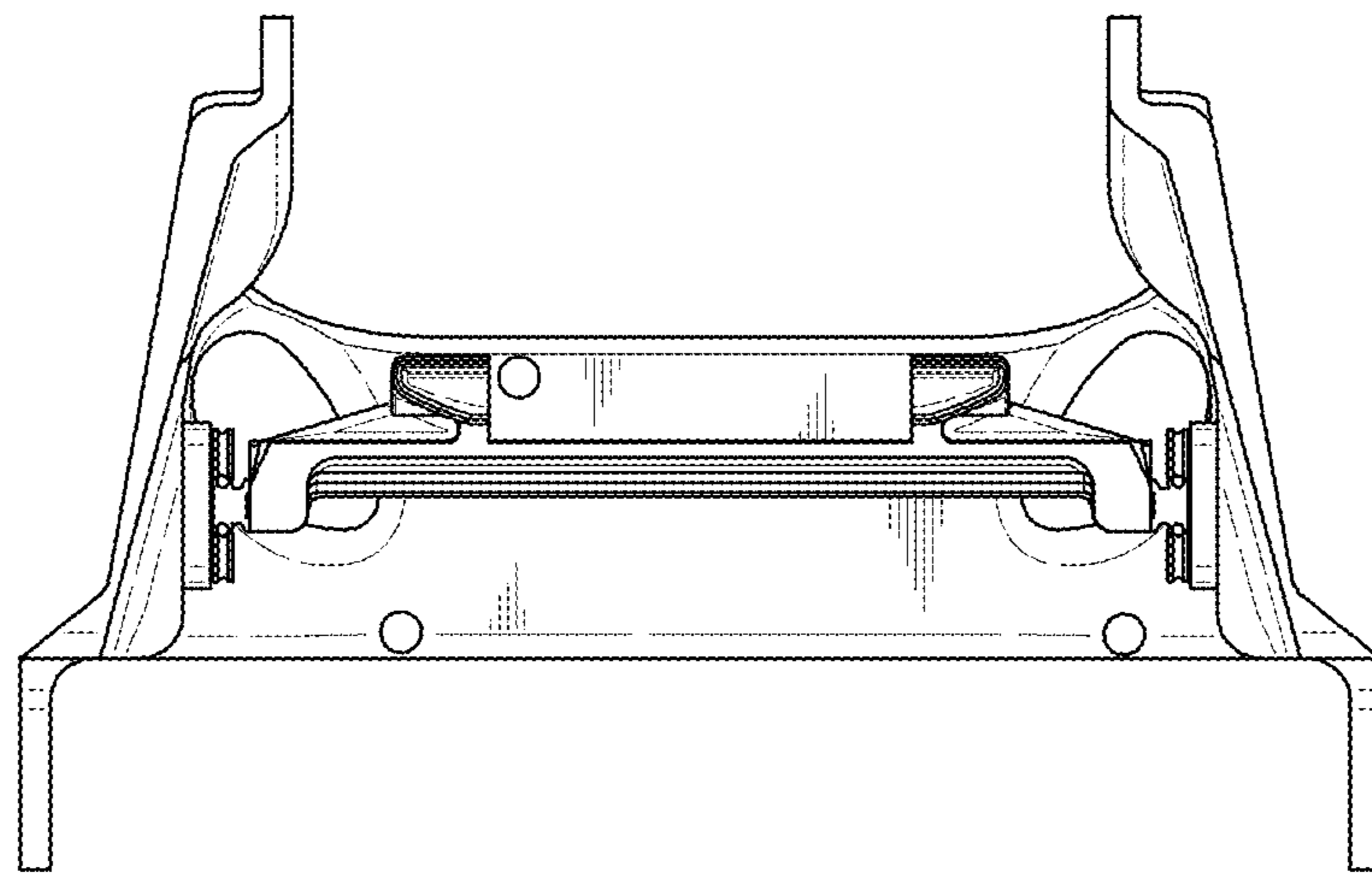


FIG 3

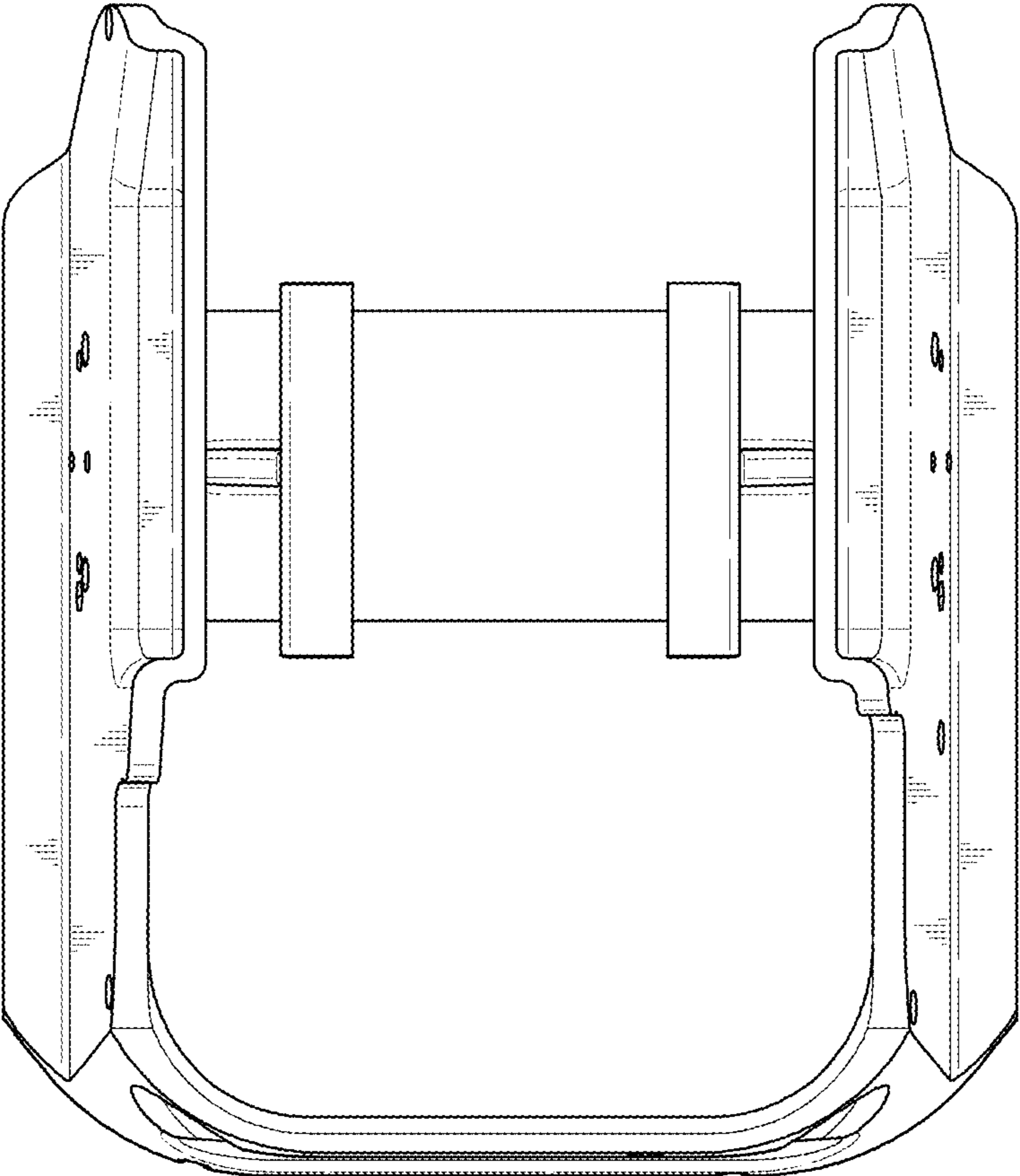


FIG 4

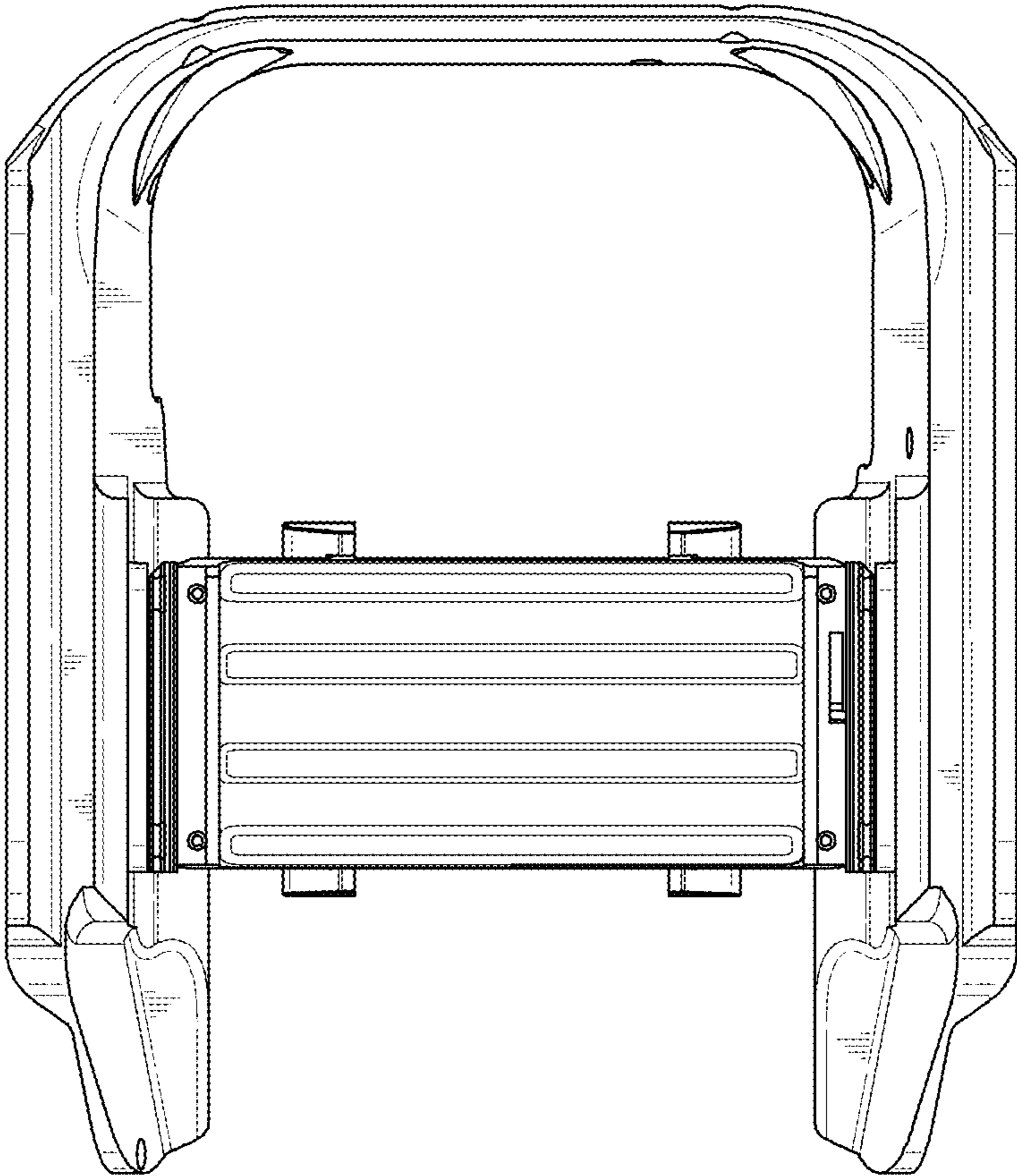


FIG 5

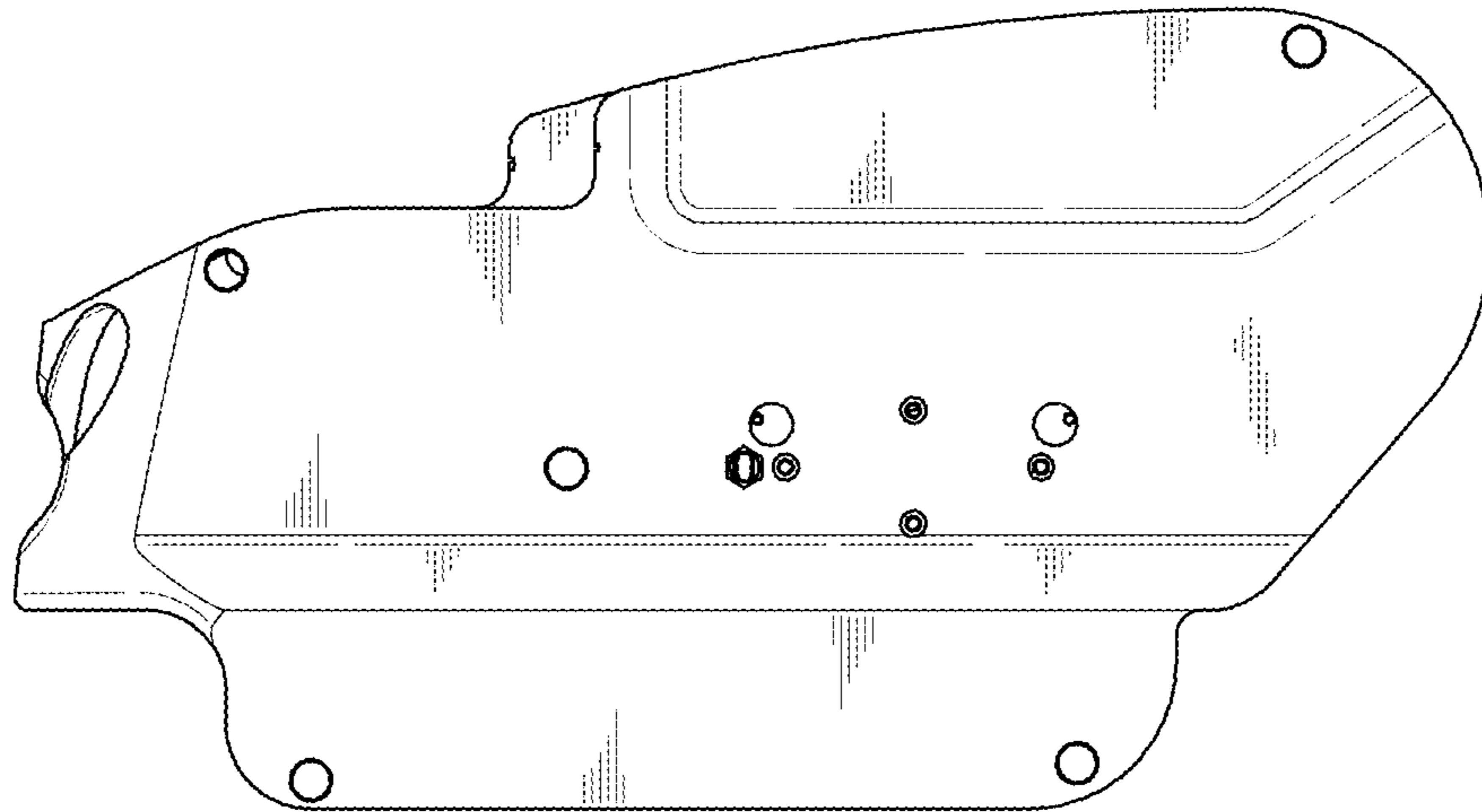


FIG 6

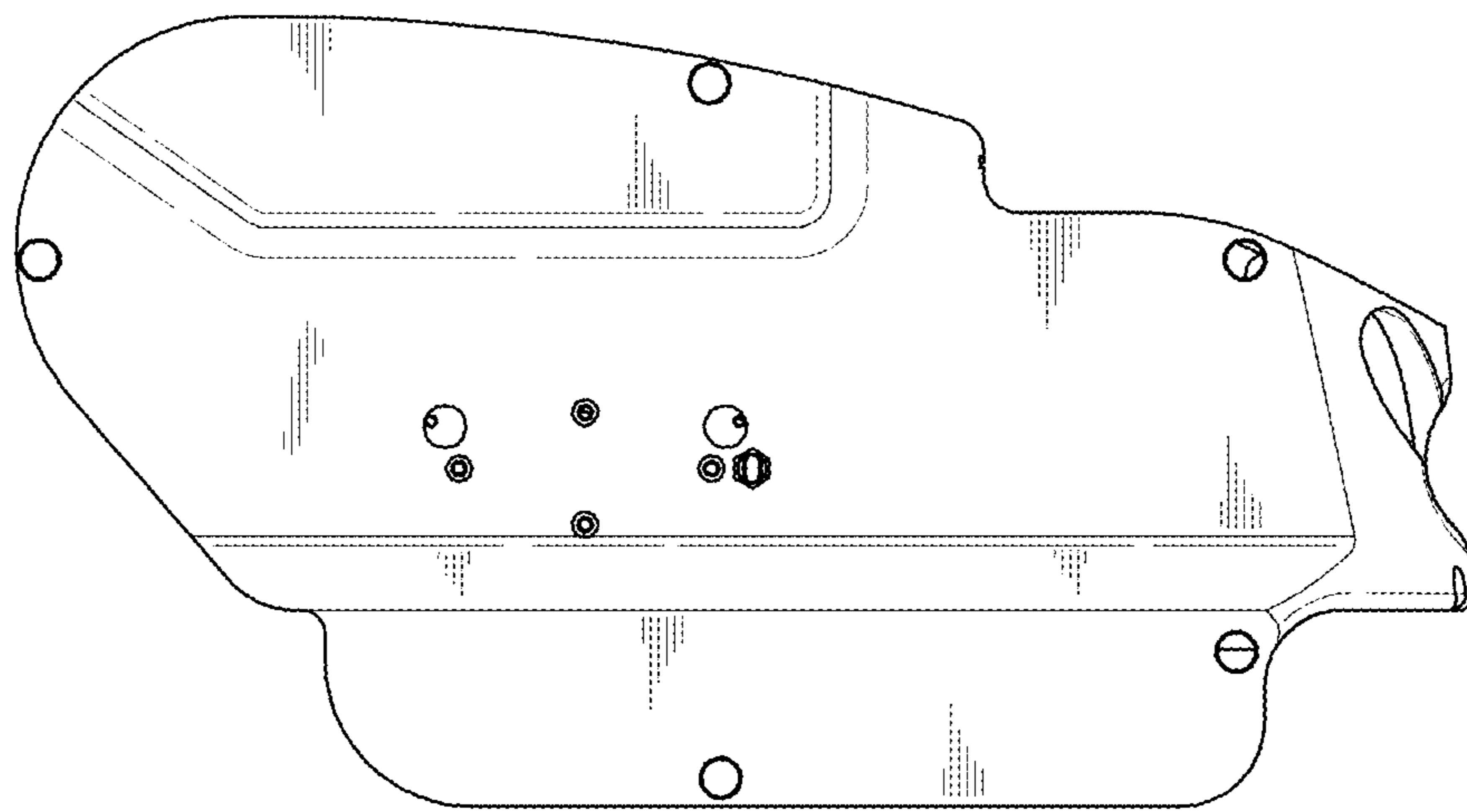


FIG 7

