



US00D702835S

(12) **United States Design Patent**
Vinchon

(10) **Patent No.:** **US D702,835 S**

(45) **Date of Patent:** **** Apr. 15, 2014**

(54) **NEEDLE RETAINING DEVICE**

(75) **Inventor:** **Cyrille Vinchon, Chilly (FR)**

(73) **Assignee:** **Anteis SA, Meyrin (CH)**

(**) **Term:** **14 Years**

(21) **Appl. No.:** **29/426,287**

(22) **Filed:** **Jul. 3, 2012**

(30) **Foreign Application Priority Data**

Jan. 4, 2012 (EP) 1971342

(51) **LOC (10) Cl.** **24-02**

(52) **U.S. Cl.**
USPC **D24/130**

(58) **Field of Classification Search**
USPC D24/127-131, 112-114, 133, 186;
606/181, 185; 604/264, 272, 115, 232,
604/187, 158, 164.08, 192, 263, 163, 181,
604/184, 198, 227; 600/101, 139, 143;
128/200.24, 207.14, 207.15

See application file for complete search history.

(56) **References Cited**

U.S. PATENT DOCUMENTS

D397,217 S * 8/1998 Brookfield D24/130
D399,315 S * 10/1998 Fulk et al. D24/114
D543,624 S * 5/2007 Khalaj D24/130
D601,247 S * 9/2009 Hardin D24/128
D605,288 S * 12/2009 Brostoff et al. D24/133

D615,192 S * 5/2010 Mudd et al. D24/113
D625,805 S * 10/2010 Hereford D24/140
D634,424 S * 3/2011 Morejon D24/146
D636,077 S * 4/2011 Dale et al. D24/129
D642,261 S * 7/2011 York et al. D24/130
D660,418 S * 5/2012 Kuczek et al. D24/130
D667,111 S * 9/2012 Robinson D24/133
D679,008 S * 3/2013 Schroeder et al. D24/129

* cited by examiner

Primary Examiner — David Muller

(74) *Attorney, Agent, or Firm* — Cooper Legal Group, LLC

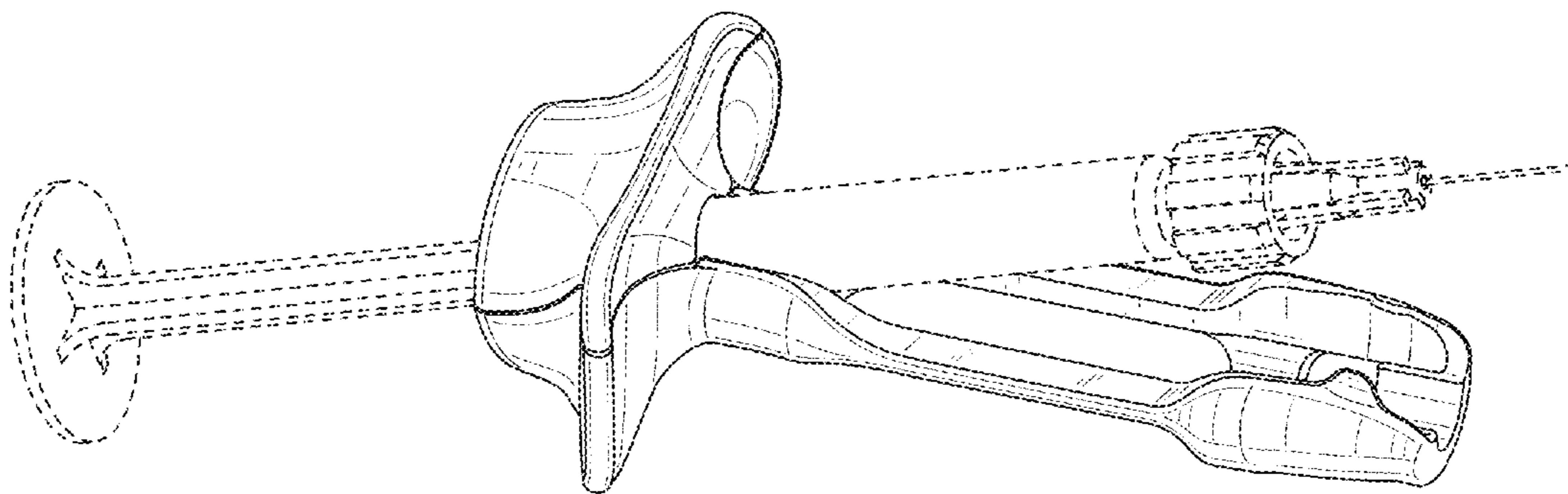
(57) **CLAIM**

The ornamental for a needle retaining device, as shown and described.

DESCRIPTION

FIG. 1 is a top view of a new design of a needle retaining device showing my new design;
FIG. 2 is a first end view thereof;
FIG. 3 is a first side view thereof;
FIG. 4 is a second side view thereof;
FIG. 5 is a second end view thereof;
FIG. 6 is a bottom view thereof;
FIG. 7 is a perspective view thereof; and,
FIG. 8 is an environmental perspective view thereof showing an associated needle retained thereby.
The broken line showing of the needle in FIG. 8 and the broken lines in other parts of the drawings is included for the purpose of illustrating use and environment and forms no part of the claimed design.

1 Claim, 8 Drawing Sheets



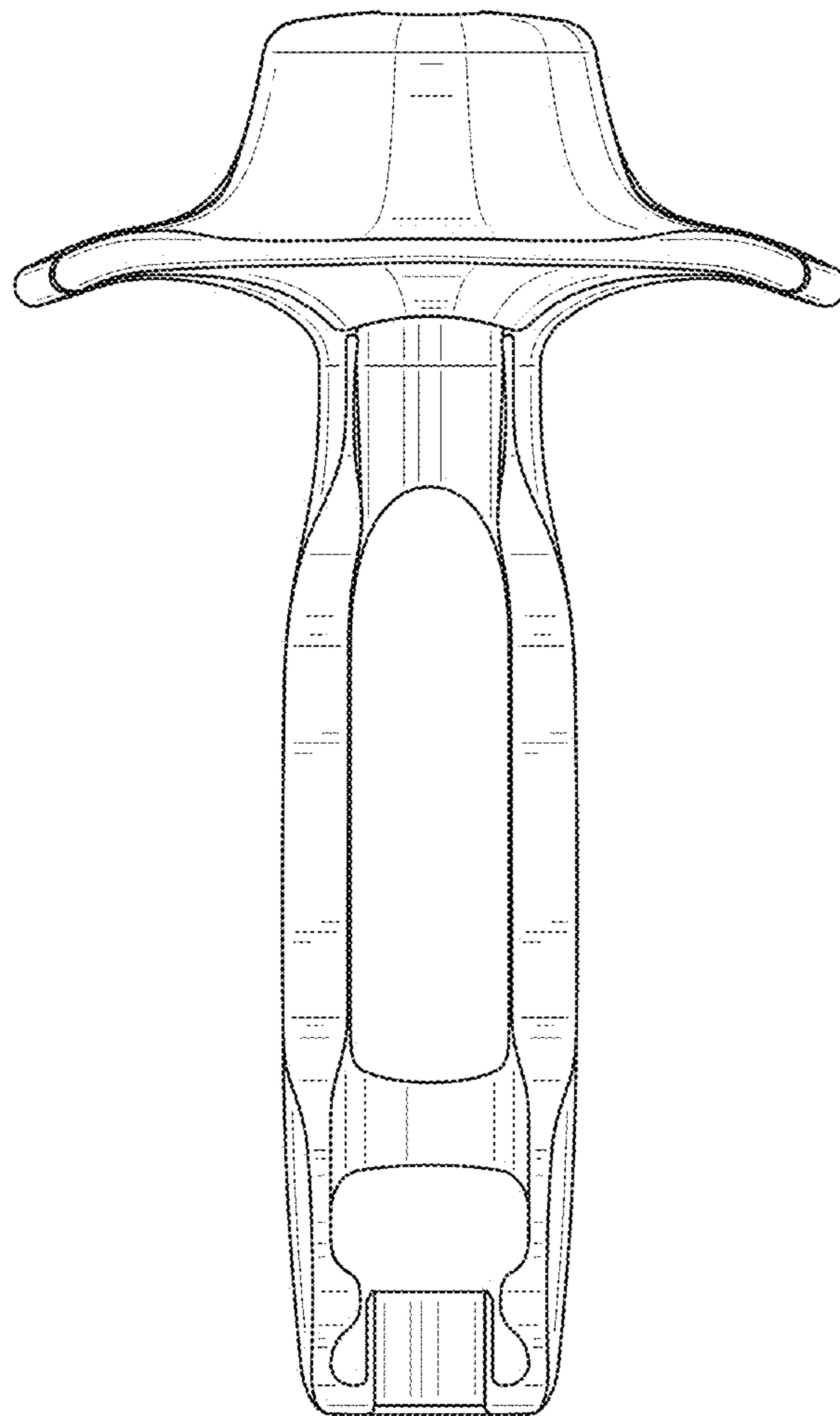


FIG. 1

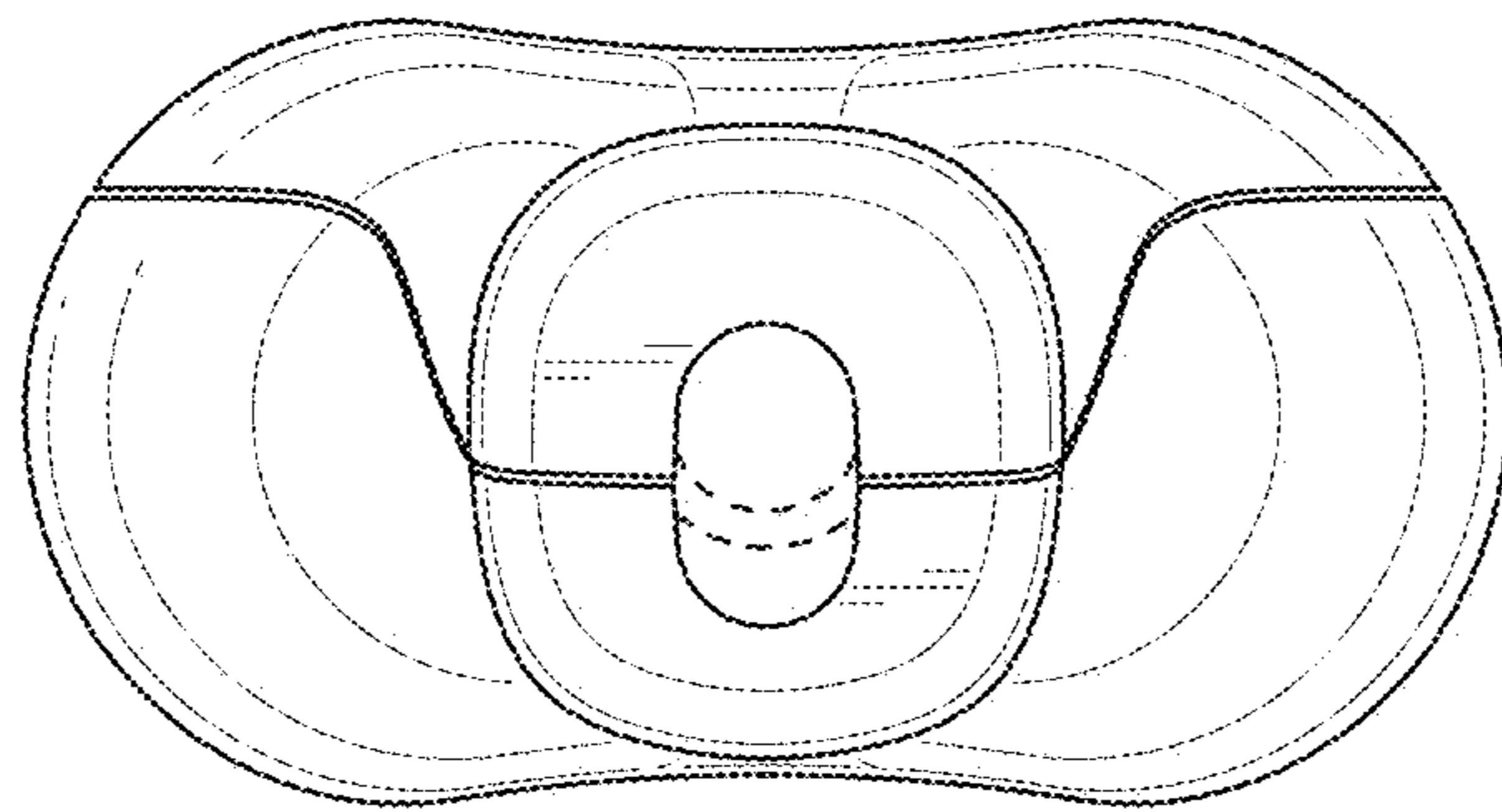


FIG. 2

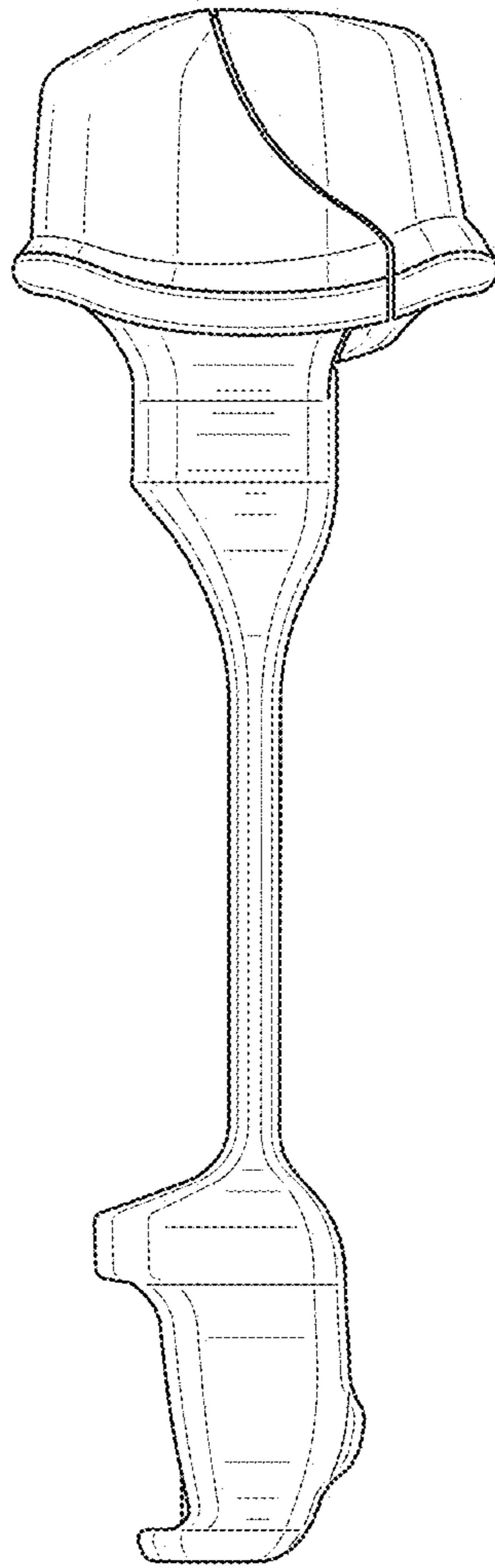


FIG. 3

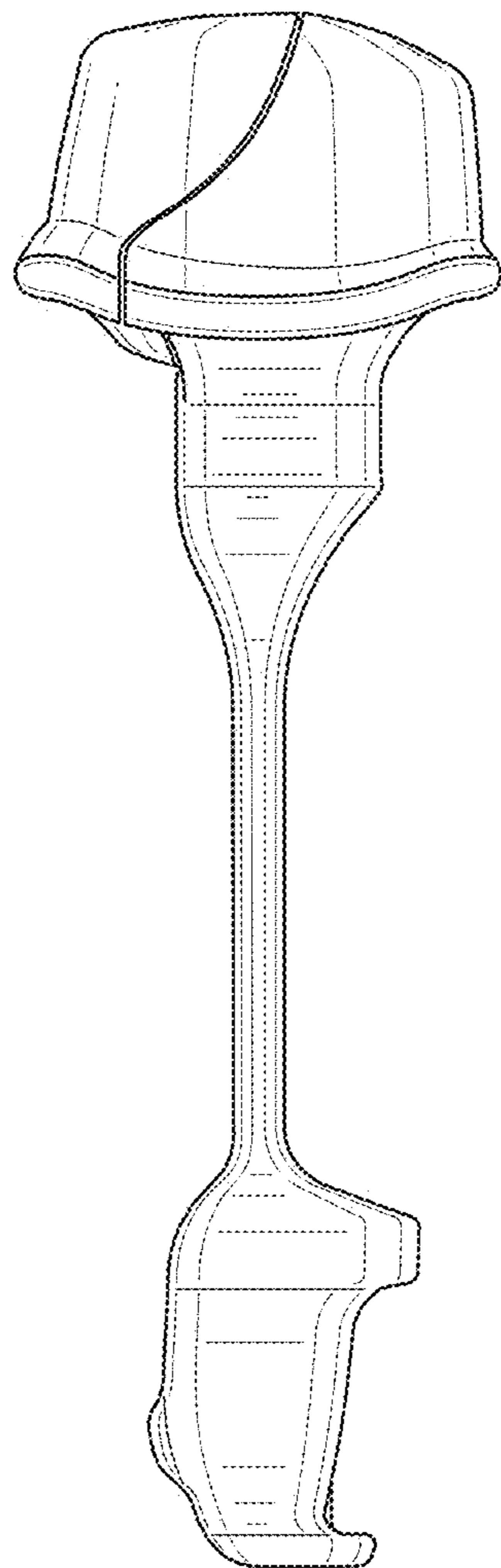


FIG. 4

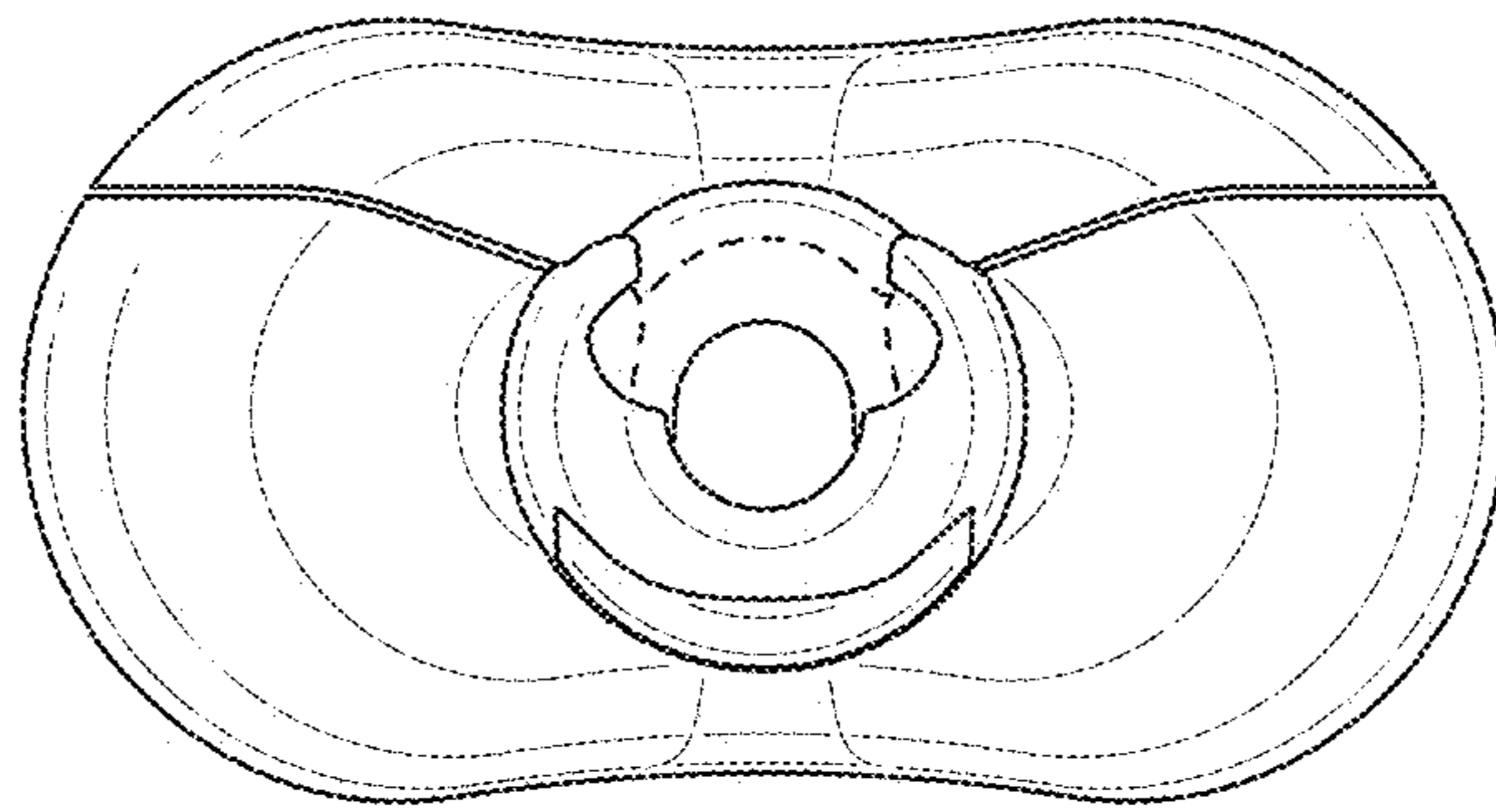


FIG. 5

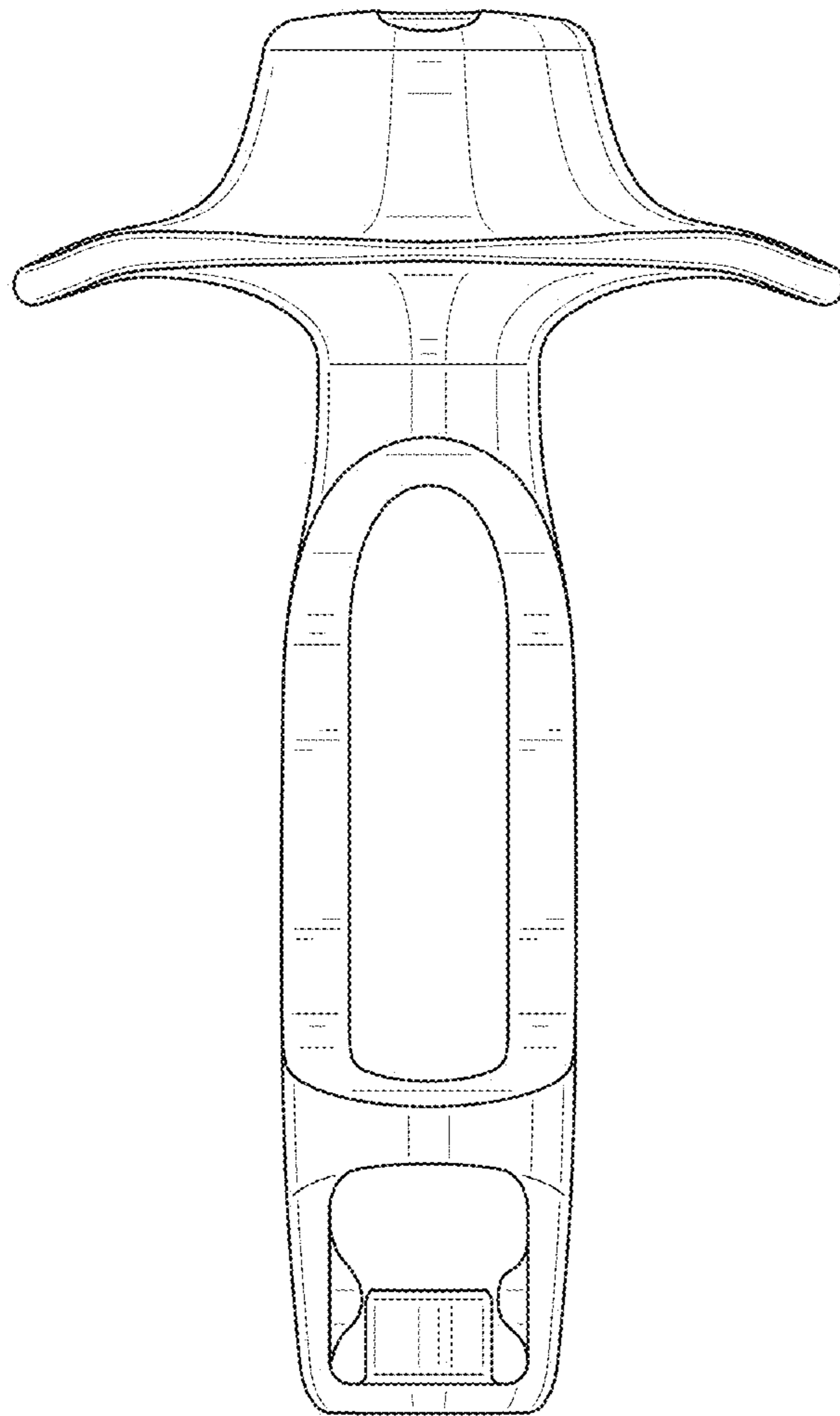


FIG. 6

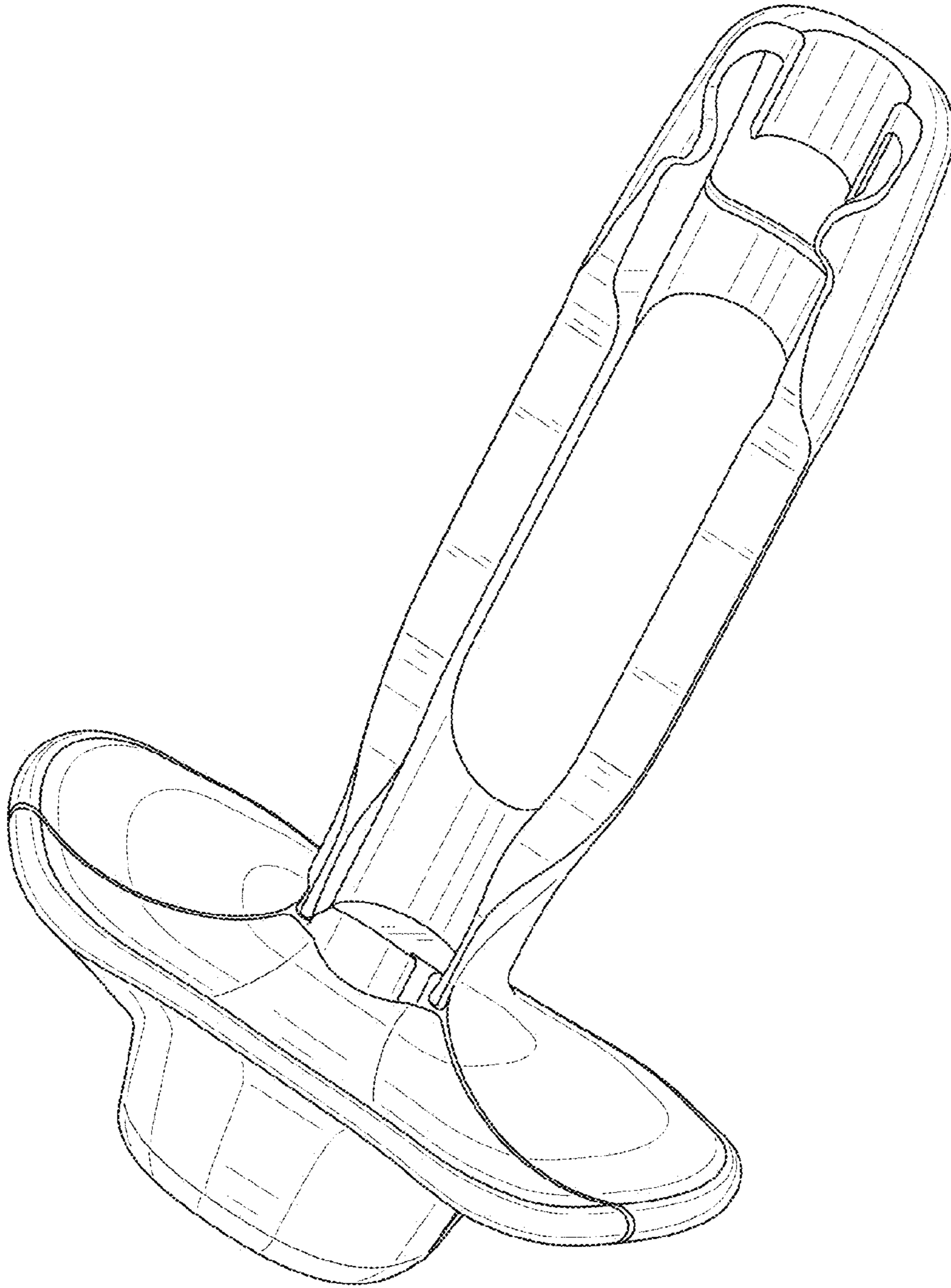


FIG. 7

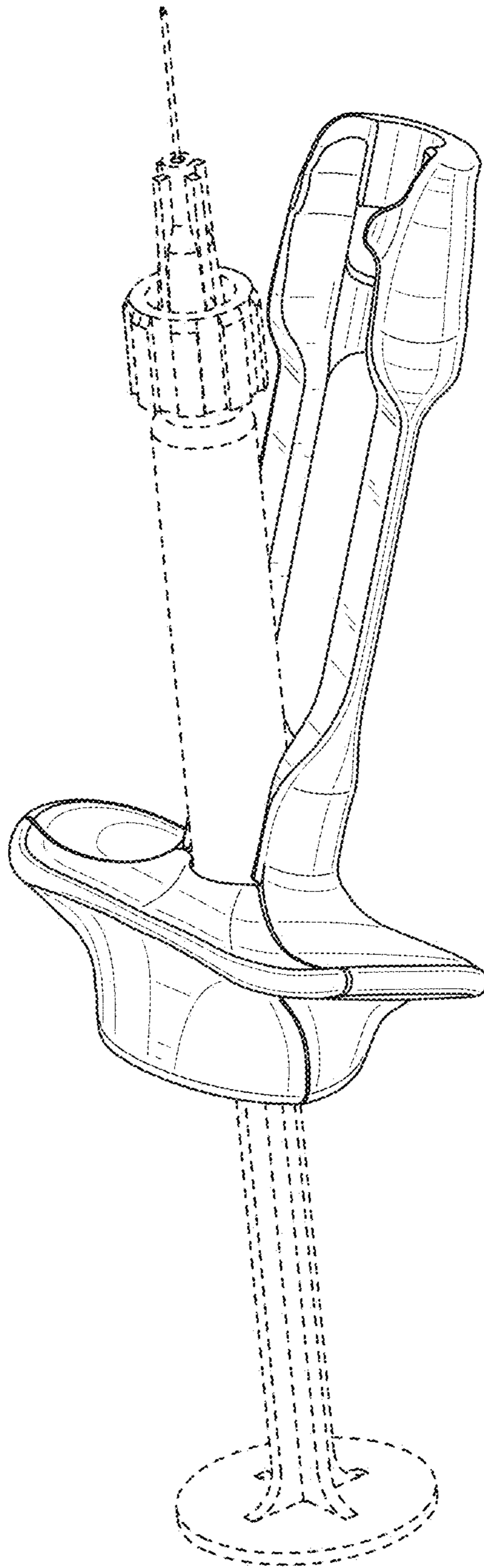


FIG. 8