



US00D702834S

(12) **United States Design Patent**
Norton et al.

(10) **Patent No.:** **US D702,834 S**
(45) **Date of Patent:** **** Apr. 15, 2014**

(54) **CARTRIDGE FOR USE IN INJECTION DEVICE**

(75) Inventors: **Paul H. Norton**, Trumbauersville, PA (US); **Lauren Shafer Burgess**, Exton, PA (US); **Oz Cabiri**, Macabim-Reut (IL)

(73) Assignee: **MEDIMOP Medical Projects Ltd.**, Ra'anana (IL)

(**) Term: **14 Years**

(21) Appl. No.: **29/387,944**

(22) Filed: **Mar. 22, 2011**

(51) **LOC (10) Cl.** **24-02**

(52) **U.S. Cl.**
USPC **D24/130**

(58) **Field of Classification Search**
USPC D24/112-114, 127-131, 133, 186, 152, D24/176, 180, 182; 433/91, 316, 96; 606/181, 185, 167; 604/232, 187, 158, 604/164.08, 192, 263, 163, 181, 184, 198, 604/227; 600/101, 139, 143; 128/200.24, 128/207.14, 207.15
See application file for complete search history.

(56) **References Cited**

U.S. PATENT DOCUMENTS

1,795,630 A	3/1931	Wilson	
3,212,685 A	10/1965	Swan et al.	
3,705,582 A *	12/1972	Stumpf et al.	604/506
3,794,028 A	2/1974	Mueller et al.	
3,834,387 A *	9/1974	Brown	604/125
4,195,636 A	4/1980	Behnke	
4,300,554 A	11/1981	Hessberg et al.	
4,403,987 A	9/1983	Gottinger	
4,435,173 A	3/1984	Siposs et al.	
4,599,082 A	7/1986	Grimard	
4,850,966 A *	7/1989	Grau et al.	604/82
4,867,743 A	9/1989	Vaillancourt	

4,886,499 A	12/1989	Cirelli et al.	
4,929,241 A	5/1990	Kulli	
5,109,850 A	5/1992	Blanco et al.	
5,190,521 A	3/1993	Hubbard et al.	
5,246,670 A *	9/1993	Haber et al.	604/187
5,300,045 A	4/1994	Plassche, Jr.	
5,366,498 A	11/1994	Brannan et al.	

(Continued)

FOREIGN PATENT DOCUMENTS

JP	H07-194701 A	8/1995
JP	2002-505601 A	2/2002

(Continued)

OTHER PUBLICATIONS

U.S. Appl. No. 13/643,470 by Alon, filed Oct. 25, 2012.

(Continued)

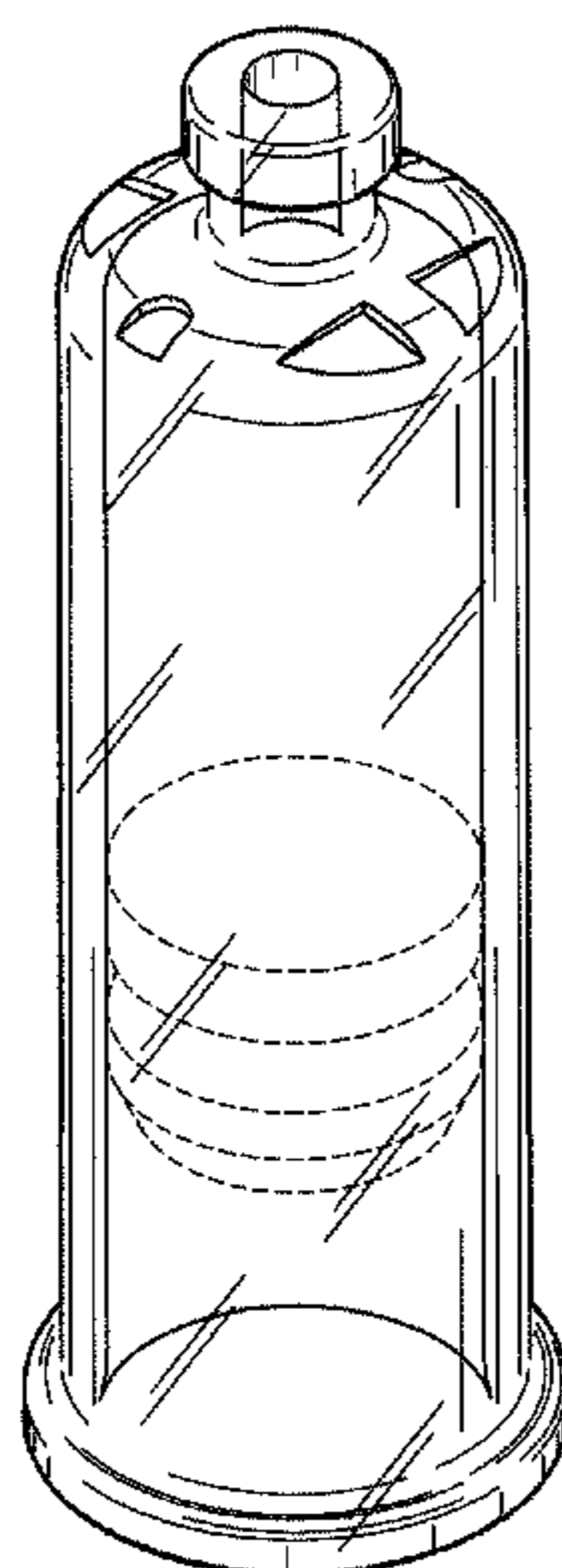
Primary Examiner — David Muller
(74) *Attorney, Agent, or Firm* — Panitch Schwarze Belisario & Nadel LLP

(57) **CLAIM**
The ornamental design for a cartridge for use in an injection device, substantially as shown and described.

DESCRIPTION

FIG. 1 is a top perspective view of a cartridge for use in an injection device in accordance with our new design; FIG. 2 is a front elevation view thereof; FIG. 3 is right elevation view thereof; FIG. 4 is a rear elevation view thereof; FIG. 5 is a left elevation view thereof; FIG. 6 is a top plan view thereof; and, FIG. 7 is a bottom plan view thereof. The features shown in broken lines depict environmental structure only and form no part of the claimed design.

1 Claim, 4 Drawing Sheets



(56)

References Cited

U.S. PATENT DOCUMENTS

5,383,865	A	1/1995	Michel	7,303,549	B2	12/2007	Flaherty et al.
D356,150	S *	3/1995	Duggan et al. D24/112	7,364,570	B2	4/2008	Gerondale et al.
5,478,315	A	12/1995	Brothers et al.	7,390,314	B2	6/2008	Stutz, Jr. et al.
5,482,446	A	1/1996	Williamson et al.	7,407,493	B2	8/2008	Cane'
5,505,709	A	4/1996	Funderburk et al.	7,418,880	B1 *	9/2008	Smith D24/114
5,593,390	A	1/1997	Castellano et al.	D578,210	S *	10/2008	Muta et al. D24/114
5,616,132	A	4/1997	Newman	7,455,663	B2	11/2008	Bikovsky
5,643,218	A	7/1997	Lynn et al.	7,468,055	B2 *	12/2008	Prais et al. 604/272
5,645,955	A	7/1997	Maglica	7,530,964	B2	5/2009	Lavi et al.
5,662,678	A	9/1997	Macklin	7,565,208	B2	7/2009	Harris et al.
5,690,618	A	11/1997	Smith et al.	7,569,050	B2	8/2009	Moberg et al.
5,697,916	A *	12/1997	Schruga 604/187	7,585,287	B2	9/2009	Bresina et al.
5,725,500	A *	3/1998	Micheler 604/82	7,588,559	B2	9/2009	Aravena et al.
5,766,186	A	6/1998	Faraz et al.	7,628,770	B2	12/2009	Ethelfeld
5,795,675	A	8/1998	Maglica	7,637,891	B2	12/2009	Wall
5,800,420	A	9/1998	Gross et al.	7,641,649	B2	1/2010	Moberg et al.
5,807,375	A	9/1998	Gross et al.	7,678,079	B2	3/2010	Shermer et al.
5,810,167	A *	9/1998	Fujii 604/192	7,686,787	B2	3/2010	Moberg et al.
5,814,020	A	9/1998	Gross	7,699,829	B2	4/2010	Harris et al.
5,836,920	A	11/1998	Robertson	7,713,238	B2	5/2010	Mernoe
5,848,991	A	12/1998	Gross et al.	7,744,589	B2	6/2010	Mounce et al.
5,851,197	A	12/1998	Marano et al.	7,749,194	B2	7/2010	Edwards et al.
5,858,001	A	1/1999	Tsals et al.	7,806,868	B2	10/2010	De Polo et al.
5,931,814	A	8/1999	Alex et al.	7,854,723	B2	12/2010	Hwang et al.
5,948,392	A	9/1999	Haslwanter et al.	7,967,795	B1	6/2011	Cabiri
5,954,697	A	9/1999	Srisathapat et al.	8,057,431	B2	11/2011	Woehr et al.
5,957,895	A	9/1999	Sage et al.	8,086,306	B2	12/2011	Katzman et al.
5,968,011	A	10/1999	Larsen et al.	8,323,250	B2	12/2012	Chong et al.
6,074,369	A	6/2000	Sage et al.	2001/0025168	A1	9/2001	Gross et al.
6,186,982	B1	2/2001	Gross et al.	2001/0041869	A1	11/2001	Causey et al.
6,200,289	B1	3/2001	Hochman et al.	2002/0010423	A1	1/2002	Gross et al.
6,200,296	B1	3/2001	Dibiasi et al.	2002/0040208	A1	4/2002	Flaherty et al.
6,224,569	B1	5/2001	Brimhall	2002/0055711	A1	5/2002	Lavi et al.
6,277,098	B1	8/2001	Klitmose et al.	2002/0107487	A1	8/2002	Preuthun
6,277,099	B1	8/2001	Strowe et al.	2002/0123740	A1	9/2002	Flaherty et al.
6,287,283	B1	9/2001	Ljunggreen et al.	2002/0169215	A1	11/2002	Meng
6,293,925	B1	9/2001	Safabash et al.	2003/0009133	A1	1/2003	Ramey
6,336,729	B1	1/2002	Pavelle et al.	2003/0135159	A1	7/2003	Daily et al.
6,391,005	B1	5/2002	Lum et al.	2003/0171717	A1	9/2003	Farrugia et al.
D461,243	S *	8/2002	Niedospial, Jr. D24/130	2004/0010207	A1	1/2004	Flaherty et al.
6,485,461	B1	11/2002	Mason et al.	2004/0092873	A1	5/2004	Moberg
6,500,150	B1	12/2002	Gross et al.	2004/0127857	A1	7/2004	Shemesh et al.
6,503,231	B1	1/2003	Prausnitz et al.	2004/0186419	A1	9/2004	Cho
6,517,517	B1	2/2003	Farrugia et al.	2004/0260233	A1	12/2004	Garibotto et al.
6,558,351	B1	5/2003	Steil et al.	2005/0033234	A1	2/2005	Sadowski et al.
6,589,229	B1	7/2003	Connelly et al.	2005/0065466	A1	3/2005	Vedrine
6,595,956	B1	7/2003	Gross et al.	2005/0065472	A1	3/2005	Cindrigh et al.
6,645,181	B1	11/2003	Lavi et al.	2005/0171512	A1	8/2005	Flaherty
6,652,482	B2	11/2003	Hochman	2005/0197650	A1	9/2005	Sugimoto et al.
6,656,158	B2	12/2003	Mahoney et al.	2005/0203461	A1	9/2005	Flaherty et al.
6,656,159	B2	12/2003	Flaherty	2005/0238507	A1	10/2005	DiIanni et al.
6,689,118	B2	2/2004	Alchas et al.	2005/0283114	A1	12/2005	Bresina et al.
6,699,218	B2	3/2004	Flaherty et al.	2006/0095014	A1	5/2006	Ethelfeld
6,743,211	B1	6/2004	Prausnitz et al.	2006/0122577	A1	6/2006	Poulsen et al.
6,749,587	B2	6/2004	Flaherty	2006/0173406	A1	8/2006	Hayes et al.
6,752,787	B1	6/2004	Causey, III et al.	2006/0173439	A1	8/2006	Thorne et al.
6,768,425	B2	7/2004	Flaherty et al.	2006/0211982	A1	9/2006	Prestrelski et al.
6,786,890	B2	9/2004	Preuthun et al.	2006/0229569	A1	10/2006	Lavi et al.
6,800,071	B1	10/2004	McConnell et al.	2006/0264889	A1	11/2006	Moberg et al.
6,805,687	B2	10/2004	Dextrateur et al.	2006/0264890	A1	11/2006	Moberg et al.
6,824,529	B2	11/2004	Gross et al.	2006/0264894	A1	11/2006	Moberg et al.
6,843,782	B2	1/2005	Gross et al.	2006/0283465	A1	12/2006	Nickel et al.
6,854,620	B2	2/2005	Ramey	2006/0293722	A1	12/2006	Slatkine et al.
6,905,298	B1	6/2005	Haring	2007/0021733	A1	1/2007	Hansen et al.
6,960,192	B1	11/2005	Flaherty et al.	2007/0049865	A1	3/2007	Radmer et al.
7,001,360	B2	2/2006	Veasey et al.	2007/0073228	A1	3/2007	Mernoe et al.
7,060,054	B2	6/2006	Nissels	2007/0118405	A1	5/2007	Campbell et al.
7,060,059	B2	6/2006	Keith et al.	2007/0167912	A1	7/2007	Causey et al.
7,128,727	B2	10/2006	Flaherty et al.	2007/0185449	A1	8/2007	Mernoe
7,144,384	B2	12/2006	Gorman et al.	2007/0197968	A1	8/2007	Pongpairochana et al.
7,225,694	B2	6/2007	Said	2007/0203454	A1	8/2007	Shermer et al.
7,247,149	B2	7/2007	Beyerlein	2007/0233038	A1	10/2007	Pruitt et al.
7,250,037	B2	7/2007	Shermer et al.	2008/0021439	A1	1/2008	Brittingham et al.
RE39,923	E *	11/2007	Blom 128/207.29	2008/0033367	A1	2/2008	Haury et al.
7,291,159	B2	11/2007	Schmelzeisen-Redeker et al.	2008/0033369	A1	2/2008	Kohlbrenner et al.
				2008/0033393	A1	2/2008	Edwards et al.
				2008/0051711	A1	2/2008	Mounce et al.
				2008/0051730	A1	2/2008	Bikovsky
				2008/0059133	A1	3/2008	Edwards et al.

(56)

References Cited

U.S. PATENT DOCUMENTS

2008/0097381 A1 4/2008 Moberg et al.
 2008/0108951 A1 5/2008 Jerde et al.
 2008/0140006 A1 6/2008 Eskuri et al.
 2008/0140018 A1 6/2008 Enggaard et al.
 2008/0188813 A1 8/2008 Miller et al.
 2008/0208138 A1 8/2008 Lim et al.
 2008/0215006 A1 9/2008 Thorkild
 2008/0262436 A1 10/2008 Olson
 2008/0269723 A1 10/2008 Mastrototaro et al.
 2008/0294143 A1 11/2008 Tanaka et al.
 2008/0306449 A1 12/2008 Kristensen et al.
 2008/0312601 A1 12/2008 Cane
 2008/0319416 A1 12/2008 Yodfat et al.
 2009/0041805 A1 2/2009 Walker
 2009/0048347 A1 2/2009 Cohen et al.
 2009/0054750 A1 2/2009 Jennewine
 2009/0069784 A1 3/2009 Estes et al.
 2009/0088731 A1 4/2009 Campbell et al.
 2009/0093792 A1 4/2009 Gross et al.
 2009/0093793 A1 4/2009 Gross et al.
 2009/0105650 A1 4/2009 Wiegel et al.
 2009/0124977 A1 5/2009 Jensen
 2009/0143735 A1 6/2009 De Polo et al.
 2009/0149830 A1 6/2009 Spector
 2009/0182277 A1 7/2009 Carter
 2009/0234319 A1 9/2009 Marksteiner
 2009/0240240 A1 9/2009 Hines et al.
 2009/0253973 A1 10/2009 Bashan et al.
 2009/0259176 A1 10/2009 Yairi
 2009/0326509 A1 12/2009 Muse et al.
 2010/0030198 A1 2/2010 Beebe et al.
 2010/0057057 A1 3/2010 Hayter et al.
 2010/0076412 A1 3/2010 Rush et al.
 2010/0094255 A1 4/2010 Nycz et al.
 2010/0100076 A1 4/2010 Rush et al.
 2010/0100077 A1 4/2010 Rush et al.
 2010/0106098 A1 4/2010 Atterbury et al.
 2010/0121314 A1 5/2010 Iobbi
 2010/0145303 A1 6/2010 Yodfat et al.
 2010/0145305 A1 6/2010 Alon
 2010/0162548 A1 7/2010 Leidig
 2010/0168683 A1 7/2010 Cabiri
 2010/0204657 A1 8/2010 Yodfat et al.
 2010/0234767 A1 9/2010 Sarstedt
 2010/0234830 A1 9/2010 Straessler et al.
 2010/0274112 A1 10/2010 Hoss et al.
 2010/0274192 A1 10/2010 Mernoe
 2010/0280499 A1 11/2010 Yodfat et al.
 2011/0125056 A1 5/2011 Merchant
 2011/0172745 A1 7/2011 Na et al.
 2011/0282296 A1 11/2011 Harms et al.
 2012/0035546 A1 2/2012 Cabiri

FOREIGN PATENT DOCUMENTS

JP 2002-528676 A 9/2002
 JP 2003-501157 A 1/2003
 JP 2003-527138 A 9/2003
 JP 2003-534061 A 11/2003
 JP 2004-512100 A 4/2004
 JP 2007-509661 A 4/2007
 JP 2008-534131 A 8/2008
 WO 9307922 A1 4/1993
 WO 9407553 A1 4/1994
 WO 9609083 A1 3/1996
 WO 9700091 A1 1/1997
 WO 9857683 A1 12/1998
 WO 0025844 A1 5/2000
 WO 0187384 A1 11/2001
 WO 0189607 A2 11/2001
 WO 0189613 A1 11/2001
 WO 0202165 A2 1/2002
 WO 0234315 A1 5/2002
 WO 2004032990 A2 4/2004

WO 2005037350 A2 4/2005
 WO 2006037434 A1 4/2006
 WO 2006069380 A1 6/2006
 WO 2006102676 A1 9/2006
 WO 2006104806 A2 10/2006
 WO 2007051563 A1 5/2007
 WO 2008001377 A2 1/2008
 WO 2008014908 A1 2/2008
 WO 2008057976 A2 5/2008
 WO 2008072229 A2 6/2008
 WO 2008076459 A1 6/2008
 WO 2009044401 4/2009
 WO 2010078227 A1 7/2010
 WO 2011075105 A1 6/2011
 WO 2011090955 A1 7/2011
 WO 2011156373 A1 12/2011
 WO 2012040528 A1 3/2012

OTHER PUBLICATIONS

U.S. Appl. No. 13/733,516 by Cabiri, filed Jan. 3, 2013.
 U.S. Appl. No. 13/873,335 by Filman, filed Apr. 30, 2013.
 U.S. Appl. No. 13/892,905 by Cabiri, filed May 13, 2013.
 U.S. Appl. No. 13/874,121 by Degtiar, filed Apr. 30, 2013.
 U.S. Appl. No. 13/874,085 by Cabiri, filed Apr. 30, 2013.
 U.S. Appl. No. 13/874,017 by Cabiri, filed Apr. 30, 2013.
 English translation of an Office Action issued Jan. 30, 2013 in CN Application No. 200880117084.X.
 Int'l Preliminary Report on Patentability issued Sep. 1, 2011 in Int'l Application No. PCT/US2010/048556.
 Office Action issued Sep. 6, 2011 in U.S. Appl. No. 12/345,818.
 Office Action issued Jan. 8, 2013 in JP Application No. 2010-527595.
 Int'l Preliminary Report on Patentability issued Feb. 7, 2013 in Int'l Application No. PCT/US2011/021604.
 Int'l Preliminary Report on Patentability issued Feb. 7, 2013 in Int'l Application No. PCT/US2011/021605.
 U.S. Appl. No. 13/521,181 by Cabiri, filed Jul. 9, 2012.
 U.S. Appl. No. 13/521,167 by Cabiri, filed Jul. 9, 2012.
 Office Action issued May 16, 2012 in U.S. Appl. No. 12/615,828.
 Office Action issued Jul. 2, 2012 in U.S. Appl. No. 13/272,555.
 Office Action issued May 3, 2012 in CN Application No. 200880117084.X.
 U.S. Appl. No. 13/472,112 by Cabiri, filed May 15, 2012.
 U.S. Appl. No. 13/429,840 by Cabiri, filed Mar. 26, 2012.
 Copaxonea, Manufactured by Teva Pharmaceutical Industries Ltd.
 Daikyo Crystal Zenitha polymer, Manufactured by Daikyo Seiko, Ltd.
 Int'l Preliminary Report on Patentability issued Apr. 7, 2010 in Int'l Application No. PCT/IL2008/001312; Written Opinion.
 Int'l Search Report issued Jan. 12, 2011 in Int'l Application No. PCT/US2010/048556; Written Opinion.
 Int'l Search Report issued Apr. 26, 2010 in Int'l Application No. PCT/US2009/069552.
 Int'l Search Report issued May 13, 2009 in Int'l Application No. PCT/IL2008/001312.
 Office Action issued Apr. 5, 2010 in U.S. Appl. No. 12/244,666.
 Office Action issued Apr. 5, 2010 in U.S. Appl. No. 12/244,688.
 Office Action issued Sep. 2, 2010 in U.S. Appl. No. 12/244,688.
 Office Action issued Sep. 21, 2010 in U.S. Appl. No. 12/244,666.
 Office Action issued Sep. 30, 2010 in U.S. Appl. No. 12/689,250.
 U.S. Appl. No. 12/559,563, filed Sep. 15, 2009.
 U.S. Appl. No. 12/689,249, filed Jan. 19, 2010.
 U.S. Appl. No. 12/689,250, filed Jan. 19, 2010.
 U.S. Appl. No. 60/997,459, filed Oct. 2, 2007.
 Int'l Preliminary Report on Patentability issued Aug. 2, 2012 in Int'l Application No. PCT/US2011/021604.
 Int'l Search Report issued Jun. 17, 2011 in Int'l Application No. PCT/US2011/021604.
 Int'l Search Report issued Oct. 12, 2011 in Int'l Application No. PCT/US2011/021605.
 Office Action issued Oct. 28, 2011 in U.S. Appl. No. 12/615,828.
 Int'l Search Report issued Sep. 22, 2011 in Int'l Application No. PCT/IL11/00368; Written Opinion.

(56)

References Cited

OTHER PUBLICATIONS

International Preliminary Report on Patentability issued on Jul. 5, 2011 in International Application No. PCT/US2009/069552; Written Opinion.

Office Action issued Jul. 13, 2011 in U.S. Appl. No. 12/559,563.

Int'l Search Report and Written Opinion issued Jul. 26, 2013 in Int'l Application No. PCT/US2012/039465.

Int'l Search Report and Written Opinion issued Aug. 5, 2013 in Int'l Application No. PCT/US2013/033118.

U.S. Appl. No. 13/964,651 by Gross, filed Aug. 12, 2013.

Office Action issued Aug. 15, 2013 in CN Application No. 200880117084.X.

Office Action issued Oct. 9, 2013 in IL Application No. 208634.

Office Action issued Nov. 5, 2013 in JP Application No. 2010-527595.

Office Action issued Sep. 29, 2013 in CN Application No. 201080040968.7.

Office Action issued Nov. 4, 2013 in EP Application No. 11 709 234.6.

Office Action issued Feb. 21, 2012 in U.S. Appl. No. 12/689,249.

* cited by examiner

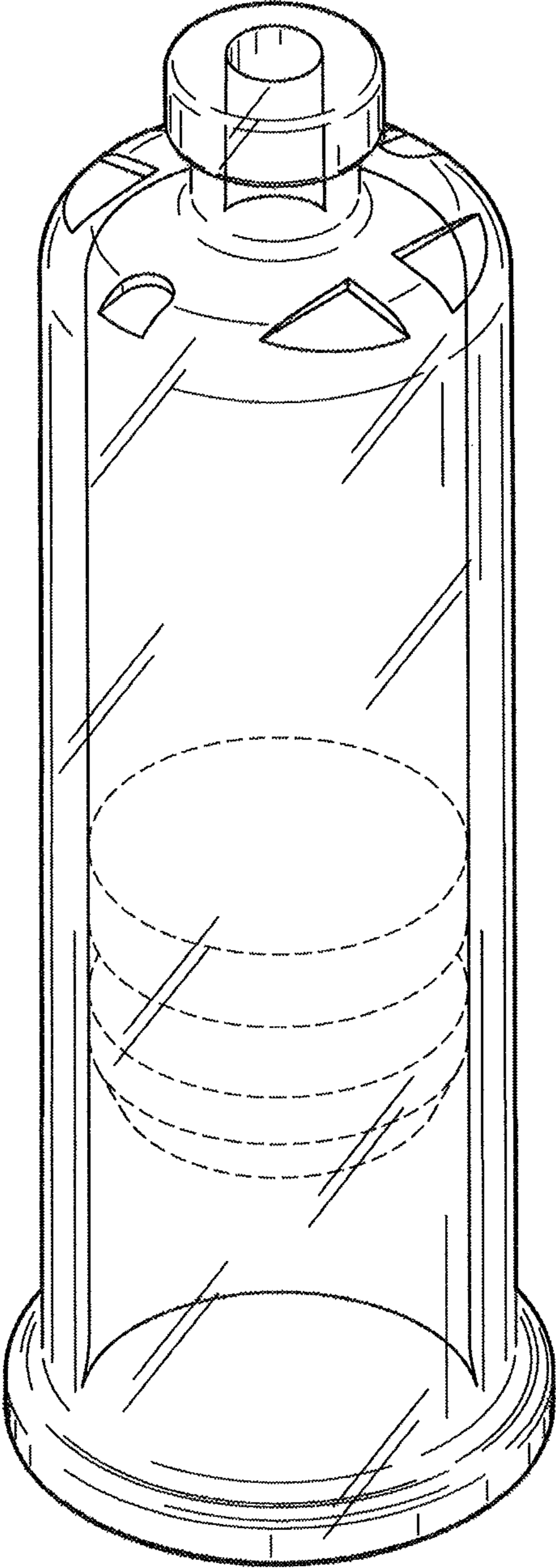


FIG. 1

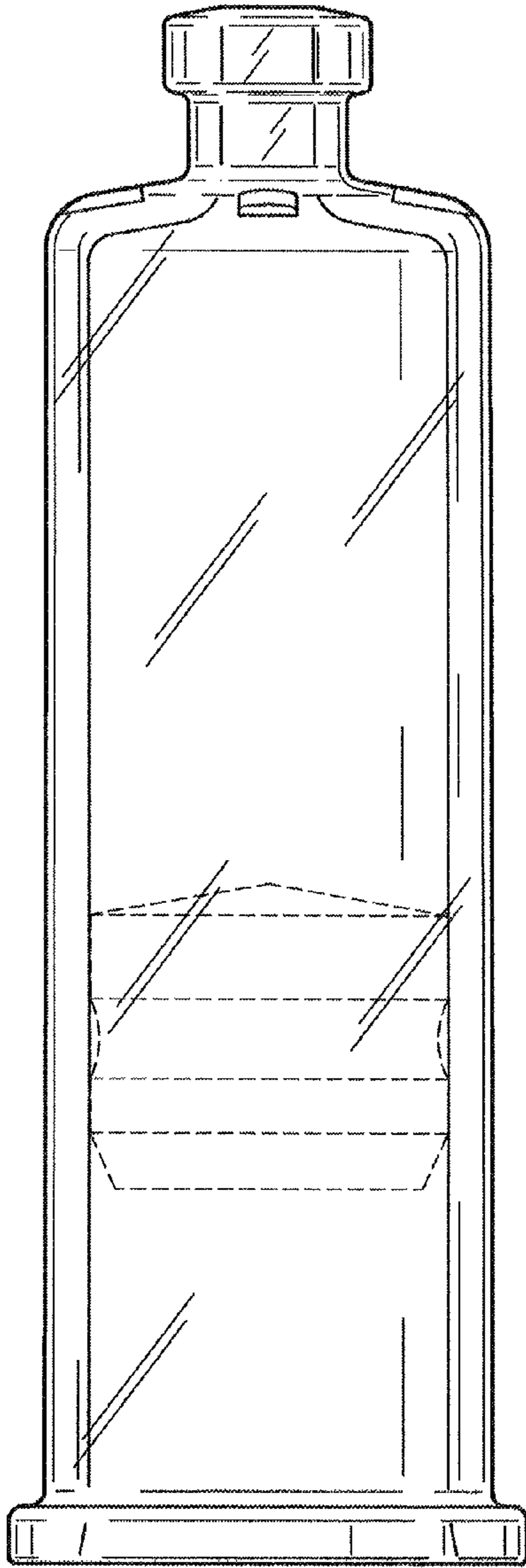


FIG. 2

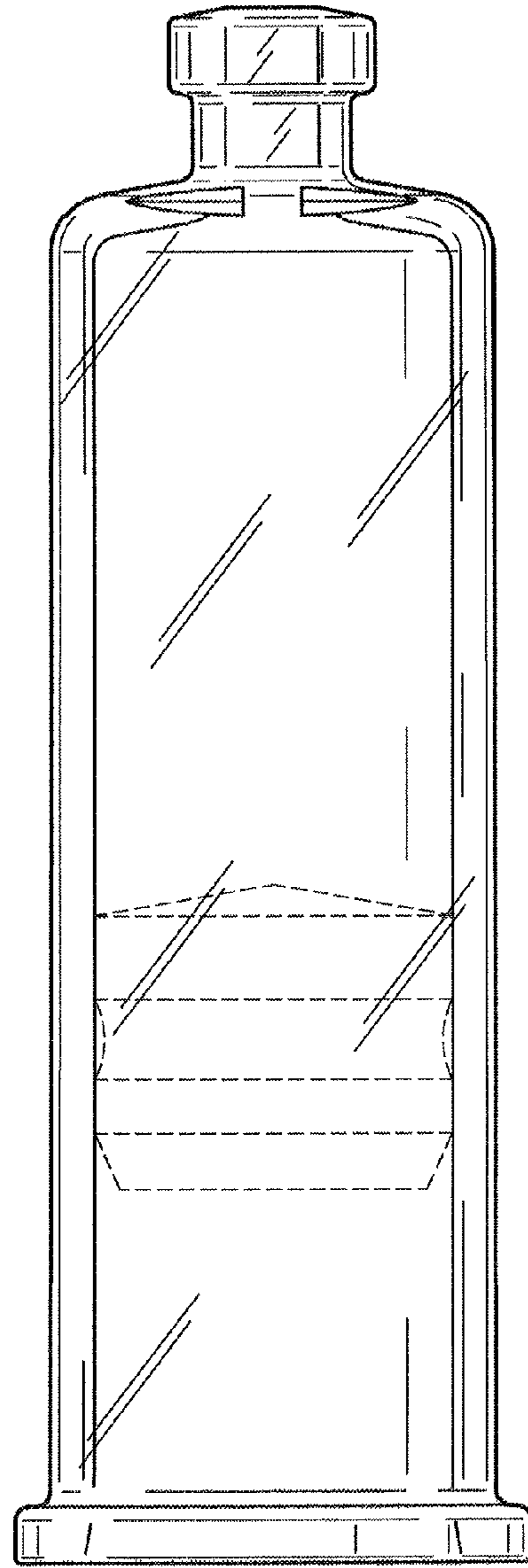


FIG. 3

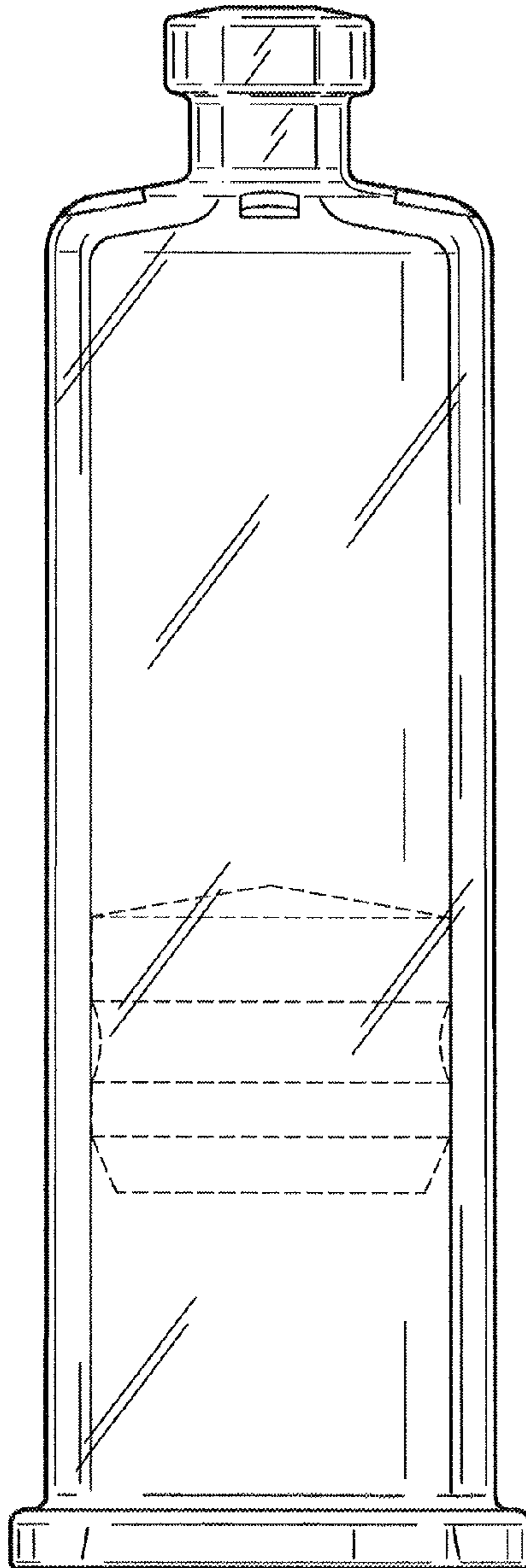


FIG. 4

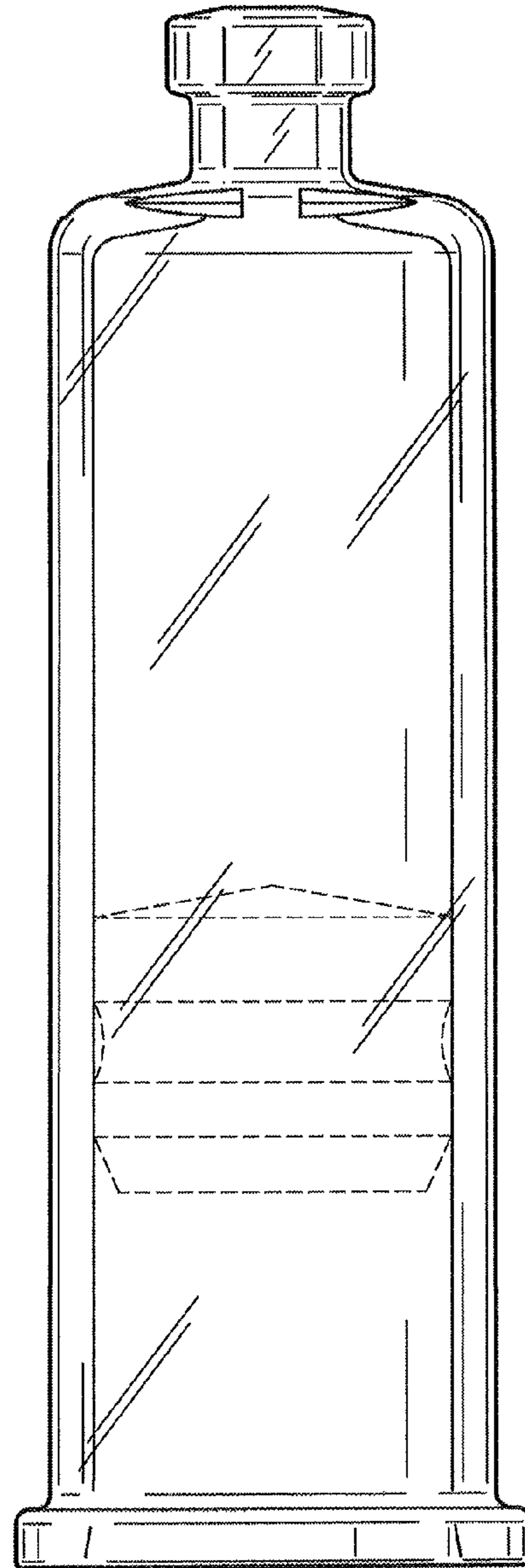


FIG. 5

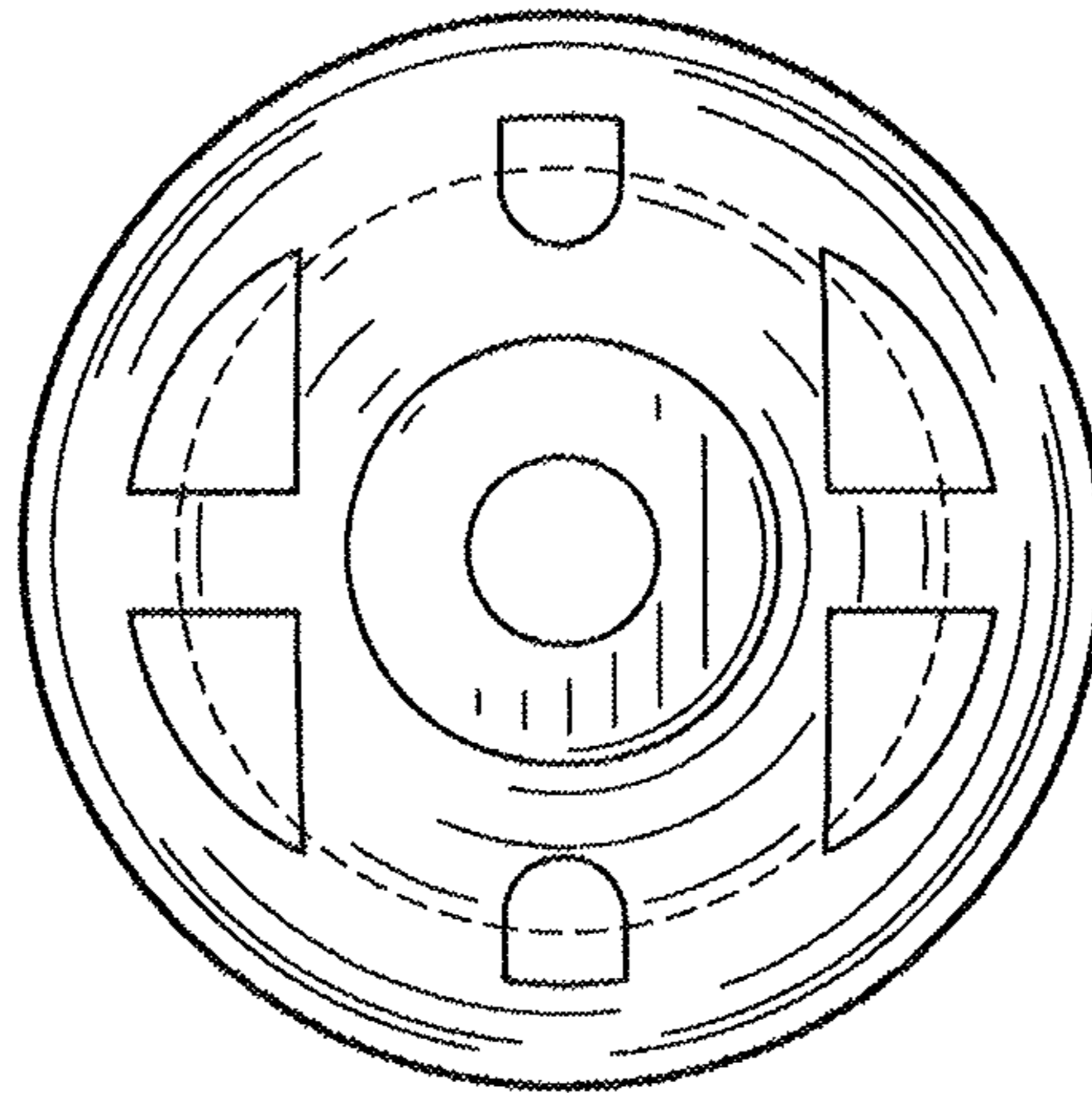


FIG. 6

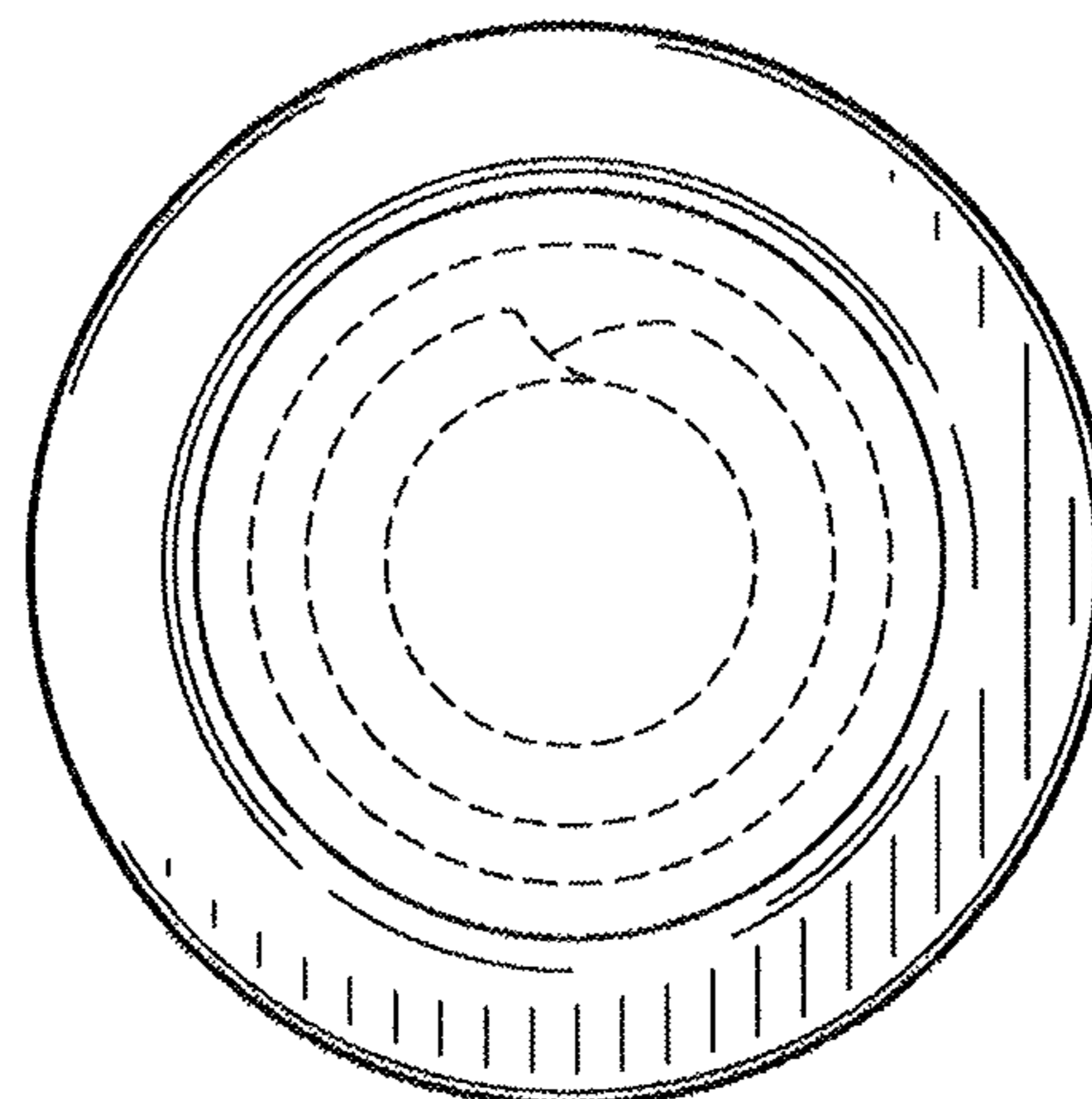


FIG. 7