



US00D702833S

(12) **United States Design Patent**  
**Cecchi**

(10) **Patent No.:** **US D702,833 S**

(45) **Date of Patent:** **\*\* Apr. 15, 2014**

(54) **IVF MICROTOOL HOLDER**

(71) Applicant: **Michael D. Cecchi**, Madison, CT (US)

(72) Inventor: **Michael D. Cecchi**, Madison, CT (US)

(73) Assignee: **Life Global Group LLC**, Guilford, CT (US)

(\*\*) Term: **14 Years**

(21) Appl. No.: **29/421,904**

(22) Filed: **Oct. 16, 2012**

(51) **LOC (10) Cl.** ..... **24-02**

(52) **U.S. Cl.**  
USPC ..... **D24/128**

(58) **Field of Classification Search**

USPC ..... D24/127-130, 112-114; 604/263, 264, 604/162, 268, 164.08, 174-180; 128/DIG. 26; D8/71, 354, 356, 355, D8/394; 294/86.4, 902; 248/689

See application file for complete search history.

(56) **References Cited**

**U.S. PATENT DOCUMENTS**

D323,390	S *	1/1992	Paine et al.	.....	D24/129
D325,694	S *	4/1992	Van Dyn Hoven et al.	....	D8/356
D411,882	S *	7/1999	Minasian	.....	D24/130
6,357,719	B1 *	3/2002	Yakovenko	.....	248/689
D469,179	S *	1/2003	Nakagami et al.	.....	D24/130
6,648,389	B2 *	11/2003	Frey et al.	.....	294/86.4
D485,356	S *	1/2004	Evans	.....	D24/128
D490,153	S *	5/2004	Montgomery et al.	.....	D24/147
D504,511	S *	4/2005	Schneider	.....	D24/130

D549,324	S *	8/2007	Fehling	.....	D24/127
7,377,189	B2 *	5/2008	Champseix et al.	.....	D24/128
7,461,882	B2 *	12/2008	Choi et al.	.....	294/86.4
8,585,109	B2 *	11/2013	Chen et al.	.....	294/86.4

\* cited by examiner

*Primary Examiner* — David G. Muller

(74) *Attorney, Agent, or Firm* — William W. Jones

(57) **CLAIM**

I claim the ornamental design for an IVF microtool holder, as shown and described.

**DESCRIPTION**

FIG. 1 is a first perspective view of the microtool holder of this invention showing a microtool in broken lines positioned in the holder;

FIG. 2 is a second perspective view of the holder of this invention as seen from the opposite side of FIG. 1;

FIG. 3 is a first side elevational view of the holder of this invention;

FIG. 4 is a second side elevational view of the holder of this invention as seen from the side opposite of FIG. 3;

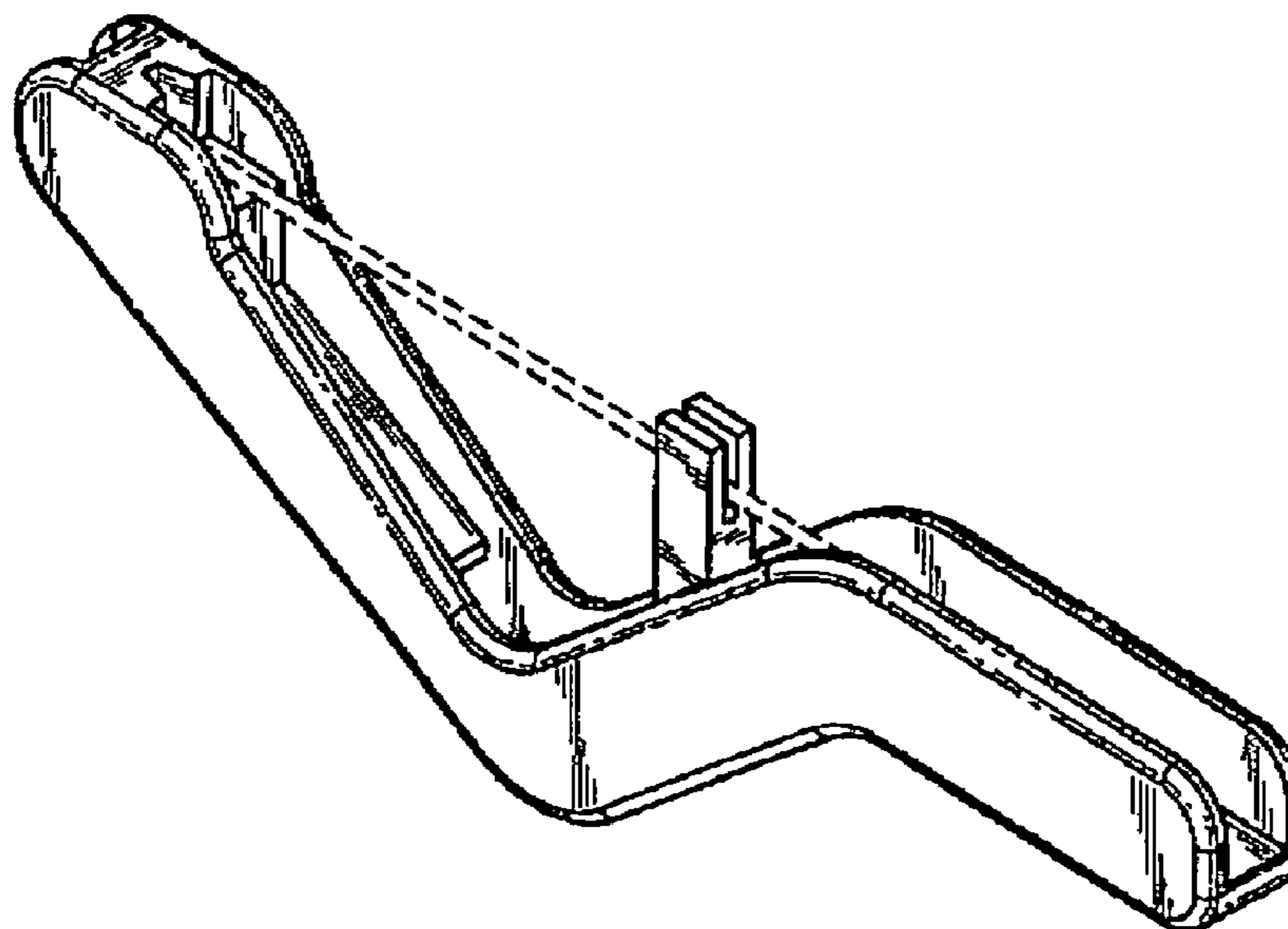
FIG. 5 is a bottom plan view of the holder of this invention;

FIG. 6 is a top plan view of the holder of this invention;

FIG. 7 is a back end view of the holder of this invention; and, FIG. 8 is a front end view of the holder of this invention.

The microtool shown in broken lines in FIG. 1 is not part of the microtool holder of this invention.

**1 Claim, 2 Drawing Sheets**



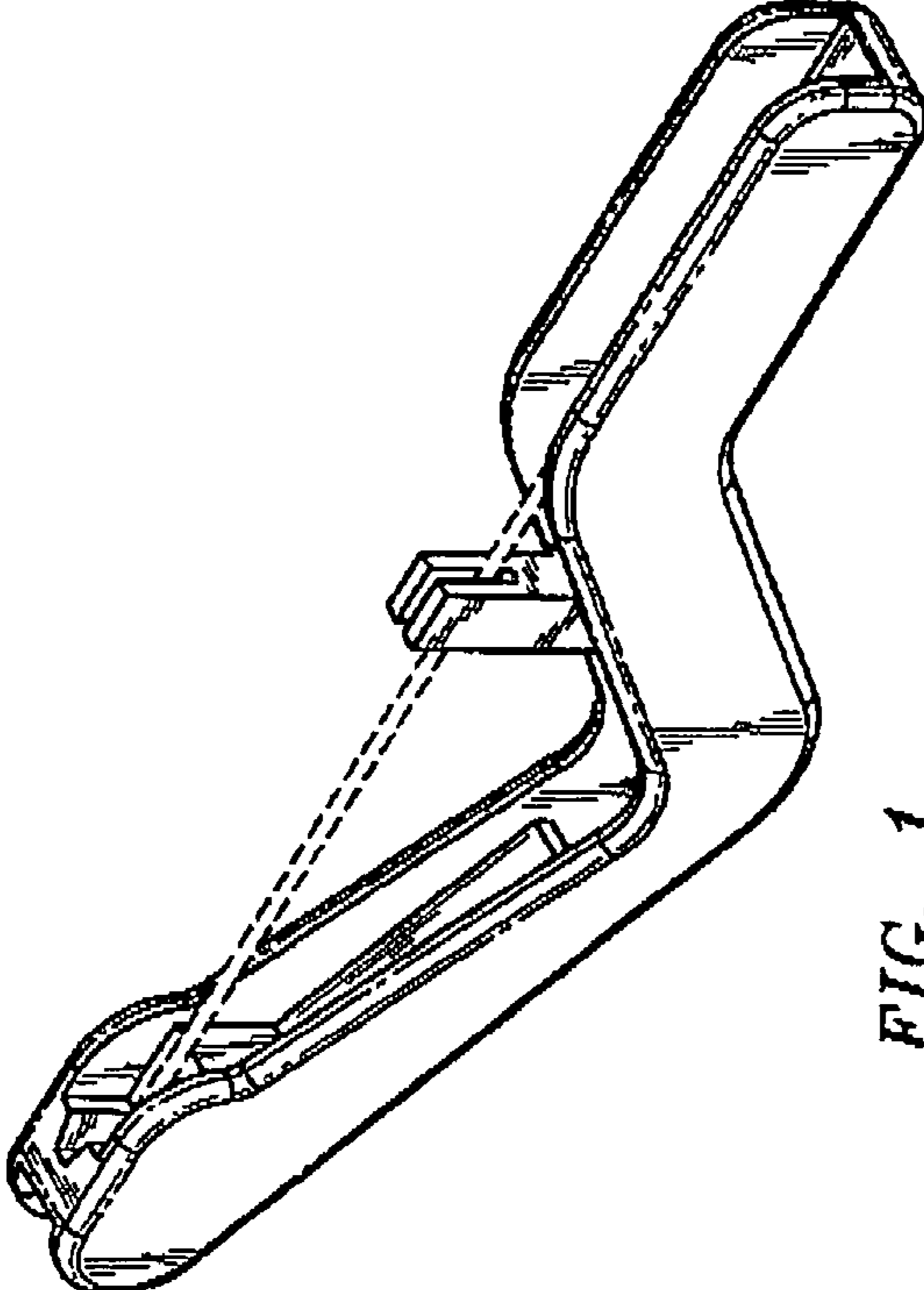


FIG. 1

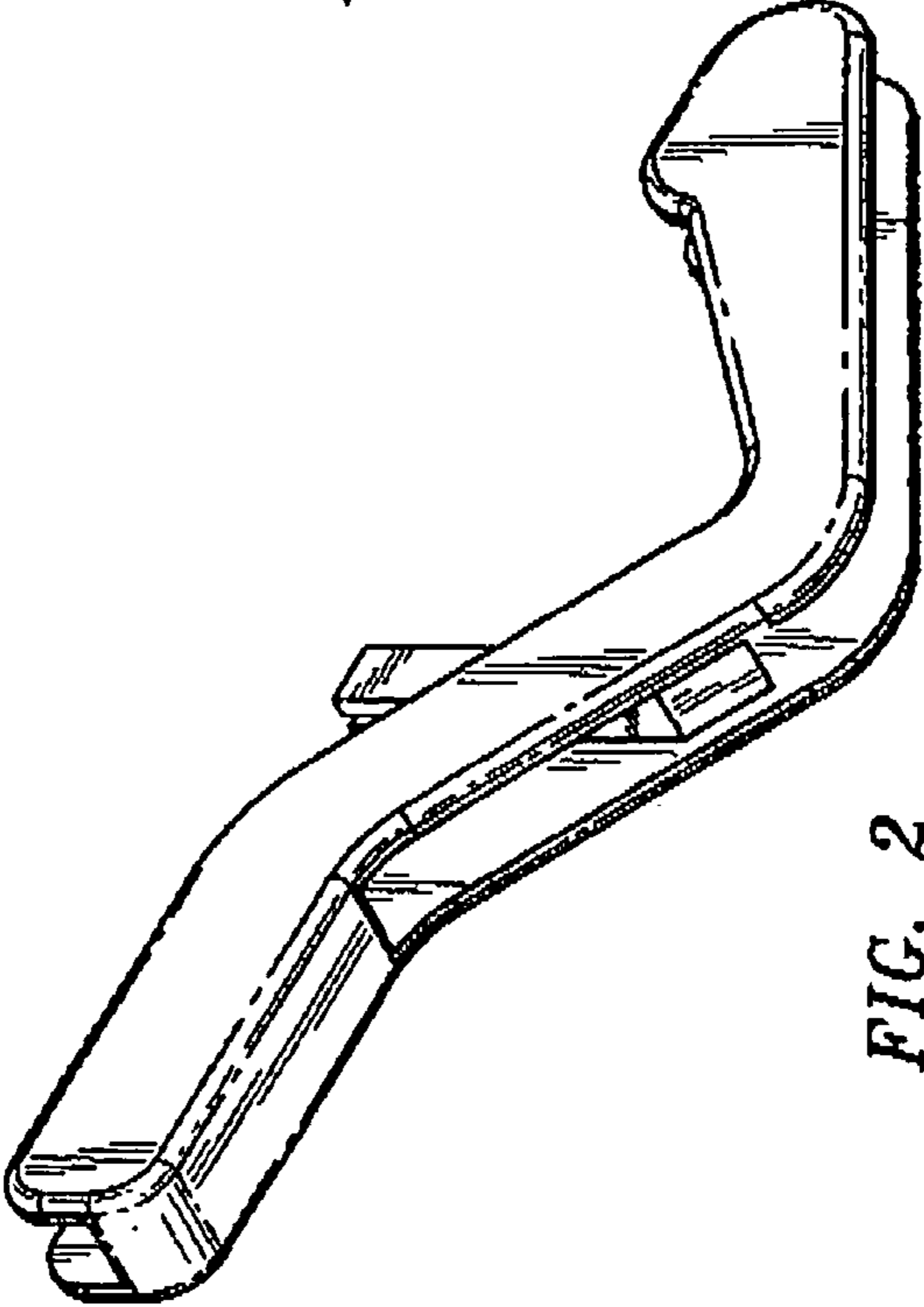


FIG. 2

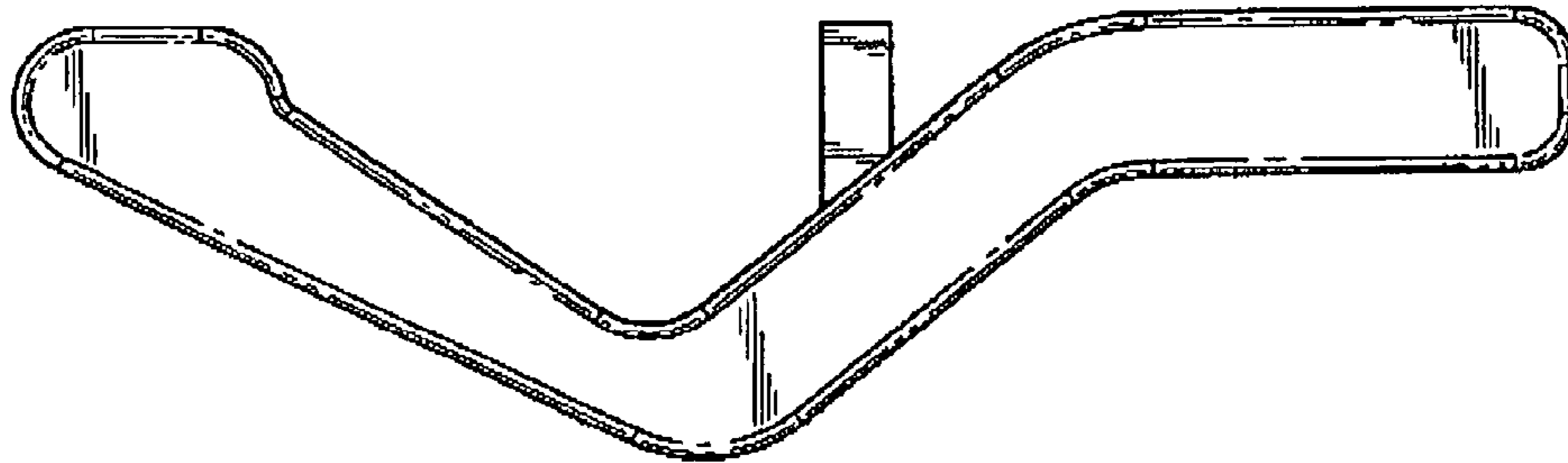


FIG. 3

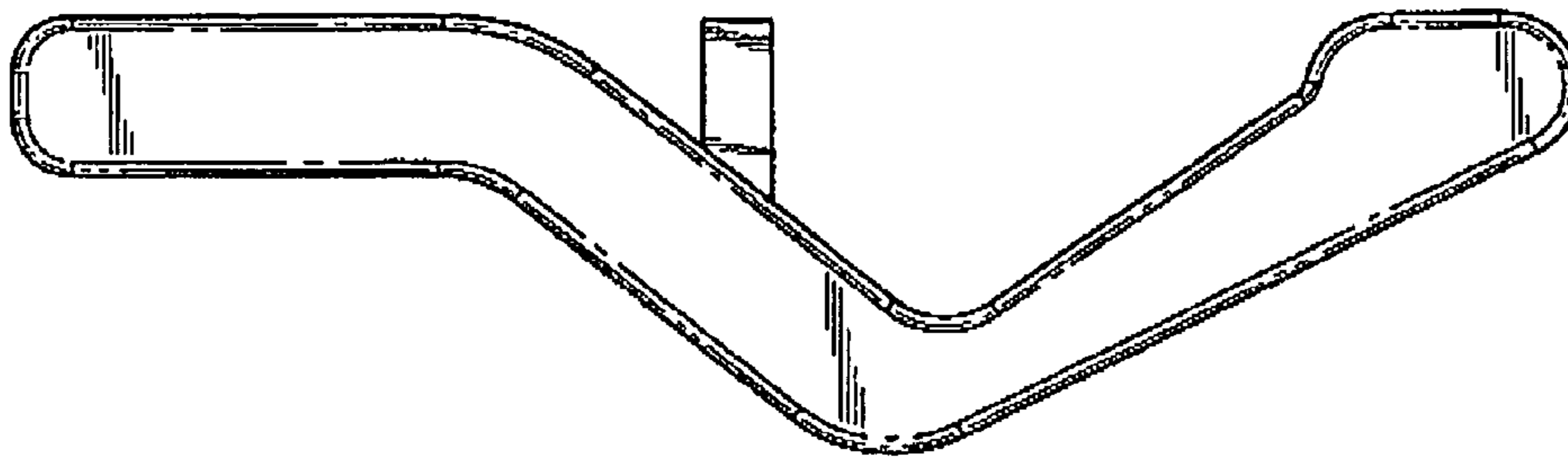


FIG. 4

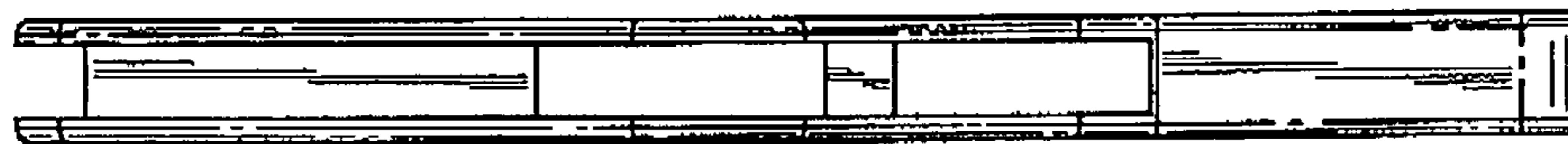


FIG. 5

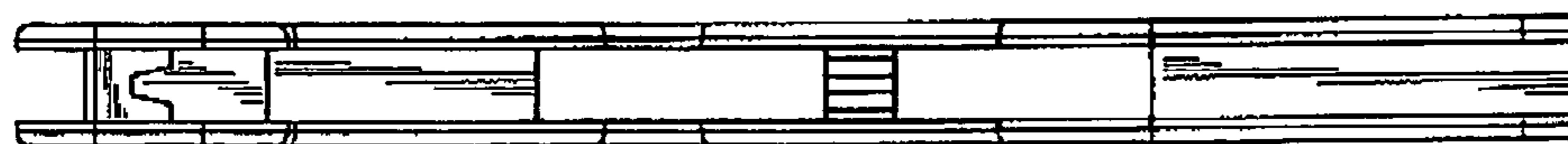


FIG. 6



FIG. 8



FIG. 7