



US00D702831S

(12) **United States Design Patent**
Lavoie

(10) **Patent No.:** **US D702,831 S**
(45) **Date of Patent:** **** Apr. 15, 2014**

(54) **GAS MASK WITH THERMAL SENSOR**

(71) Applicant: **BAE Systems Information and Electronic Systems Integration Inc.**, Nashua, NH (US)

(72) Inventor: **Barry Lavoie**, Lowell, MA (US)

(73) Assignee: **BAE Systems Information and Electronic Systems Integration Inc.**, Nashua, NH (US)

(**) Term: **14 Years**

(21) Appl. No.: **29/469,336**

(22) Filed: **Oct. 9, 2013**

Related U.S. Application Data

(63) Continuation-in-part of application No. 13/833,172, filed on Mar. 15, 2013.

(51) **LOC (10) Cl.** **29-02**

(52) **U.S. Cl.**
USPC **D24/110.2**

(58) **Field of Classification Search**
USPC D24/110.1-110.4; D29/103, 110;
128/204.18, 204.21, 204.23, 206.12,
128/206.23, 206.24, 206.28, 207.12;
348/164; 359/815; 600/537; 607/140
See application file for complete search history.

(56) **References Cited**

U.S. PATENT DOCUMENTS

- 3,343,535 A * 9/1967 Lytle et al. 128/206.24
- D249,368 S * 9/1978 Watkins, Jr. D24/110.2
- 4,653,879 A 3/1987 Filipovich
- 4,655,562 A 4/1987 Kreitzer et al.
- 5,089,914 A * 2/1992 Prescott 359/815
- 5,200,827 A 4/1993 Hanson et al.

- 5,379,140 A 1/1995 Michel et al.
- 5,581,271 A 12/1996 Kraemer
- D378,610 S * 3/1997 Reischel et al. D24/110.2

(Continued)

FOREIGN PATENT DOCUMENTS

JP 2011145578 1/2010

OTHER PUBLICATIONS

Survivair SCBA: Business & Industrial | eBay. (n.d.). Electronics, Cars, Fashion, Collectibles, Coupons and More Online Shopping | eBay. Retrieved Oct. 14, 2013, from <http://www.ebay.com/bhp/survivair-scba>.

(Continued)

Primary Examiner — Ian Simmons

Assistant Examiner — Richelle G Shelton

(74) *Attorney, Agent, or Firm* — Sand & Sebolt; Joseph A. Sebolt; Clay H. Cunningham

(57) **CLAIM**

The ornamental design for gas mask with thermal sensor, as shown and described.

DESCRIPTION

FIG. 1 is a front elevation view of the gas mask with thermal sensor of the present invention.

FIG. 2 is a left side elevation view of the gas mask with thermal sensor.

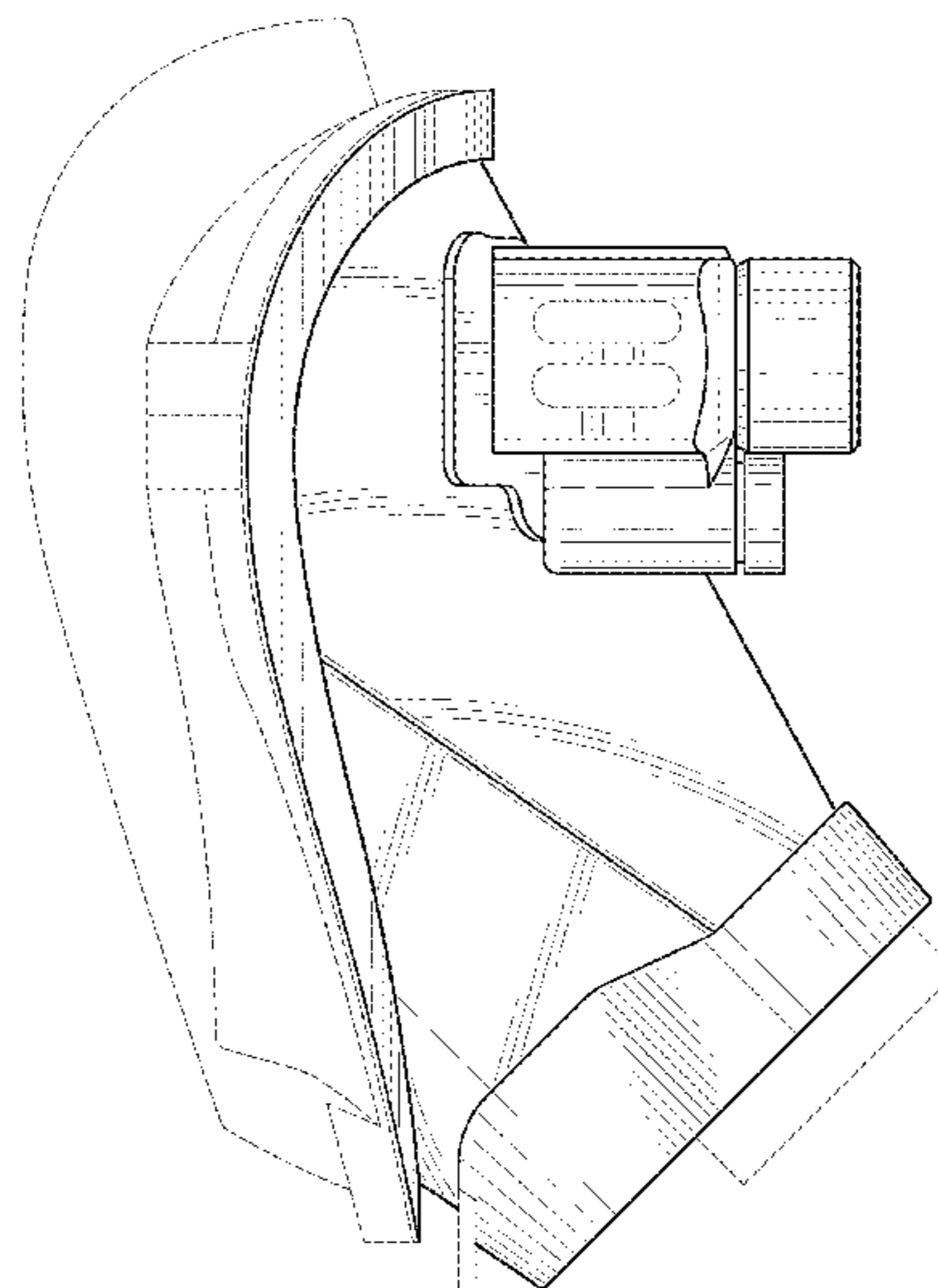
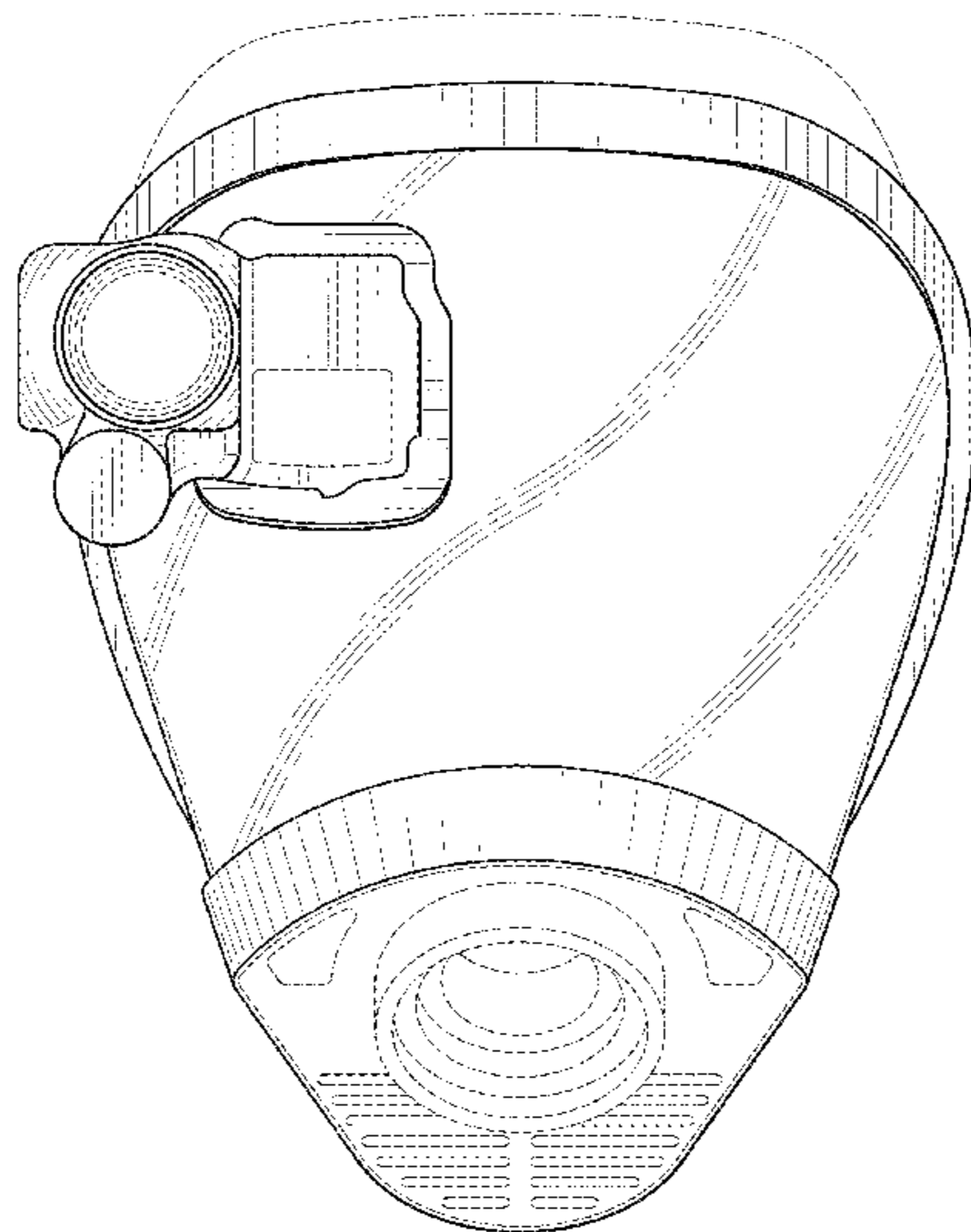
FIG. 3 is a right side elevation view of the gas mask with thermal sensor.

FIG. 4 is a top plan view of the gas mask with thermal sensor; and,

FIG. 5 is a bottom plan view of the gas mask with thermal sensor.

The broken line showing of portions of the article immediately adjacent the shaded areas is included for the purpose of illustrating environmental structure with the lines themselves and the areas within forming no part of the claimed design.

1 Claim, 5 Drawing Sheets



(56)

References Cited

U.S. PATENT DOCUMENTS

D388,872	S *	1/1998	Grannis et al.	D24/110.4
6,160,666	A	12/2000	Rallison et al.	
6,328,031	B1 *	12/2001	Tischer et al.	128/201.25
6,606,114	B1 *	8/2003	Gordon et al.	348/64
6,717,737	B1	4/2004	Haglund	
6,859,327	B2 *	2/2005	Del Bianco et al.	359/630
6,900,777	B1	5/2005	Hebert et al.	
7,245,273	B2	7/2007	Eberl et al.	
7,369,174	B2 *	5/2008	Olita et al.	348/373
7,460,304	B1 *	12/2008	Epstein et al.	359/618
7,969,383	B2	6/2011	Eberl et al.	

OTHER PUBLICATIONS

OES Products Group. (n.d.). OES Products Group. Retrieved Oct. 14, 2013, from <http://www.theoesgroup.com/>.

Air Soft Extreme. (n.d.). Air Soft Extreme. Retrieved Oct. 14, 2013, from www.airsoftextreme.com/store/index.php?main_page=product_info&cPath=254_671&products_id=6793&zenid=osi8ng6c6pmdvk5be62nOdem50.

MSA MSA Ultra Elite(TM) SCBA Respirator, S—Full Face Respirators—4AFU9|10084690—Grainger Industrial Supply. (n.d.). Grainger Industrial Supply—MRO Supplies, MRO Equipment, Tools & Solutions. Retrieved Oct. 14, 2013, from <http://www.grainger.com/Grainger/MSA-Full-Face-Respirator-4AFU9>.

Dräger FPS-COM-PLUS. (n.d.). Home. Retrieved Oct. 14, 2013, from http://www.draeger.com/sites/enus_us/Pages/Oil-Gas-Industry/Draeger-FPS-COM-PLUS.aspx.

Arayem Trade—Scott Sabre self contained breathing apparatus. (n.d.). Arayem Trade—Home. Retrieved Oct. 14, 2013, from http://arayemtrade.com/sabre_self_contained_breathing_apparatus.

Paul Ridden, “World First GPS Goggles With Head Mounted Display,” Wearable Electronics, Oct. 8, 2010.

* cited by examiner

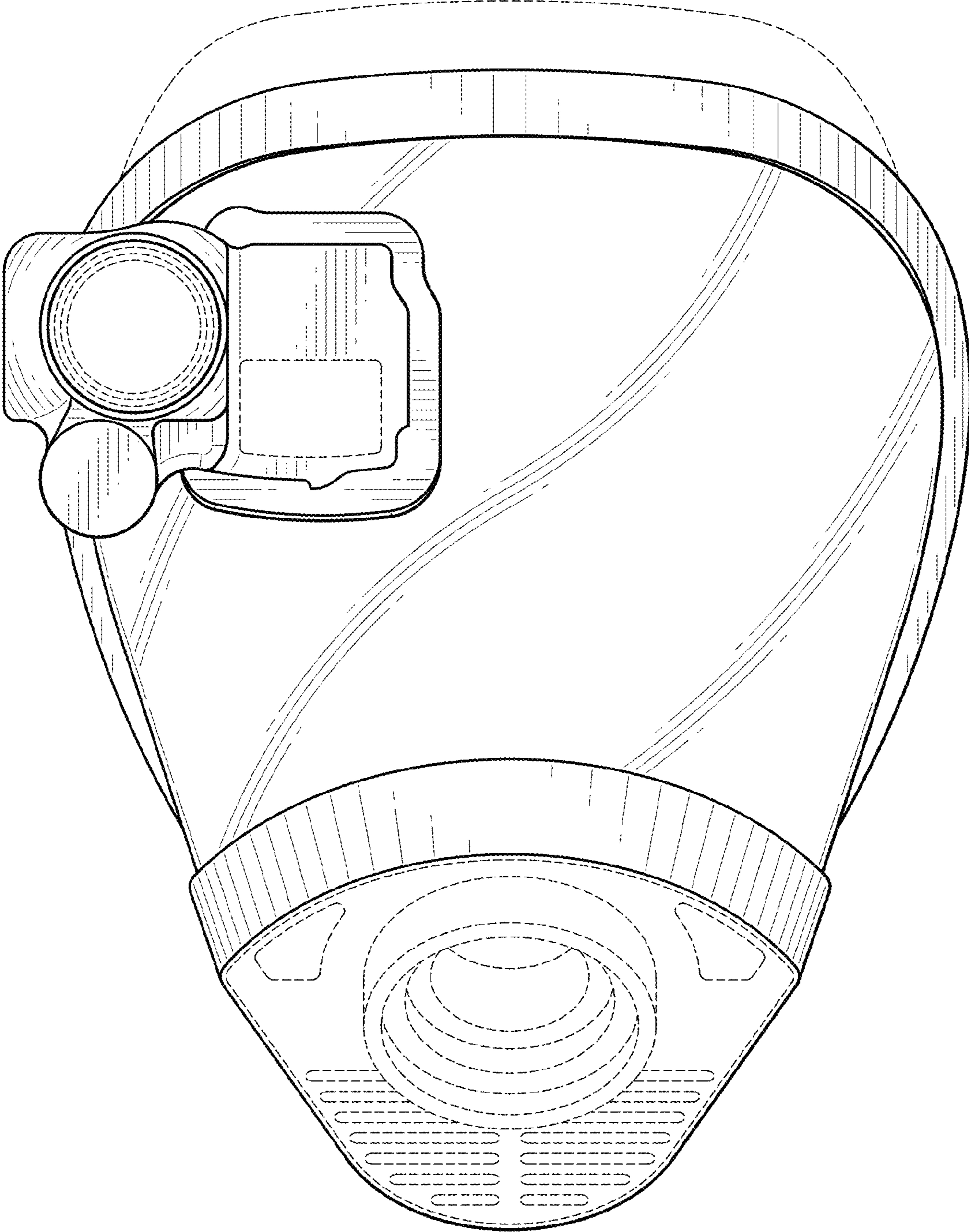


FIG-1

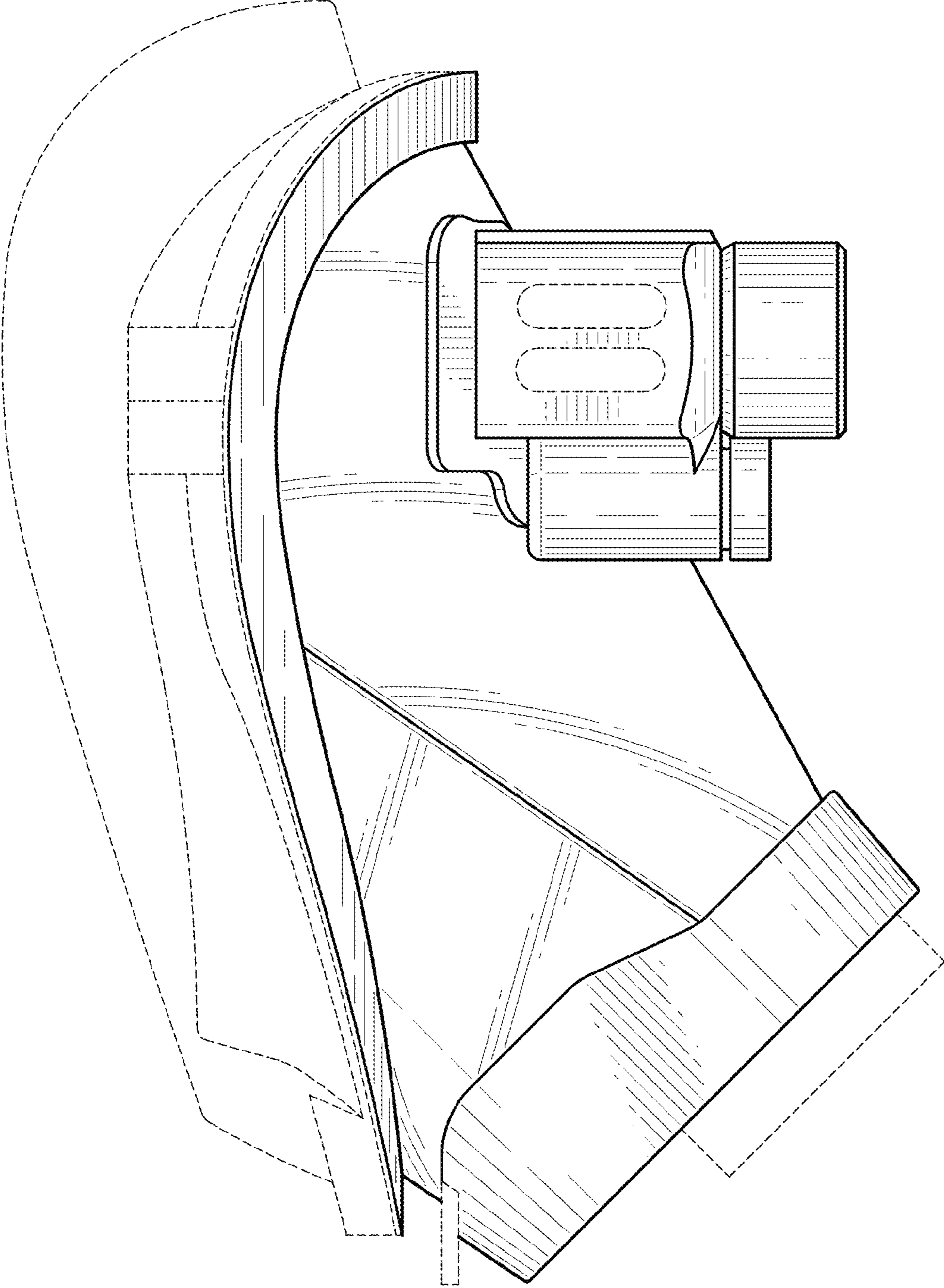


FIG-2

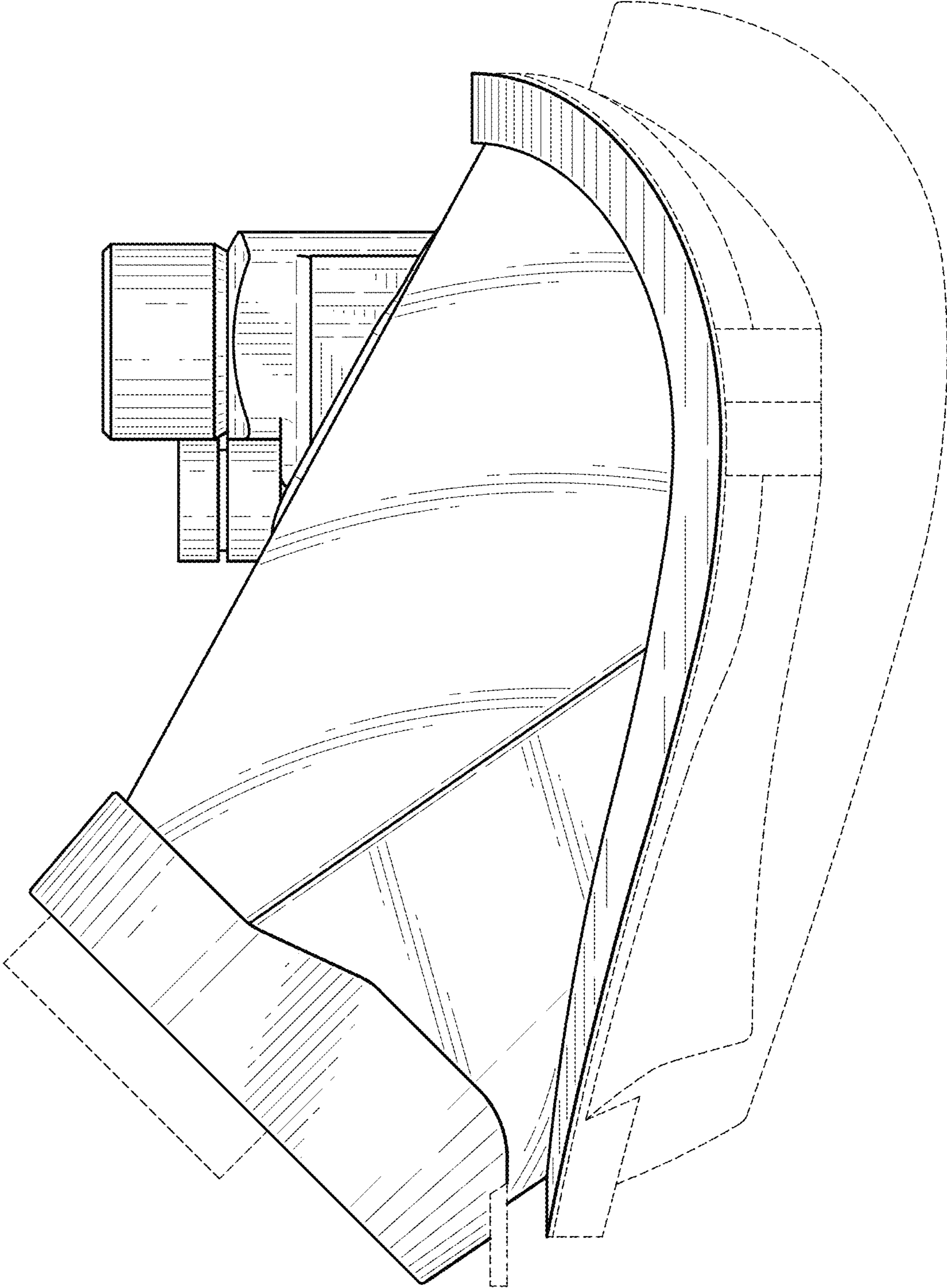


FIG-3

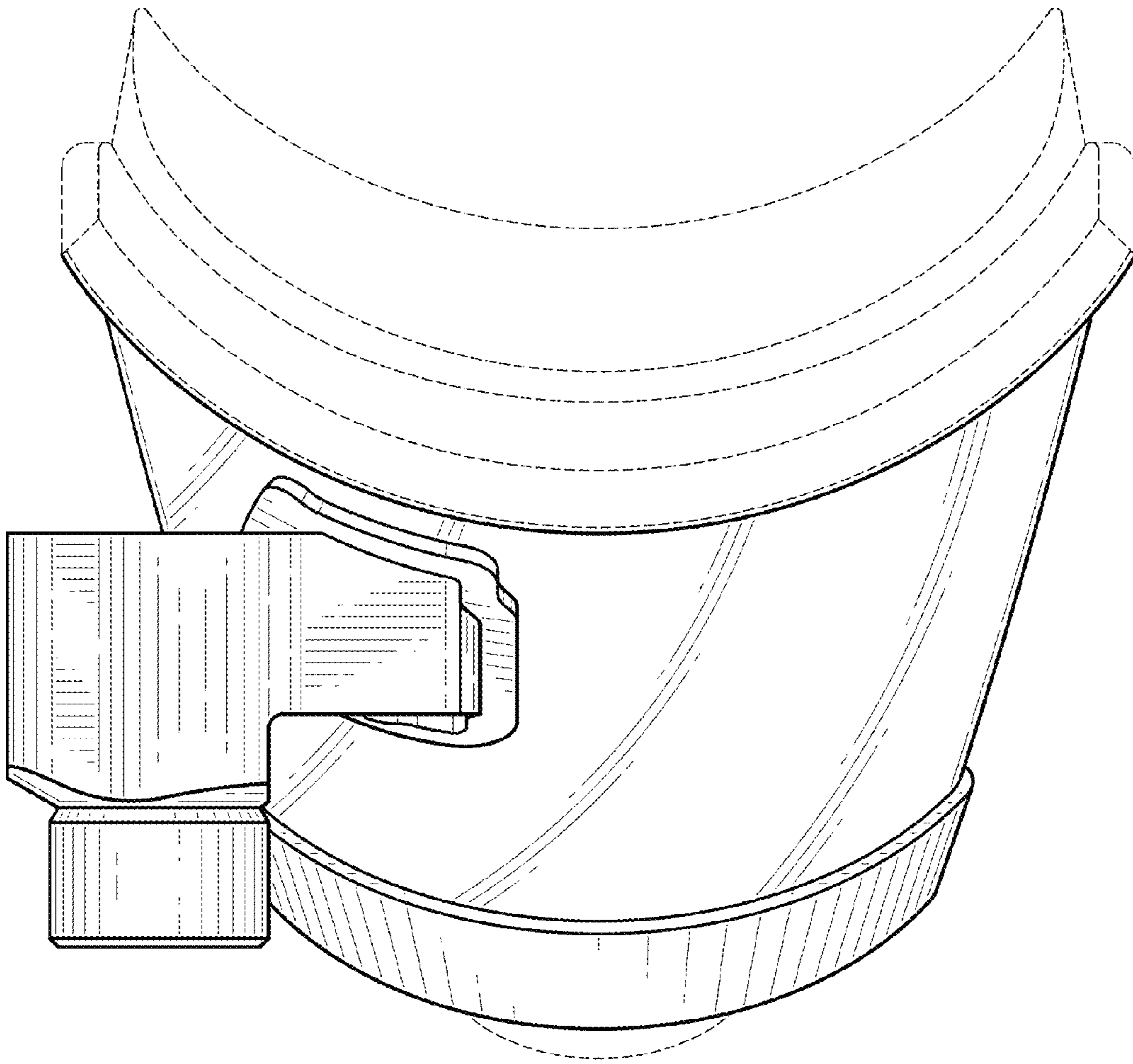


FIG-4

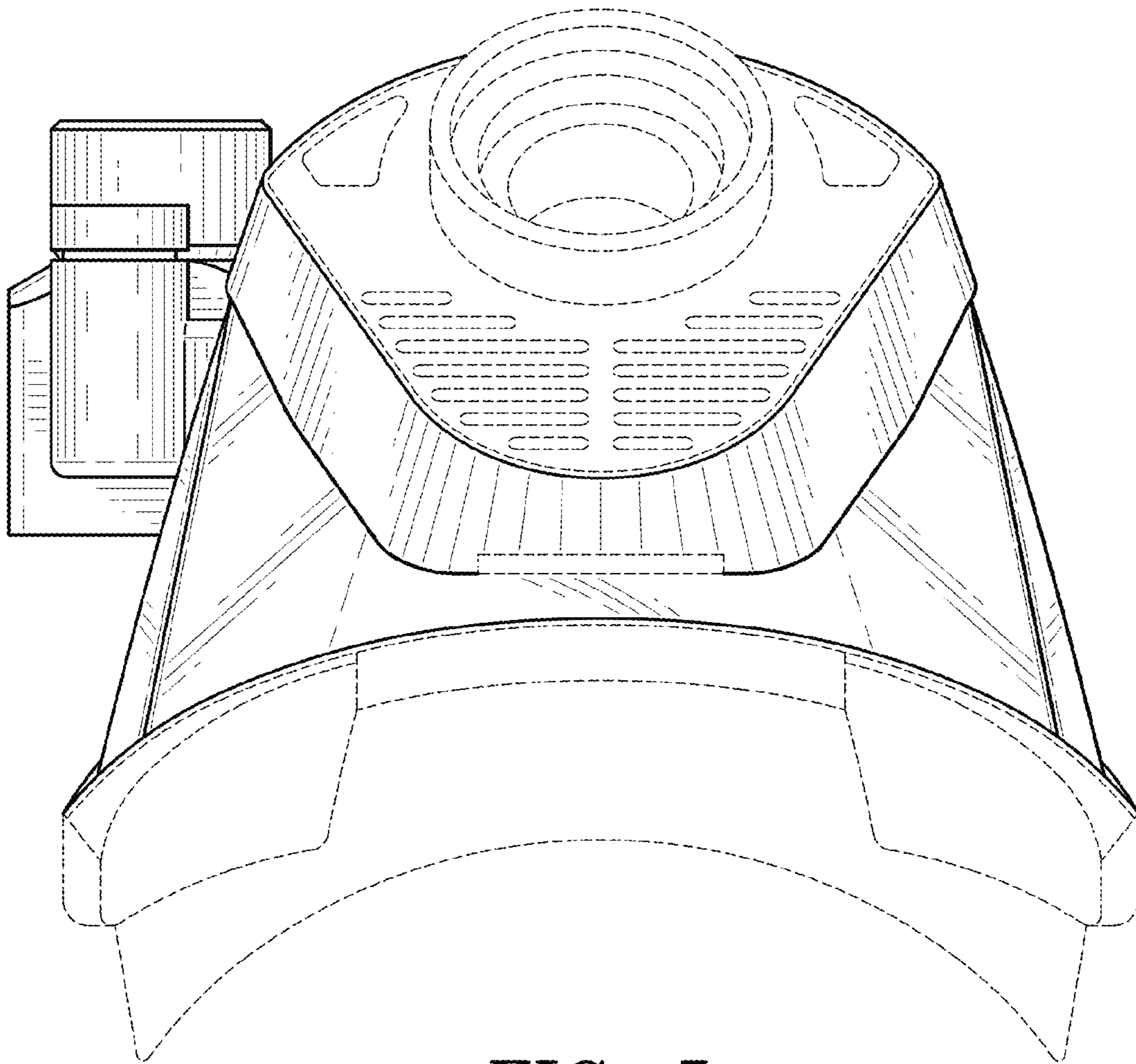


FIG-5