



US00D702827S

(12) **United States Design Patent**
Mase et al.

(10) **Patent No.:** **US D702,827 S**
(45) **Date of Patent:** **** Apr. 15, 2014**

(54) **VENTILATION FAN**

(71) Applicant: **Panasonic Corporation**, Osaka (JP)

(72) Inventors: **Nobuyuki Mase**, Nara (JP); **Keiji Takagaki**, Osaka (JP)

(73) Assignee: **Panasonic Corporation**, Osaka (JP)

(**) Term: **14 Years**

(21) Appl. No.: **29/443,399**

(22) Filed: **Jan. 17, 2013**

(51) **LOC (10) Cl.** **23-04**

(52) **U.S. Cl.**
USPC **D23/370**

(58) **Field of Classification Search**
USPC D23/370–385, 411–414, 365, 364, 328,
D23/314, 386–394, 259; 415/60, 66, 68,
415/208.1, 213.1, 214.1; 310/257; 361/695;
126/299 D, 299 R; D26/51, 59, 72, 73;
D32/15, 16; 416/189; D13/179;
454/358–368; D25/199; 285/13, 43,
285/44; 52/58, 219

See application file for complete search history.

D567,352 S * 4/2008 Hollingsworth et al. D23/388
D567,353 S * 4/2008 Hollingsworth et al. D23/388
D567,933 S * 4/2008 Hollingsworth et al. D23/388
D570,465 S * 6/2008 Miyake et al. D23/371
D574,478 S 8/2008 Miyake et al.
D575,387 S 8/2008 Zakura et al.
D577,805 S 9/2008 Adrian et al.
D581,508 S 11/2008 Miyake et al.
D584,393 S * 1/2009 Miyake et al. D23/370
D584,394 S * 1/2009 Miyake et al. D23/370
D653,323 S * 1/2012 Jacak et al. D23/371
D654,998 S 2/2012 Zakura et al.
D655,403 S * 3/2012 Zakula et al. D23/388
D678,995 S * 3/2013 Hoshino et al. D23/388
D681,794 S * 5/2013 Lin et al. D23/371
2001/0023173 A1* 9/2001 Schiedegger et al. 454/367

* cited by examiner

Primary Examiner — Susan Bennett Hattan

Assistant Examiner — Janice Hallmark

(74) *Attorney, Agent, or Firm* — Panasonic Patent Center

(57) **CLAIM**

We claim the ornamental design for a ventilation fan, as shown and described.

DESCRIPTION

FIG. 1 is a bottom perspective view of a ventilation fan of the present invention;

FIG. 2 is a front view thereof;

FIG. 3 is a rear view thereof;

FIG. 4 is a first side view thereof;

FIG. 5 is a second side view thereof;

FIG. 6 is a top view thereof; and,

FIG. 7 is a bottom view thereof.

The dash-dash broken lines depict unclaimed environment; the dash-dot-dash lines depict boundaries of the claim; all broken lines are unclaimed.

1 Claim, 7 Drawing Sheets

(56) **References Cited**

U.S. PATENT DOCUMENTS

D287,888 S * 1/1987 Castor et al. D26/59
D457,616 S 5/2002 Yamanaka et al.
D510,432 S * 10/2005 Bargiel D23/412
D510,996 S * 10/2005 Vladika D23/385
D535,431 S * 1/2007 Roland D26/118
D535,433 S * 1/2007 Craw et al. D26/119
7,203,416 B2* 4/2007 Craw et al. 392/350
D565,716 S 4/2008 Jacak
D565,717 S 4/2008 Jacak et al.
D565,722 S * 4/2008 Hollingsworth et al. D23/388

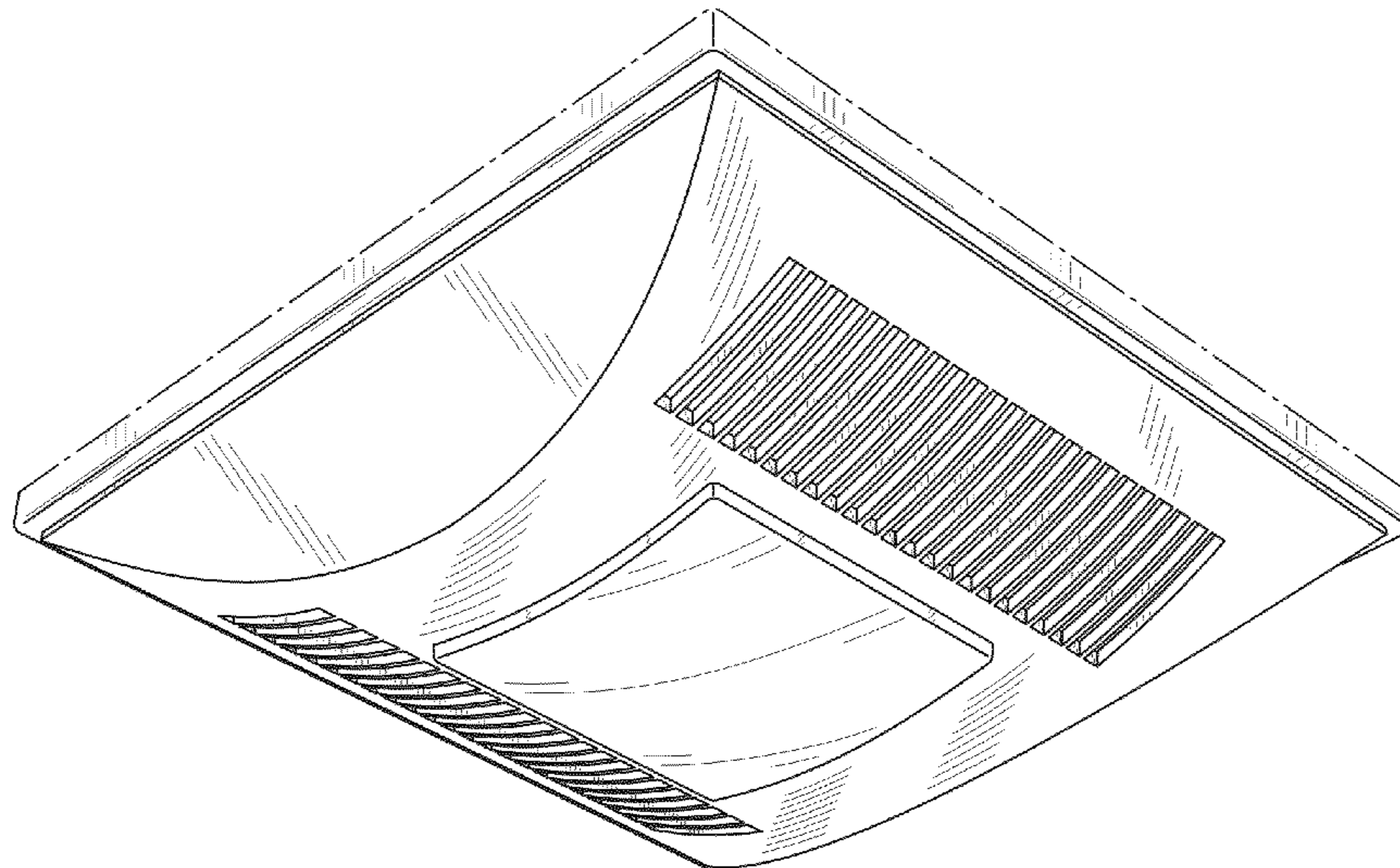


FIG. 1

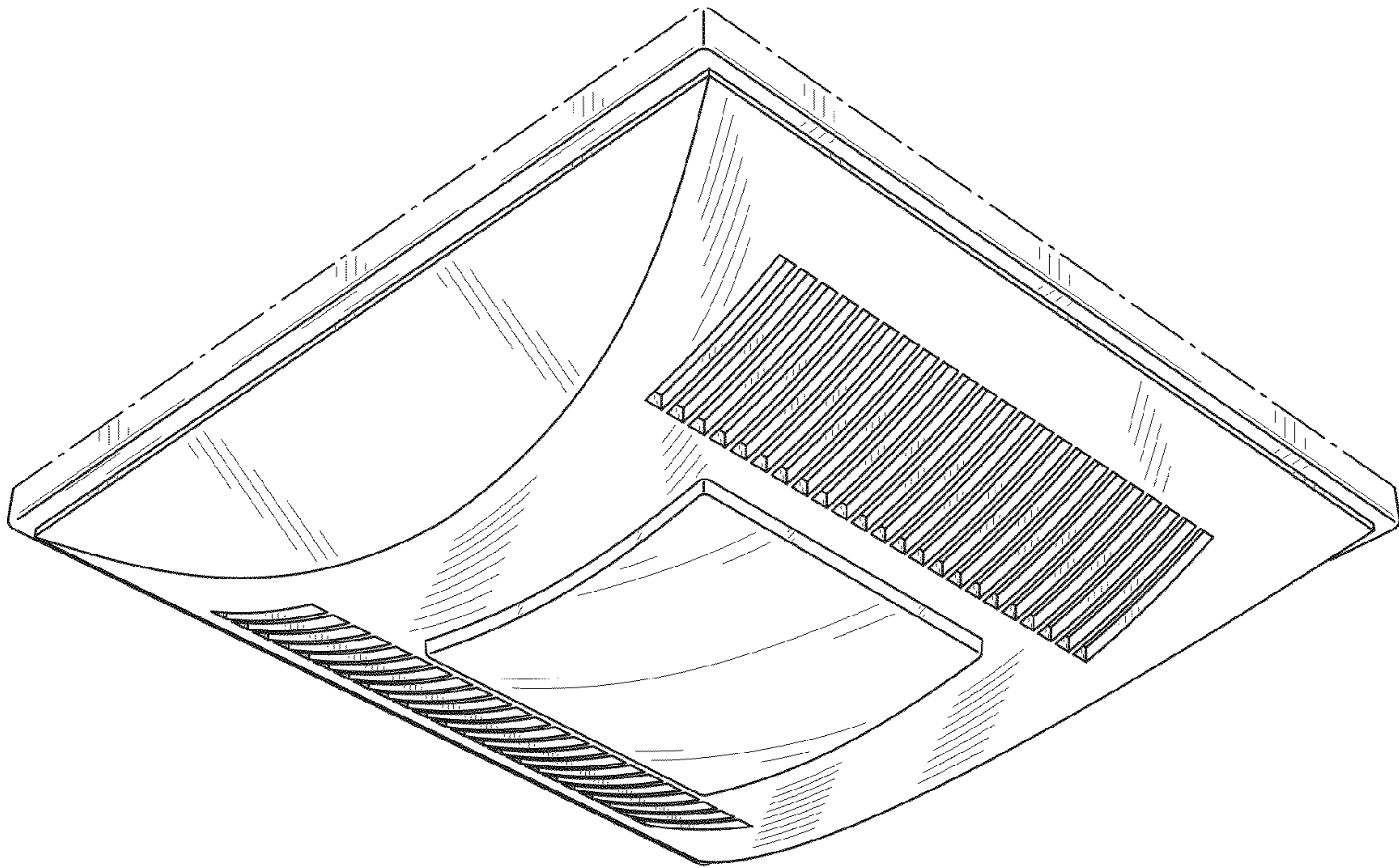


FIG. 2

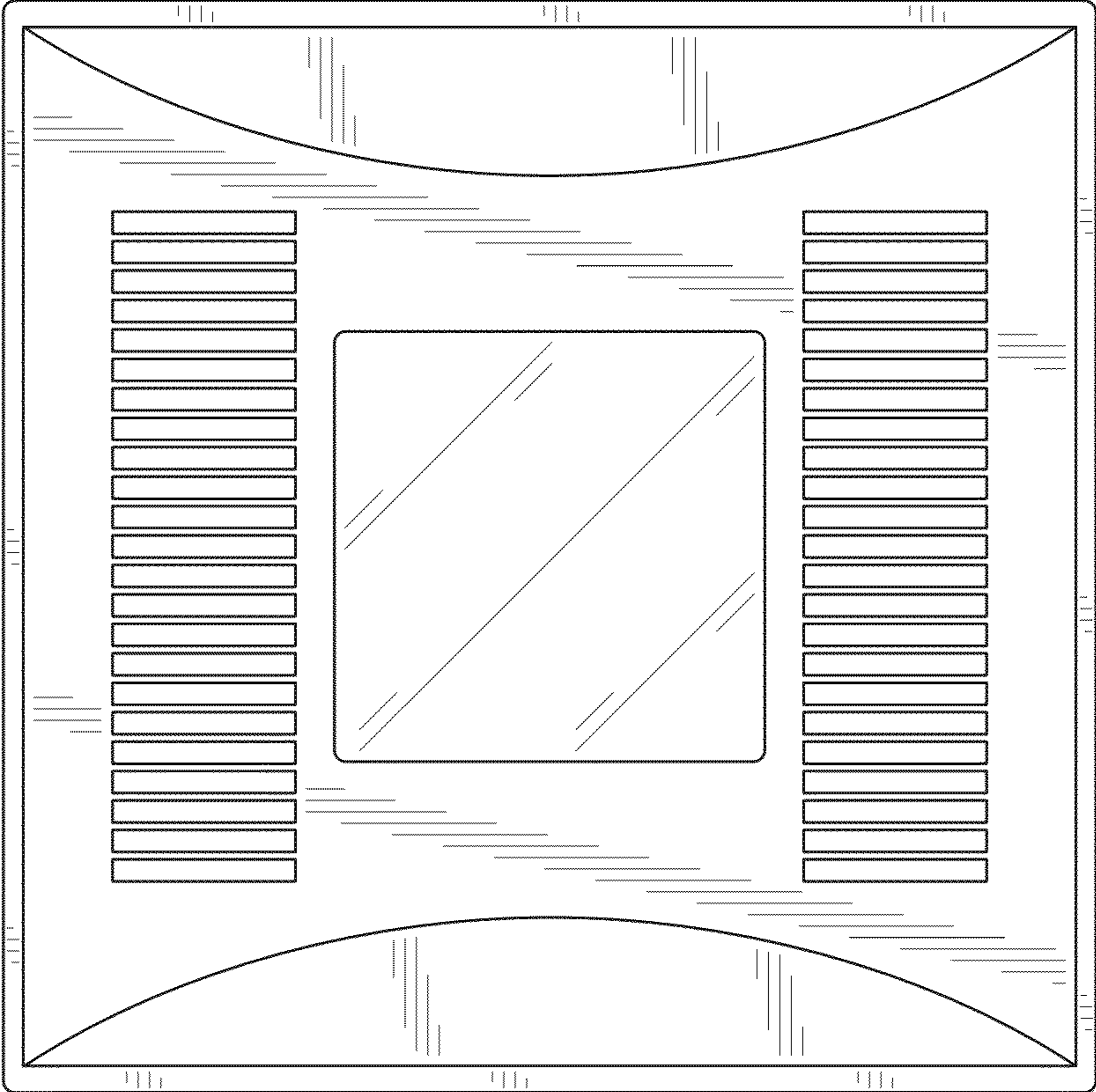


FIG. 3

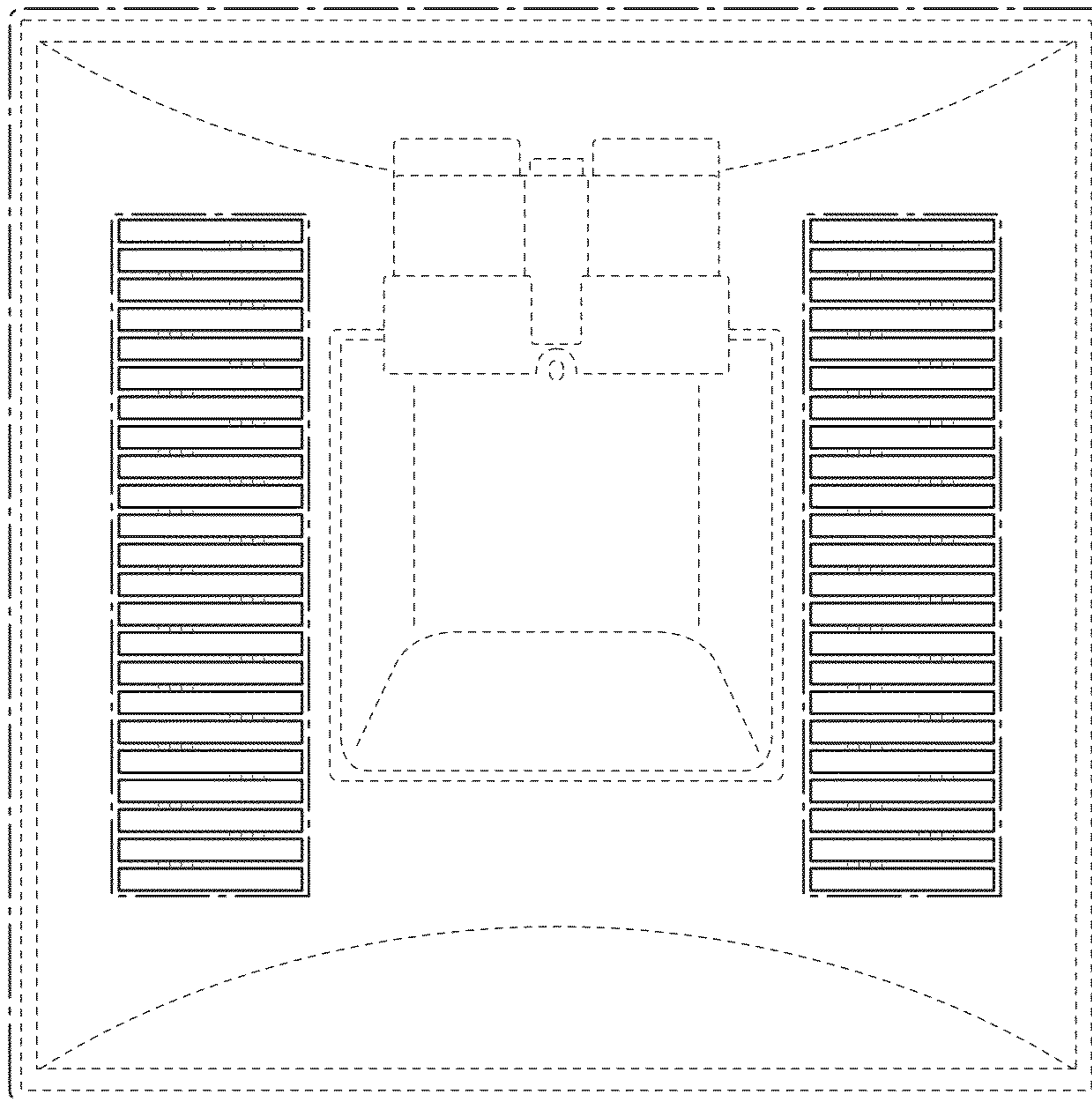


FIG. 4

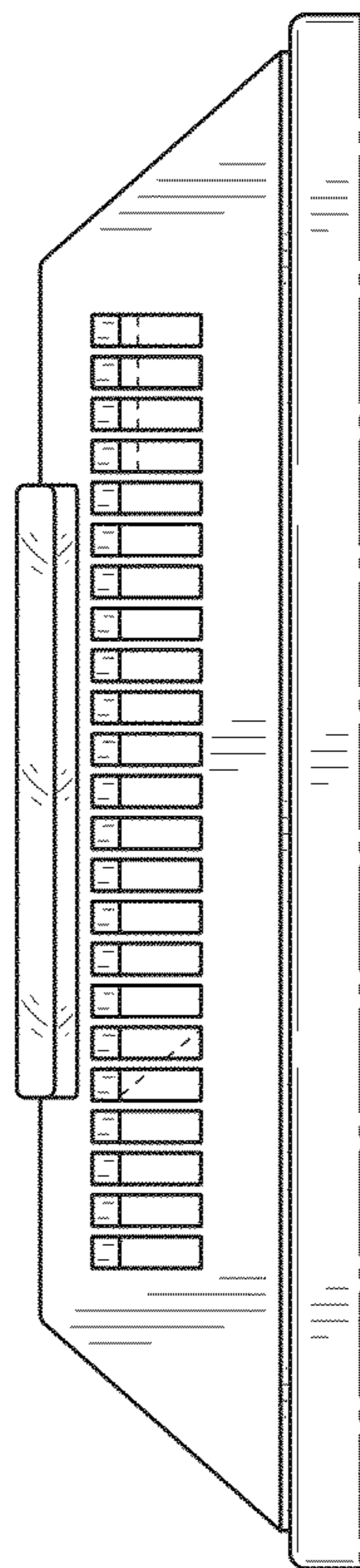


FIG. 5

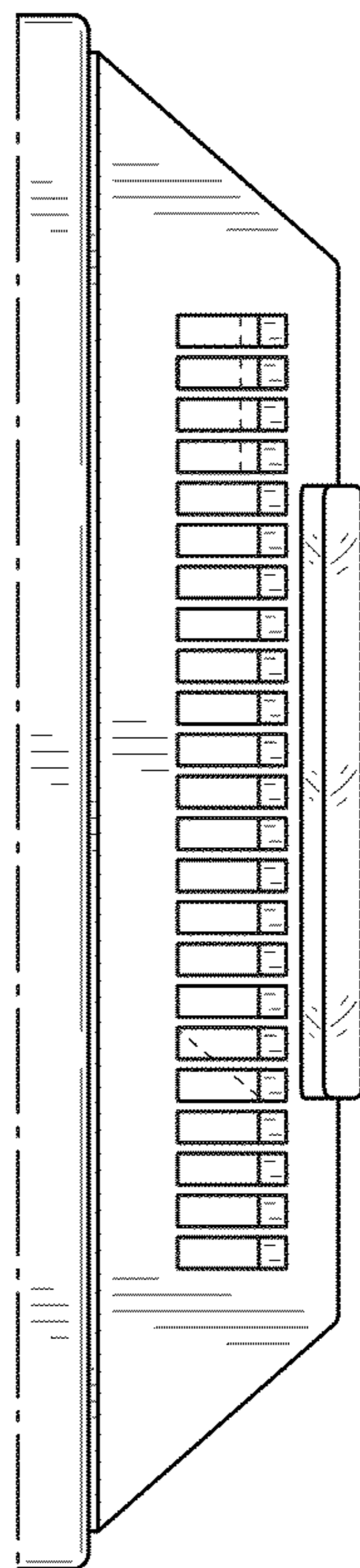


FIG. 6

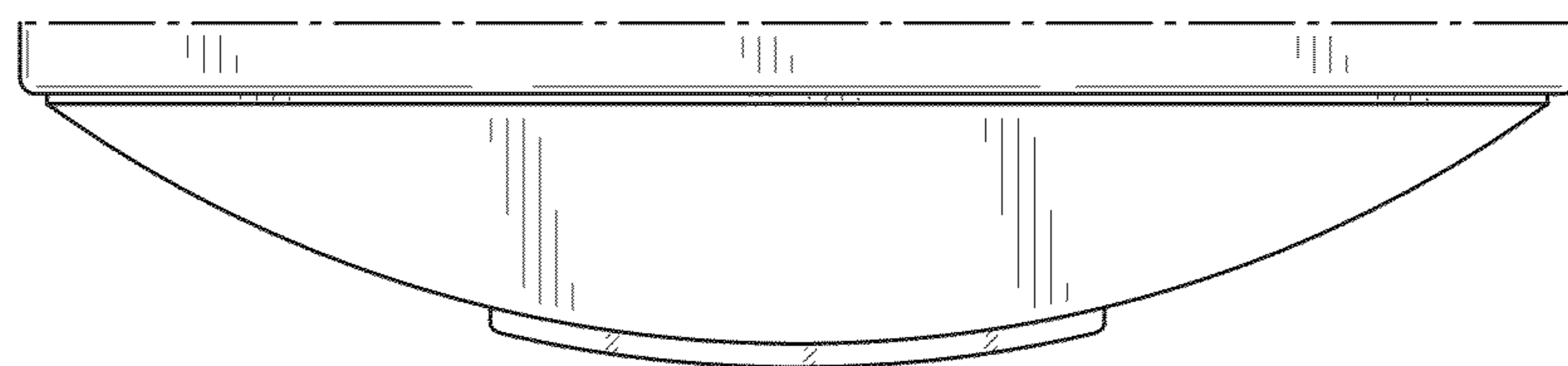


FIG. 7

