



US00D702822S

(12) **United States Design Patent**
Spangler

(10) **Patent No.:** **US D702,822 S**

(45) **Date of Patent:** **** Apr. 15, 2014**

(54) **TOILET TANK LID**

(56) **References Cited**

(71) Applicant: **Masco Corporation of Indiana,**
Indianapolis, IN (US)

U.S. PATENT DOCUMENTS

D491,651 S * 6/2004 Bates D23/313
D672,019 S * 12/2012 Bucher D23/301

(72) Inventor: **Anthony Spangler,** Indianapolis, IN
(US)

* cited by examiner

Primary Examiner — Robert Delehanty

(73) Assignee: **Masco Corporation of Indiana,**
Indianapolis, IN (US)

(74) *Attorney, Agent, or Firm* — Edgar A. Zarins; Nirav D. Parikh

(**) Term: **14 Years**

(57) **CLAIM**

The ornamental design for a toilet tank lid, as shown and described.

(21) Appl. No.: **29/457,776**

DESCRIPTION

(22) Filed: **Jun. 13, 2013**

FIG. 1 is a perspective view of a toilet tank lid showing my new design;

(51) **LOC (10) Cl.** **23-02**

FIG. 2 is a top plan view thereof;

(52) **U.S. Cl.**

FIG. 3 is a front view thereof;

USPC **D23/313**

FIG. 4 is a first end view thereof, the opposite end being a mirror image of the side shown;

(58) **Field of Classification Search**

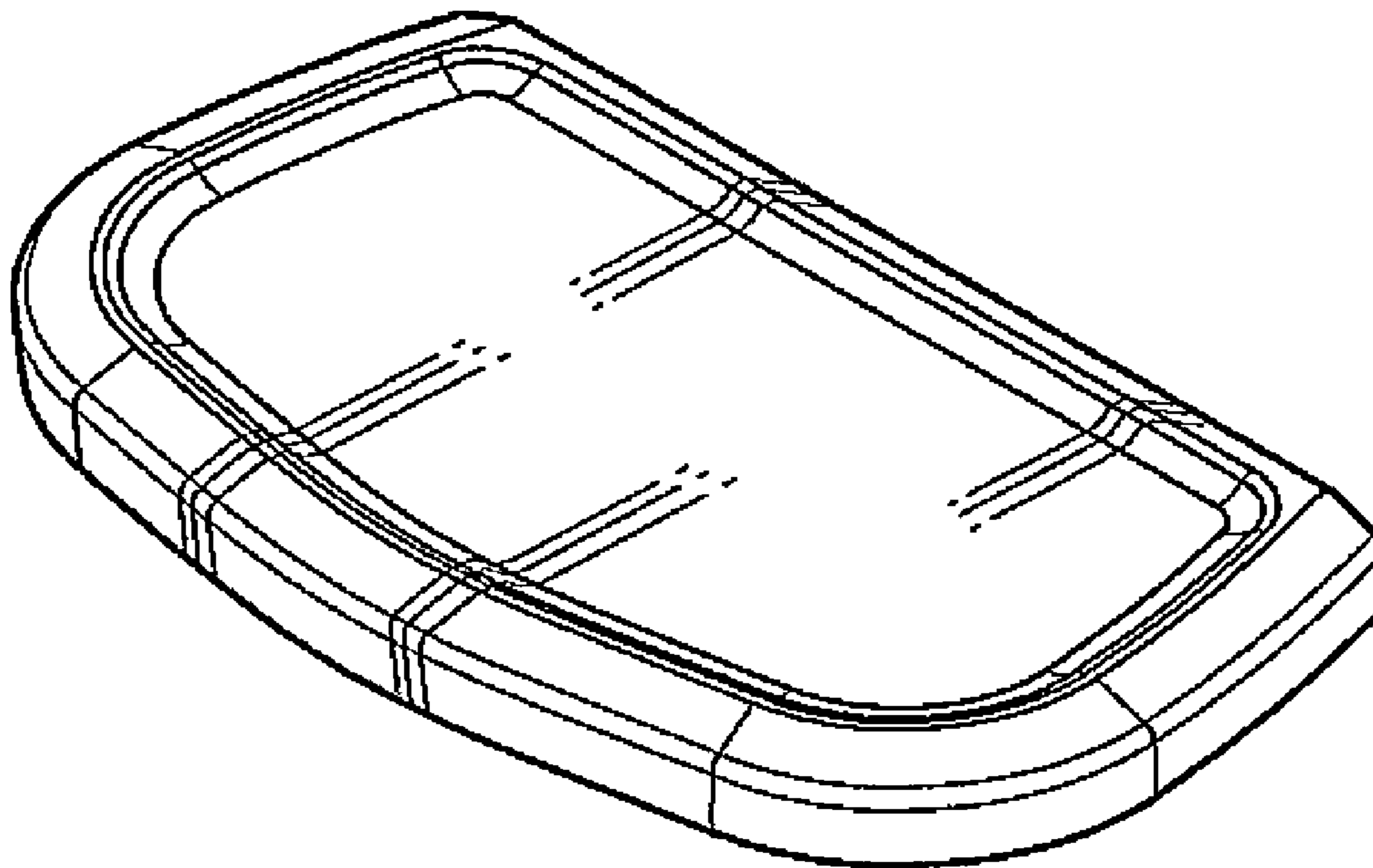
USPC D23/295, 301, 303, 309, 313; 4/300,
4/353

FIG. 5 is a bottom view thereof; and,

FIG. 6 is a rear view thereof.

See application file for complete search history.

1 Claim, 1 Drawing Sheet



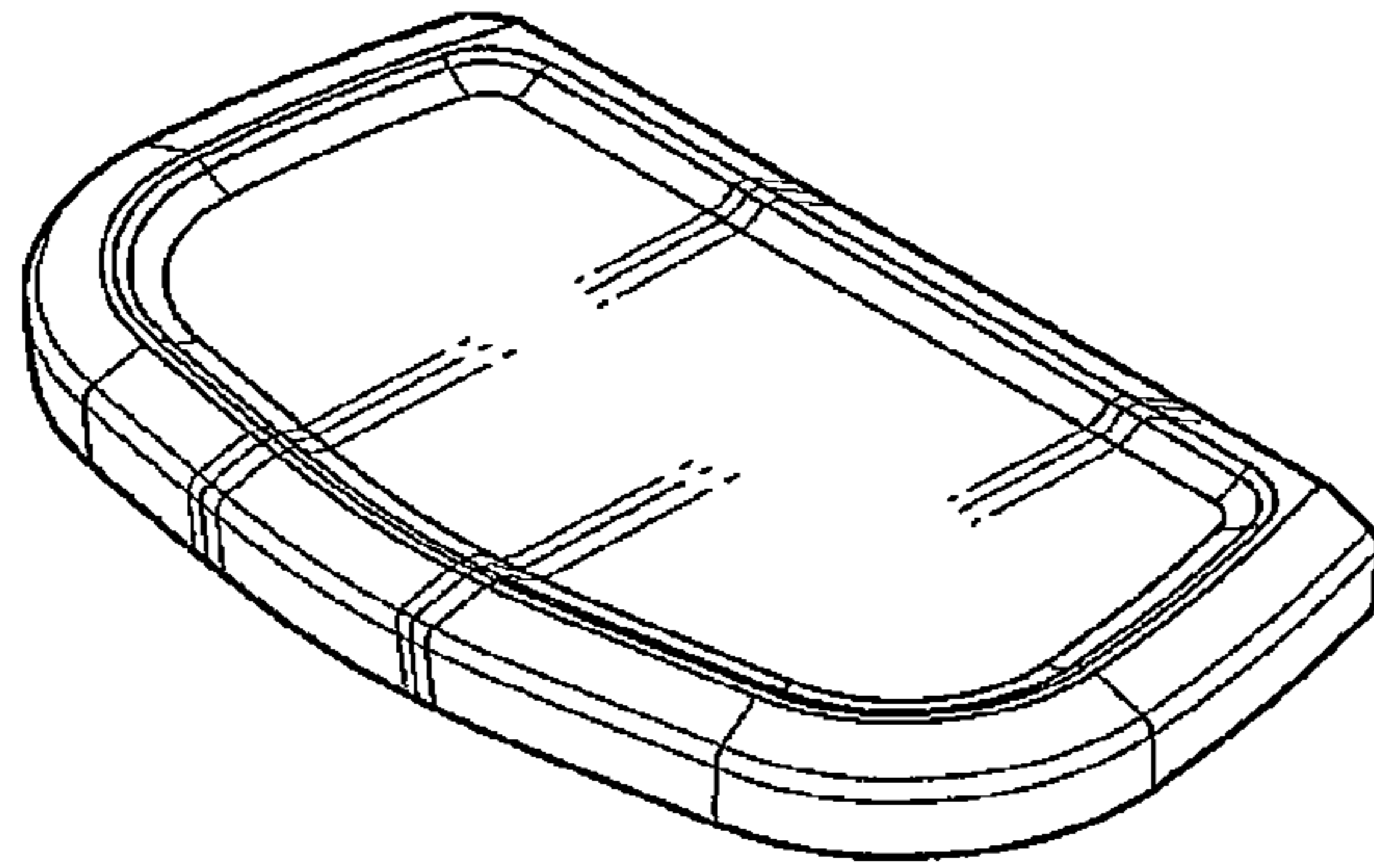


Fig-1

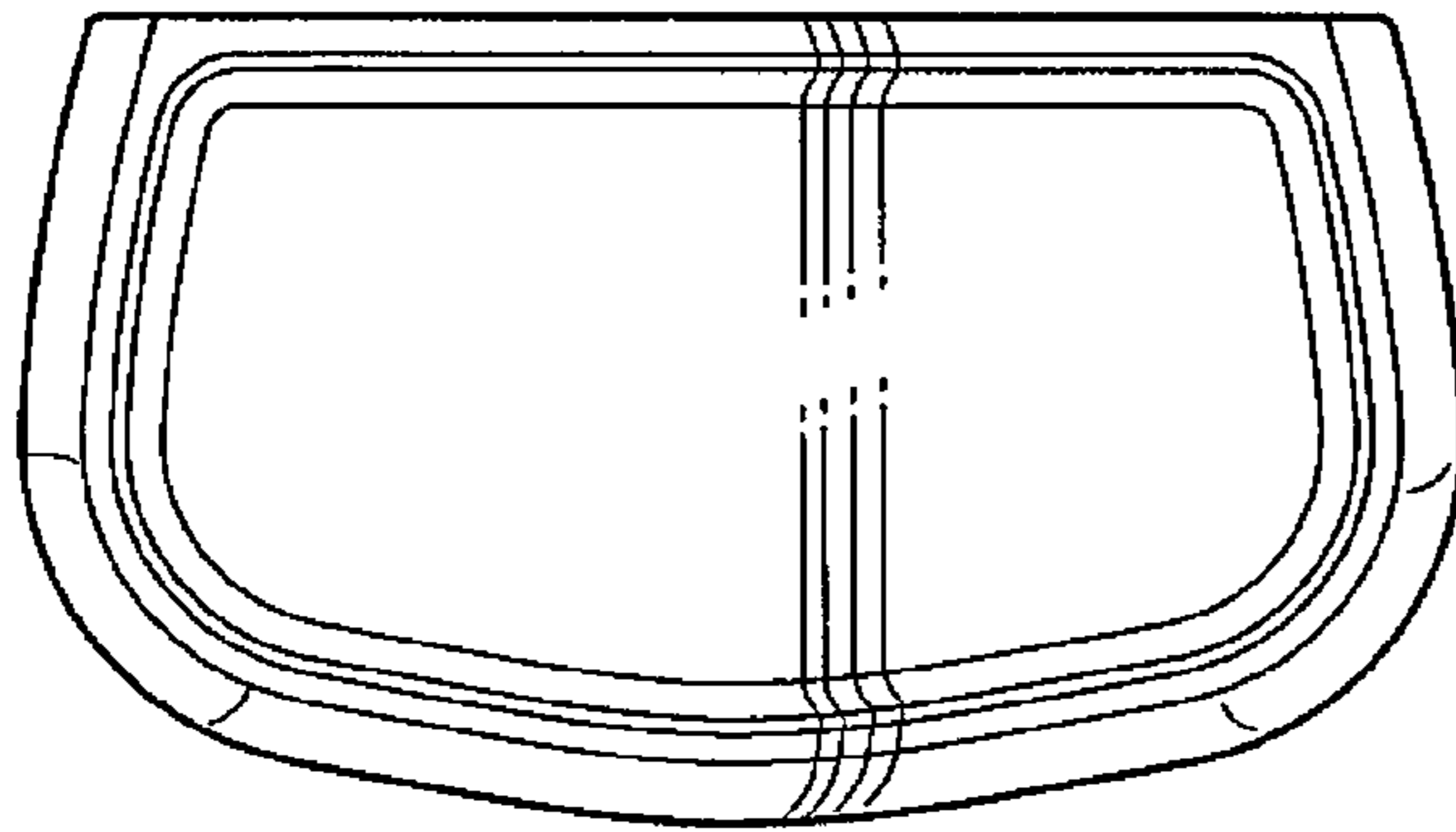


Fig-2

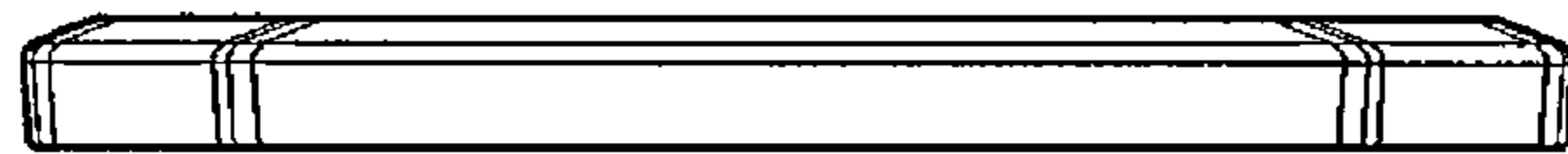


Fig-3



Fig-4

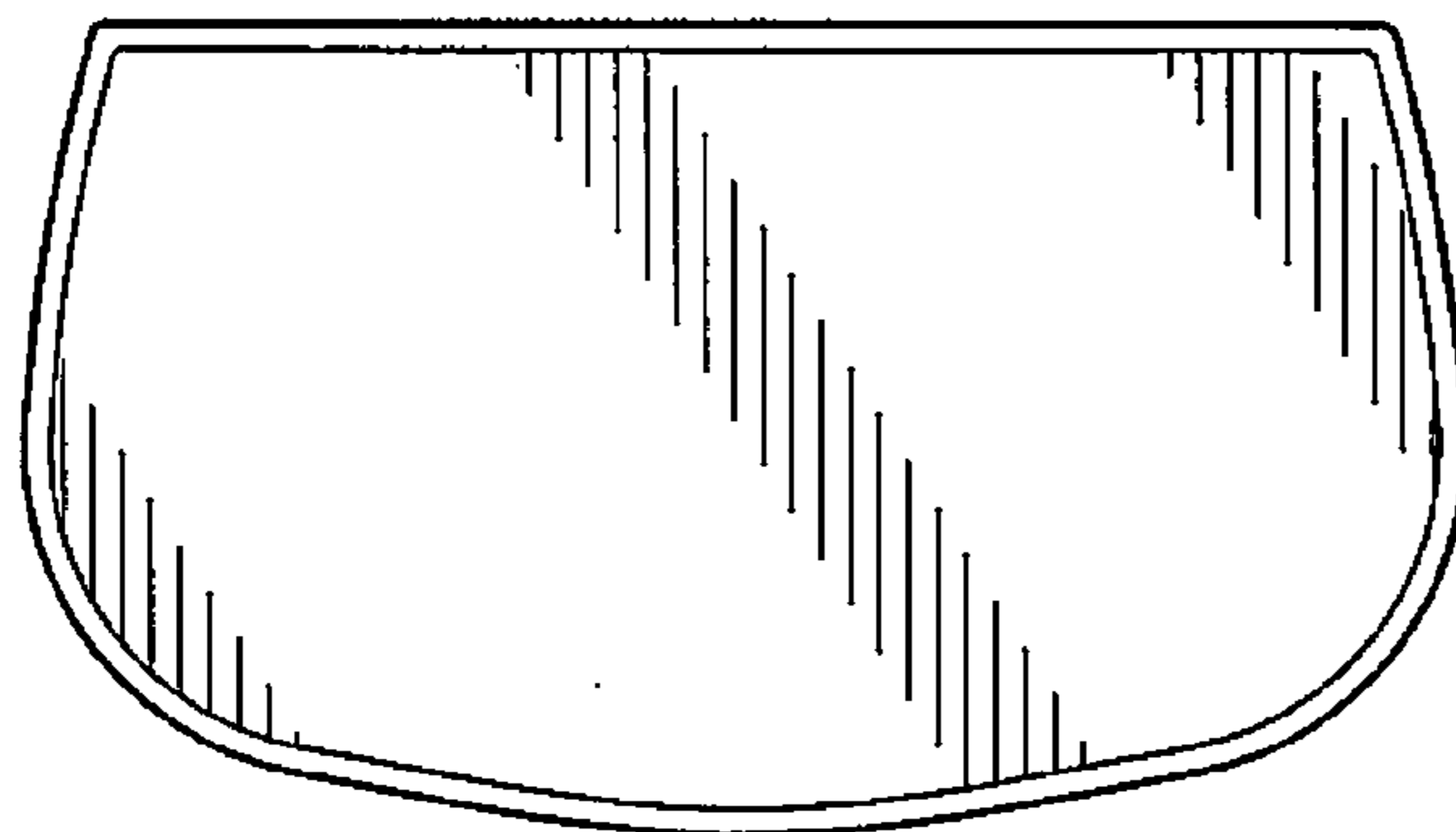


Fig-5

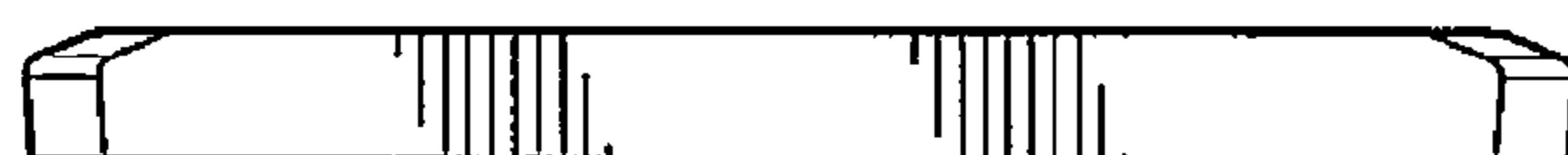


Fig-6