



US00D702821S

(12) **United States Design Patent**  
**Garland et al.**

(10) **Patent No.:** **US D702,821 S**

(45) **Date of Patent:** **\*\* Apr. 15, 2014**

(54) **TOILET TANK**

(71) Applicant: **Masco Corporation of Indiana,**  
Indianapolis, IN (US)

(72) Inventors: **Celine Kwok Garland,** Indianapolis, IN  
(US); **Anthony Spangler,** Indianapolis,  
IN (US)

(73) Assignee: **Masco Corporation of Indiana,**  
Indianapolis, IN (US)

(\*\*) Term: **14 Years**

(21) Appl. No.: **29/457,410**

(22) Filed: **Jun. 10, 2013**

(51) **LOC (10) Cl.** ..... **23-02**

(52) **U.S. Cl.**  
USPC ..... **D23/313**

(58) **Field of Classification Search**  
USPC ..... D23/295, 301, 303, 309, 313; 4/300,  
4/353

See application file for complete search history.

(56) **References Cited**

U.S. PATENT DOCUMENTS

D406,325 S *	3/1999	Nagato	.....	D23/301
D496,443 S *	9/2004	Bates	.....	D23/301
D672,018 S *	12/2012	Bucher	.....	D23/301
D690,402 S *	9/2013	Bates et al.	.....	D23/301

\* cited by examiner

*Primary Examiner* — Robert Delehanty

(74) *Attorney, Agent, or Firm* — Edgar A. Zarins; Nirav D. Parikh

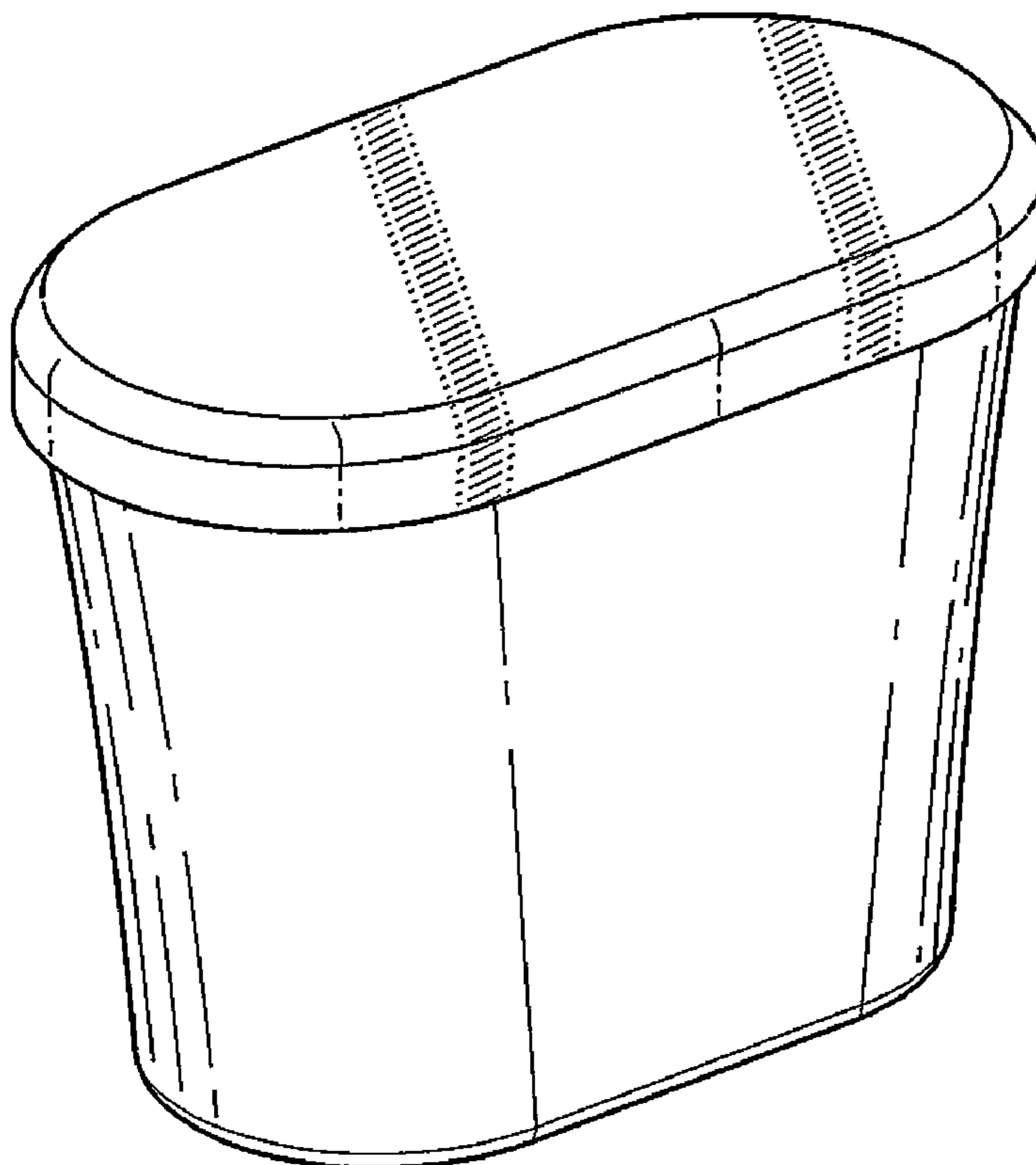
(57) **CLAIM**

The ornamental design for a toilet tank, as shown and described.

**DESCRIPTION**

FIG. 1 is a perspective view of a toilet tank showing our new design;  
FIG. 2 is a top plan view thereof;  
FIG. 3 is a bottom view thereof;  
FIG. 4 is a first side view thereof, the opposite side being a mirror image of the side shown; and,  
FIG. 5 is a first end view thereof, the opposite end being a mirror image of the end shown.

**1 Claim, 2 Drawing Sheets**



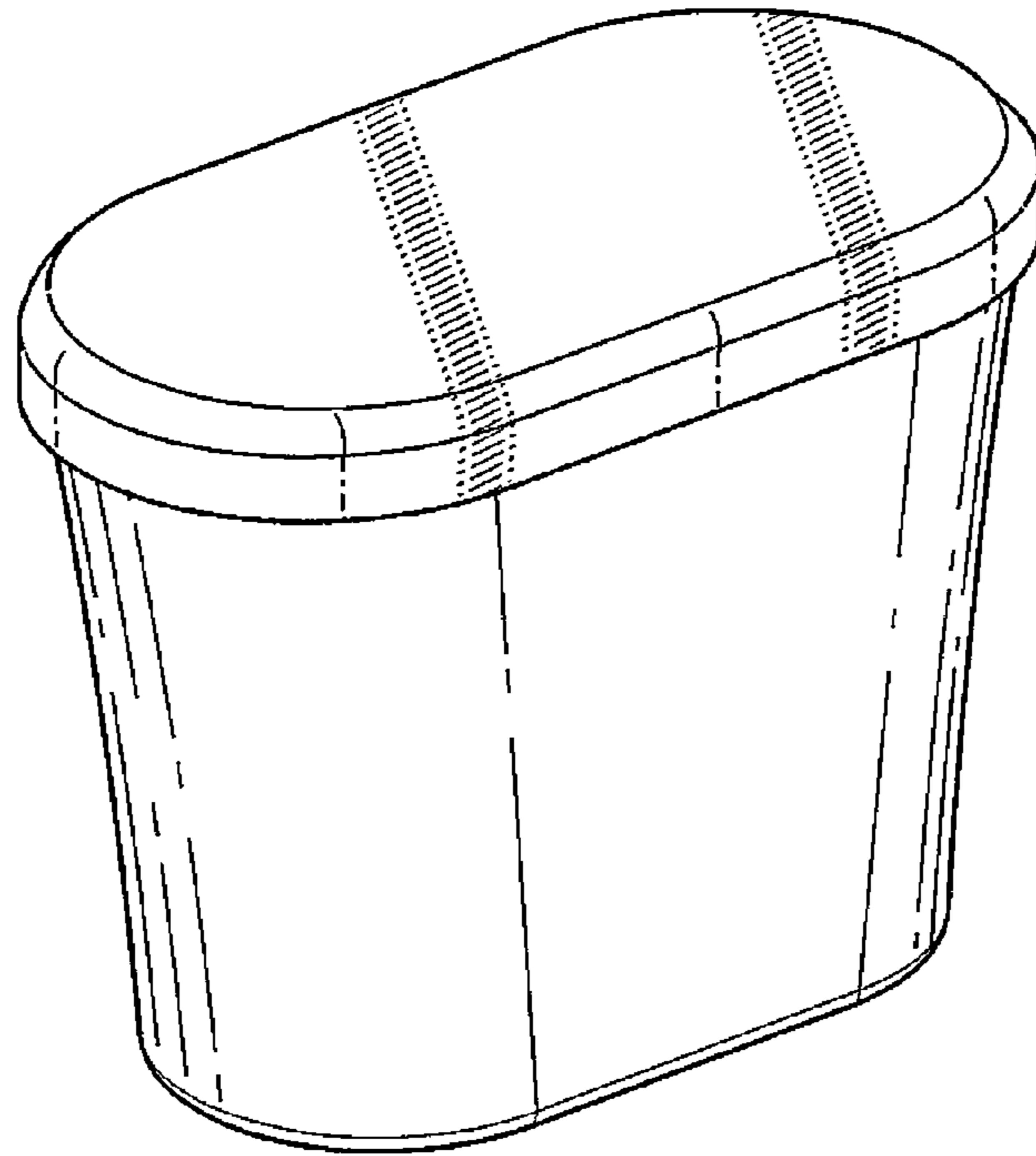


Fig-1

Fig-2

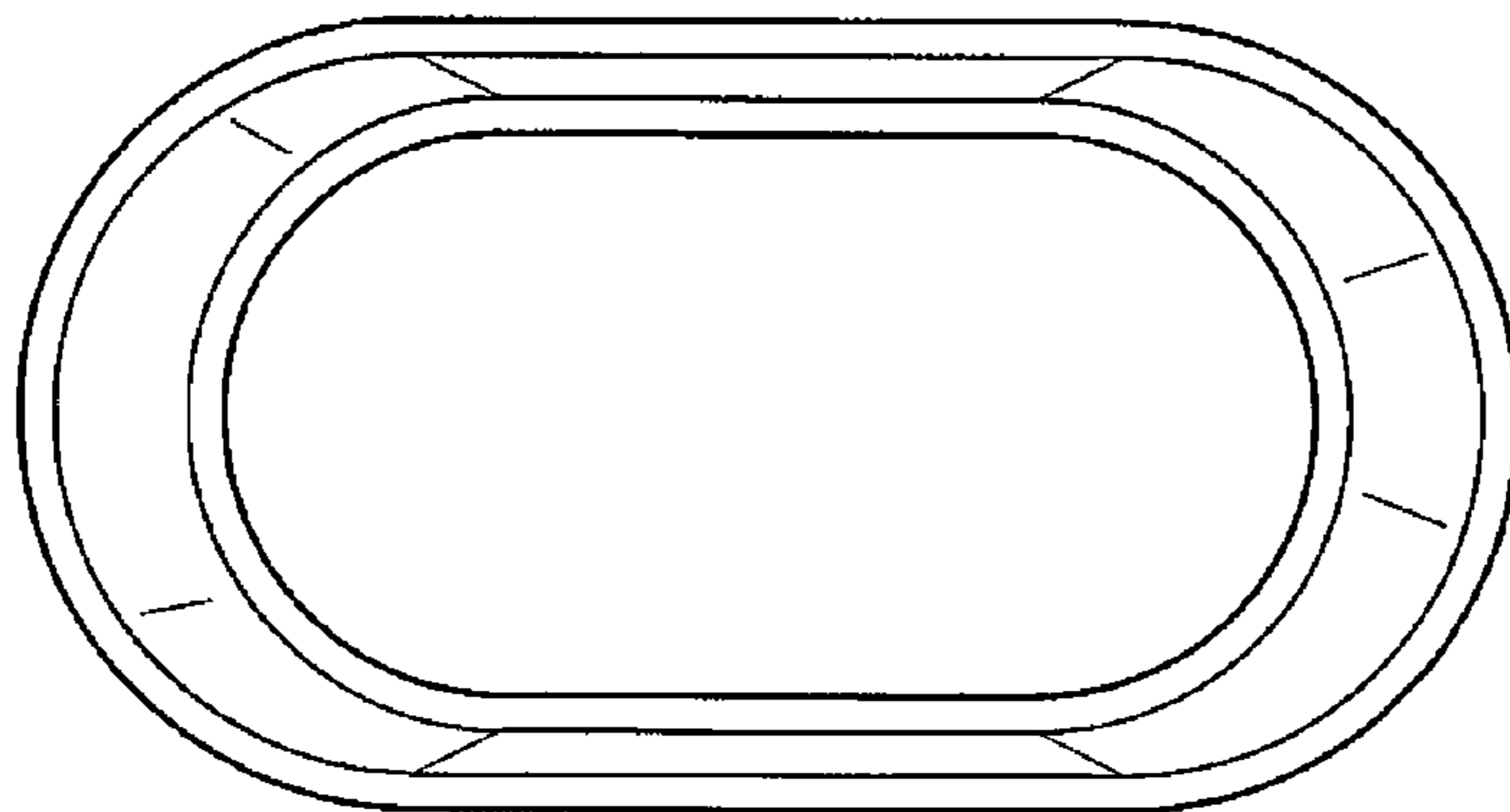
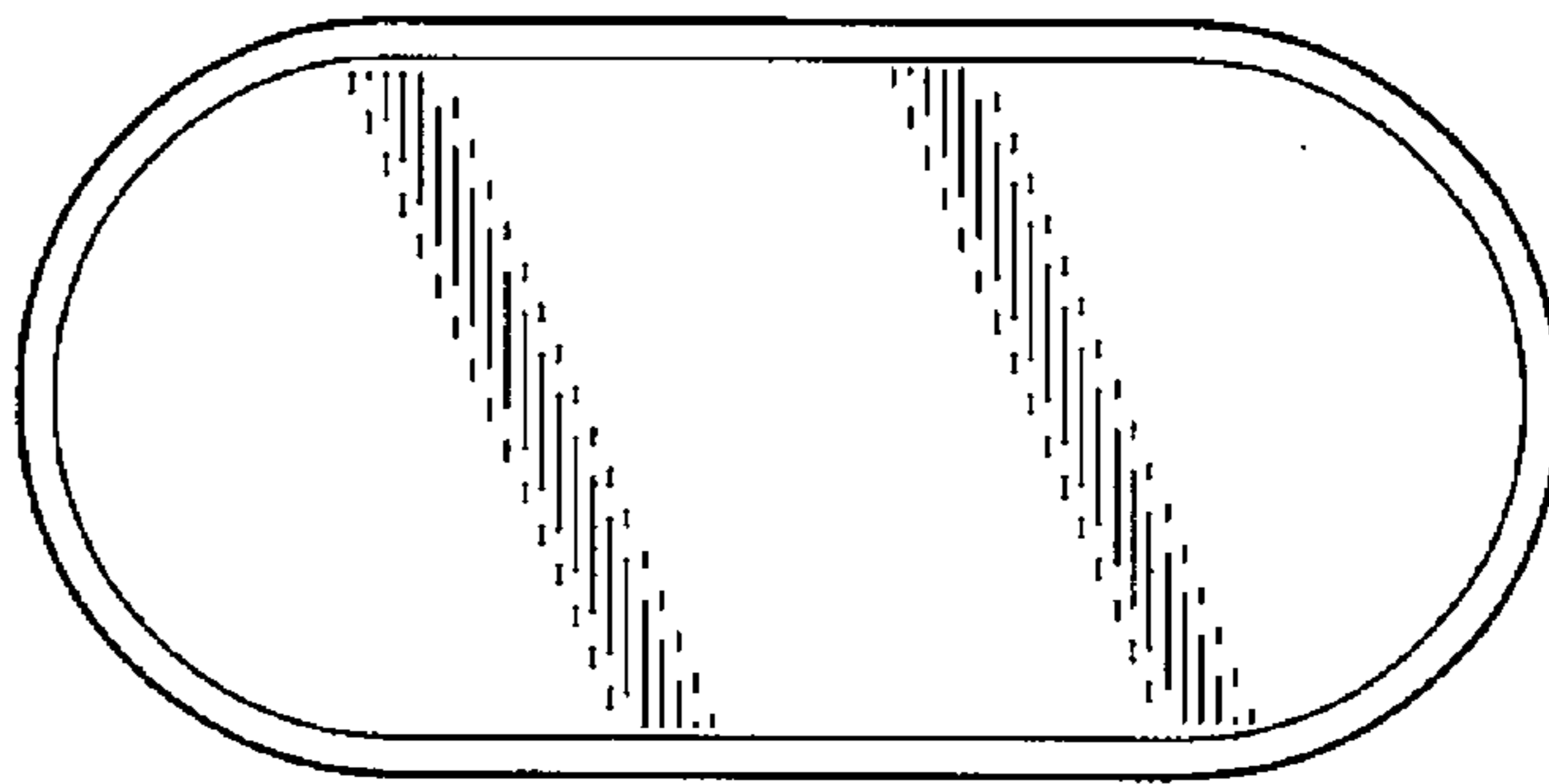


Fig-3

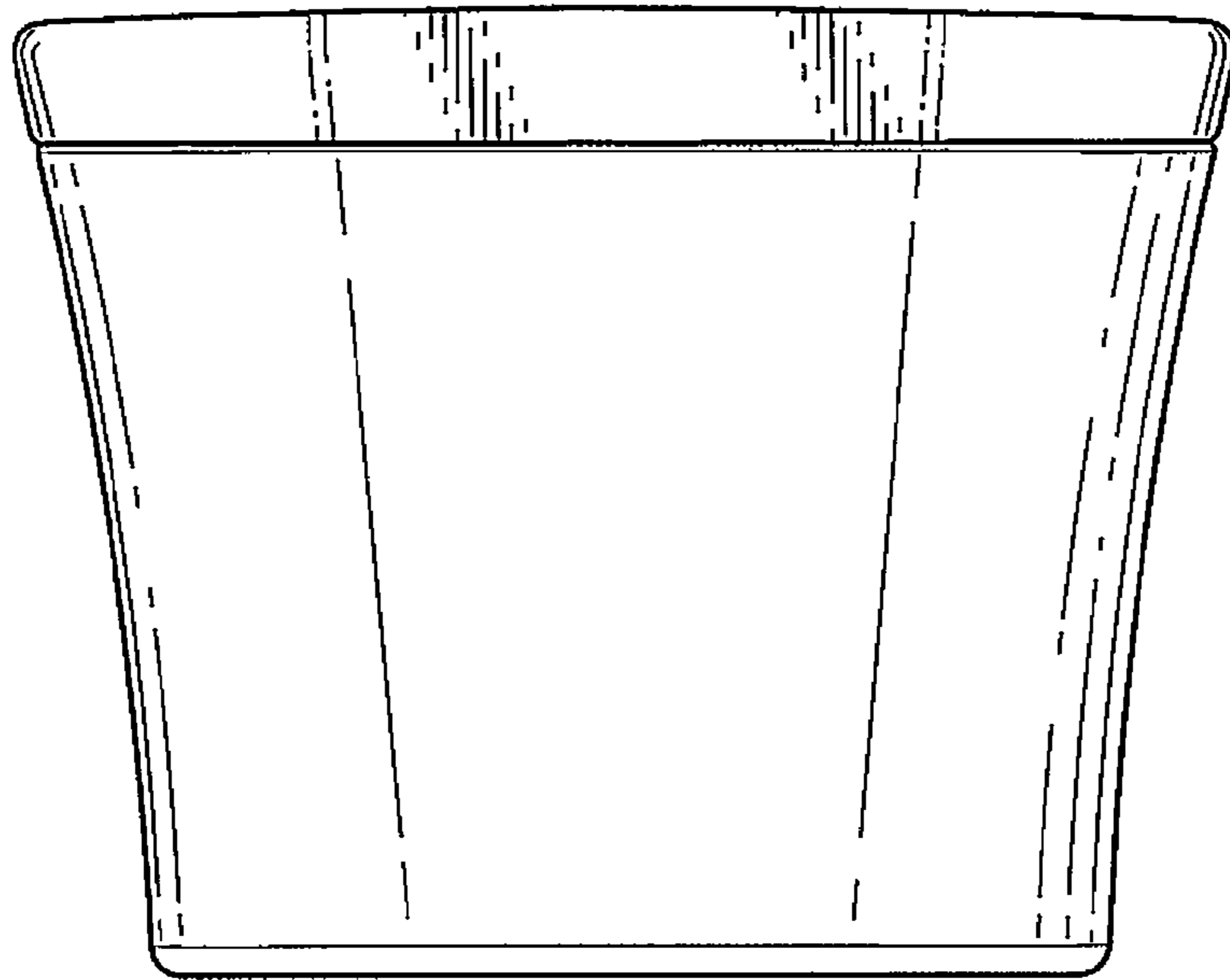


Fig-4

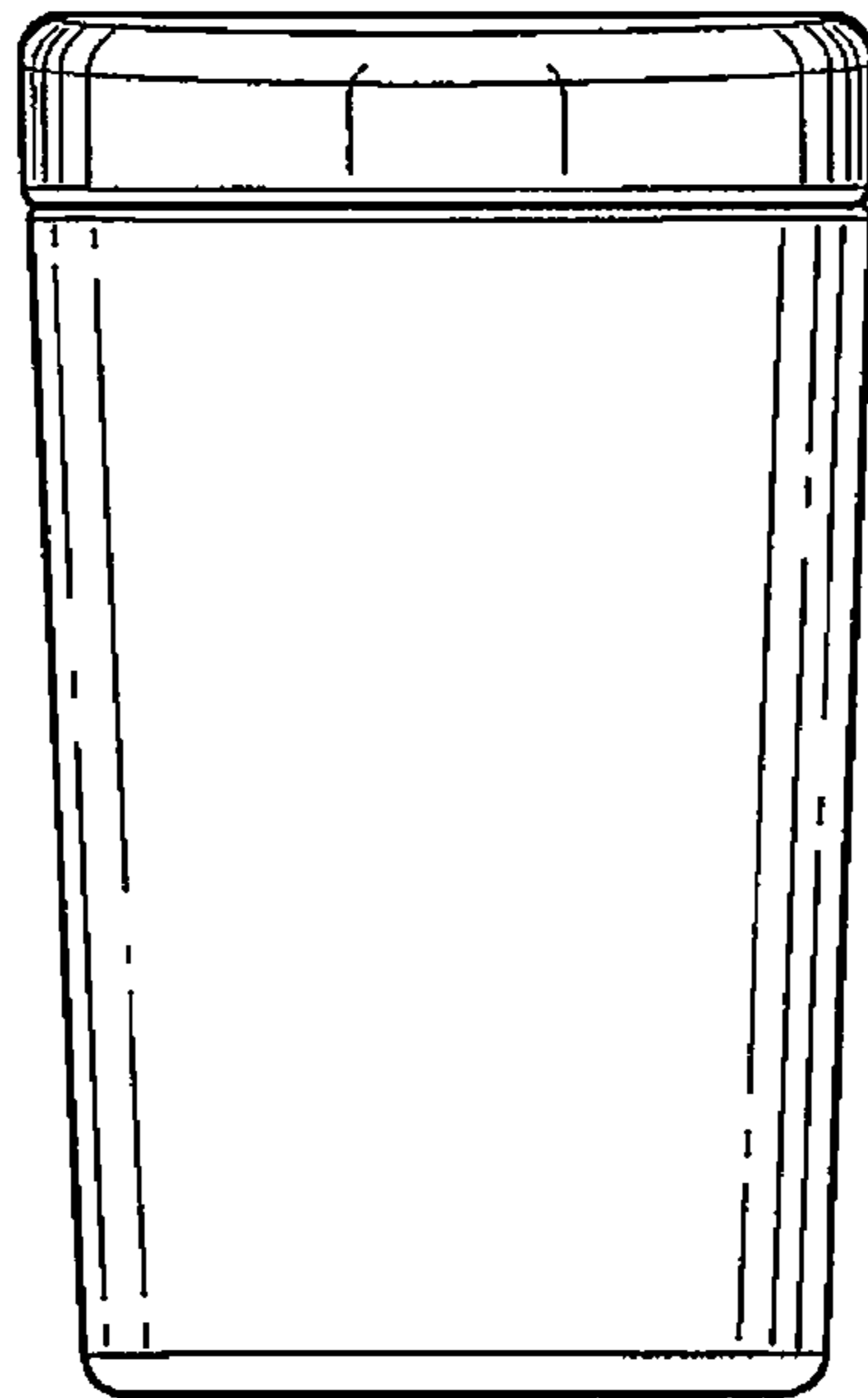


Fig-5