



US00D702819S

(12) **United States Design Patent**  
**Garland et al.**

(10) **Patent No.:** **US D702,819 S**

(45) **Date of Patent:** **\*\* Apr. 15, 2014**

(54) **TOILET**

(71) Applicant: **Masco Corporation of Indiana,**  
Indianapolis, IN (US)

(72) Inventors: **Celine Kwok Garland,** Indianapolis, IN  
(US); **Anthony Spangler,** Indianapolis,  
IN (US)

(73) Assignee: **Masco Corporation of Indiana,**  
Indianapolis, IN (US)

(\*\*) Term: **14 Years**

(21) Appl. No.: **29/457,223**

(22) Filed: **Jun. 7, 2013**

(51) **LOC (10) Cl.** ..... **23-02**

(52) **U.S. Cl.**  
USPC ..... **D23/301**

(58) **Field of Classification Search**  
USPC ..... D23/295, 301, 303, 309, 313; 4/300,  
4/353, 420

See application file for complete search history.

(56) **References Cited**

U.S. PATENT DOCUMENTS

D406,325 S \* 3/1999 Nagato ..... D23/301  
D672,018 S \* 12/2012 Bucher ..... D23/301

\* cited by examiner

*Primary Examiner* — Robert Delehanty

(74) *Attorney, Agent, or Firm* — Edgar A. Zarins; Nirav D.  
Parikh

(57) **CLAIM**

The ornamental design for a toilet, as shown and described.

**DESCRIPTION**

FIG. 1 is a perspective view of a toilet showing our new design;

FIG. 2 is a top plan view thereof;

FIG. 3 is a rear view thereof;

FIG. 4 is a front view thereof;

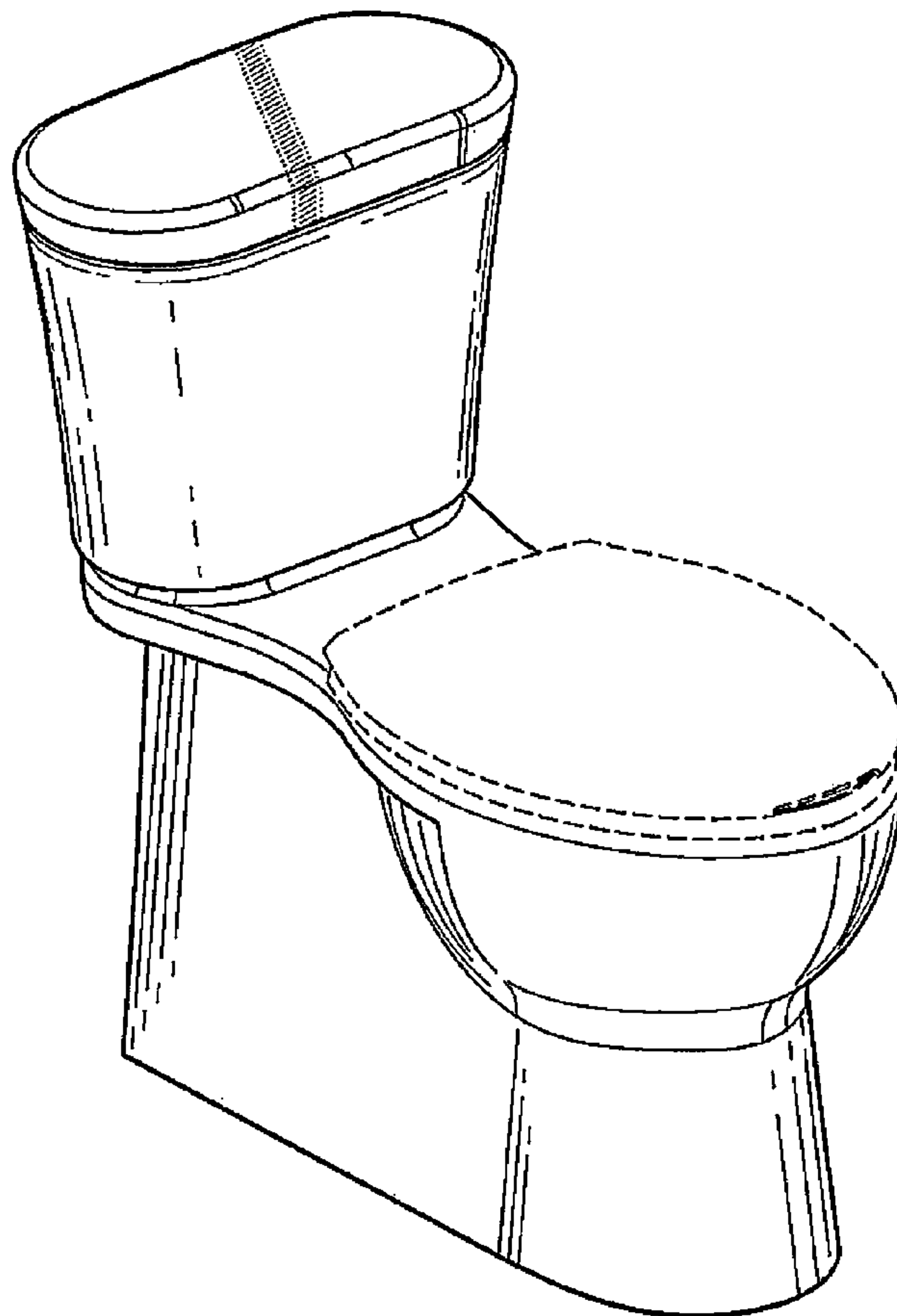
FIG. 5 is a bottom view thereof;

FIG. 6 is a right side view thereof; and,

FIG. 7 is a left side view thereof.

The broken line showing a toilet seat is included for the purpose of illustrating a portion of the toilet that forms no part of the claimed design.

**1 Claim, 3 Drawing Sheets**



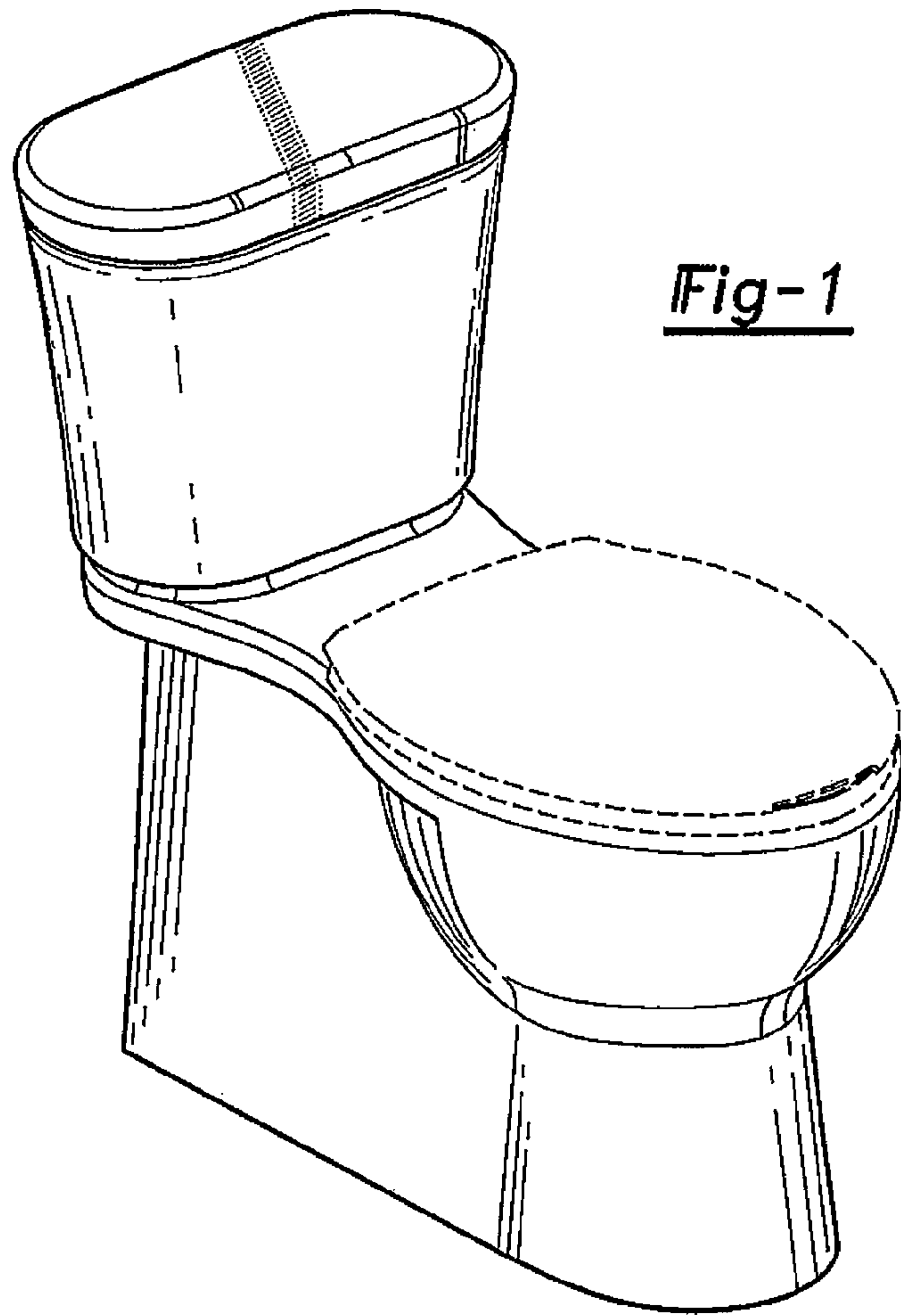


Fig-1

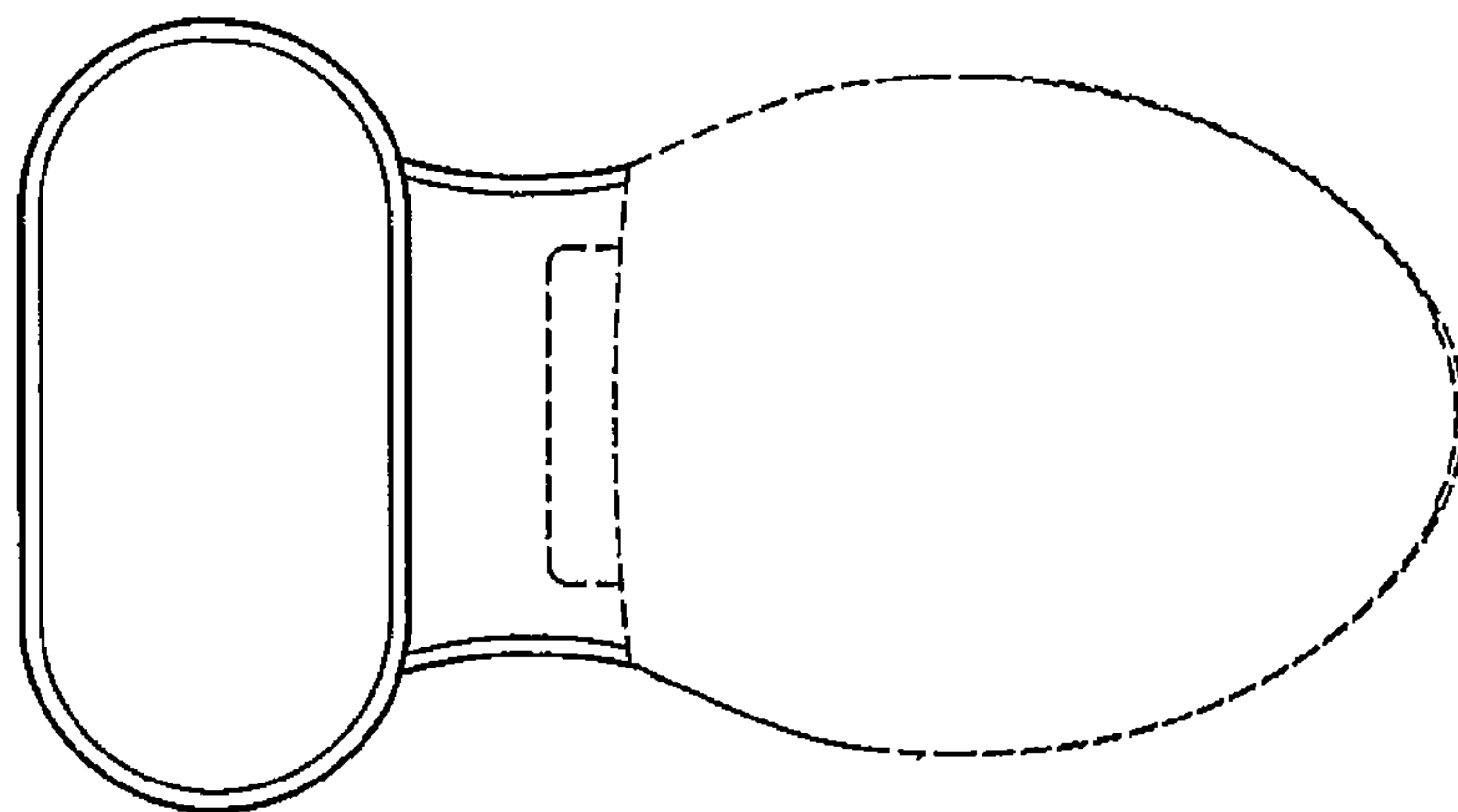


Fig-2

Fig-3

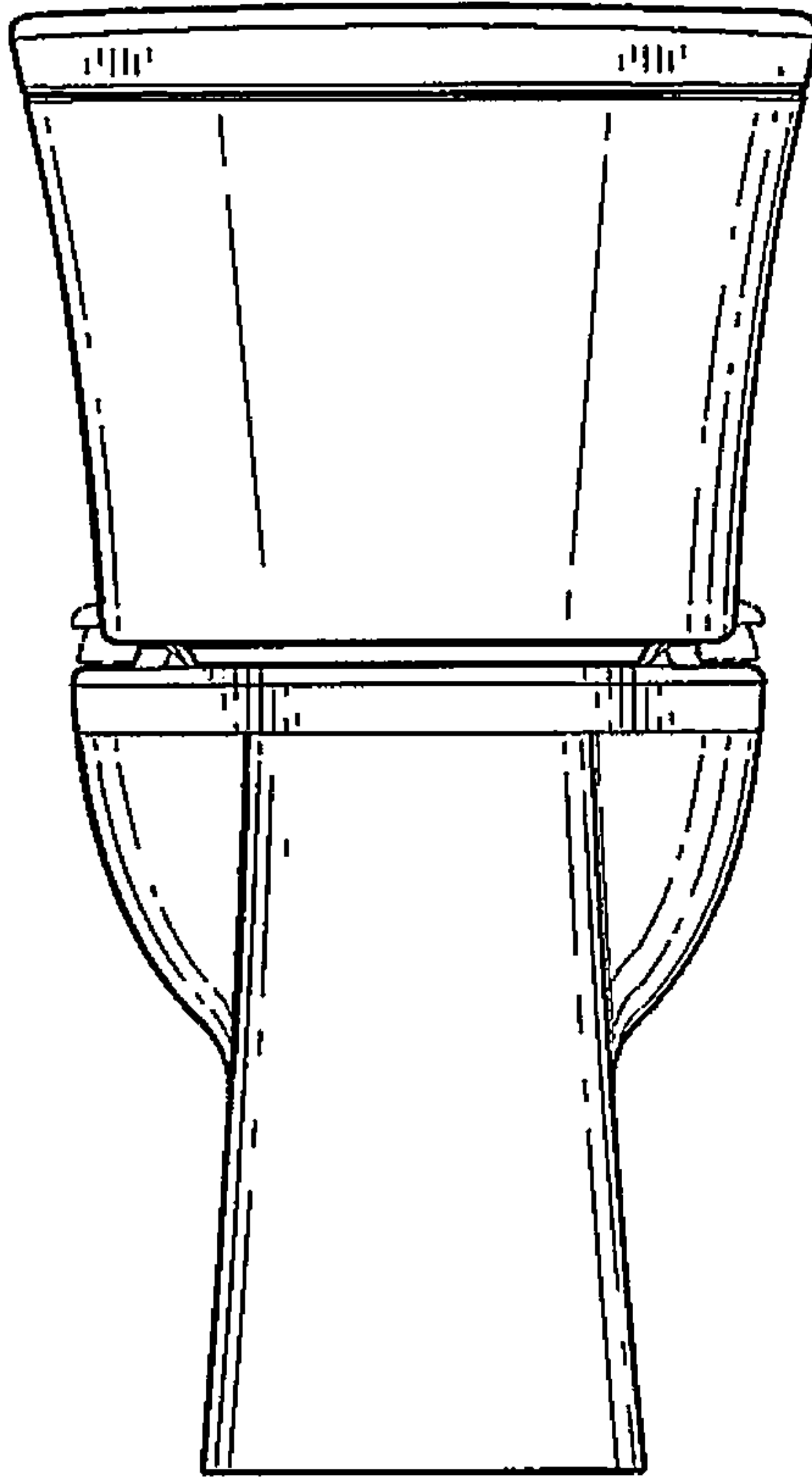


Fig-4

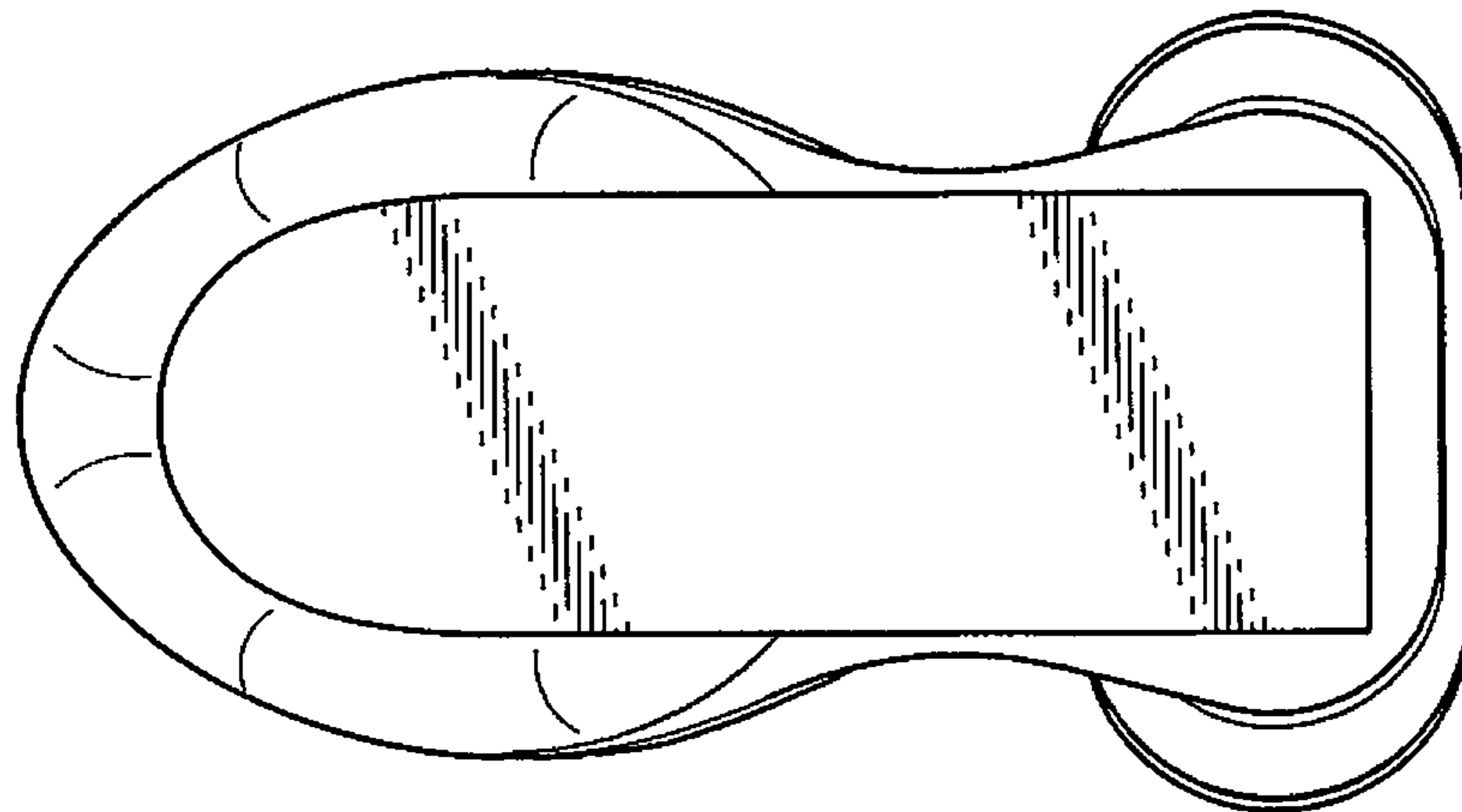
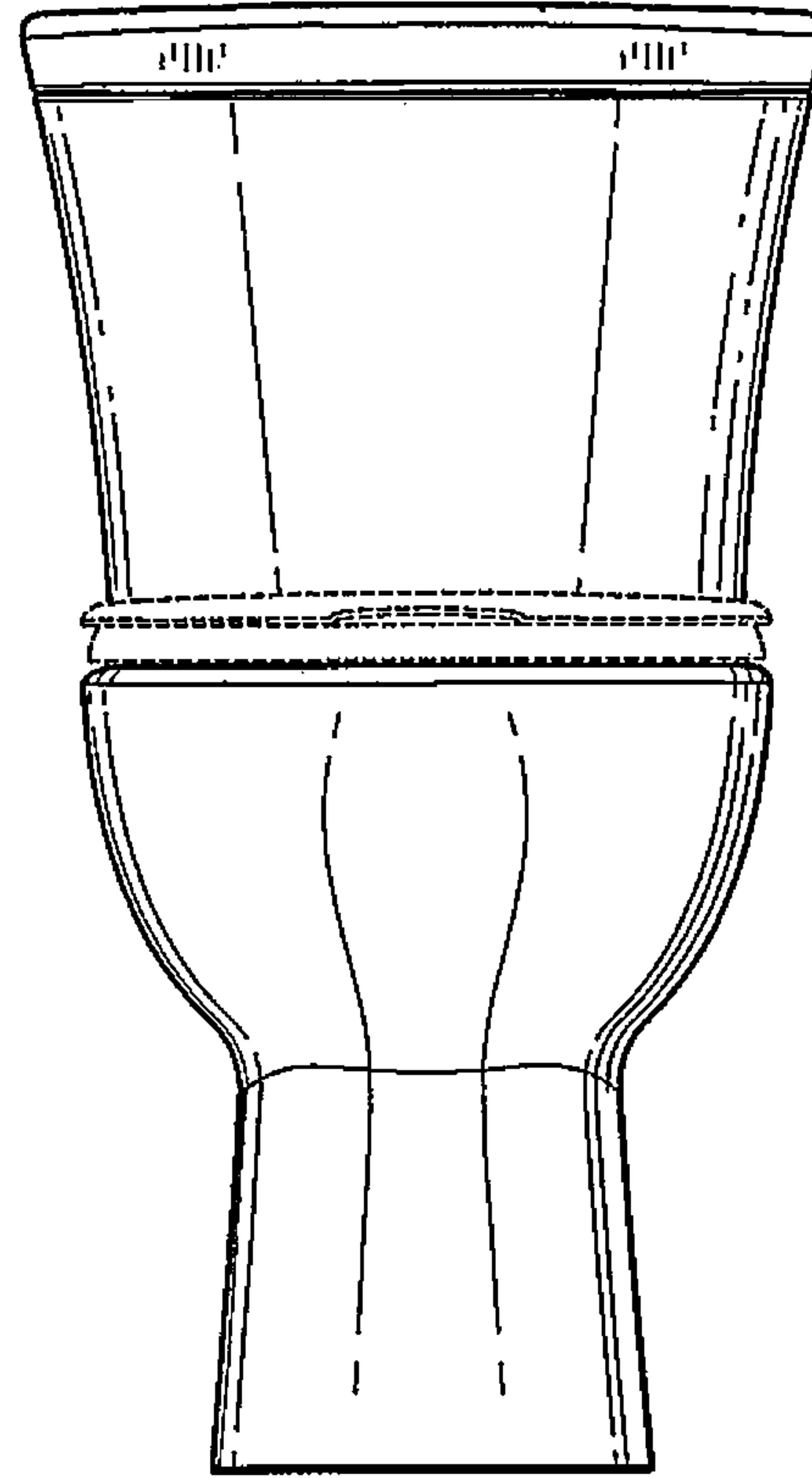


Fig-5

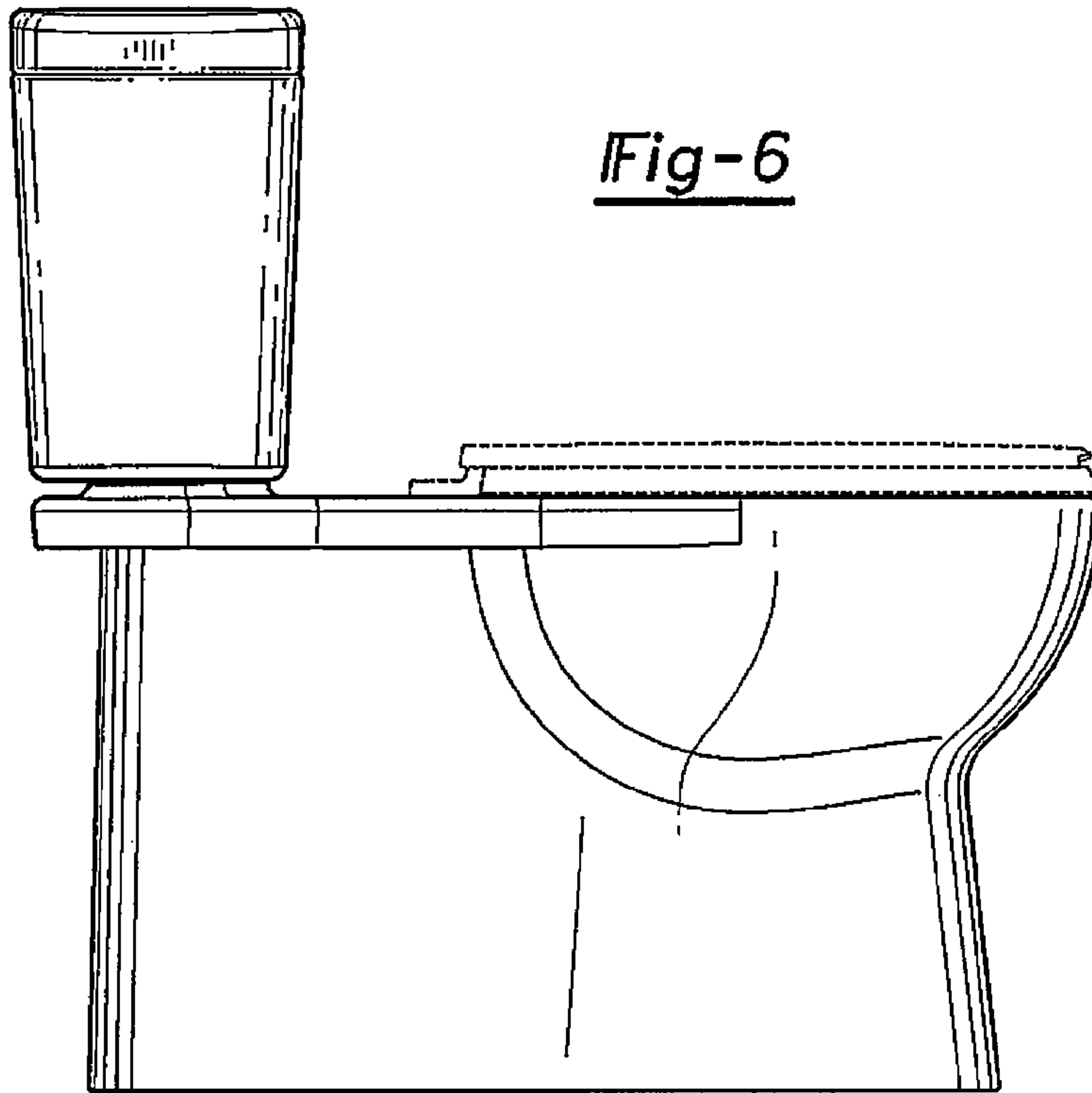


Fig-6

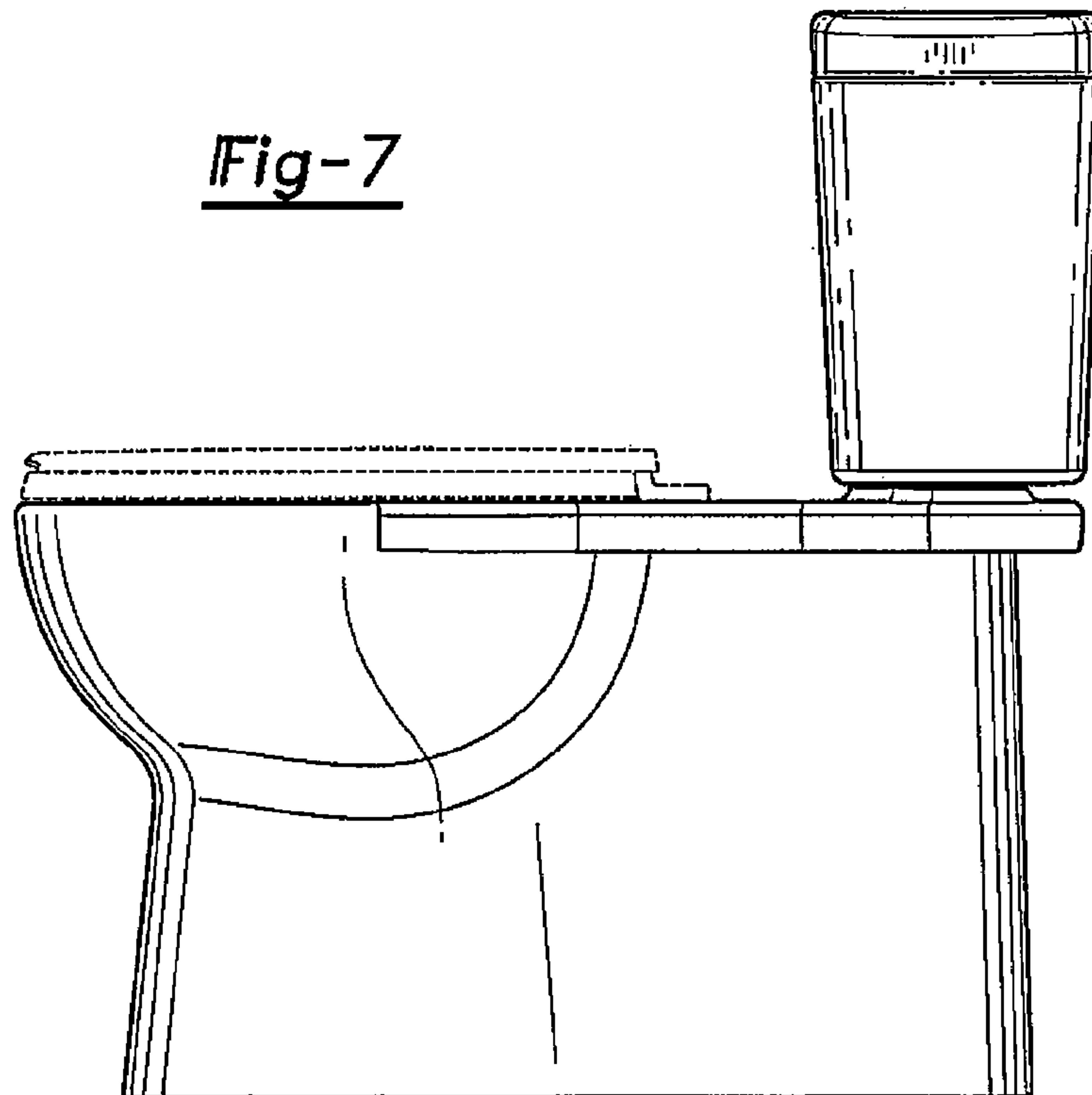


Fig-7