



US00D702818S

(12) **United States Design Patent**
Chandran

(10) **Patent No.:** **US D702,818 S**
(45) **Date of Patent:** **** Apr. 15, 2014**

(54) **FLUID DELIVERY DEVICE BODY PORTION**

D522,618 S * 6/2006 Matsushita D23/245
7,404,415 B2 * 7/2008 Jacobs et al. 137/624.11
D604,183 S * 11/2009 Zore et al. D10/40

(71) Applicants: **Robert Bosch Tool Corporation**,
Broadview, IL (US); **Robert Bosch**
GmbH, Stuttgart (DE)

* cited by examiner

(72) Inventor: **Anand Chandran**, Dunlap, IL (US)

Primary Examiner — Ian Simmons

Assistant Examiner — Richelle G Shelton

(73) Assignee: **Robert Bosch GmbH**, Stuttgart (DE)

(74) *Attorney, Agent, or Firm* — Maginot, Moore & Beck

(**) Term: **14 Years**

(57) **CLAIM**

The ornamental design for a fluid delivery device body portion, as shown and described.

(21) Appl. No.: **29/434,638**

DESCRIPTION

(22) Filed: **Oct. 15, 2012**

(51) **LOC (10) Cl.** **23-01**

(52) **U.S. Cl.**
USPC **D23/245**

(58) **Field of Classification Search**
USPC D10/40; D13/162; D14/218; D15/7-9;
D23/245, 246; D24/108, 111, 129,
D24/169, 186; 128/DIG. 12, DIG. 13;
137/624.11-624.16; 239/67-70;
604/67, 151-155, 246, 248;
700/282-284

FIG. 1 is a left side perspective view of a fluid delivery device body portion showing my new design;
FIG. 2 is a right side perspective view showing the design for the fluid delivery device body portion of FIG. 1;
FIG. 3 is a front elevational view showing the design for the fluid delivery device body portion of FIG. 1;
FIG. 4 is a rear elevational view showing the design for the fluid delivery device body portion of FIG. 1;
FIG. 5 is a left side elevational view showing the design for the fluid delivery device body portion of FIG. 1;
FIG. 6 is a right side elevational view showing the design for the fluid delivery device body portion of FIG. 1;
FIG. 7 is a top plan view showing the design for the fluid delivery device body portion of FIG. 1; and,
FIG. 8 is a bottom plan view showing the design for the fluid delivery device body portion of FIG. 1.

See application file for complete search history.

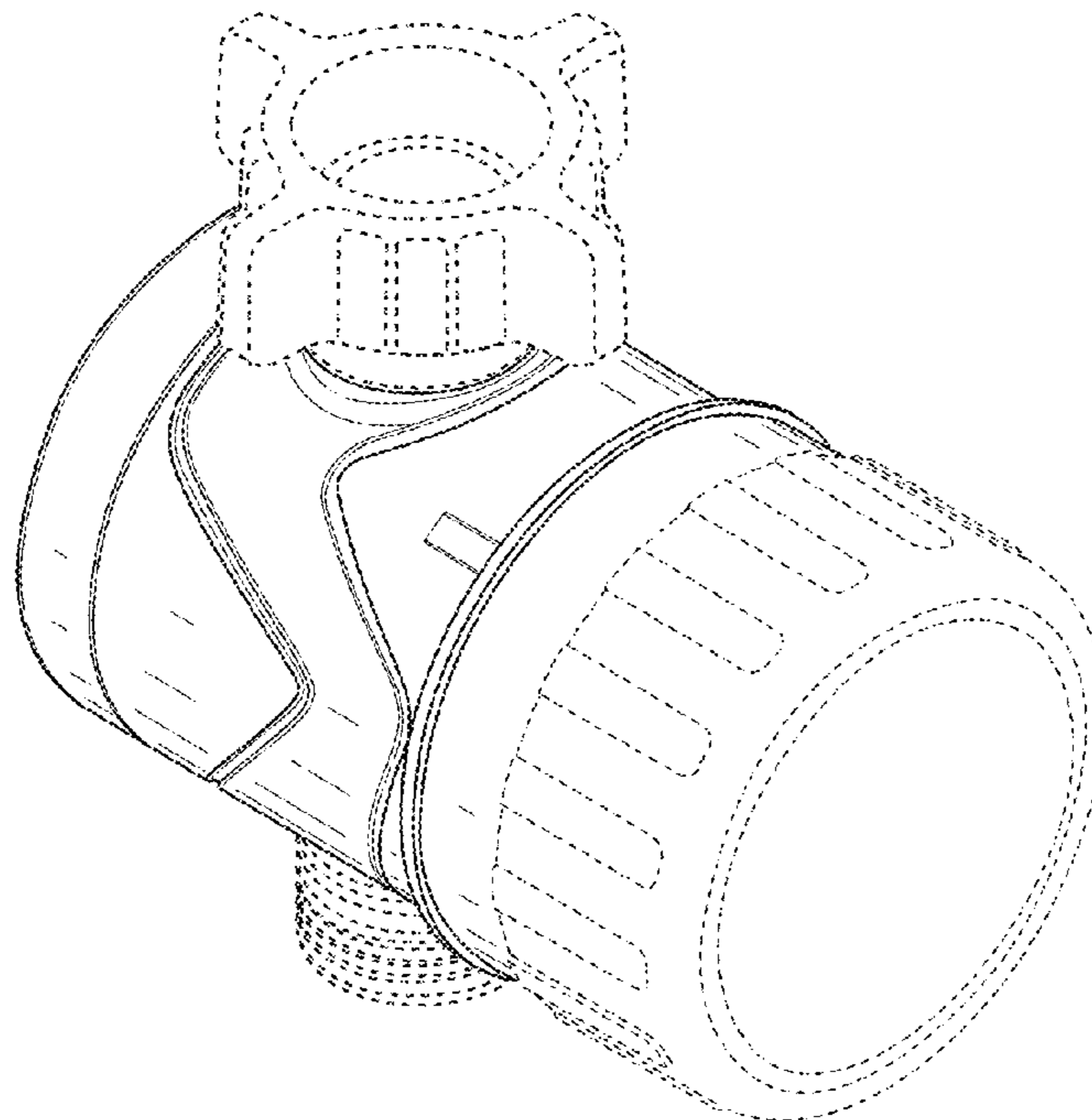
The broken lines shown in the drawings illustrate portions of the fluid delivery device body portion that form no part of the claimed design.

(56) **References Cited**

U.S. PATENT DOCUMENTS

D210,944 S * 5/1968 Tuthill et al. D23/235
D309,175 S * 7/1990 Hastings et al. D23/245
D348,506 S * 7/1994 Stachowiak D23/245
D386,985 S * 12/1997 Cameron D10/40

1 Claim, 8 Drawing Sheets



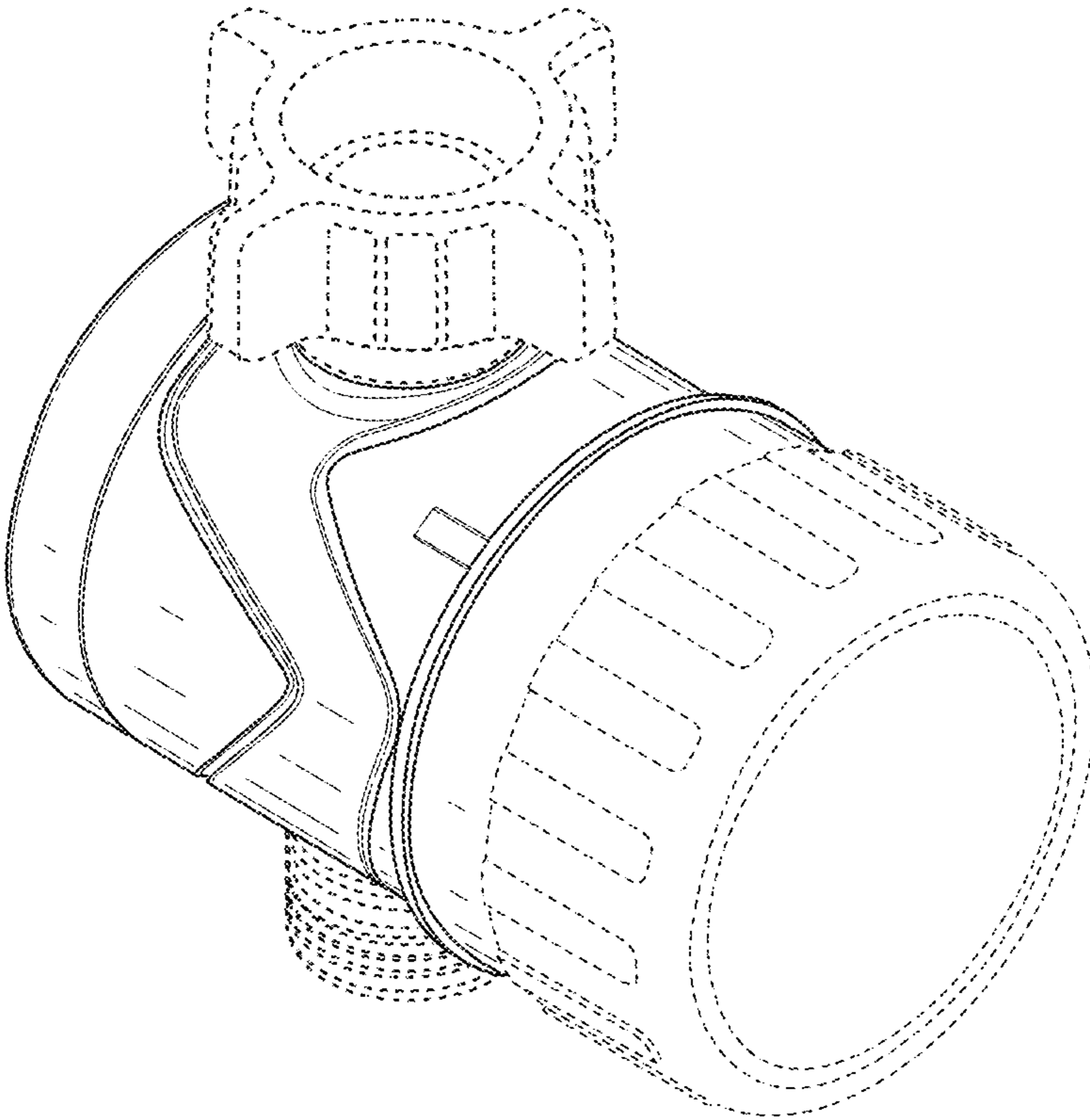


FIG. 1

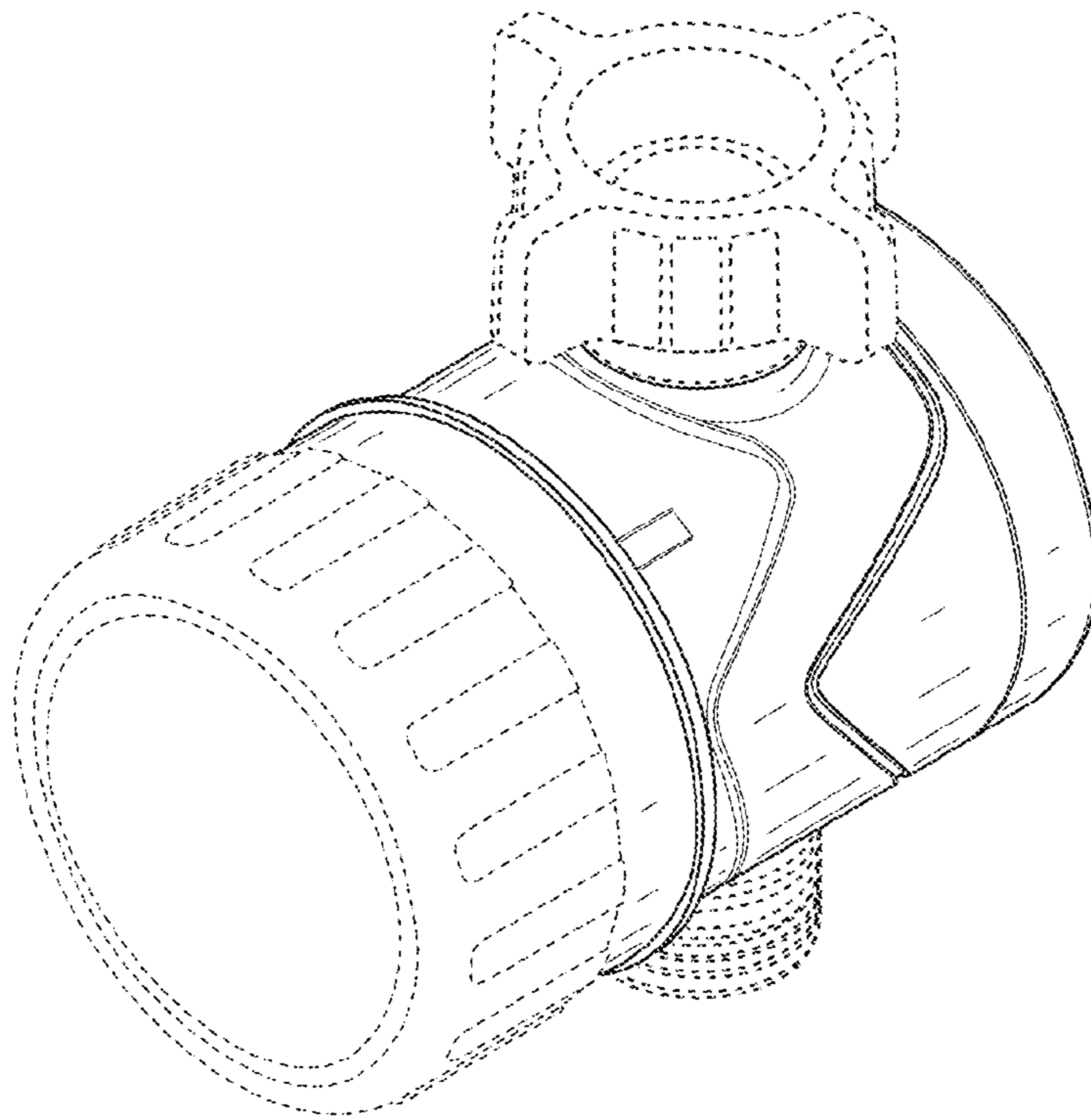


FIG. 2

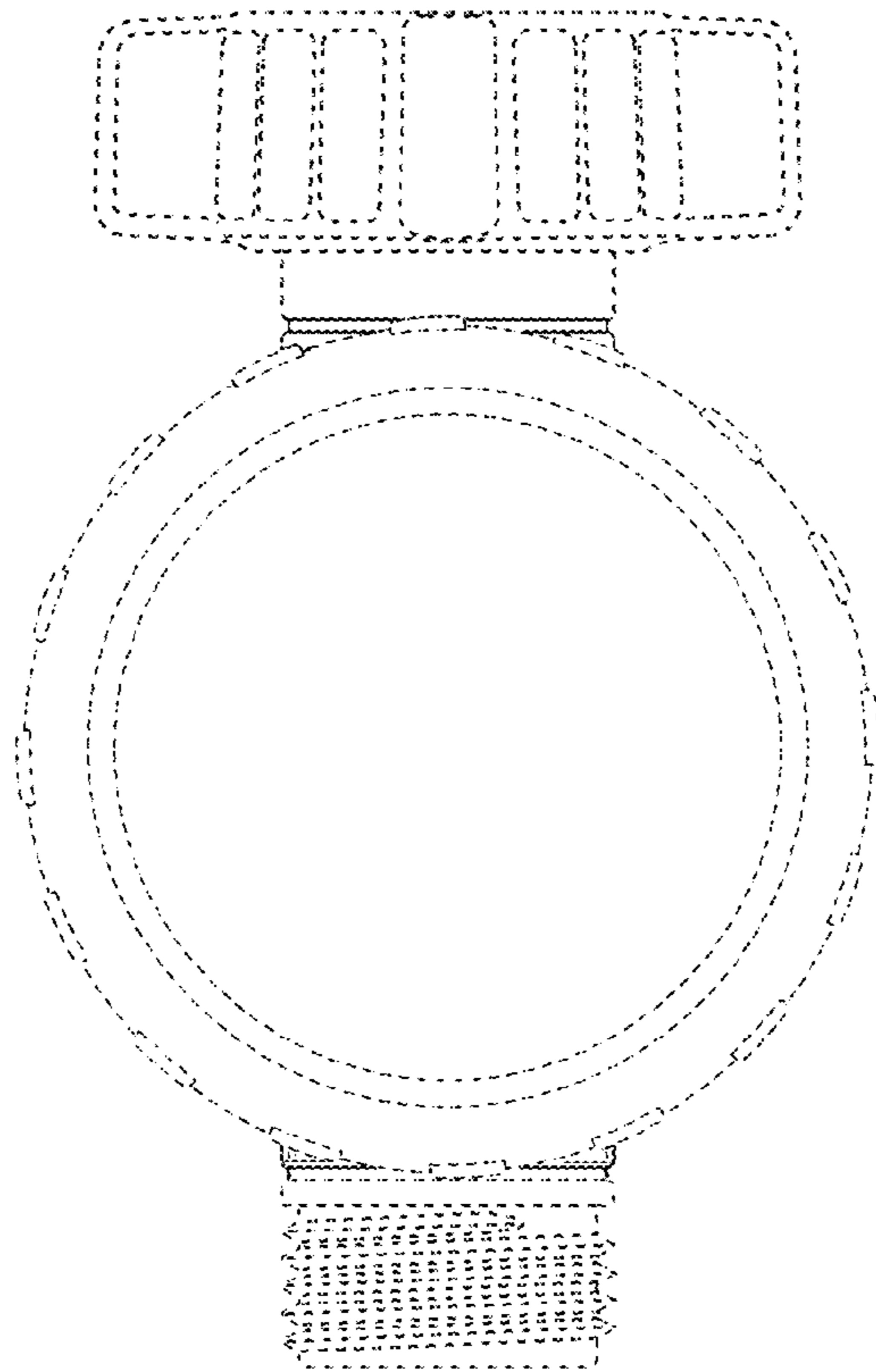


FIG. 3

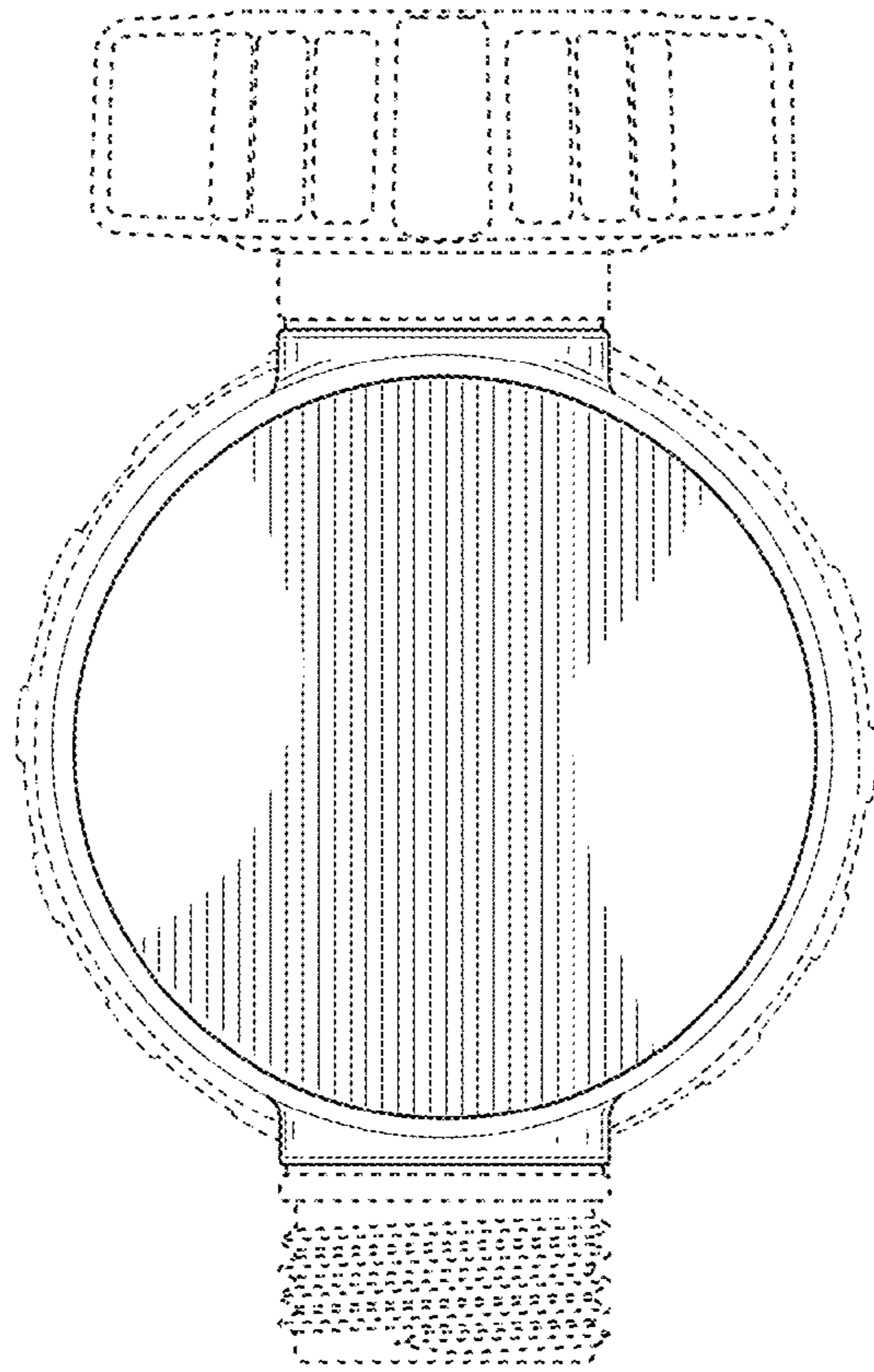


FIG. 4

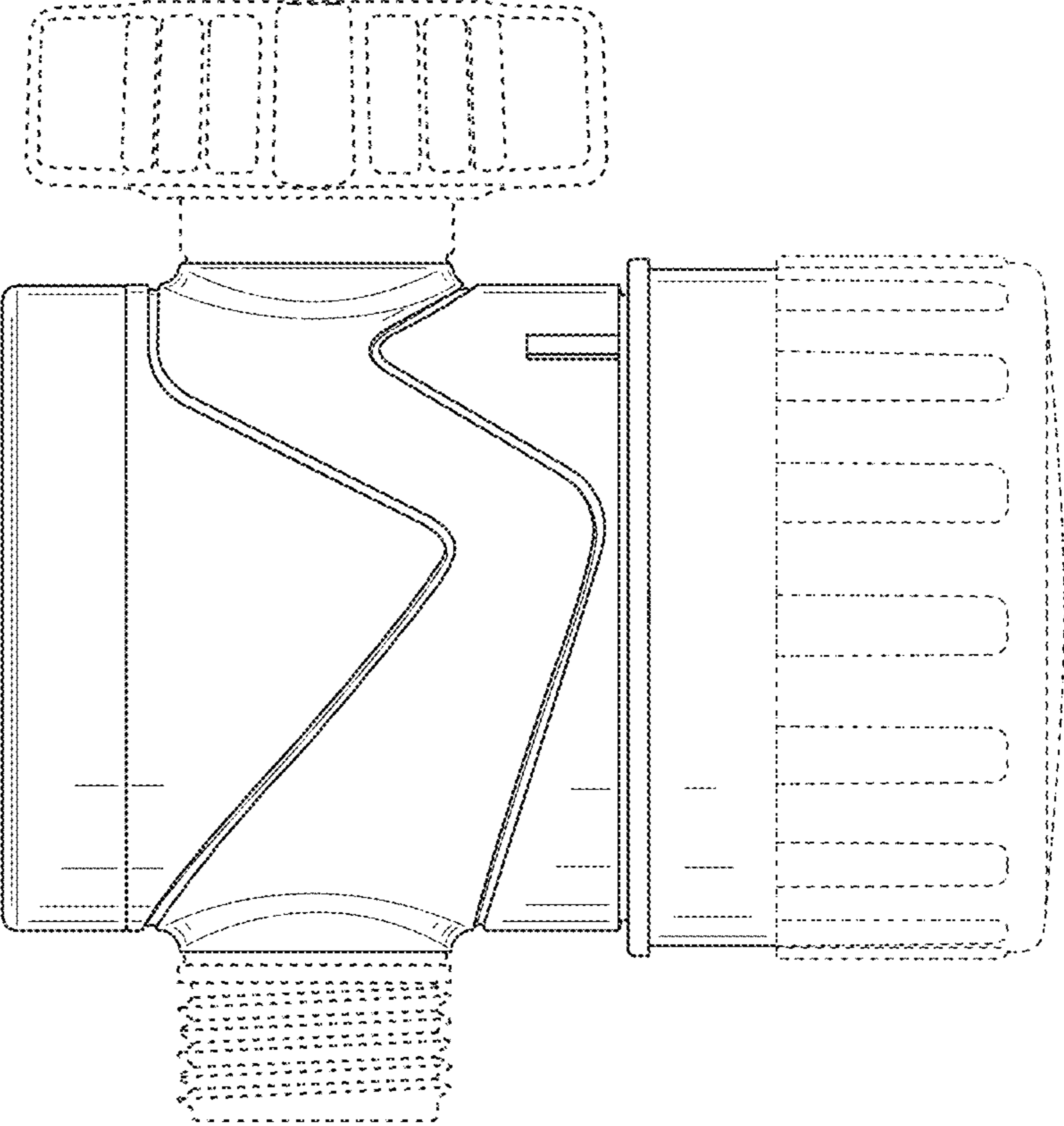


FIG. 5

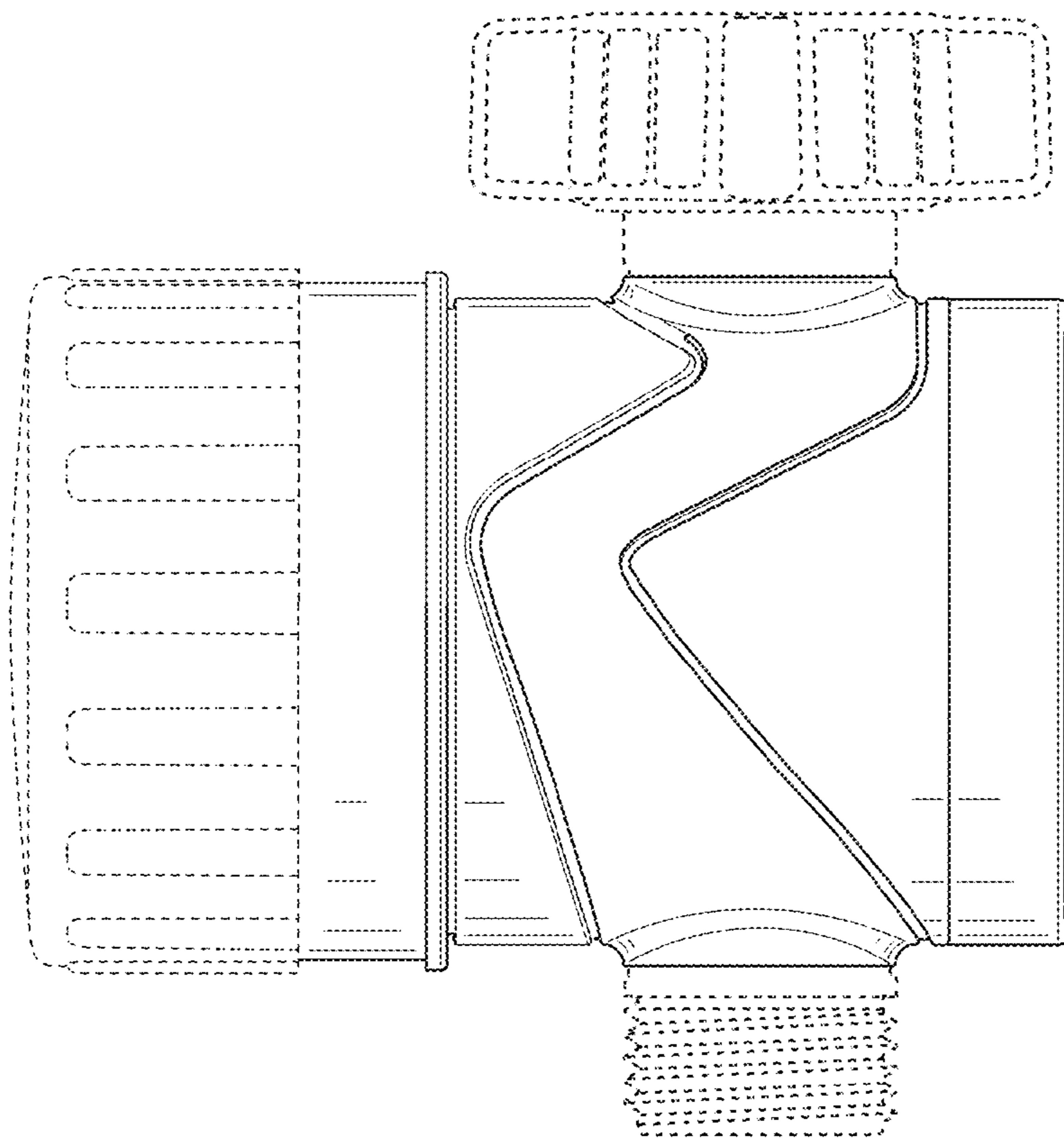


FIG. 6

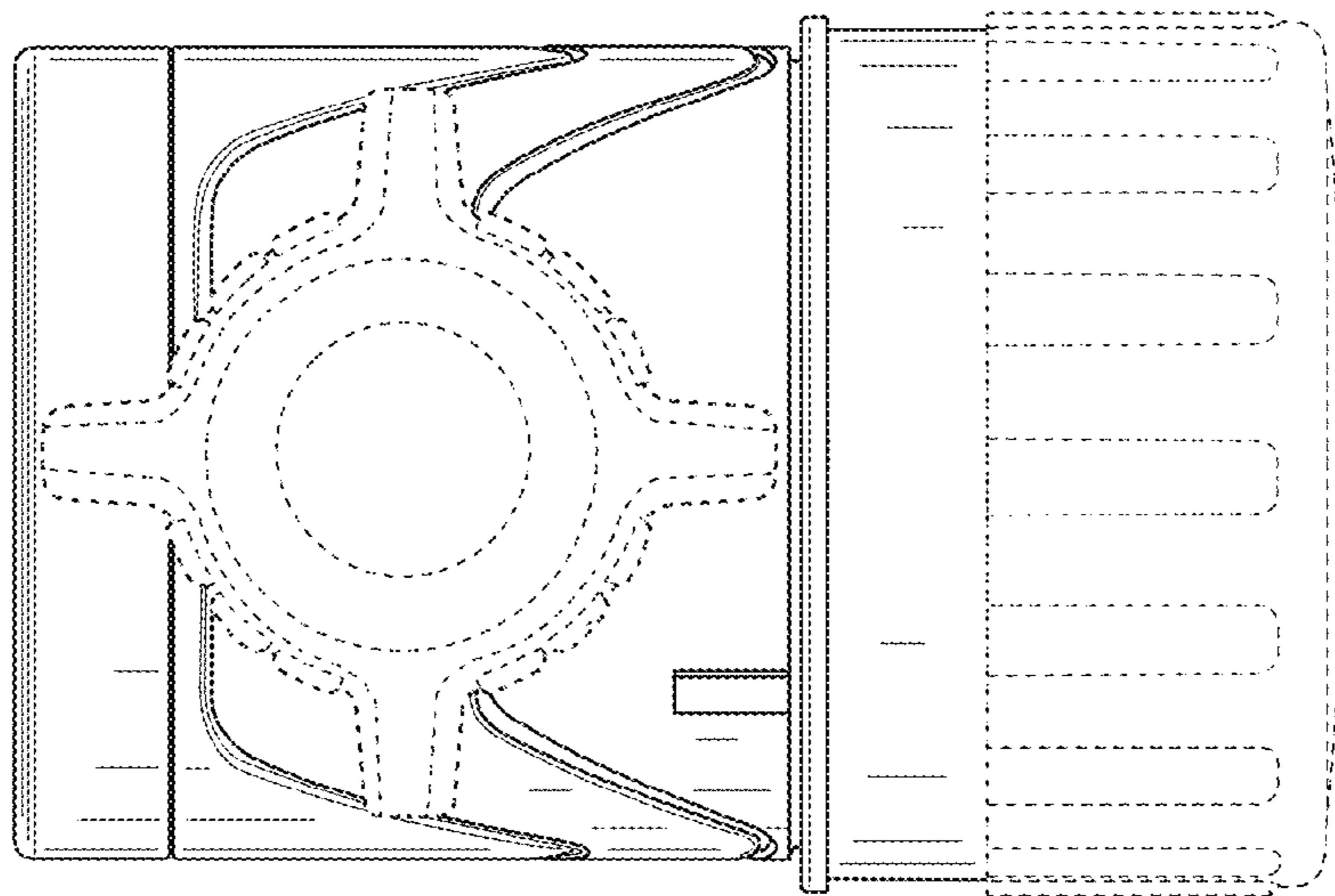


FIG. 7

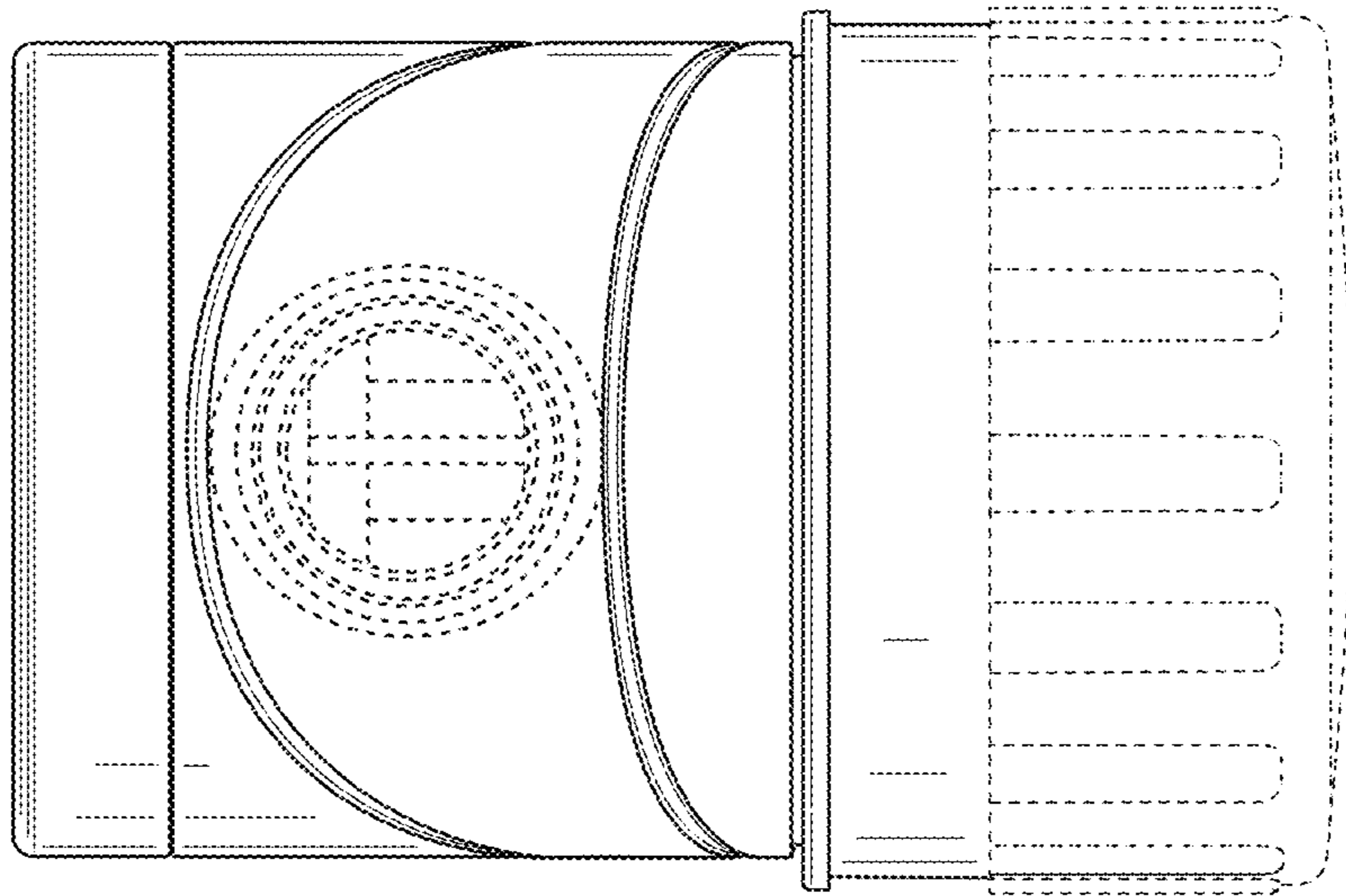


FIG. 8