



US00D702817S

(12) **United States Design Patent**
Ryu

(10) **Patent No.:** **US D702,817 S**
(45) **Date of Patent:** **** Apr. 15, 2014**

(54) **WALL MOUNTED SHOWER PANEL SET WITH SHOWER PIPE**

D593,183 S * 5/2009 Mitrani D23/228
D612,453 S * 3/2010 Schoenherr et al. D23/228
D648,825 S * 11/2011 Ando et al. D23/228

(71) Applicant: **Cebien Co., Ltd.**, Gyeonggi-do (KR)

* cited by examiner

(72) Inventor: **In Shik Ryu**, Gyeonggi-do (KR)

Primary Examiner — Robin V Webster

(73) Assignee: **Cebien Co., Ltd.**, Gyeonggi-do (KR)

(74) *Attorney, Agent, or Firm* — Rabin & Berdo, P.C.

(**) Term: **14 Years**

(21) Appl. No.: **29/446,159**

(22) Filed: **Feb. 21, 2013**

(51) **LOC (10) Cl.** **23-01**

(52) **U.S. Cl.**
USPC **D23/228; D23/304**

(58) **Field of Classification Search**
USPC D23/213, 229, 230, 228, 304; D6/525;
239/289; 4/597, 605, 612
See application file for complete search history.

(56) **References Cited**

U.S. PATENT DOCUMENTS

D405,877 S * 2/1999 Larsson D23/304
D540,923 S * 4/2007 Starck D23/304

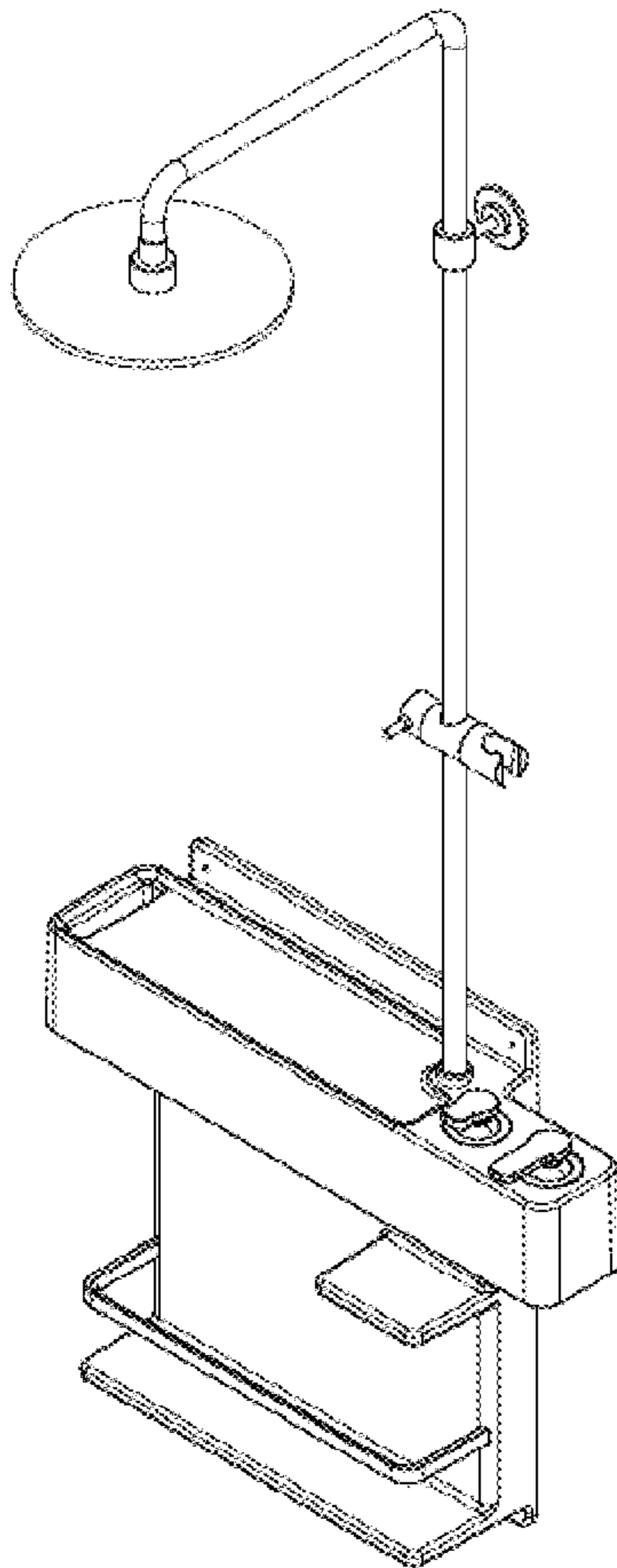
(57) **CLAIM**

I claim the ornamental design for a wall mounted shower panel set with shower pipe, as shown and described.

DESCRIPTION

FIG. 1 is a perspective view of a wall mounted shower panel set with shower pipe showing my new design;
FIG. 2 is a front elevational view thereof;
FIG. 3 is a rear elevational view thereof;
FIG. 4 is a left side view thereof;
FIG. 5 is a right side view thereof;
FIG. 6 is a top view thereof; and,
FIG. 7 is a bottom view thereof.

1 Claim, 6 Drawing Sheets



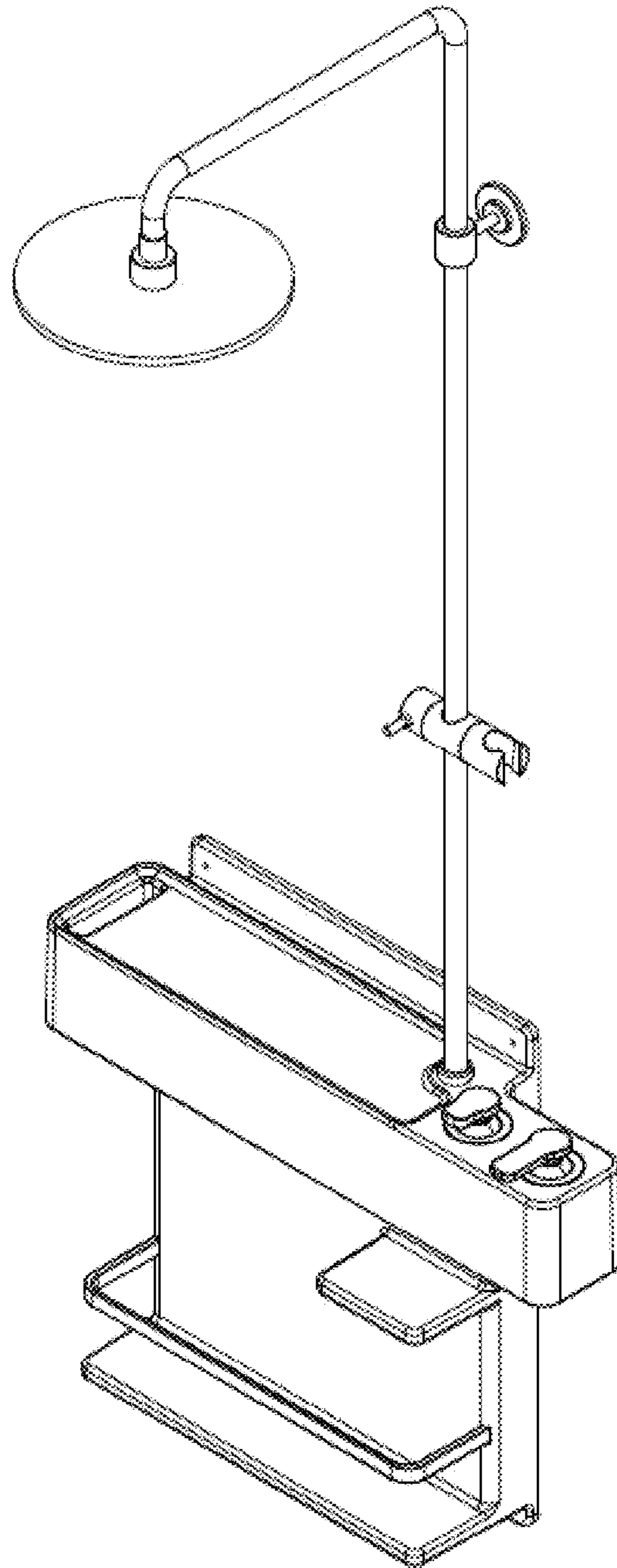


FIG. 1

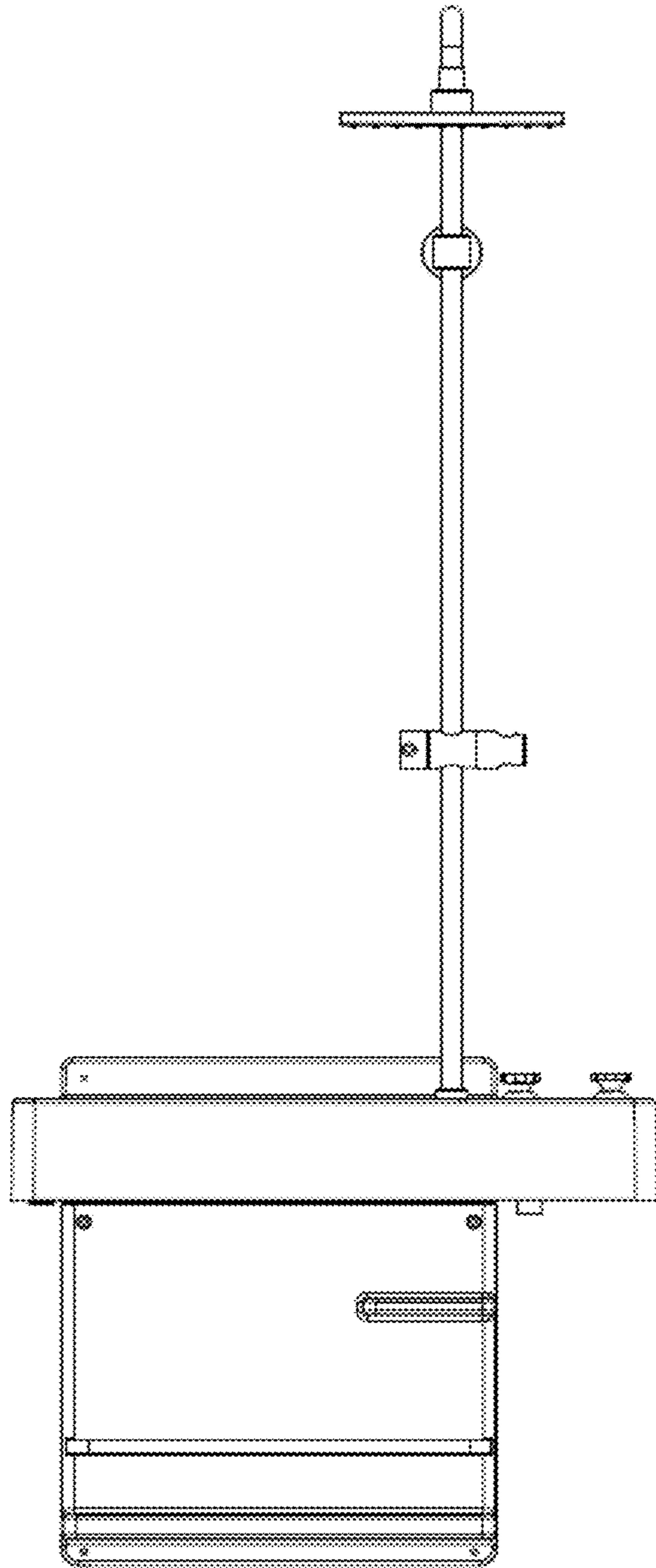


FIG. 2

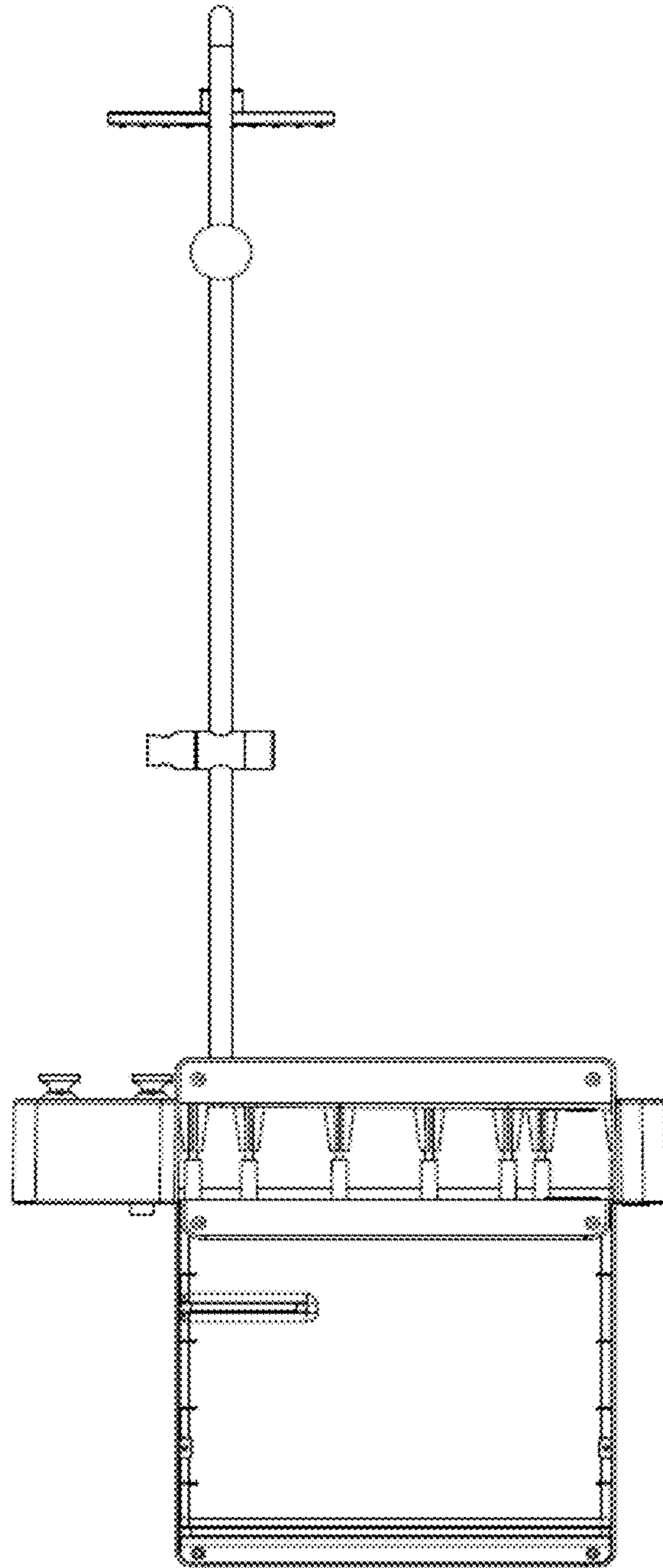


FIG. 3

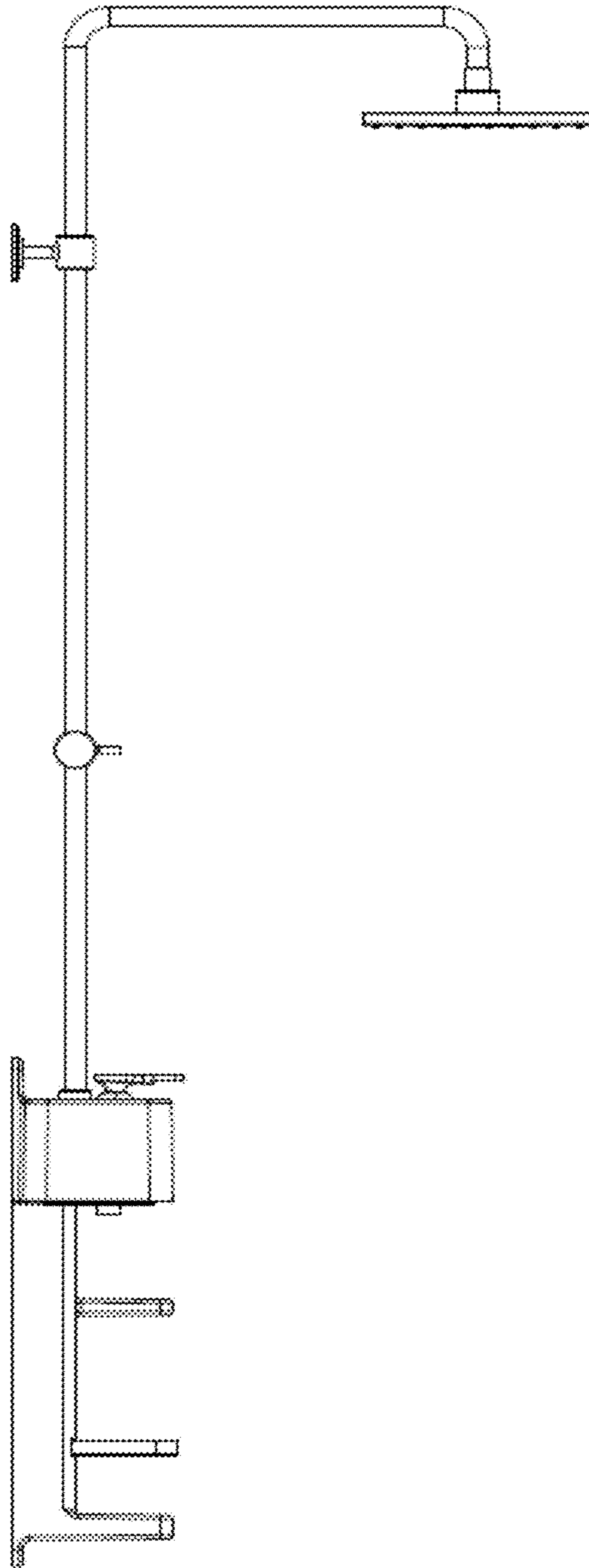


FIG. 4

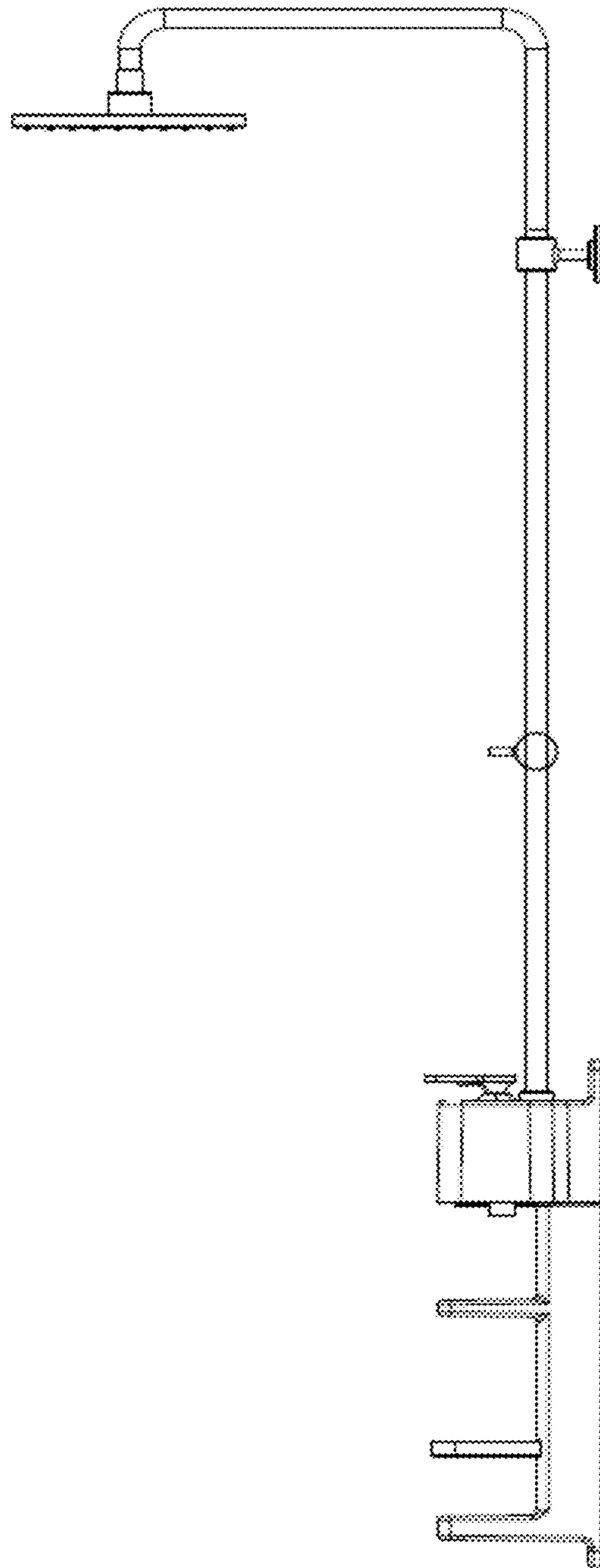


FIG. 5

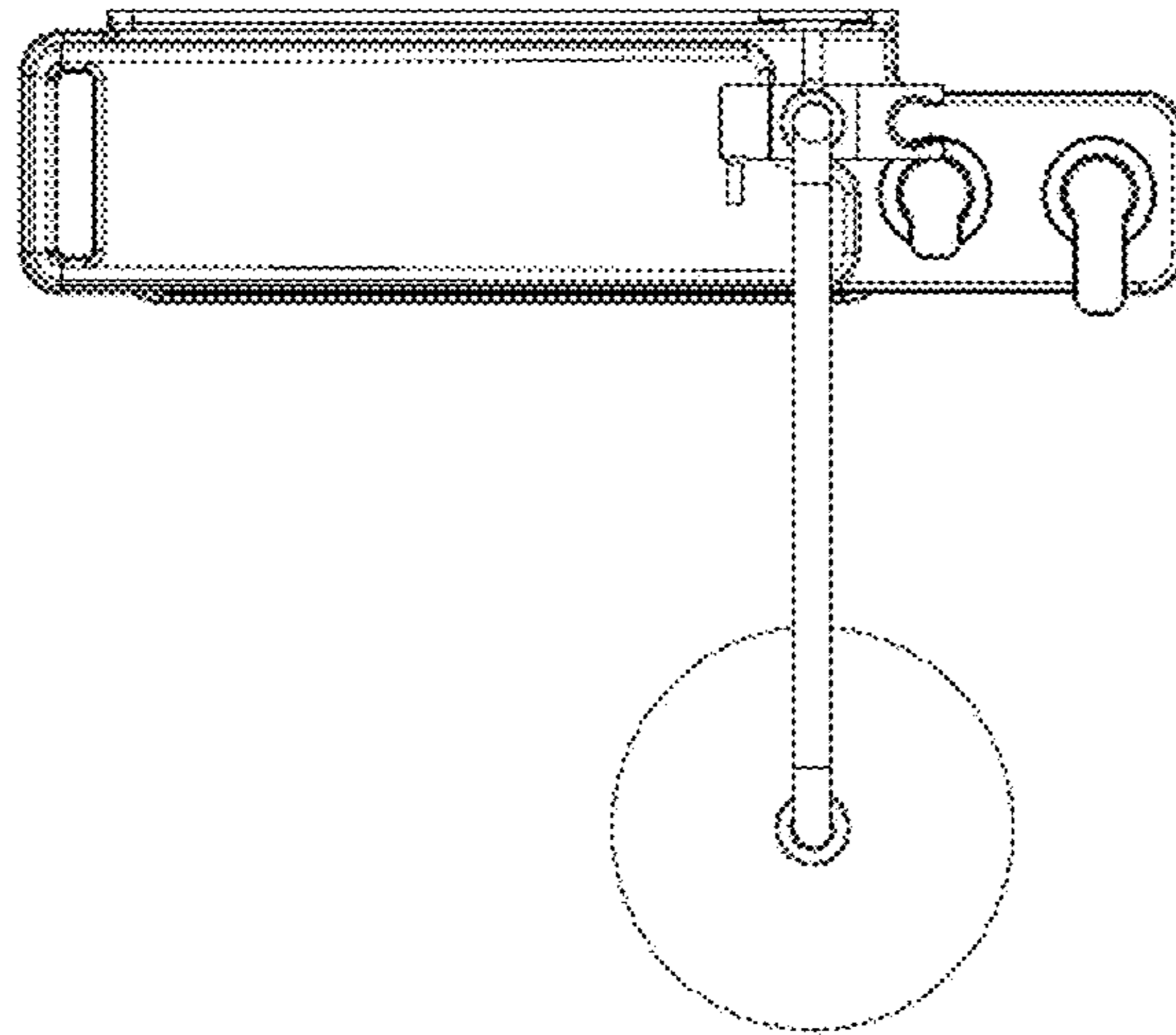


FIG. 6

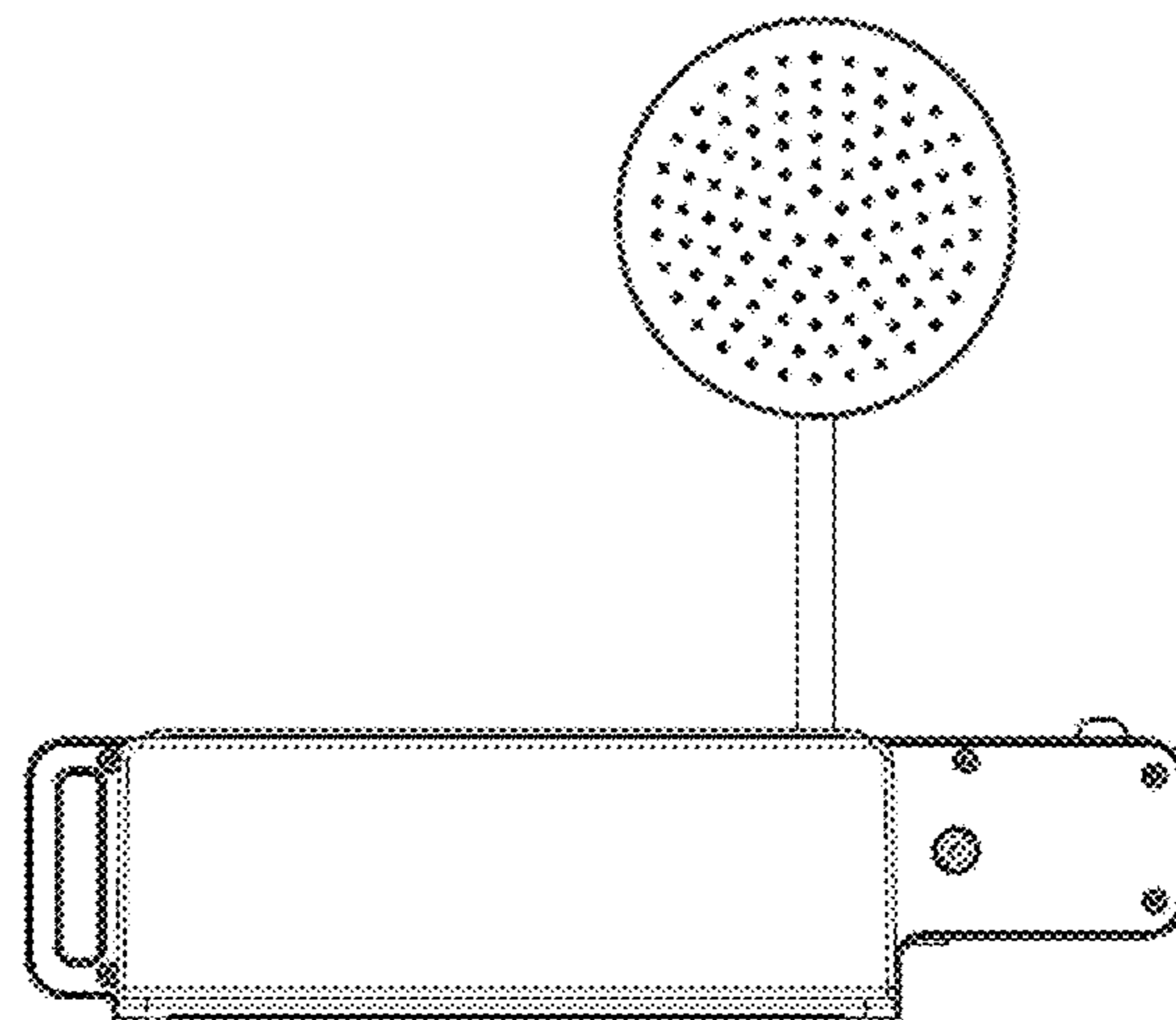


FIG. 7