



US00D702816S

(12) **United States Design Patent**  
**Ryu**

(10) **Patent No.:** **US D702,816 S**  
(45) **Date of Patent:** **\*\* Apr. 15, 2014**

(54) **WALL MOUNTED SHOWER PANEL SET WITH MIRROR AND SHELVES**

(71) Applicant: **Cebien Co., Ltd.**, Gyeonggi-do (KR)

(72) Inventor: **In Shik Ryu**, Gyeonggi-do (KR)

(73) Assignee: **Cebien Co., Ltd.**, Gyeonggi-do (KR)

(\*\*) Term: **14 Years**

(21) Appl. No.: **29/438,142**

(22) Filed: **Nov. 27, 2012**

(51) **LOC (10) Cl.** ..... **23-01**

(52) **U.S. Cl.**  
USPC ..... **D23/228**; D6/525

(58) **Field of Classification Search**  
USPC ..... D23/213, 229, 230, 228, 304; D6/525;  
239/289; 4/597, 605, 612  
See application file for complete search history.

(56) **References Cited**

**U.S. PATENT DOCUMENTS**

D286,599 S \* 11/1986 Sussman ..... D6/525  
4,642,909 A \* 2/1987 Garcia ..... 34/97

D368,128 S \* 3/1996 McCarthy ..... D23/213  
D396,959 S \* 8/1998 Wolff ..... D6/301  
6,149,277 A \* 11/2000 Broussard ..... 359/512  
D537,665 S \* 3/2007 Hart ..... D6/525  
D552,393 S \* 10/2007 Rosen ..... D6/525  
D555,404 S \* 11/2007 Cohen ..... D6/525  
D632,515 S \* 2/2011 Cittadino et al. .... D6/525  
D676,696 S \* 2/2013 Primeau ..... D6/525

\* cited by examiner

*Primary Examiner* — Robin V Webster

(74) *Attorney, Agent, or Firm* — Rabin & Berdo, P.C.

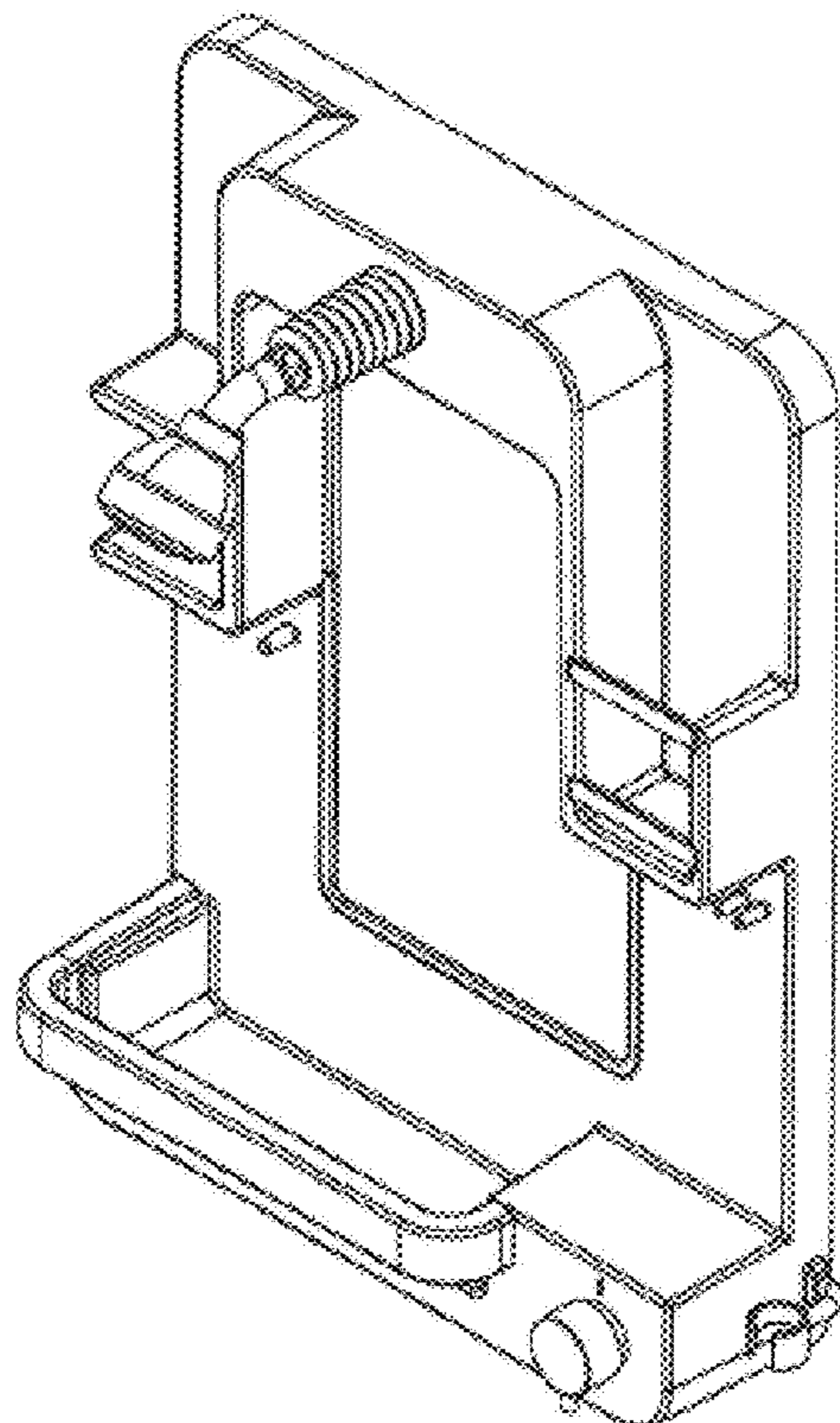
(57) **CLAIM**

I claim the ornamental design for wall mounted shower panel set with mirror and shelves, as shown and described.

**DESCRIPTION**

FIG. 1 is a perspective view of wall mounted shower panel set with mirror and shelves showing my new design;  
FIG. 2 is a front elevational view thereof;  
FIG. 3 is a rear elevational view thereof;  
FIG. 4 is a left side view thereof;  
FIG. 5 is a right side view thereof;  
FIG. 6 is a top view thereof; and,  
FIG. 7 is a bottom view thereof.

**1 Claim, 6 Drawing Sheets**



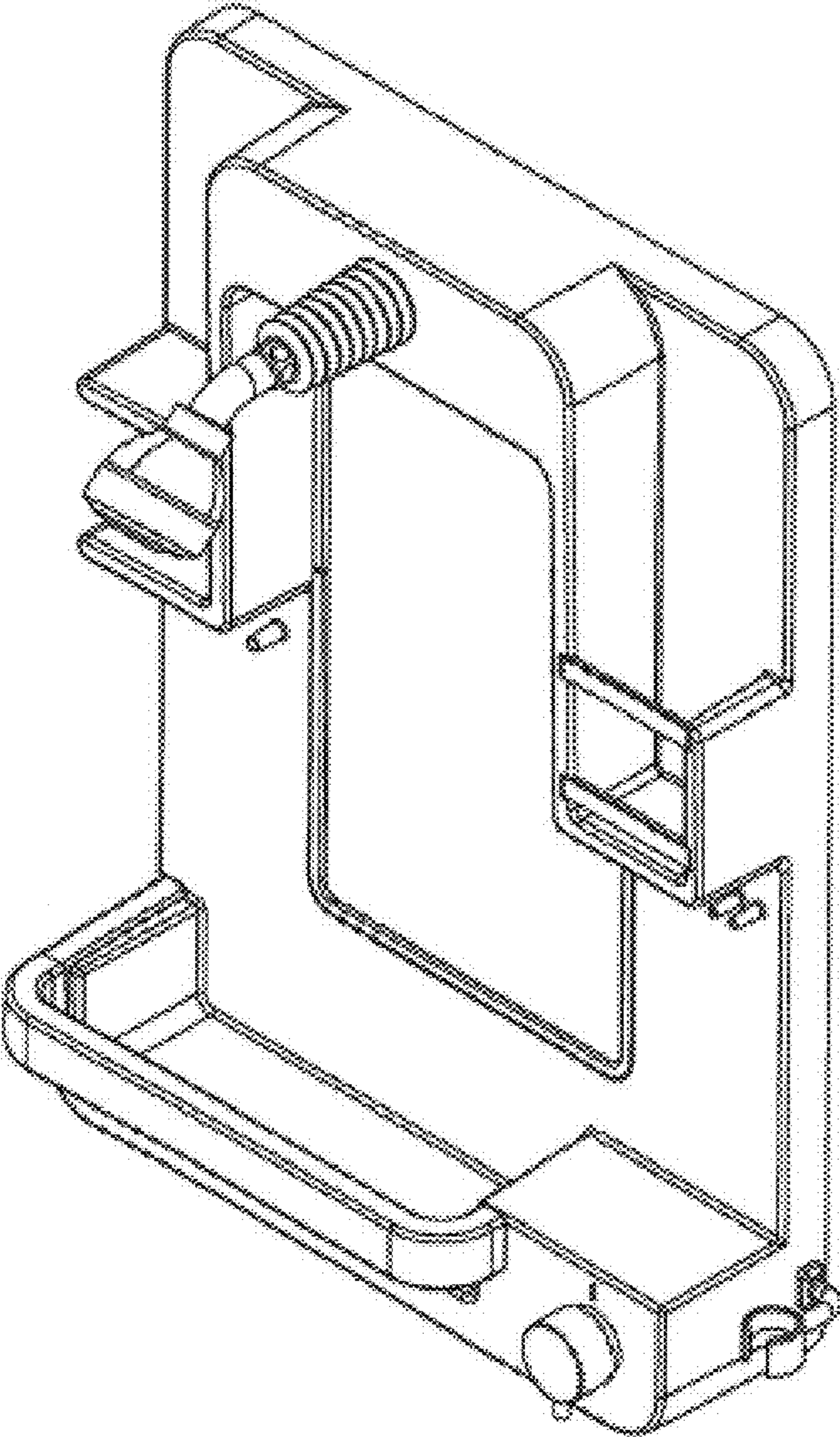


FIG. 1

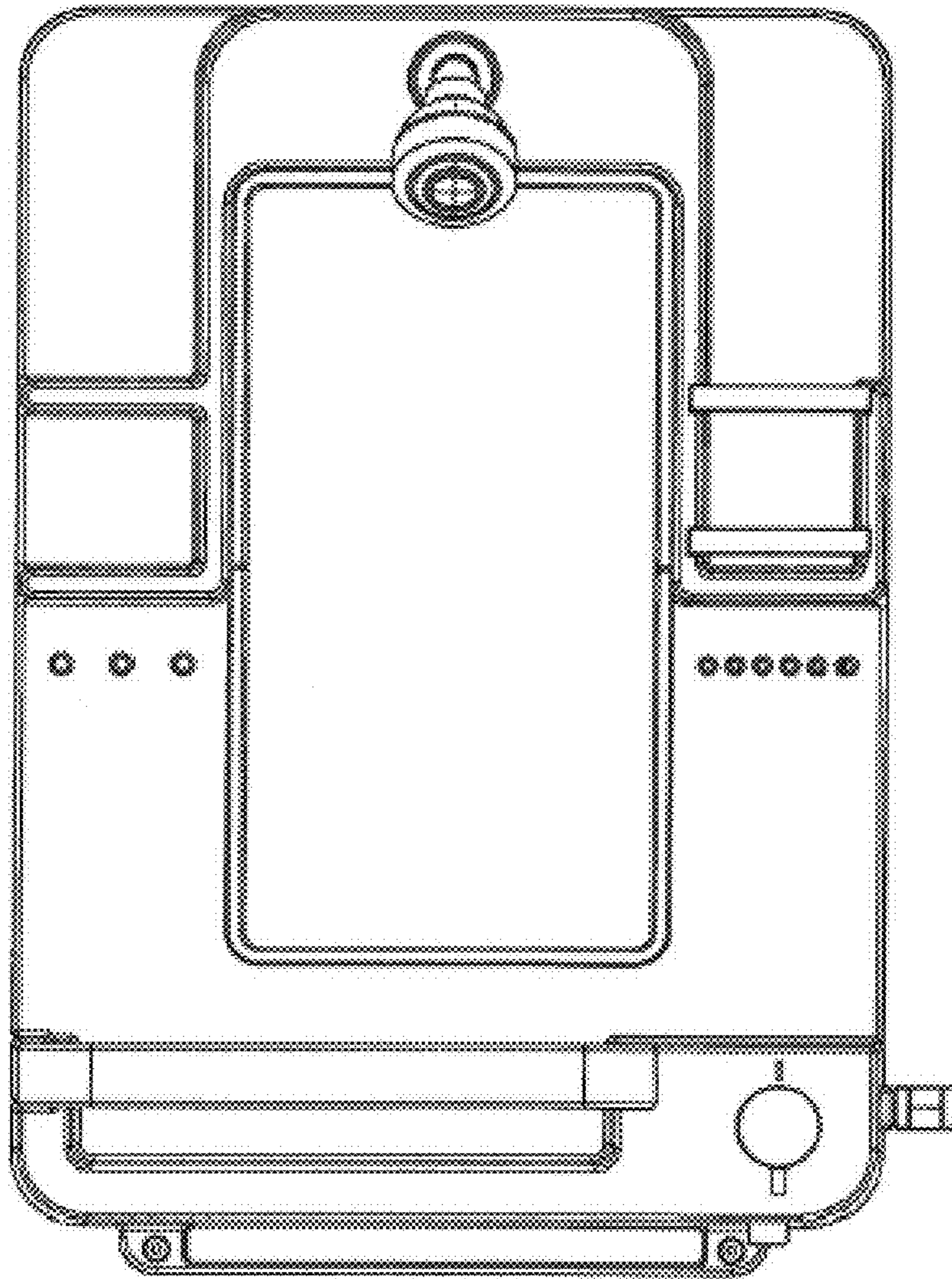


FIG. 2



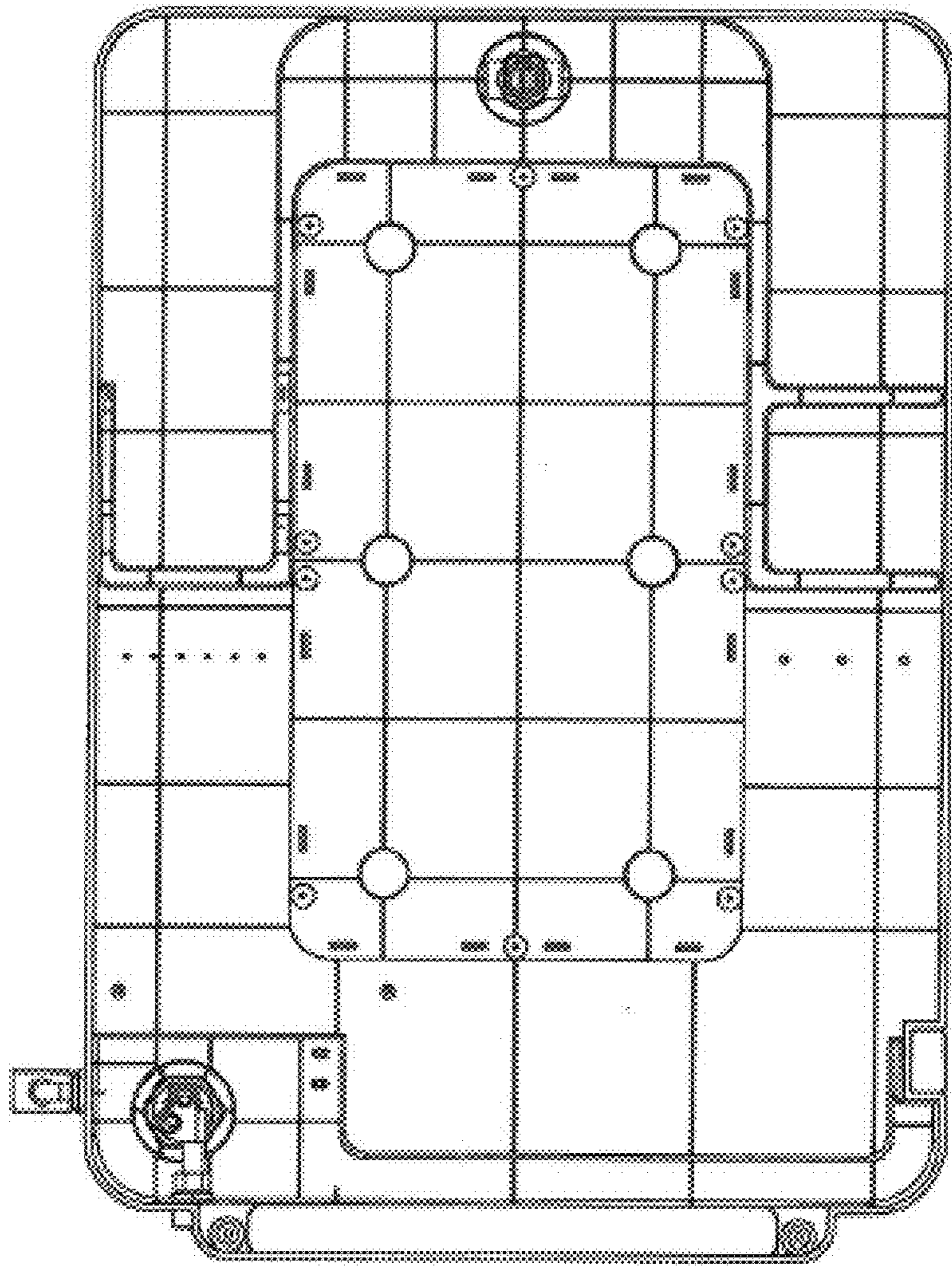


FIG. 3

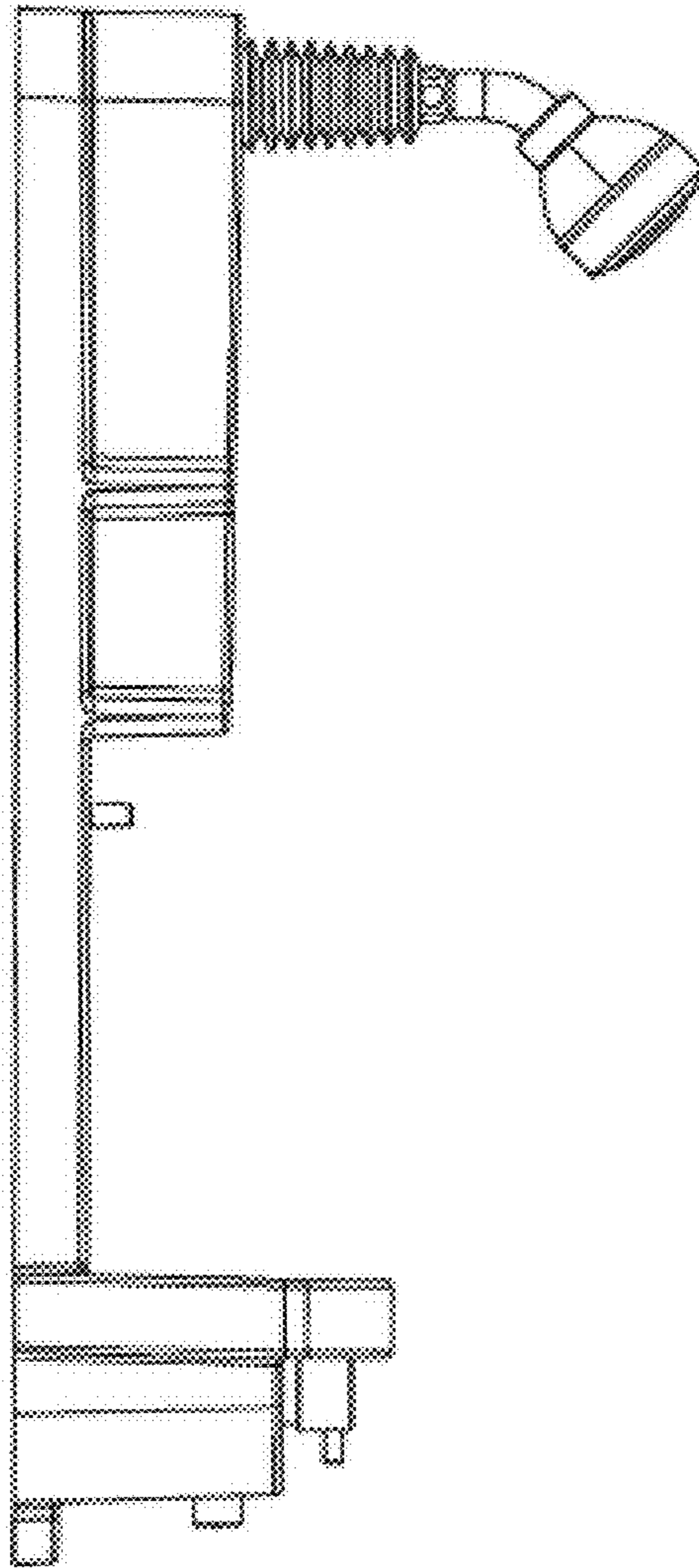


FIG. 4

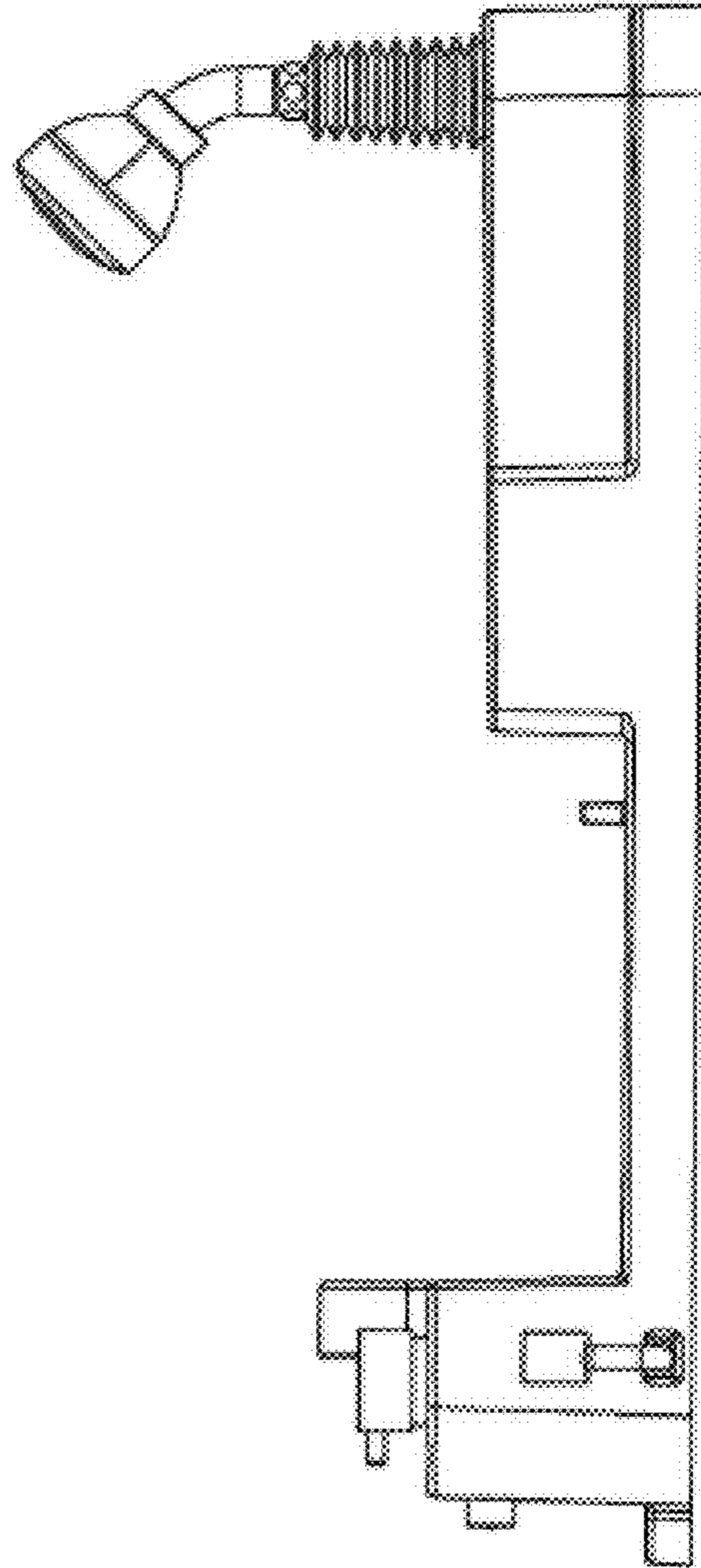


FIG. 5

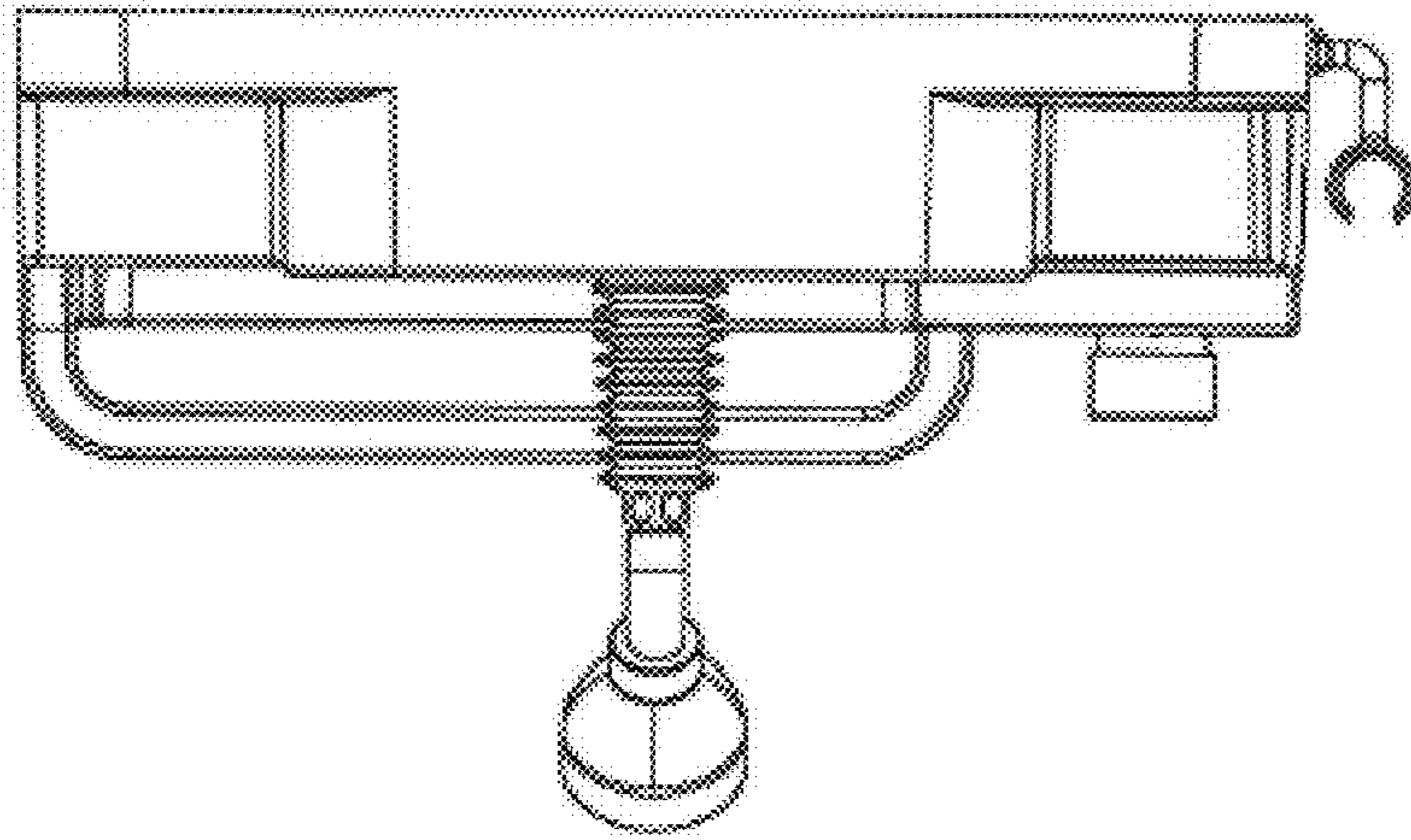


FIG. 6

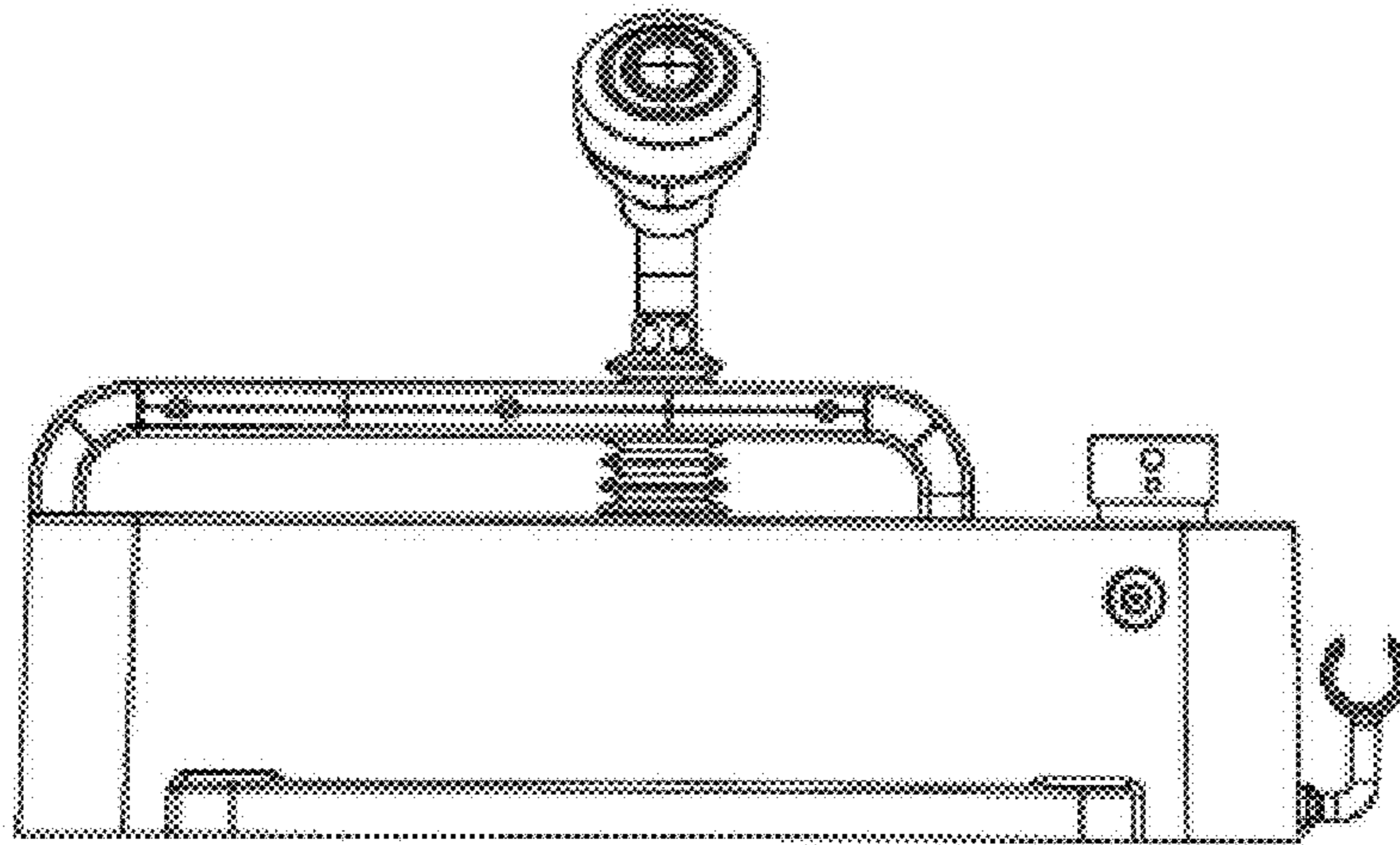


FIG. 7