



US00D702814S

(12) **United States Design Patent**  
**Vedantam et al.**

(10) **Patent No.:** **US D702,814 S**  
(45) **Date of Patent:** **\*\* Apr. 15, 2014**

(54) **SPRINKLER BASE**

(71) Applicant: **Robert Bosch Tool Corporation**,  
Broadview, IL (US)

(72) Inventors: **Kalyan Vedantam**, Peoria, IL (US);  
**Alfredo Fame**, Embu (BR)

(73) Assignee: **Robert Bosch GmbH**, Stuttgart (DE)

(\*\*) Term: **14 Years**

(21) Appl. No.: **29/453,327**

(22) Filed: **Apr. 26, 2013**

(51) **LOC (10) Cl.** ..... **23-01**

(52) **U.S. Cl.**  
USPC ..... **D23/221**

(58) **Field of Classification Search**  
USPC ..... D23/214, 216, 221; 239/242, 273, 276  
See application file for complete search history.

(56) **References Cited**

U.S. PATENT DOCUMENTS

|              |         |              |       |         |
|--------------|---------|--------------|-------|---------|
| D422,681 S * | 4/2000  | Heren        | ..... | D23/216 |
| D466,184 S * | 11/2002 | Kuo          | ..... | D23/216 |
| D510,405 S * | 10/2005 | Sener et al. | ..... | D23/221 |
| D510,406 S * | 10/2005 | Sener et al. | ..... | D23/221 |
| D554,738 S * | 11/2007 | Lo           | ..... | D23/221 |
| D559,352 S * | 1/2008  | Lo           | ..... | D23/221 |
| D599,882 S * | 9/2009  | Cheng        | ..... | D23/221 |
| D615,153 S * | 5/2010  | Cheng        | ..... | D23/221 |
| D615,611 S * | 5/2010  | Cheng        | ..... | D23/221 |

|              |        |              |       |         |
|--------------|--------|--------------|-------|---------|
| D618,308 S * | 6/2010 | Nies et al.  | ..... | D23/221 |
| D620,551 S * | 7/2010 | Mayher       | ..... | D23/221 |
| D635,643 S * | 4/2011 | Hanna et al. | ..... | D23/221 |
| D652,485 S * | 1/2012 | Nies et al.  | ..... | D23/221 |

\* cited by examiner

*Primary Examiner* — Robin V Webster

(74) *Attorney, Agent, or Firm* — Maginot, Moore & Beck

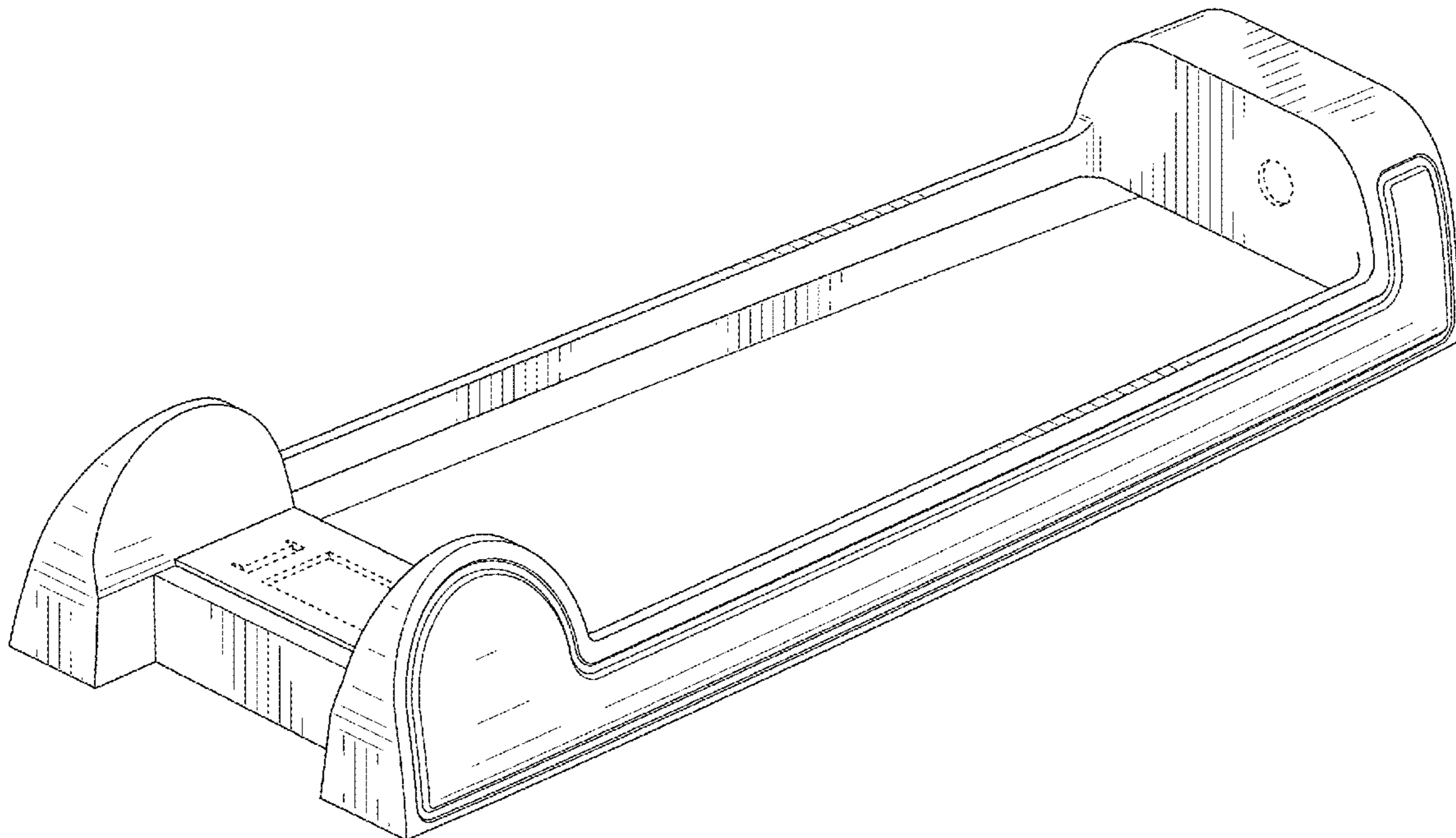
(57) **CLAIM**

The ornamental design for a sprinkler base, as shown and described.

**DESCRIPTION**

FIG. 1 is a perspective view of a sprinkler base showing our new design;  
 FIG. 2 is a front elevational view showing the design for the sprinkler base of FIG. 1;  
 FIG. 3 is a rear elevational view showing the design for the sprinkler base of FIG. 1;  
 FIG. 4 is a left side elevational view showing the design for the sprinkler base of FIG. 1;  
 FIG. 5 is a right side elevational view showing the design for the sprinkler base of FIG. 1;  
 FIG. 6 is a top plan view showing the design for the sprinkler base of FIG. 1; and,  
 FIG. 7 is a bottom plan view showing the design for the sprinkler base of FIG. 1.  
 The broken line showing of portions of the sprinkler base in FIGS. 1-7 is included for illustrative purposes only and forms no part of the claimed design.

**1 Claim, 5 Drawing Sheets**



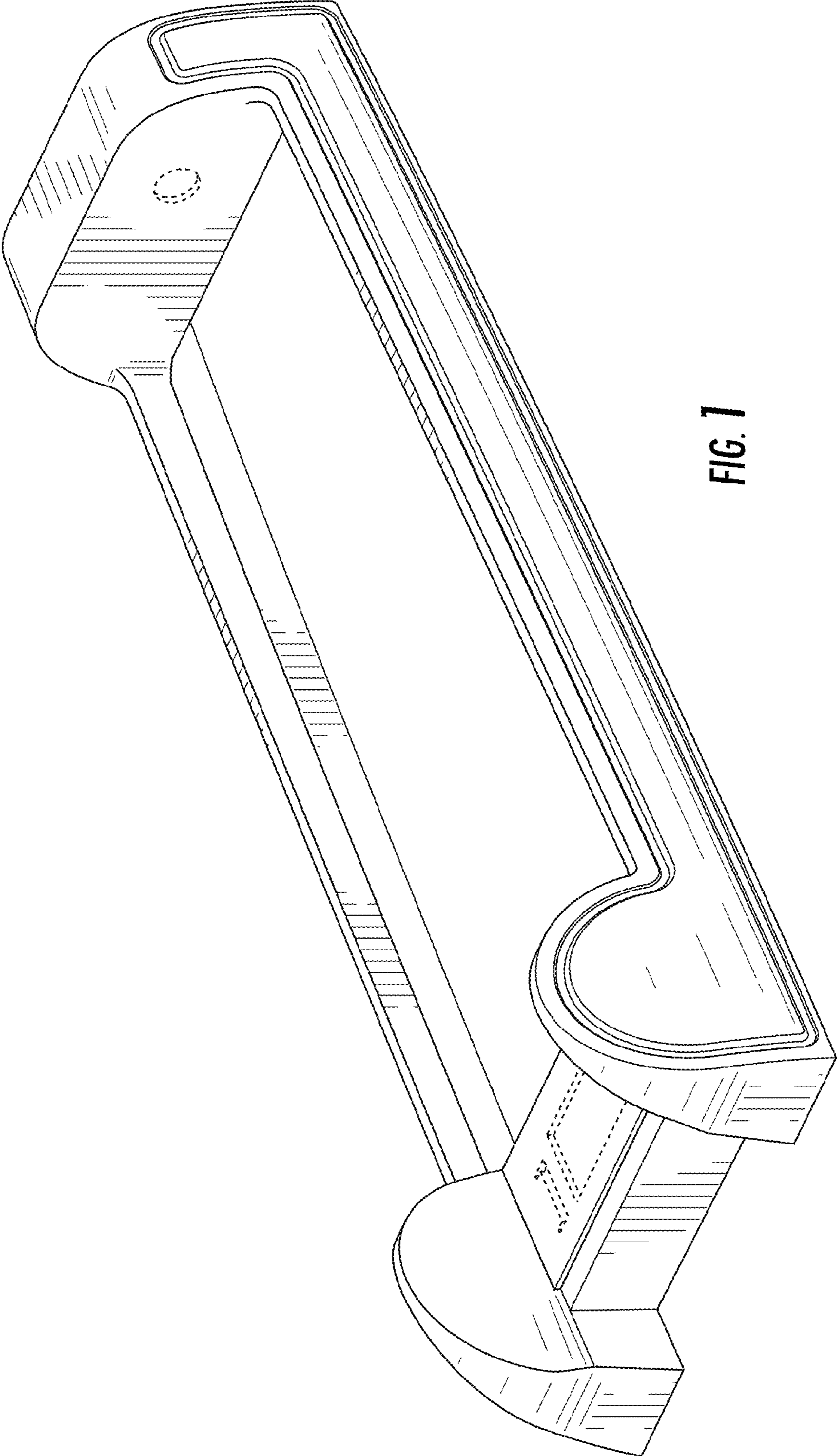


FIG. 1

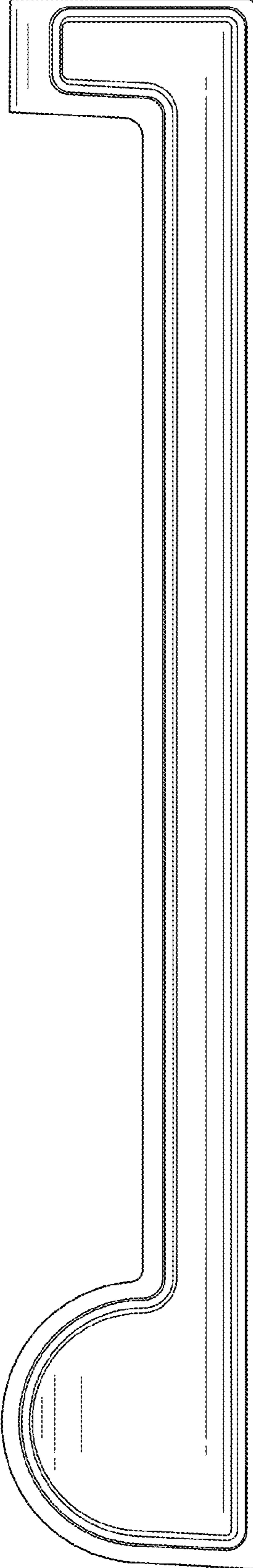


FIG. 2

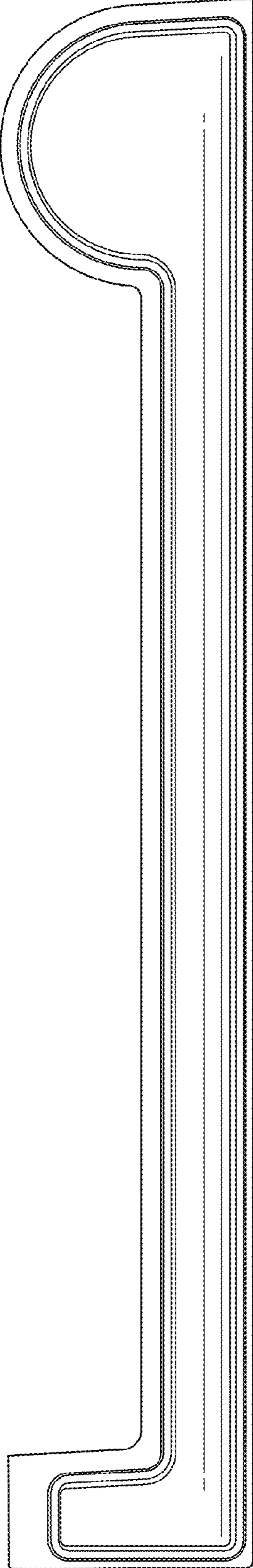


FIG. 3

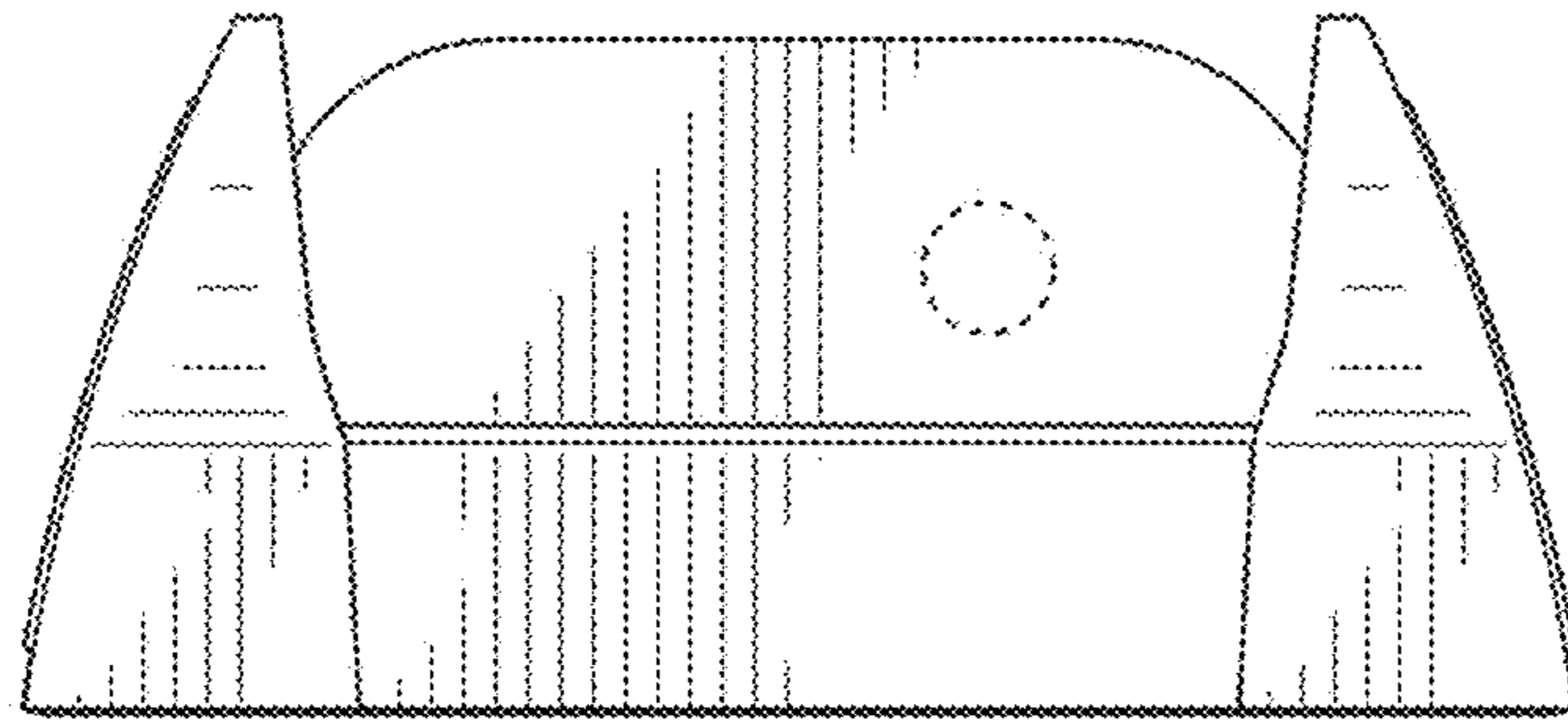


FIG. 4

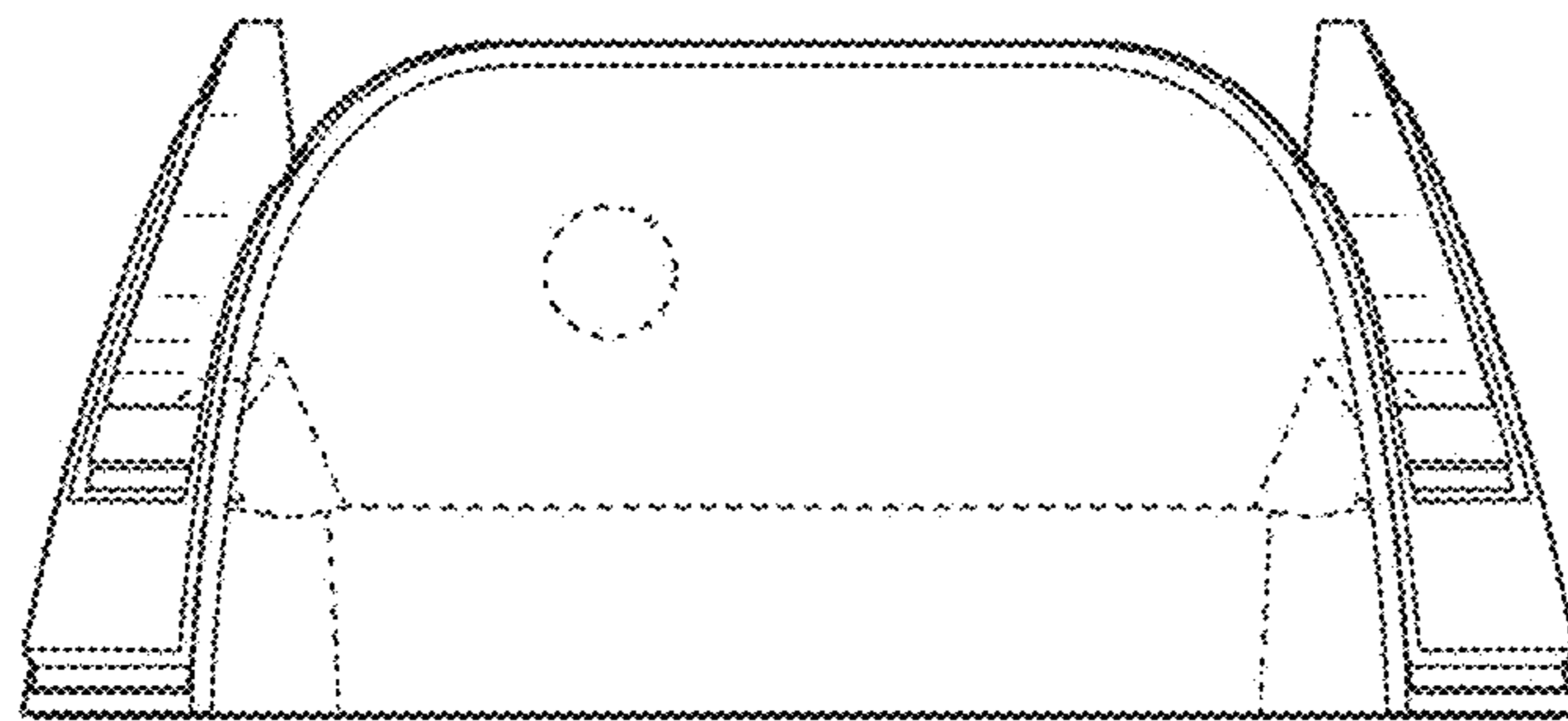


FIG. 5

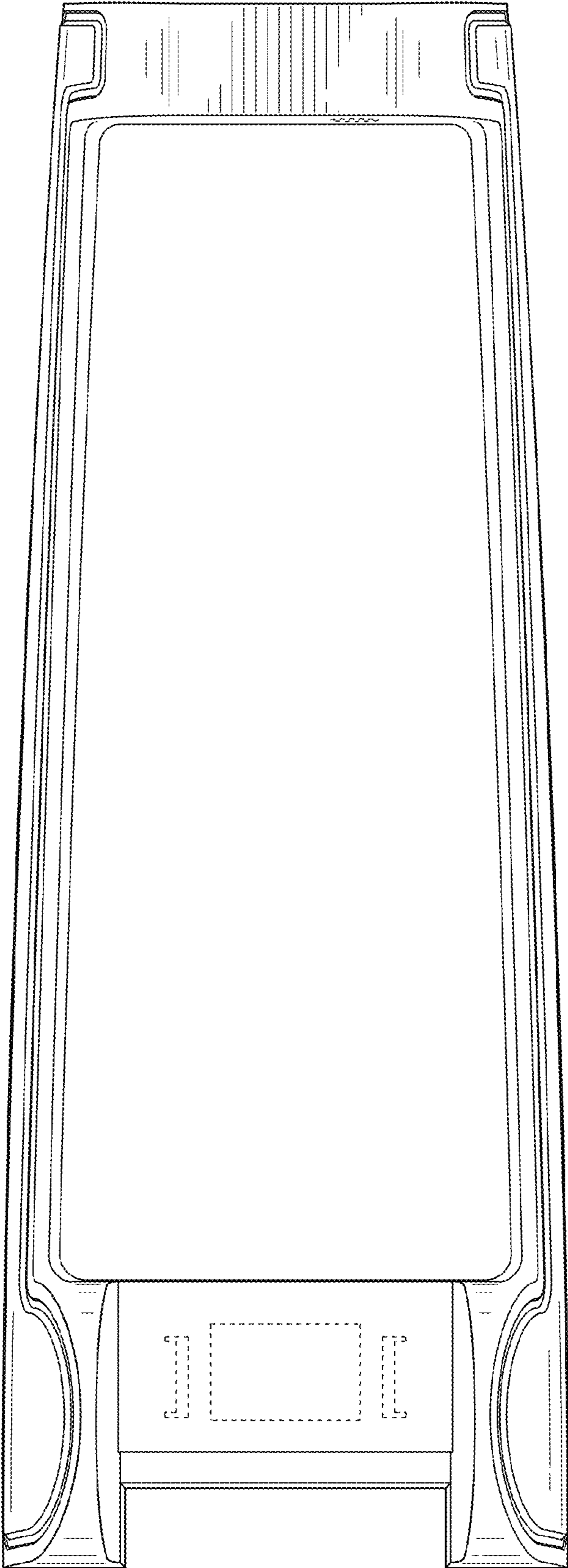


FIG. 6

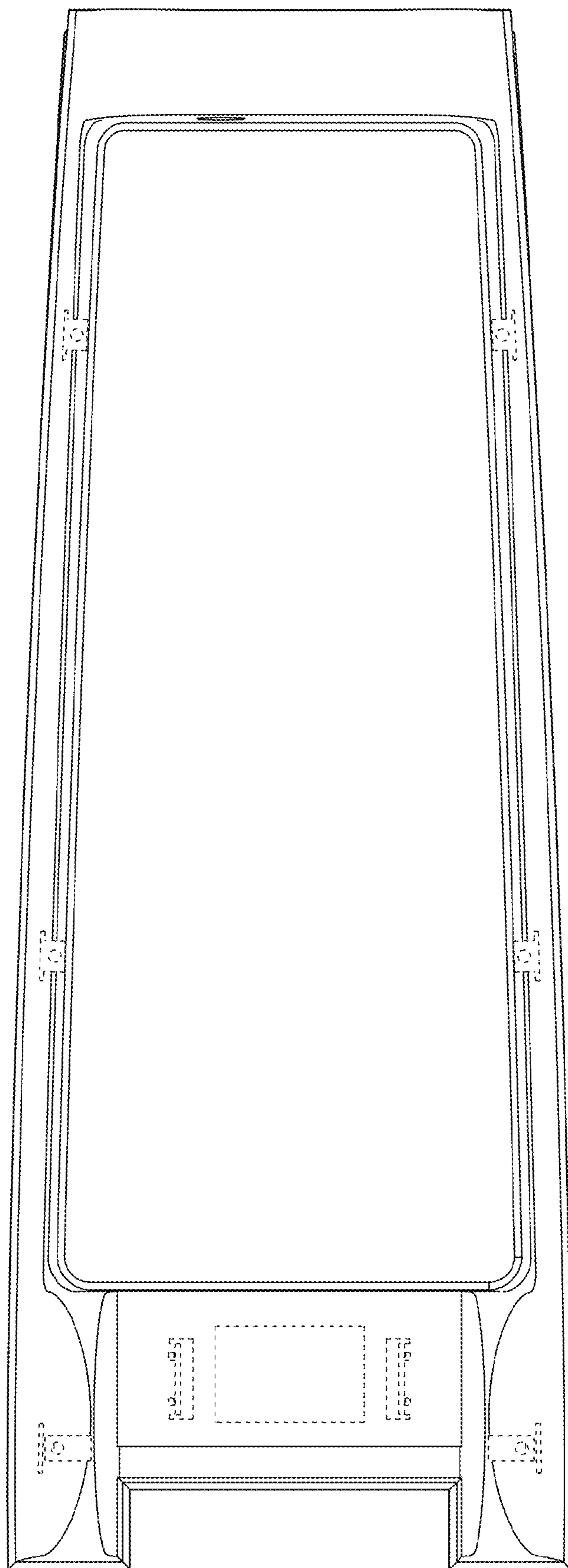


FIG. 7