



US00D702813S

(12) **United States Design Patent**
Vedantam et al.

(10) **Patent No.:** **US D702,813 S**
(45) **Date of Patent:** **** Apr. 15, 2014**

(54) **SPRINKLER BASE**

(71) Applicants: **Robert Bosch Tool Corporation**,
Broadview, IL (US); **Robert Bosch**
GmbH, Stuttgart (DE)

(72) Inventors: **Kalyan Vedantam**, Peoria, IL (US);
Alfredo Fame, Embu (BR)

(73) Assignee: **Robert Bosch GmbH**, Stuttgart (DE)

(**) Term: **14 Years**

(21) Appl. No.: **29/453,326**

(22) Filed: **Apr. 26, 2013**

(51) **LOC (10) Cl.** **23-01**

(52) **U.S. Cl.**
USPC **D23/221**

(58) **Field of Classification Search**
USPC D23/214, 216, 221; 239/242, 273, 276
See application file for complete search history.

(56) **References Cited**

U.S. PATENT DOCUMENTS

D422,681 S *	4/2000	Heren	D23/216
D466,184 S *	11/2002	Kuo	D23/216
D510,405 S *	10/2005	Sener et al.	D23/221
D510,406 S *	10/2005	Sener et al.	D23/221
D554,738 S *	11/2007	Lo	D23/221
D559,352 S *	1/2008	Lo	D23/221
D599,882 S *	9/2009	Cheng	D23/221
D615,153 S *	5/2010	Cheng	D23/221

D615,611 S *	5/2010	Cheng	D23/221
D618,308 S *	6/2010	Nies et al.	D23/221
D620,551 S *	7/2010	Mayher	D23/221
D635,643 S *	4/2011	Hanna et al.	D23/221
D652,485 S *	1/2012	Nies et al.	D23/221

* cited by examiner

Primary Examiner — Robin V Webster

(74) *Attorney, Agent, or Firm* — Maginot, Moore & Beck

(57) **CLAIM**

The ornamental design for a sprinkler base, as shown and described.

DESCRIPTION

FIG. 1 is a perspective view of a sprinkler base showing our new design;

FIG. 2 is a front elevational view showing the design for the sprinkler base of FIG. 1;

FIG. 3 is a rear elevational view showing the design for the sprinkler base of FIG. 1;

FIG. 4 is a left side elevational view showing the design for the sprinkler base of FIG. 1;

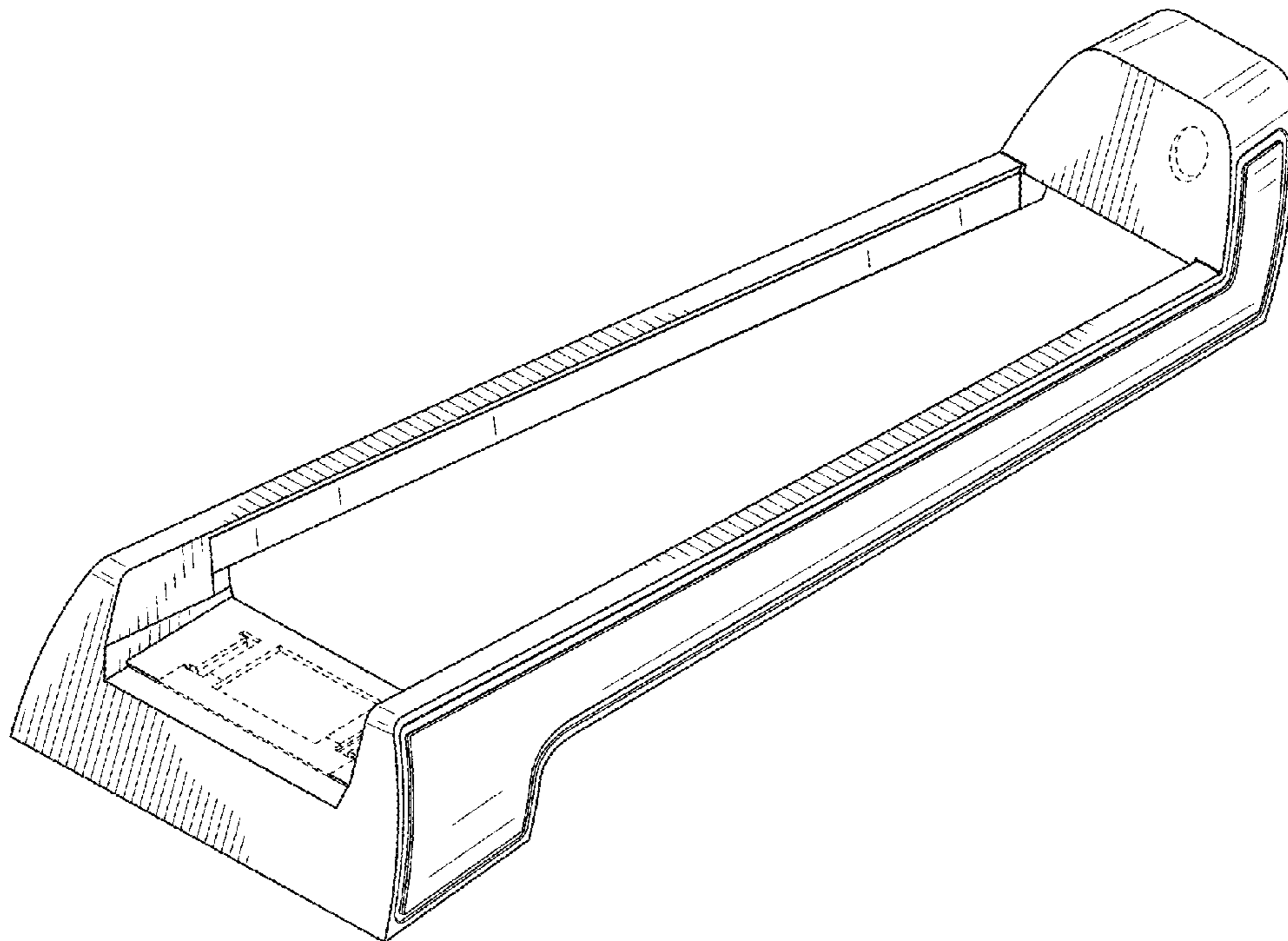
FIG. 5 is a right side elevational view showing the design for the sprinkler base of FIG. 1;

FIG. 6 is a top plan view showing the design for the sprinkler base of FIG. 1; and,

FIG. 7 is a bottom plan view showing the design for the sprinkler base of FIG. 1.

The broken line showing of portions of the sprinkler base in FIGS. 1-7 is included for illustrative purposes only and forms no part of the claimed design.

1 Claim, 5 Drawing Sheets



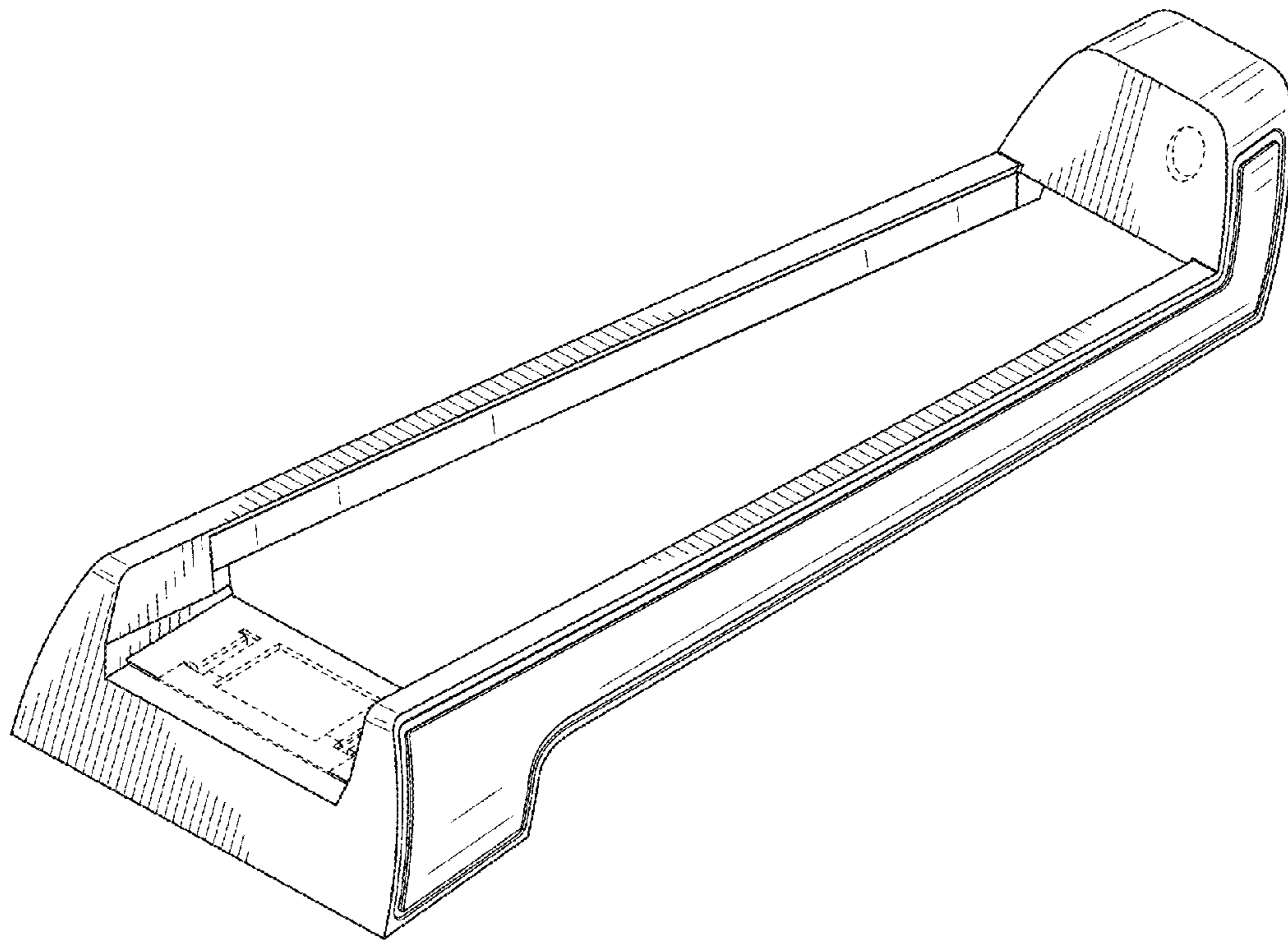


FIG. 1

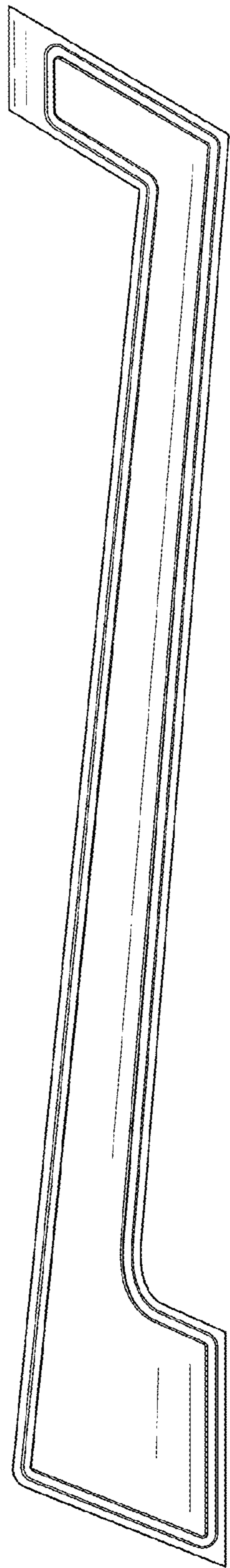


FIG. 2

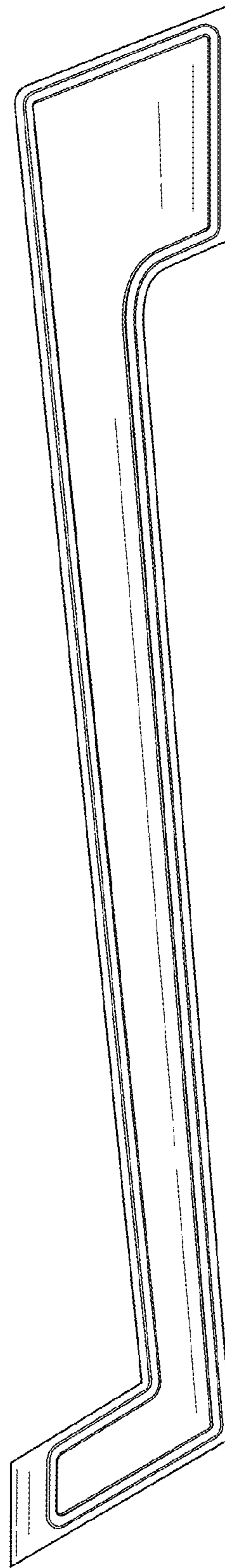


FIG. 3

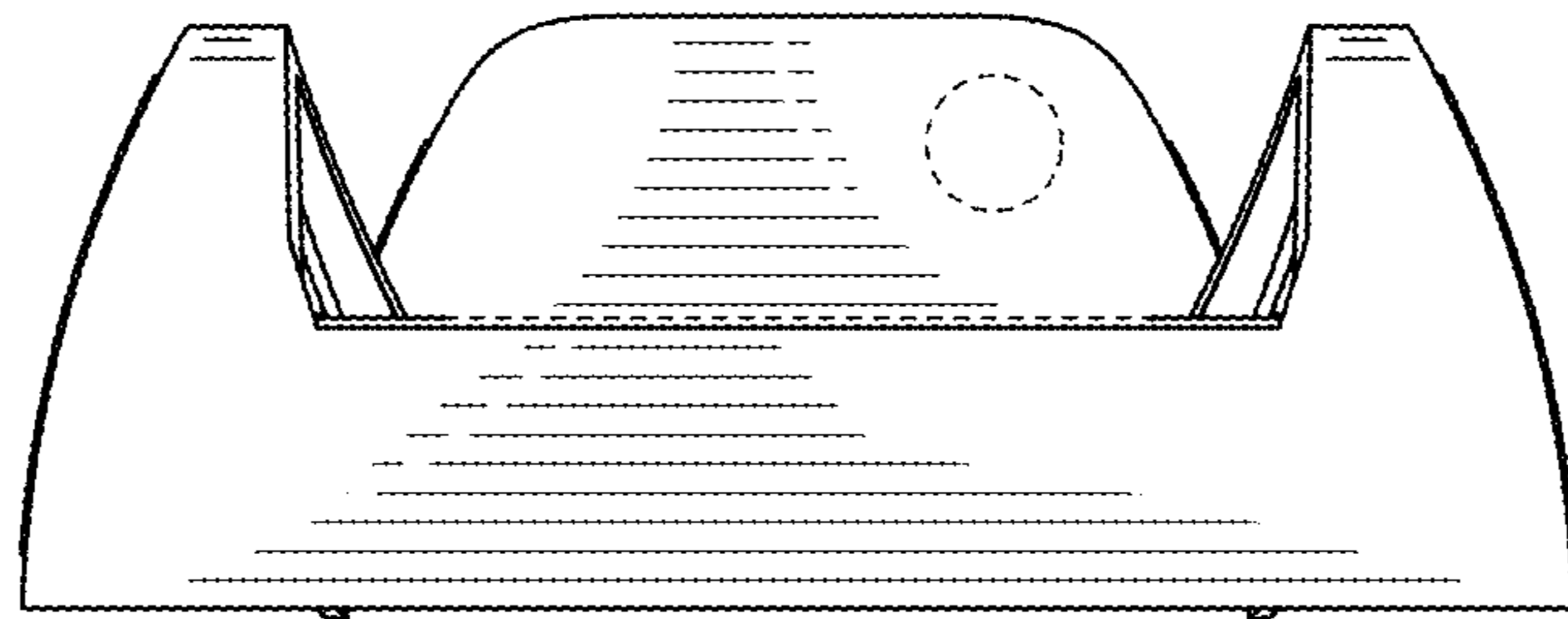


FIG. 4

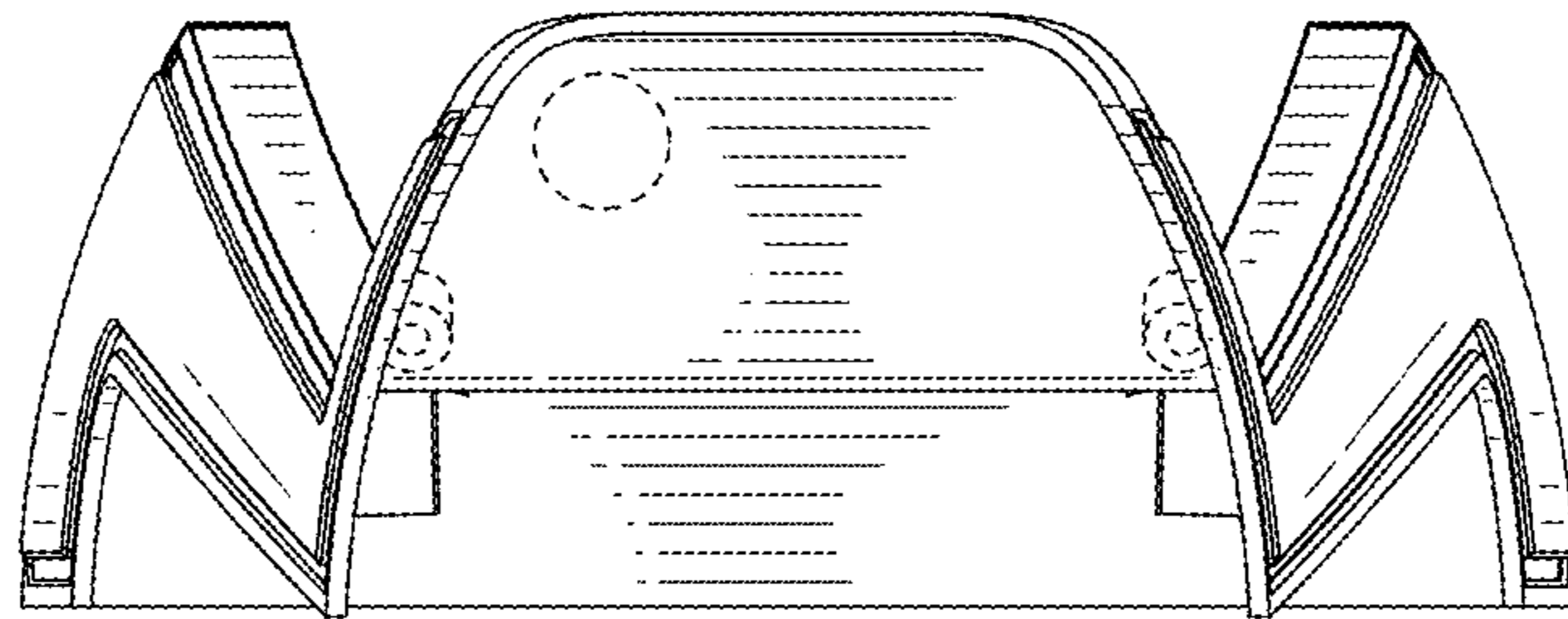


FIG. 5

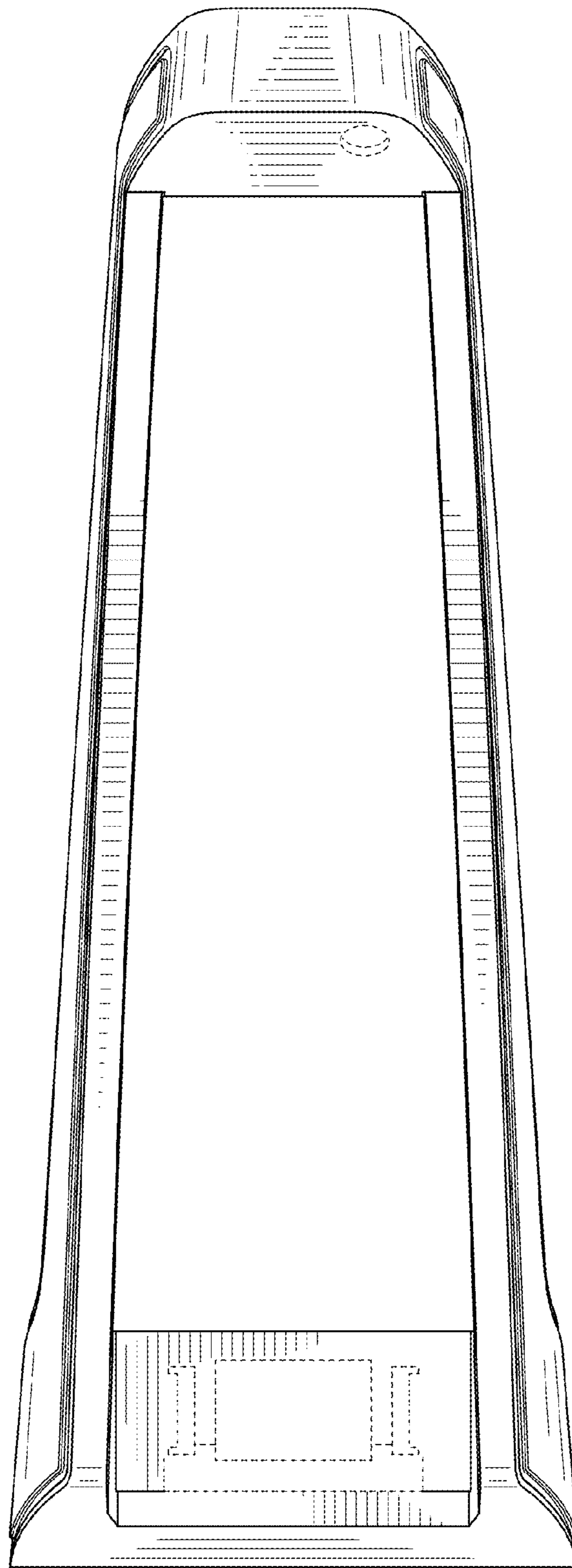


FIG. 6

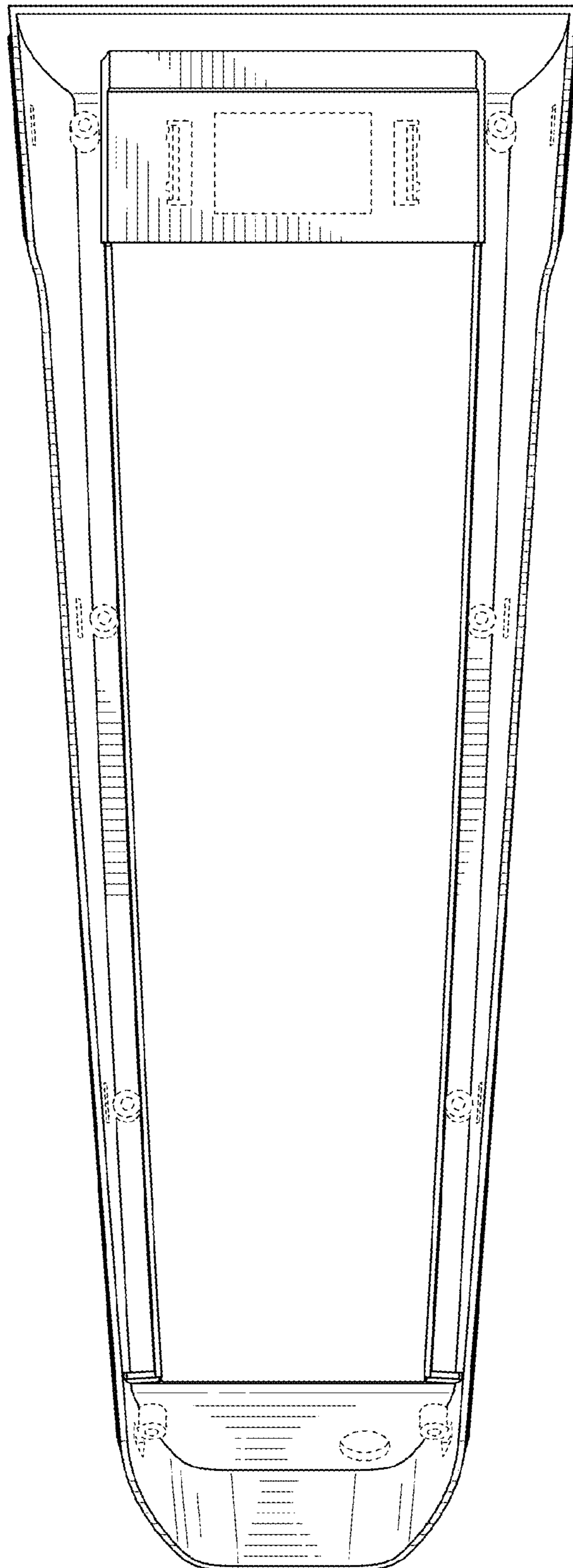


FIG. 7