



US00D702812S

(12) **United States Design Patent**
Morgan et al.

(10) **Patent No.:** **US D702,812 S**
(45) **Date of Patent:** **** Apr. 15, 2014**

- (54) **SPRINKLER BASE**
- (71) Applicants: **Robert Bosch Tool Corporation**,
Broadview, IL (US); **Robert Bosch GmbH**, Stuttgart (DE)
- (72) Inventors: **Fred Morgan**, Peoria, IL (US); **Kalyan Vedantam**, Peoria, IL (US)
- (73) Assignee: **Robert Bosch GmbH**, Stuttgart (DE)
- (**) Term: **14 Years**
- (21) Appl. No.: **29/453,324**
- (22) Filed: **Apr. 26, 2013**
- (51) **LOC (10) Cl.** **23-01**
- (52) **U.S. Cl.**
USPC **D23/221**
- (58) **Field of Classification Search**
USPC D23/214, 216, 221; 239/242, 273, 276
See application file for complete search history.

D615,153 S *	5/2010	Cheng	D23/221
D615,611 S *	5/2010	Cheng	D23/221
D618,308 S *	6/2010	Nies et al.	D23/221
D620,551 S *	7/2010	Mayher	D23/221
D635,643 S *	4/2011	Hanna et al.	D23/221
D652,485 S *	1/2012	Nies et al.	D23/221

* cited by examiner

Primary Examiner — Robin V Webster

(74) *Attorney, Agent, or Firm* — Maginot, Moore & Beck

(57) **CLAIM**

The ornamental design for a sprinkler base, as shown and described.

DESCRIPTION

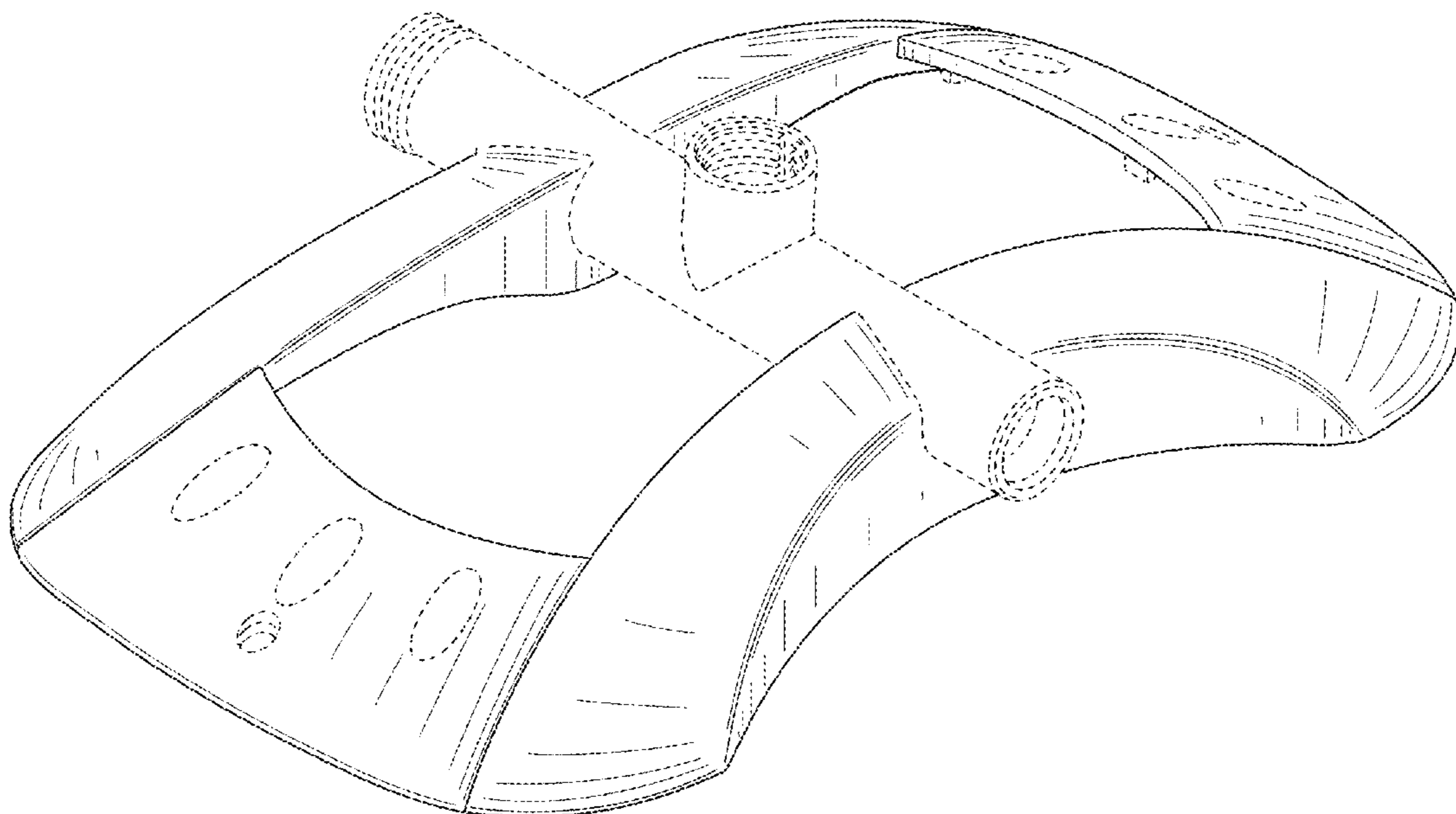
FIG. 1 is a perspective view of a sprinkler base showing our new design;
 FIG. 2 is a front elevational view showing the design for the sprinkler base of FIG. 1;
 FIG. 3 is a rear elevational view showing the design for the sprinkler base of FIG. 1;
 FIG. 4 is a right side elevational view showing the design for the sprinkler base of FIG. 1;
 FIG. 5 is a left side elevational view showing the design for the sprinkler base of FIG. 1;
 FIG. 6 is a top plan view showing the design for the sprinkler base of FIG. 1; and,
 FIG. 7 is a bottom plan view showing the design for the sprinkler base of FIG. 1.
 The broken line showing is included for the purpose of illustrating and forms no part of the claimed design.

1 Claim, 5 Drawing Sheets

(56) **References Cited**

U.S. PATENT DOCUMENTS

D422,681 S *	4/2000	Heren	D23/216
D466,184 S *	11/2002	Kuo	D23/216
D510,405 S *	10/2005	Sener et al.	D23/221
D510,406 S *	10/2005	Sener et al.	D23/221
D554,738 S *	11/2007	Lo	D23/221
D559,352 S *	1/2008	Lo	D23/221
D599,882 S *	9/2009	Cheng	D23/221



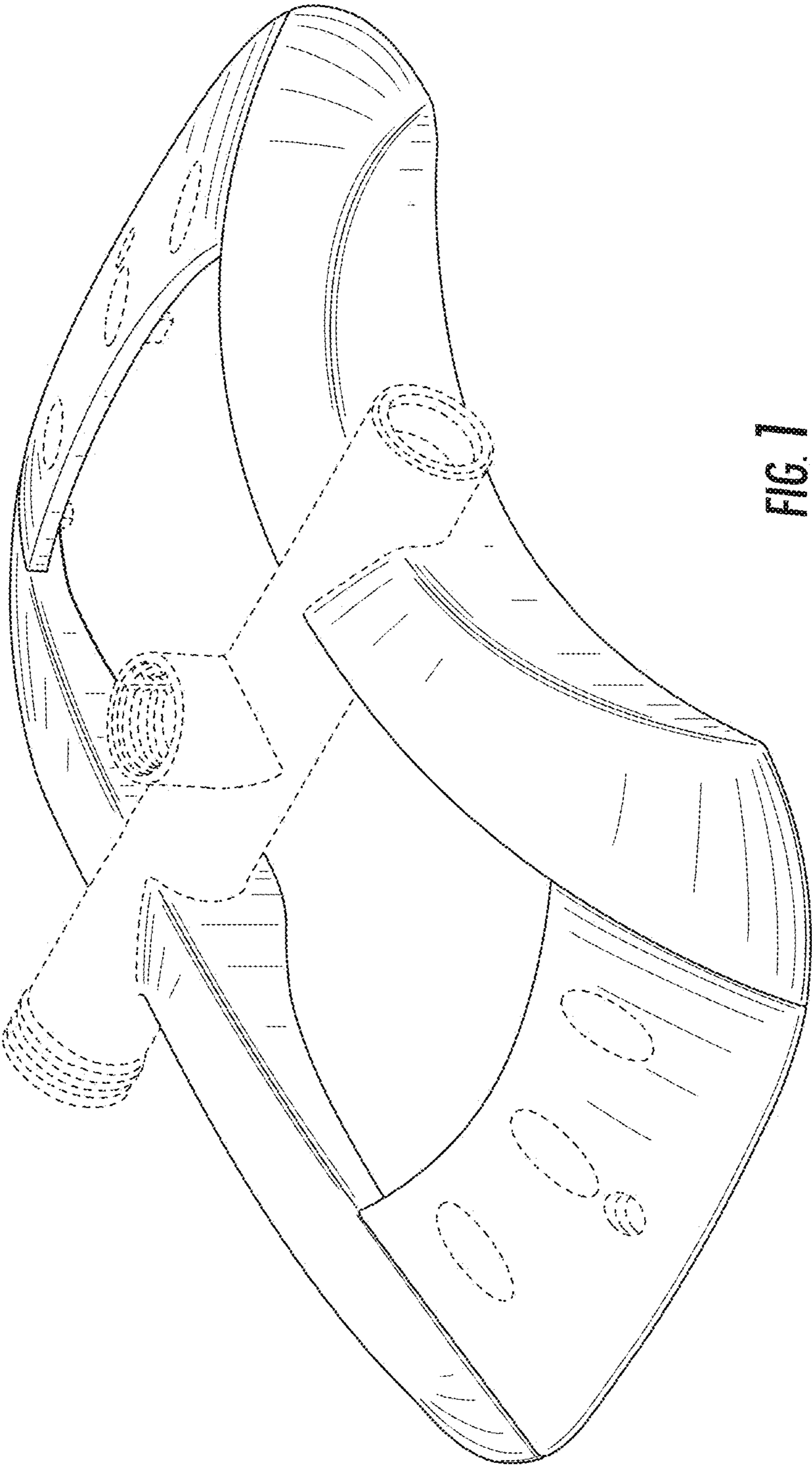


FIG. 1

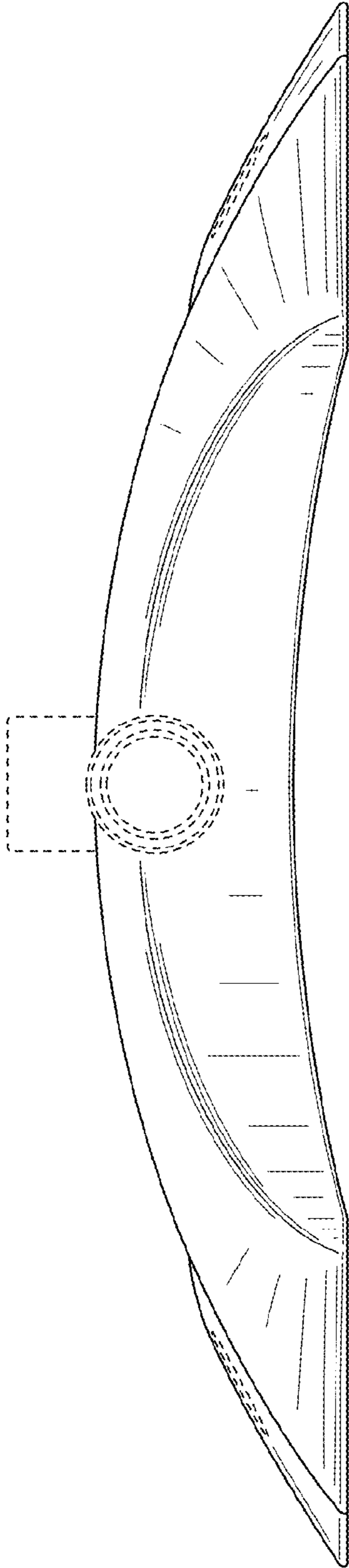


FIG. 2

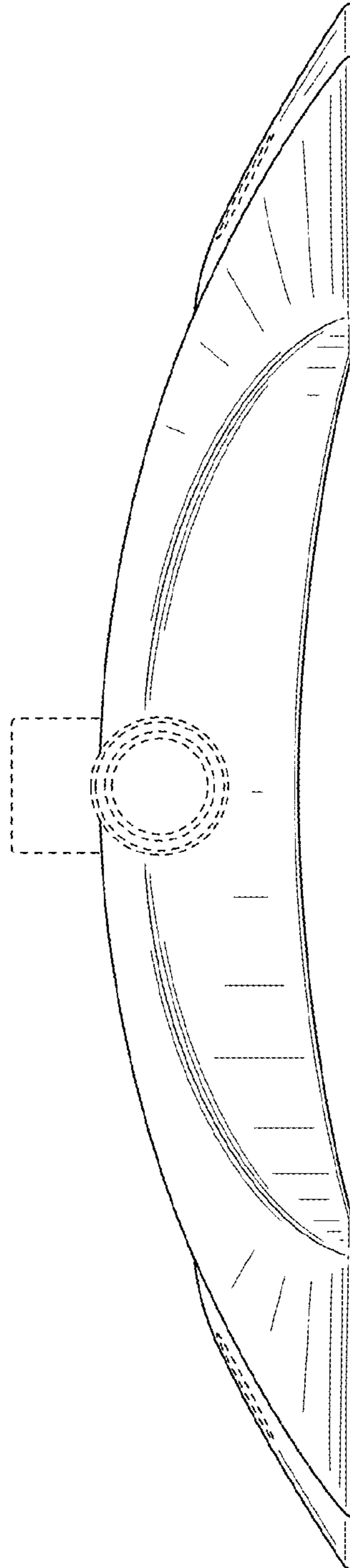


FIG. 3

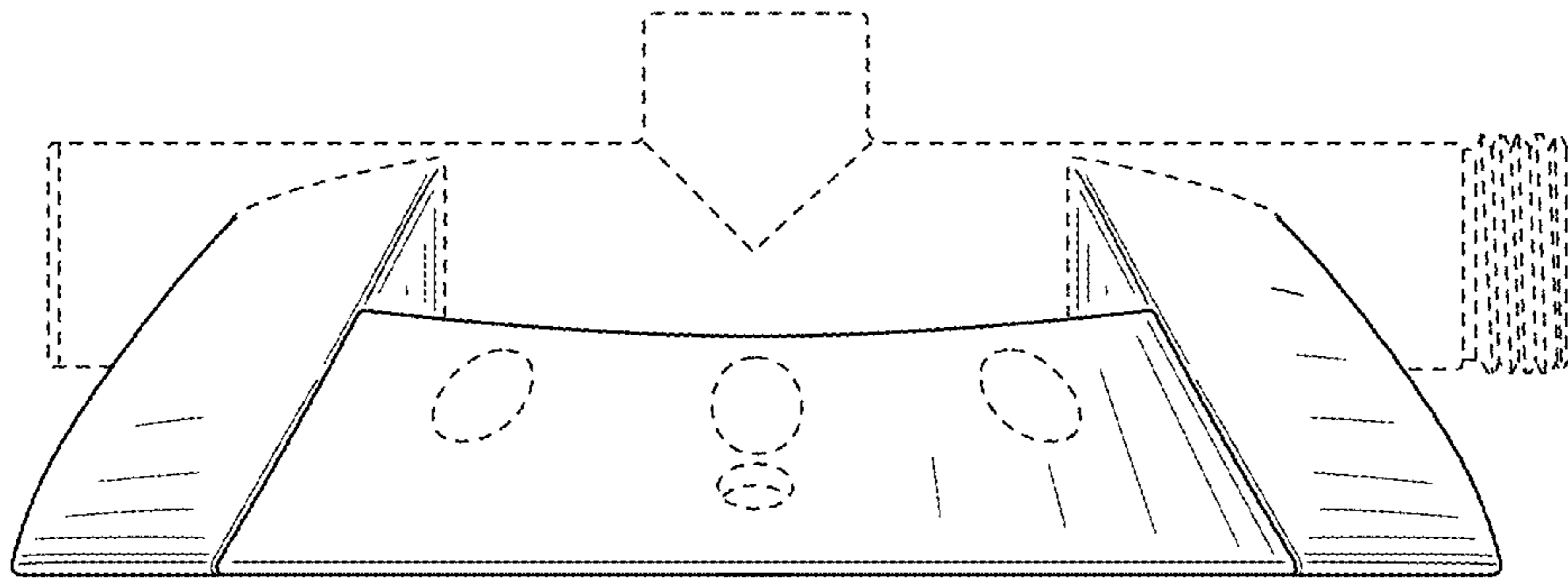


FIG. 4

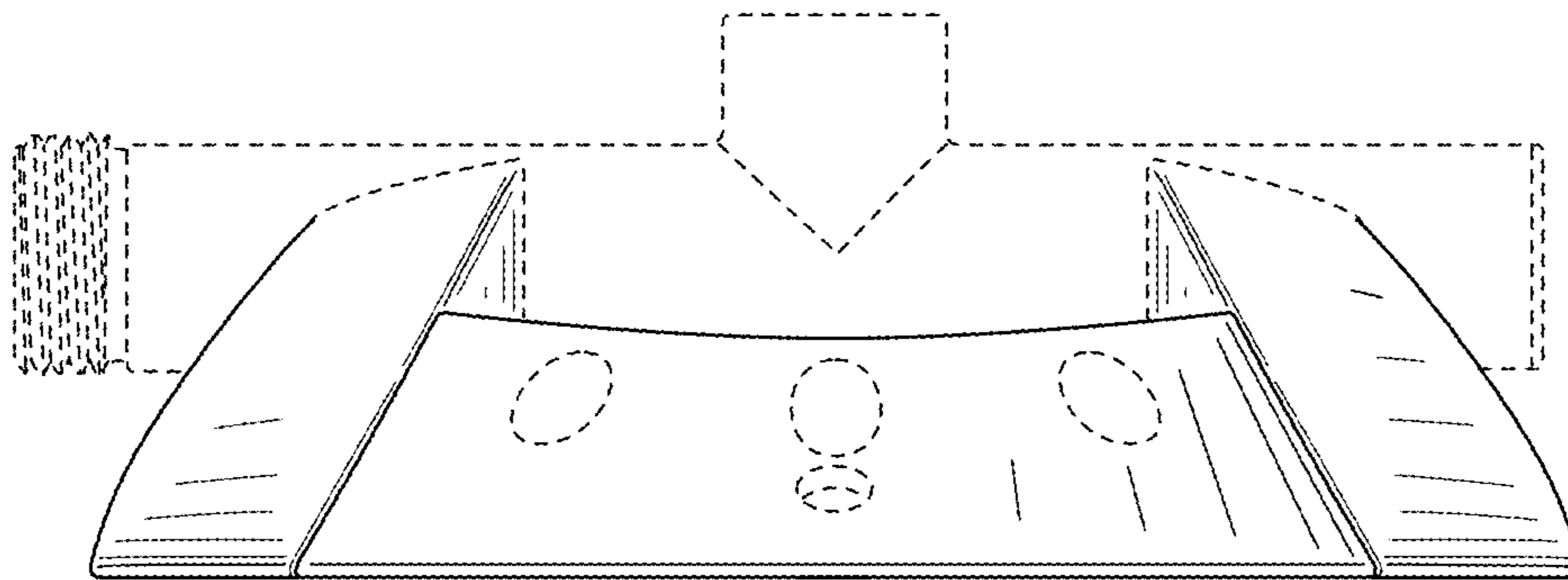


FIG. 5

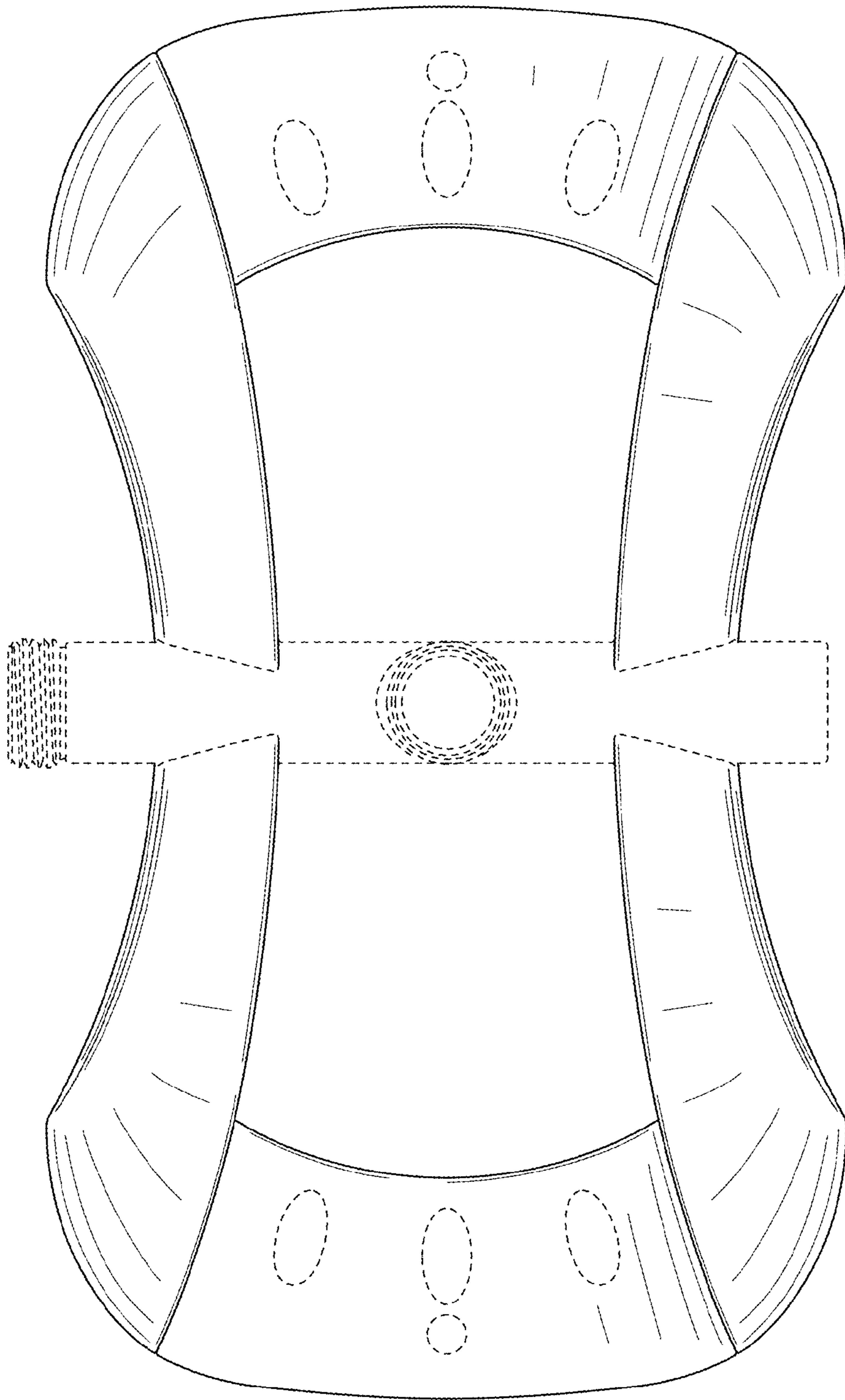


FIG. 6

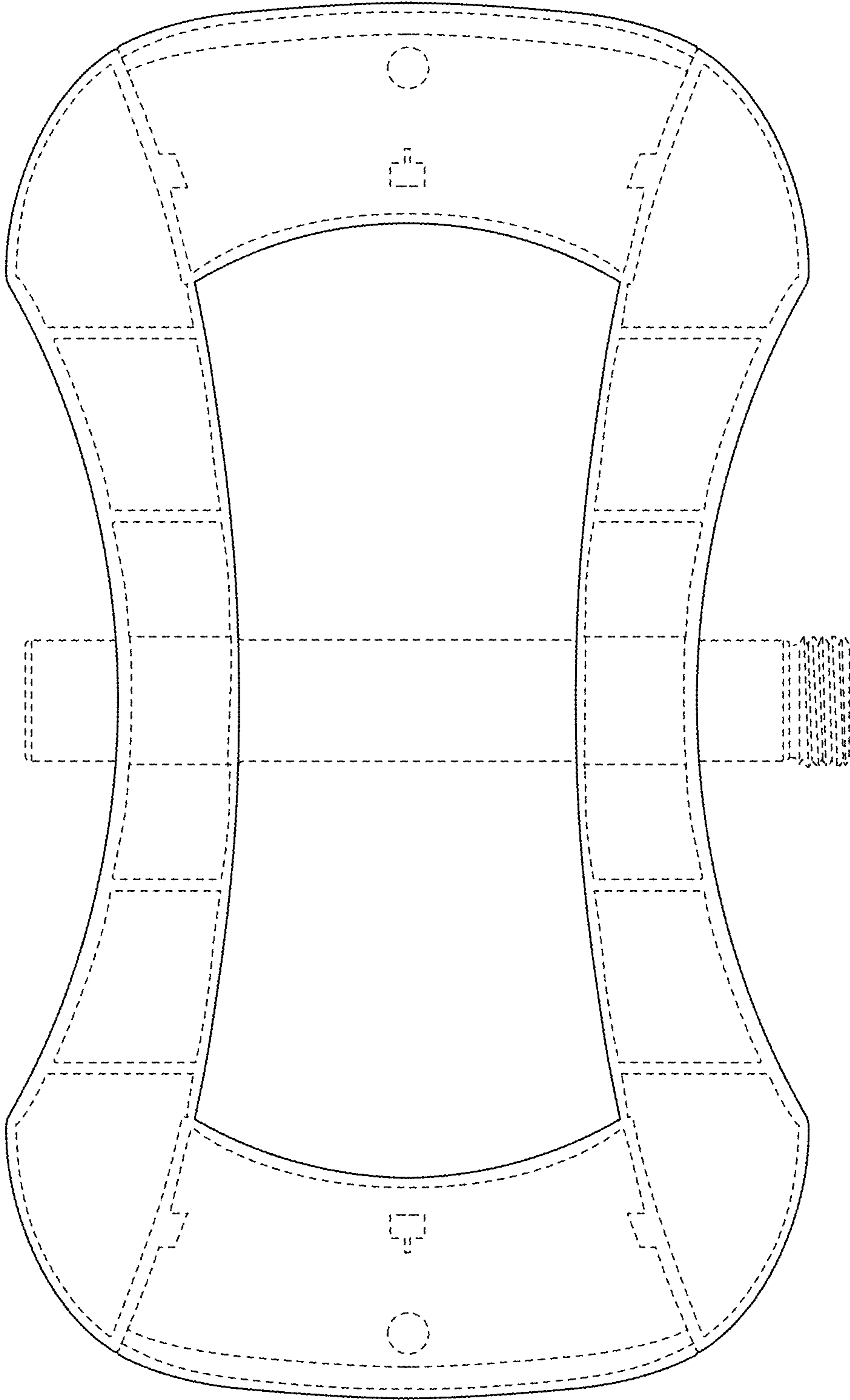


FIG. 7