



US00D702810S

(12) **United States Design Patent**
Stednitz

(10) **Patent No.:** **US D702,810 S**
(45) **Date of Patent:** **** Apr. 15, 2014**

(54) **NOZZLE**

(71) Applicant: **Strahman Valves, Inc.**, Bethlehem, PA
(US)

(72) Inventor: **Samuel Gregory Stednitz**, St. Clair, PA
(US)

(73) Assignee: **Strahman Valves, Inc.**, Bethlehem, PA
(US)

(**) Term: **14 Years**

(21) Appl. No.: **29/448,008**

(22) Filed: **Mar. 8, 2013**

(51) **LOC (10) Cl.** **23-01**

(52) **U.S. Cl.**
USPC **D23/213**

(58) **Field of Classification Search**
USPC D23/213, 223, 226; 239/459; 251/99
See application file for complete search history.

(56) **References Cited**

U.S. PATENT DOCUMENTS

4,225,087 A * 9/1980 Lawlor 239/526

6,032,922 A * 3/2000 Shew 251/99
D541,377 S * 4/2007 Chen D23/223

* cited by examiner

Primary Examiner — Robin V Webster

(74) *Attorney, Agent, or Firm* — Graham Curtin, P.A.

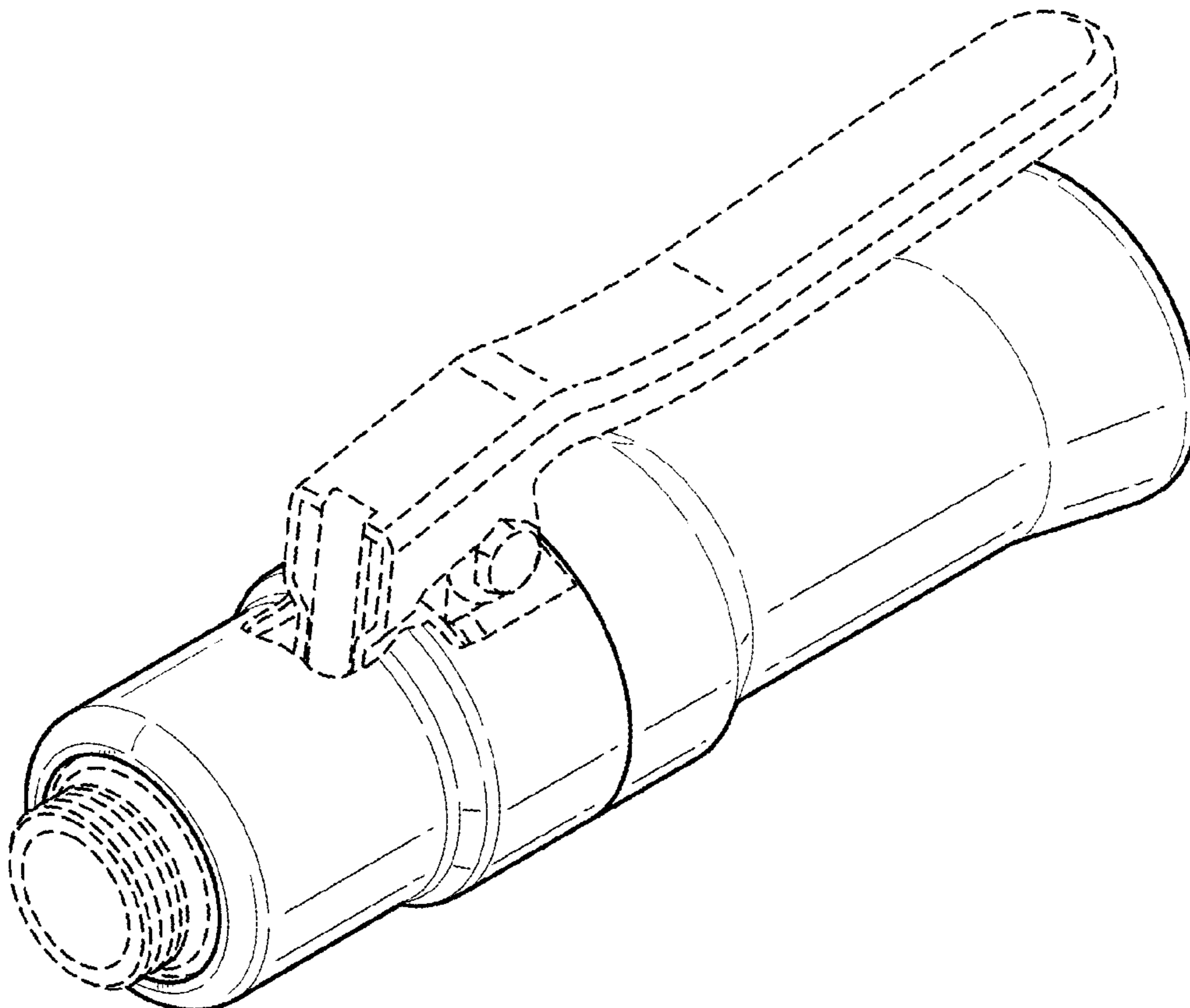
(57) **CLAIM**

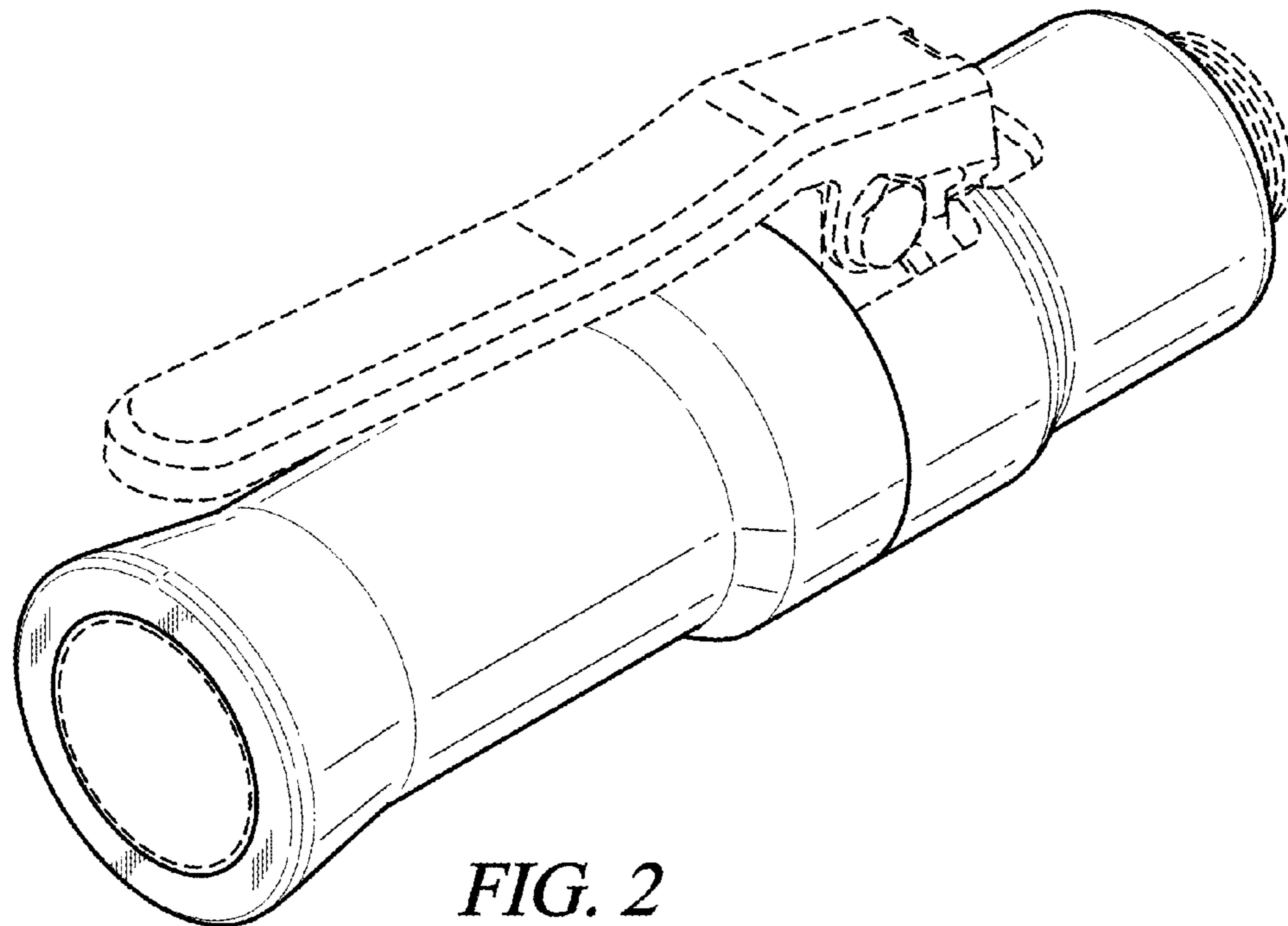
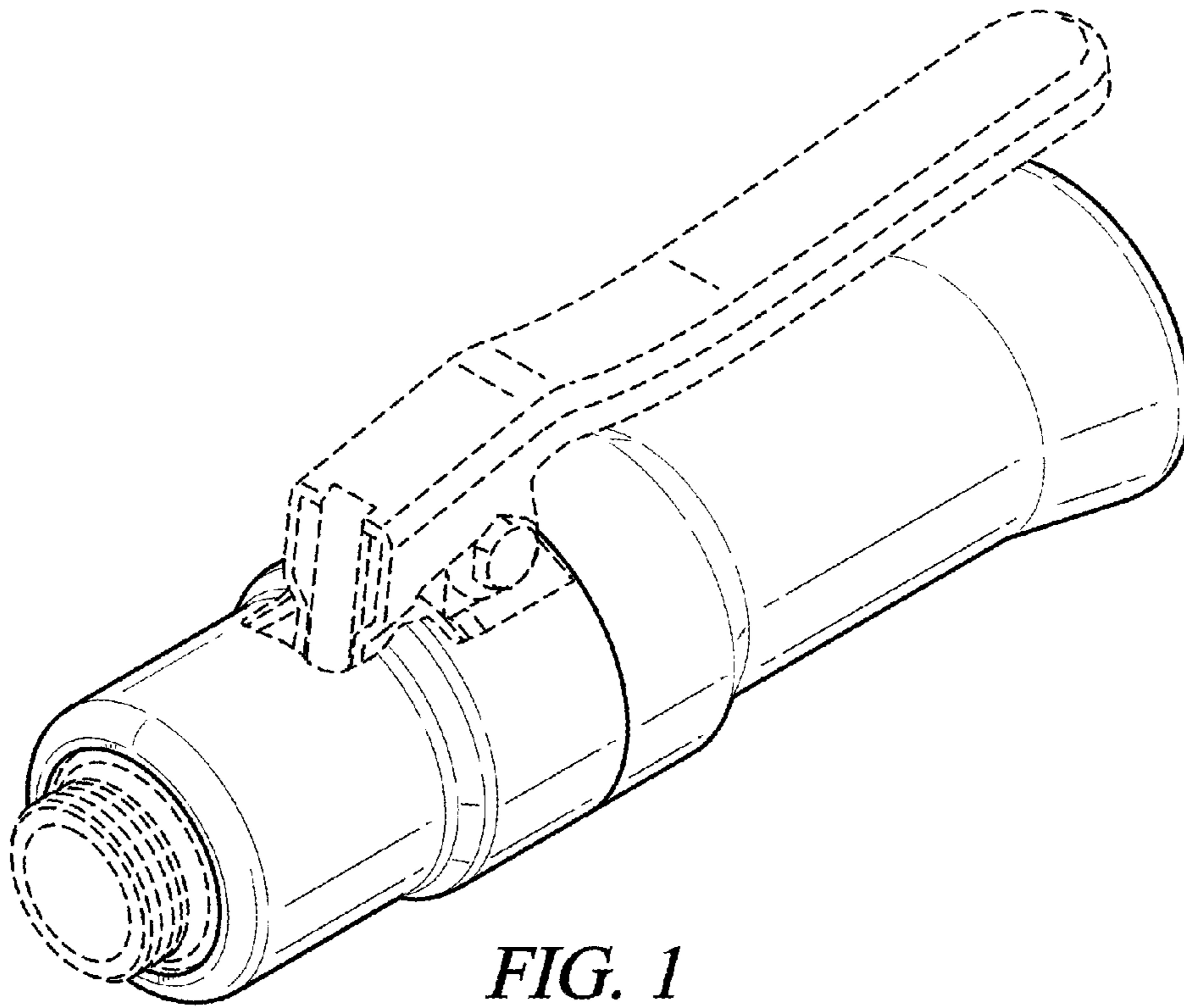
The ornamental design for a nozzle, as shown and described.

DESCRIPTION

FIG. 1 is a rear perspective view of a nozzle showing my new design;
FIG. 2 is a front perspective view thereof;
FIG. 3 is a top view thereof;
FIG. 4 is a right side elevation view thereof, the left side elevation being a mirror image thereof;
FIG. 5 is a bottom view thereof;
FIG. 6 is a rear edge view thereof; and,
FIG. 7 is a front edge view thereof.
The broken lines are for purposes of illustration and form no part of the claimed design.

1 Claim, 3 Drawing Sheets





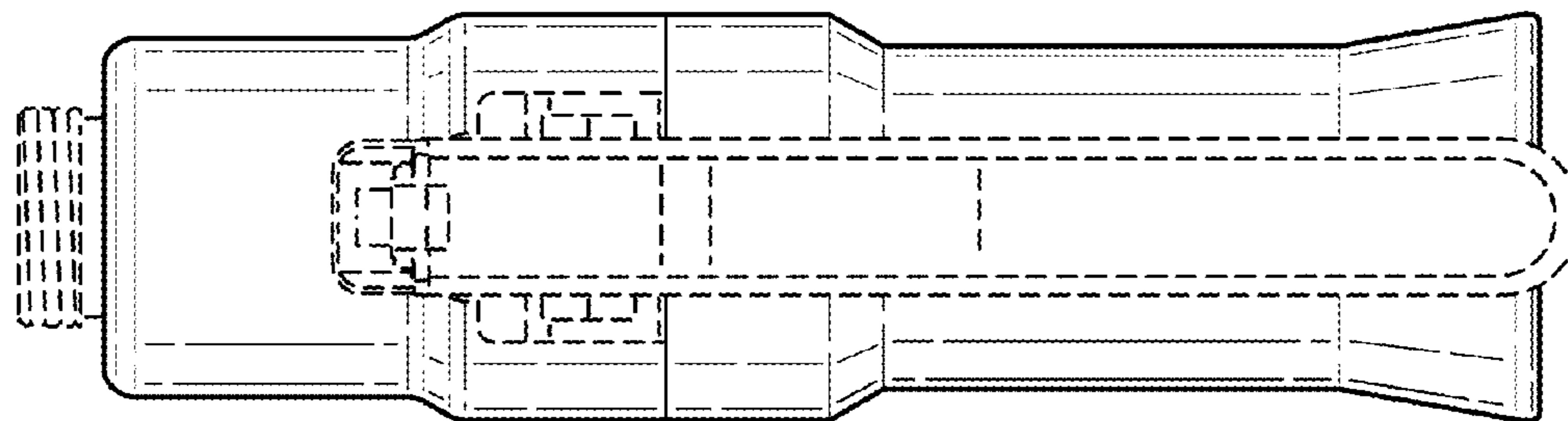


FIG. 3

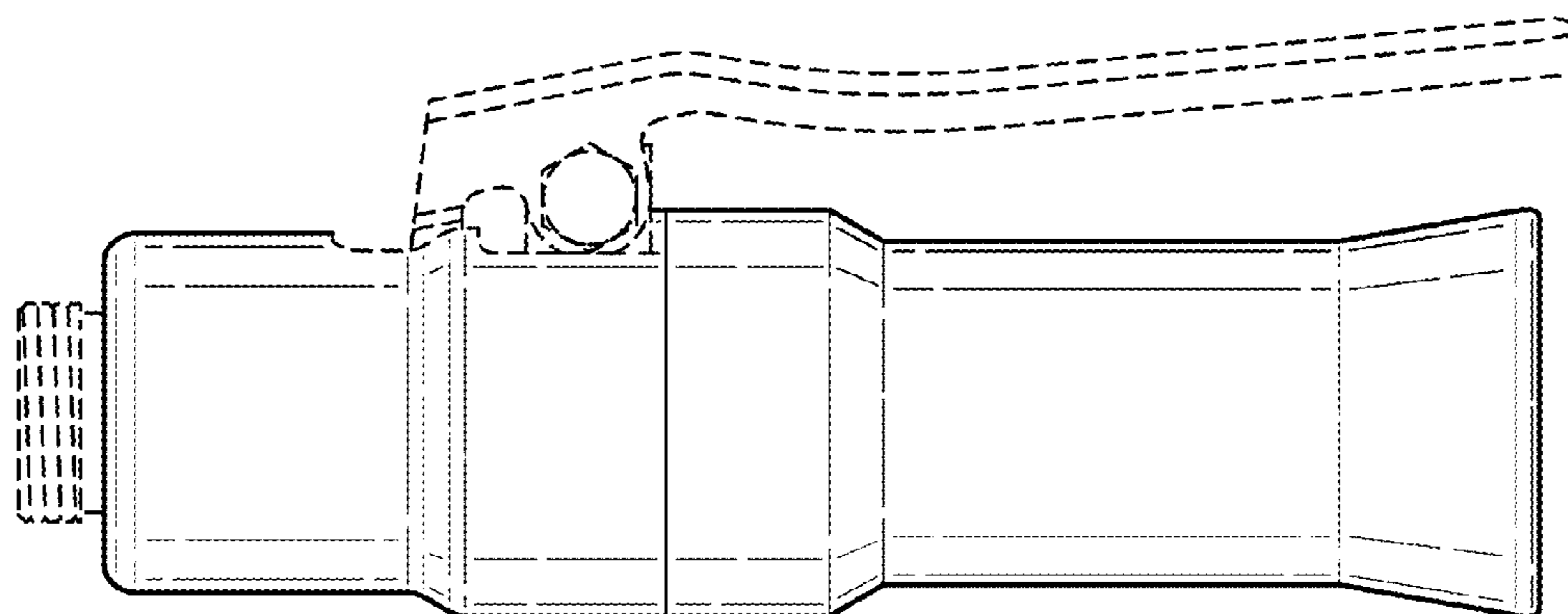


FIG. 4

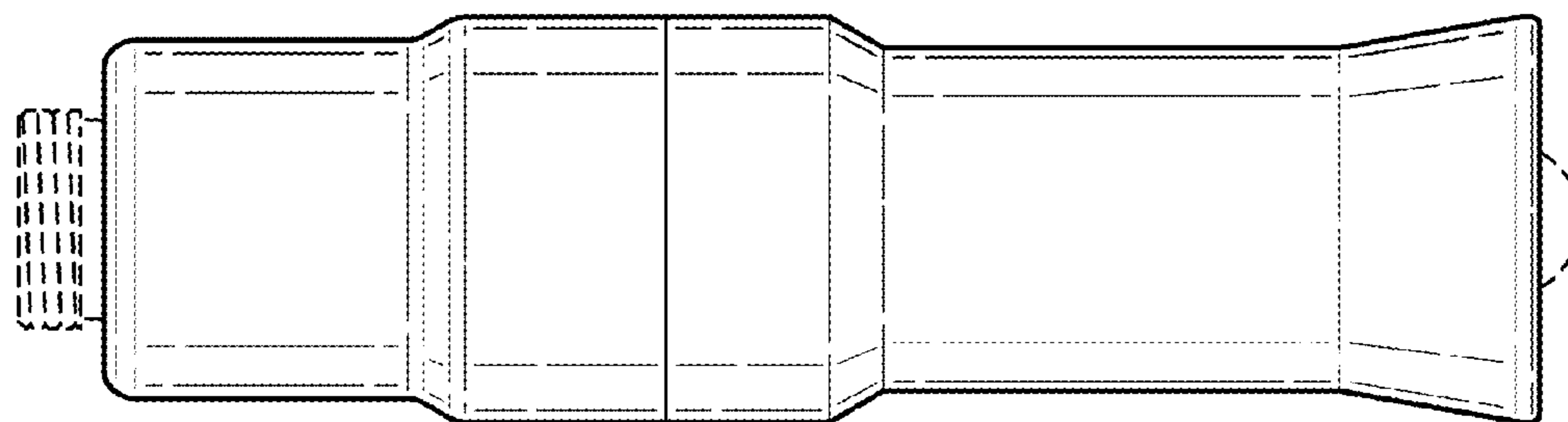


FIG. 5

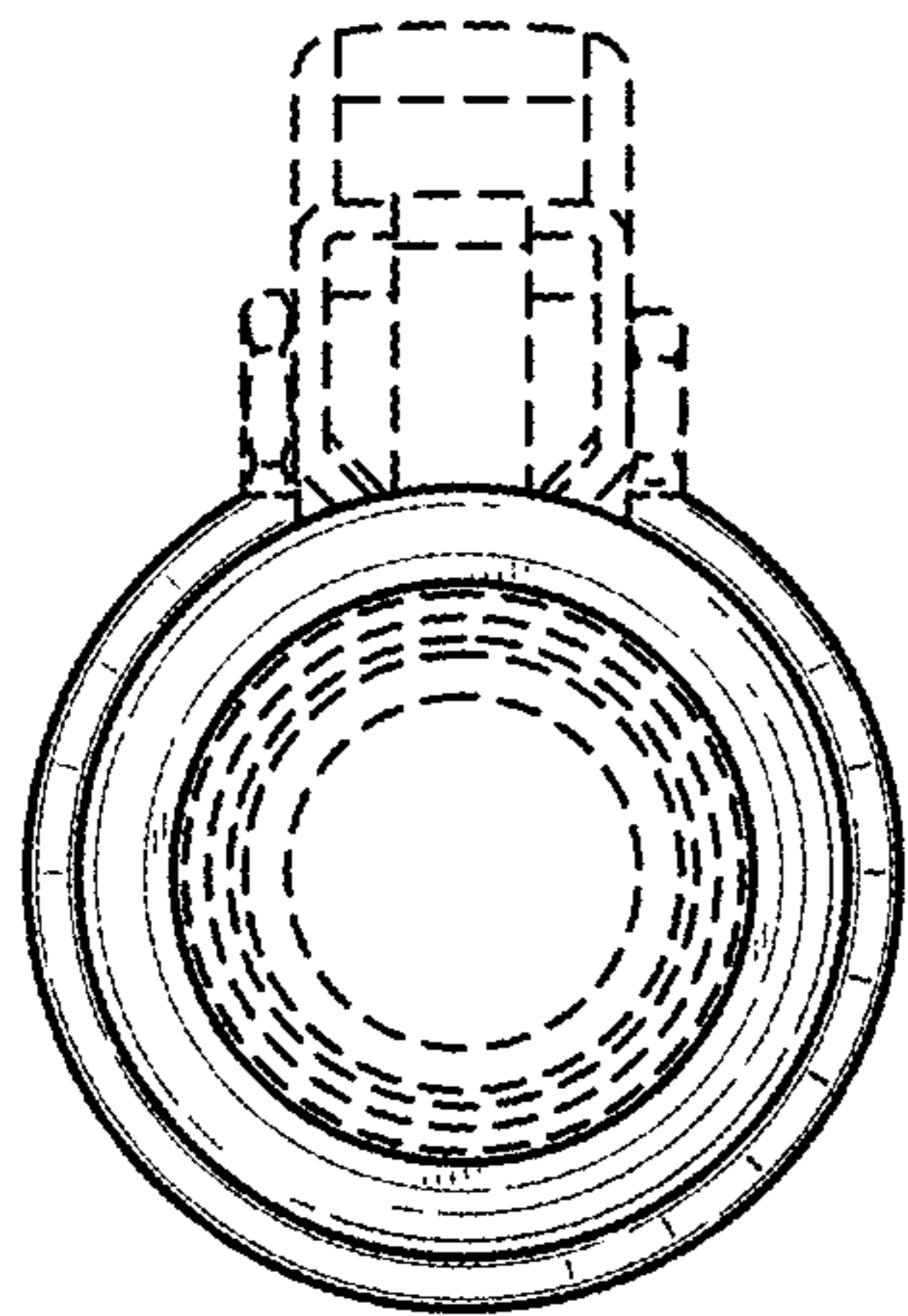


FIG. 6

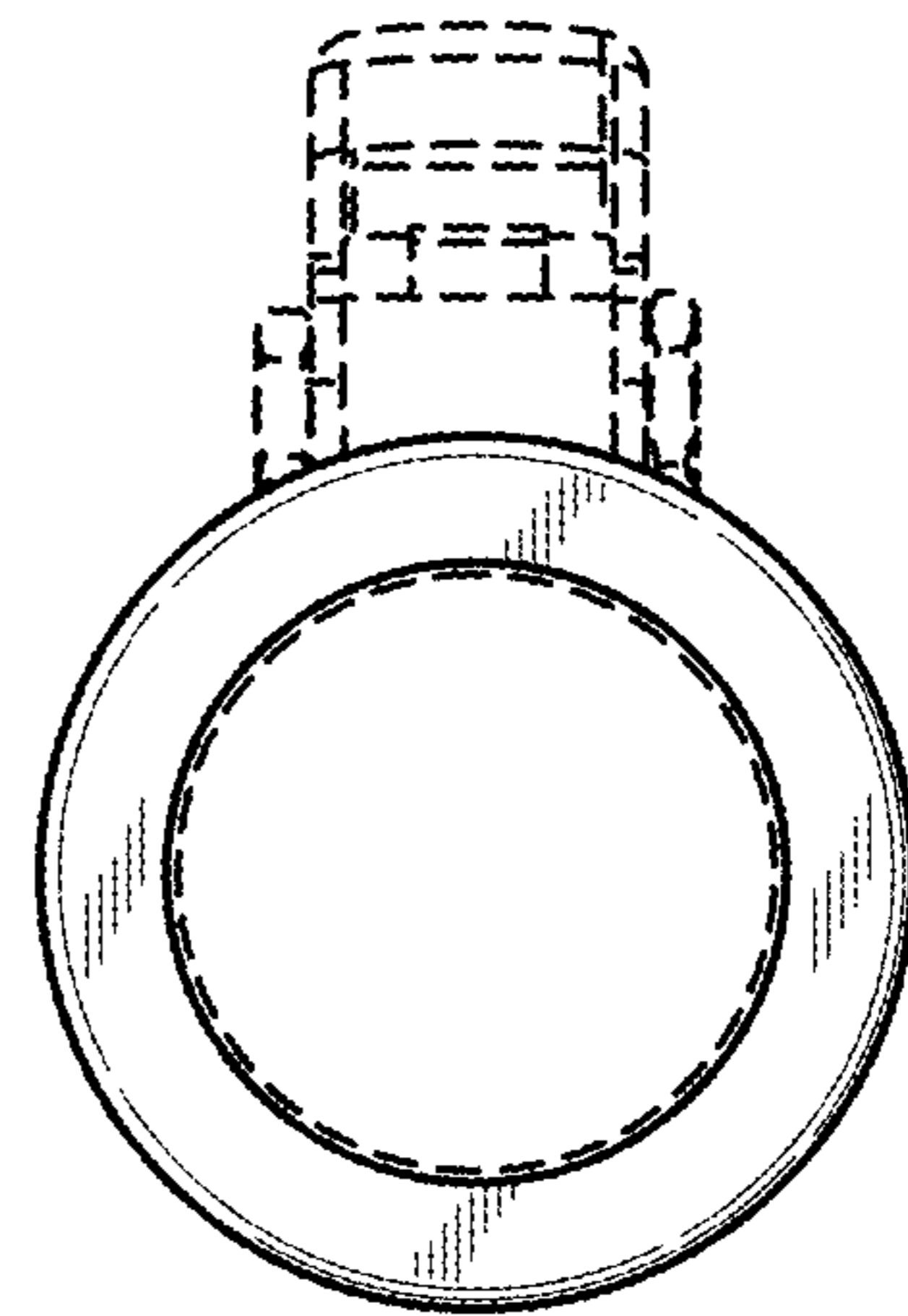


FIG. 7