



US00D702807S

(12) **United States Design Patent**
Richardson

(10) **Patent No.:** **US D702,807 S**
(45) **Date of Patent:** **** Apr. 15, 2014**

(54) **FISHING LURE**

(71) Applicant: **Don Richardson**, La Grange, CA (US)

(72) Inventor: **Don Richardson**, La Grange, CA (US)

(**) Term: **14 Years**

(21) Appl. No.: **29/466,235**

(22) Filed: **Sep. 5, 2013**

(51) **LOC (10) Cl.** **22-05**

(52) **U.S. Cl.**
USPC **D22/132**

(58) **Field of Classification Search**
USPC D22/126-133; 43/26.2, 42.1, 42.11,
43/42.24, 42.35, 44.8, 42.37, 42.05, 42.08,
43/42.09, 42.36, 43.2, 44.9, 44.91
See application file for complete search history.

(56) **References Cited**

U.S. PATENT DOCUMENTS

3,105,317 A * 10/1963 Fox 43/26.2
D363,527 S * 10/1995 Alexander D22/132
6,405,477 B1 * 6/2002 Huppert 43/44.8
D465,544 S * 11/2002 Brinkman D22/132

D587,336 S * 2/2009 Tsai D22/132
D645,932 S * 9/2011 Hardy et al. D22/132
D667,920 S * 9/2012 Dahlberg D22/132

OTHER PUBLICATIONS

Bass Pro Shops, 2013 Summer Angler Catalog, pp. 19-21.

* cited by examiner

Primary Examiner — Catheri Oliver-Garcia

(74) *Attorney, Agent, or Firm* — Mark D. Miller

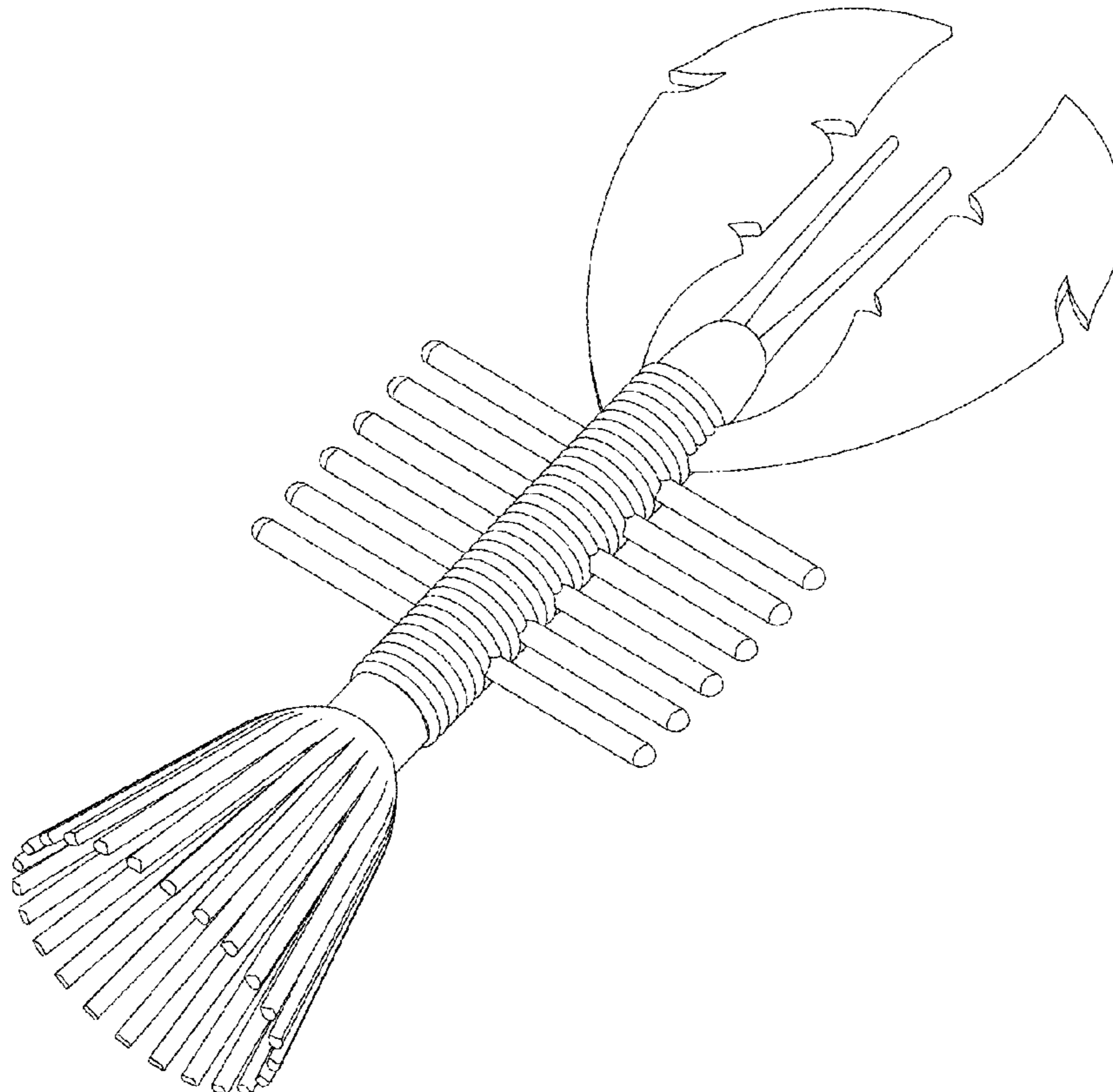
(57) **CLAIM**

I claim the ornamental design for a fishing lure, as shown and described.

DESCRIPTION

FIG. 1 is a rear perspective view of a fishing lure showing my new design;
FIG. 2 is a front perspective thereof;
FIG. 3 is a top plan view thereof;
FIG. 4 is a right side elevational view thereof;
FIG. 5 is a bottom plan view thereof;
FIG. 6 is a left side elevational view thereof;
FIG. 7 is a front elevational view thereof; and,
FIG. 8 is a rear elevational view thereof.

1 Claim, 3 Drawing Sheets



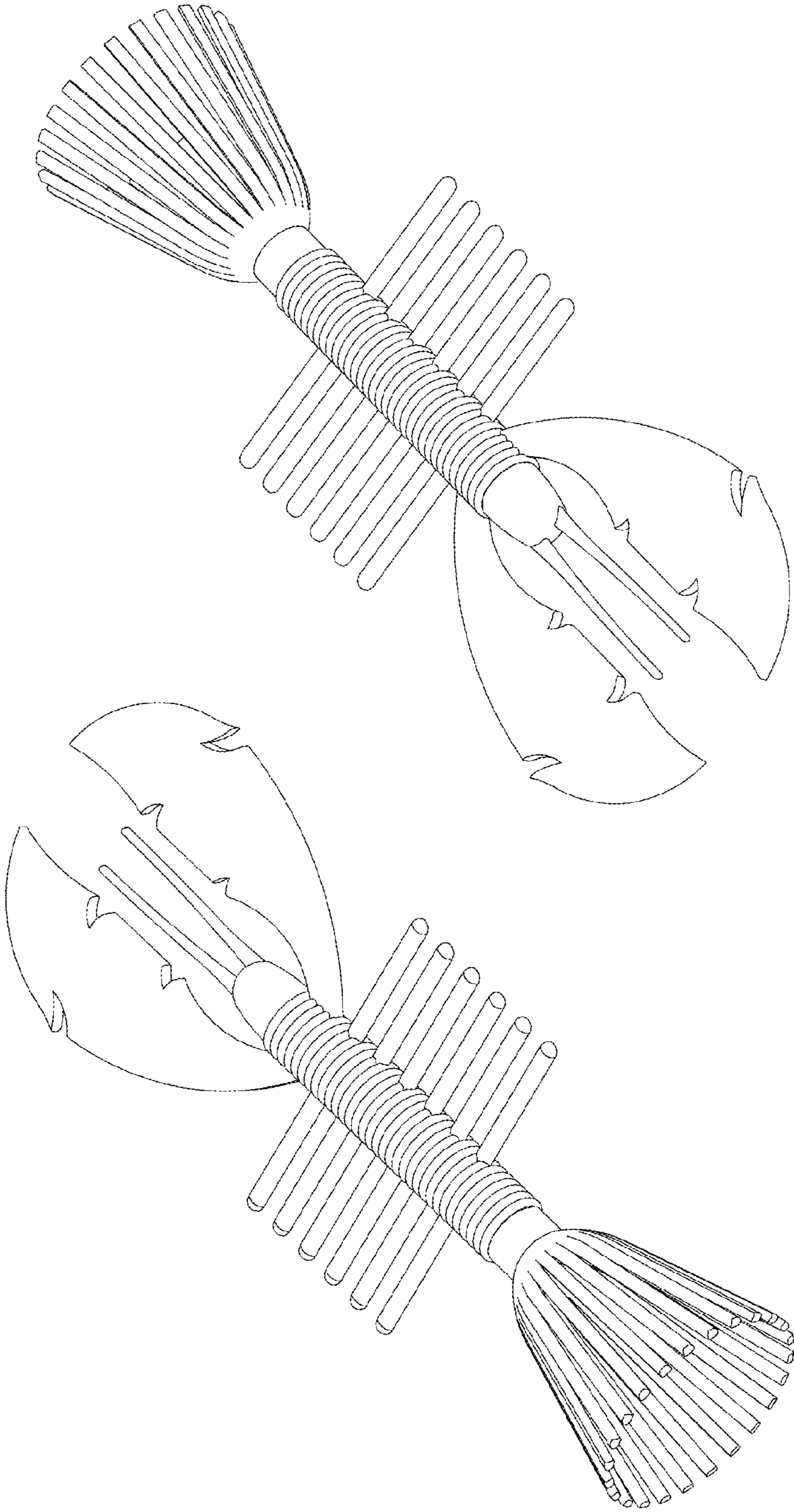


FIG. 2

FIG. 1

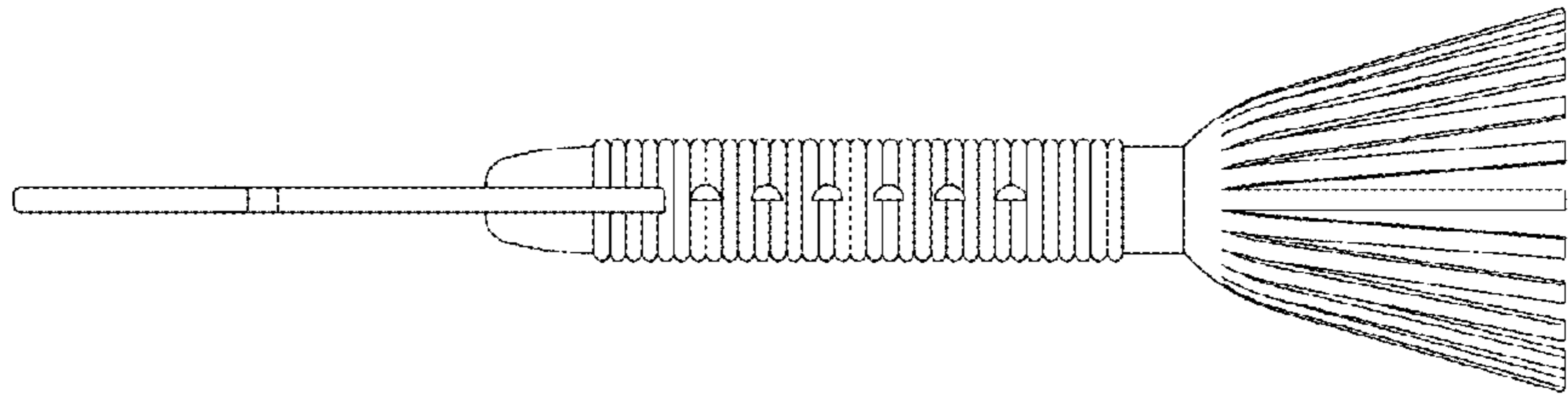


FIG. 6

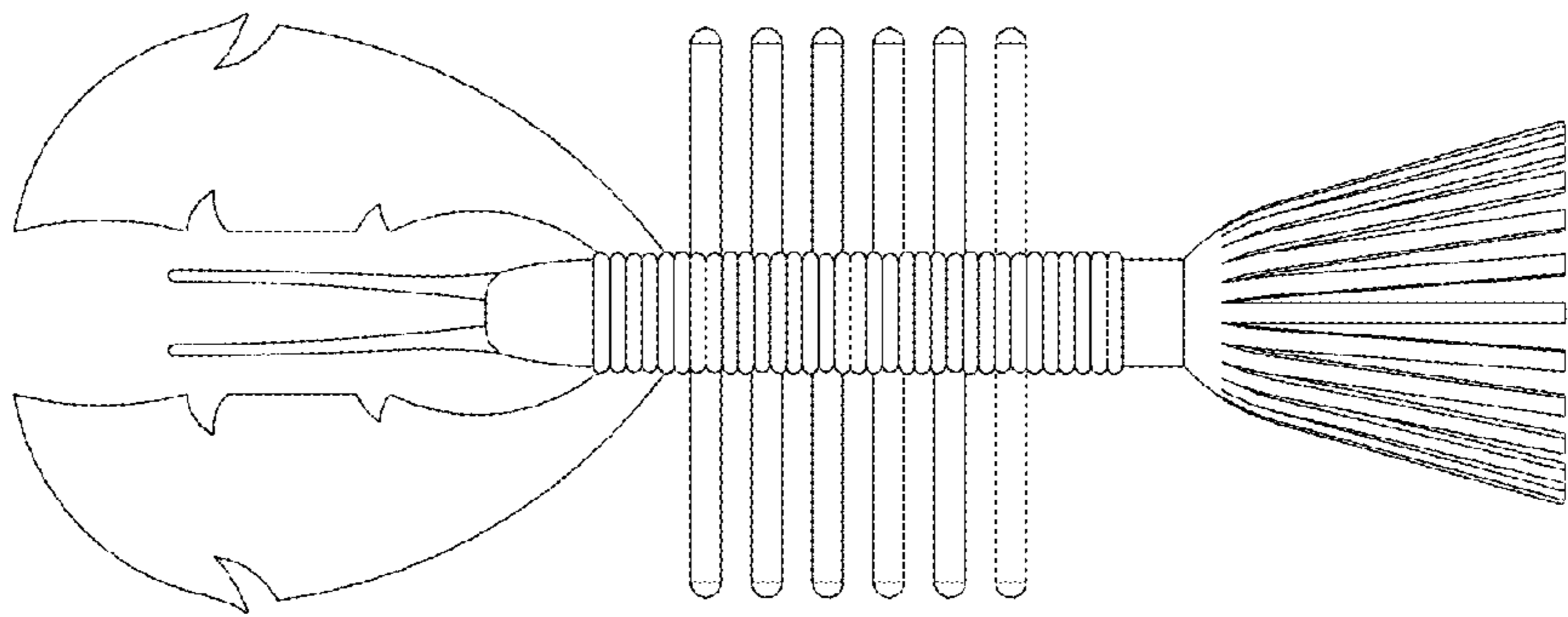


FIG. 5

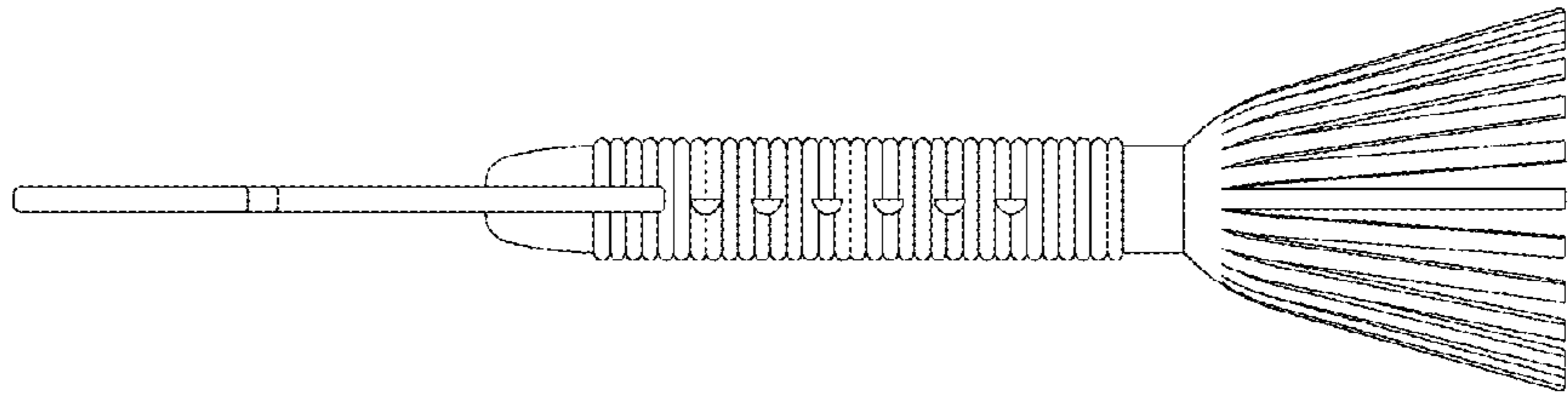


FIG. 4

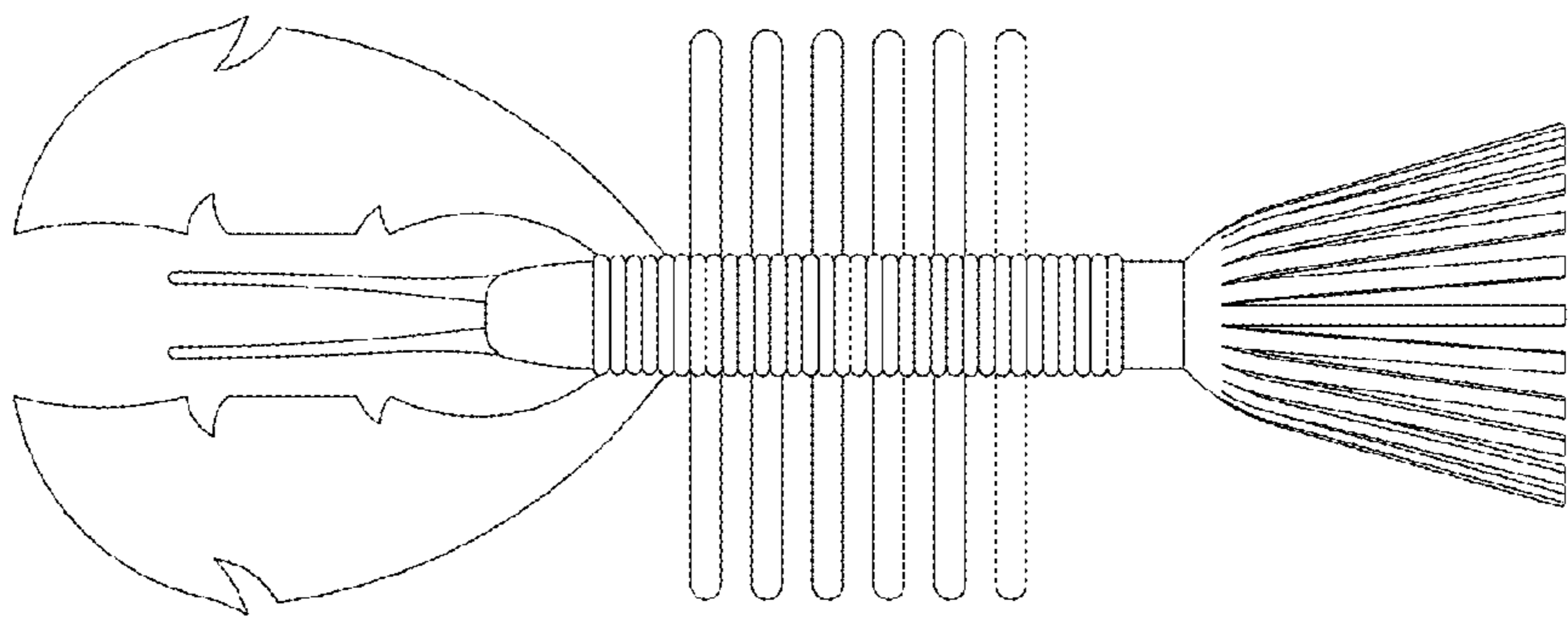


FIG. 3

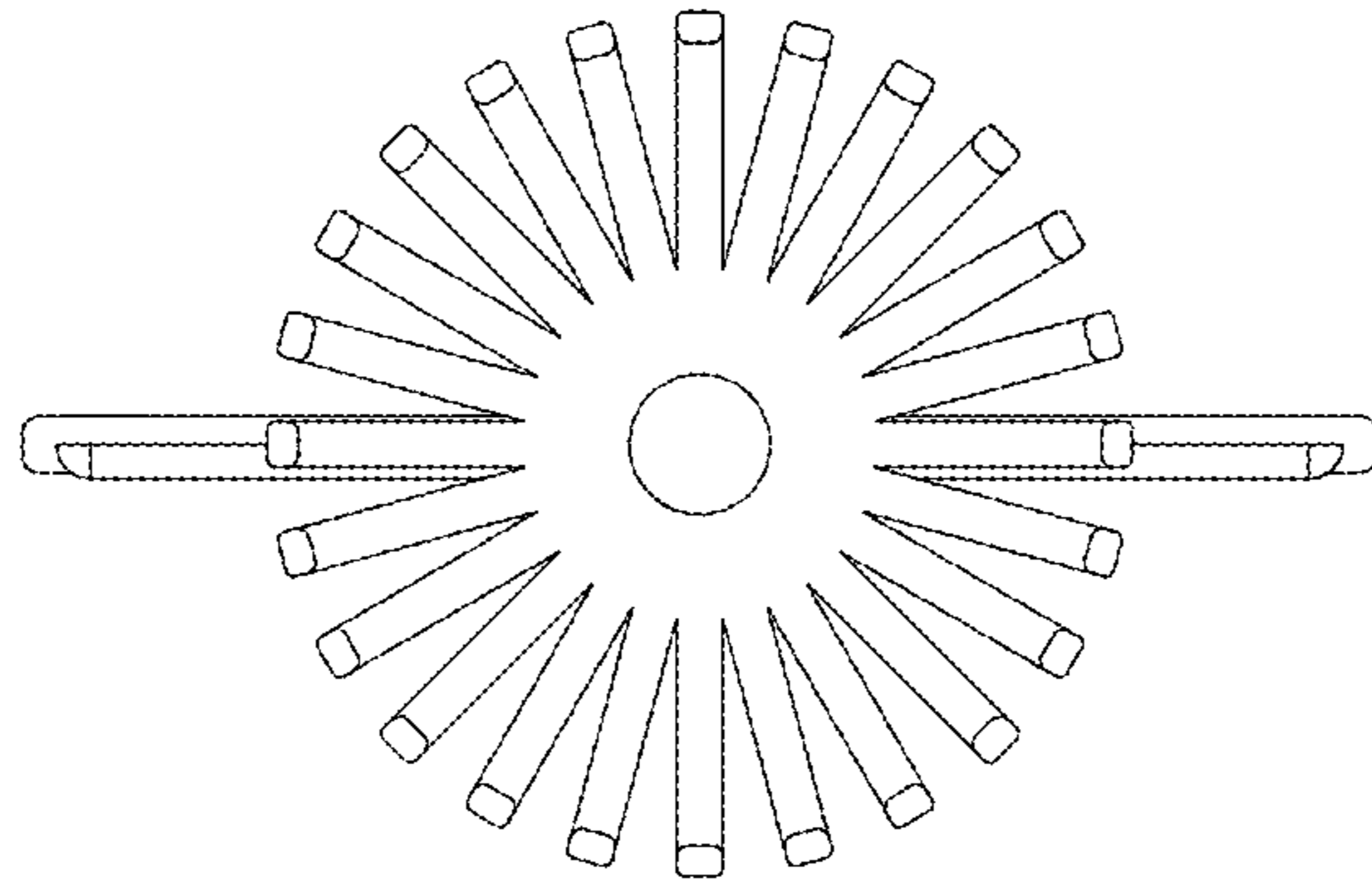


FIG. 8

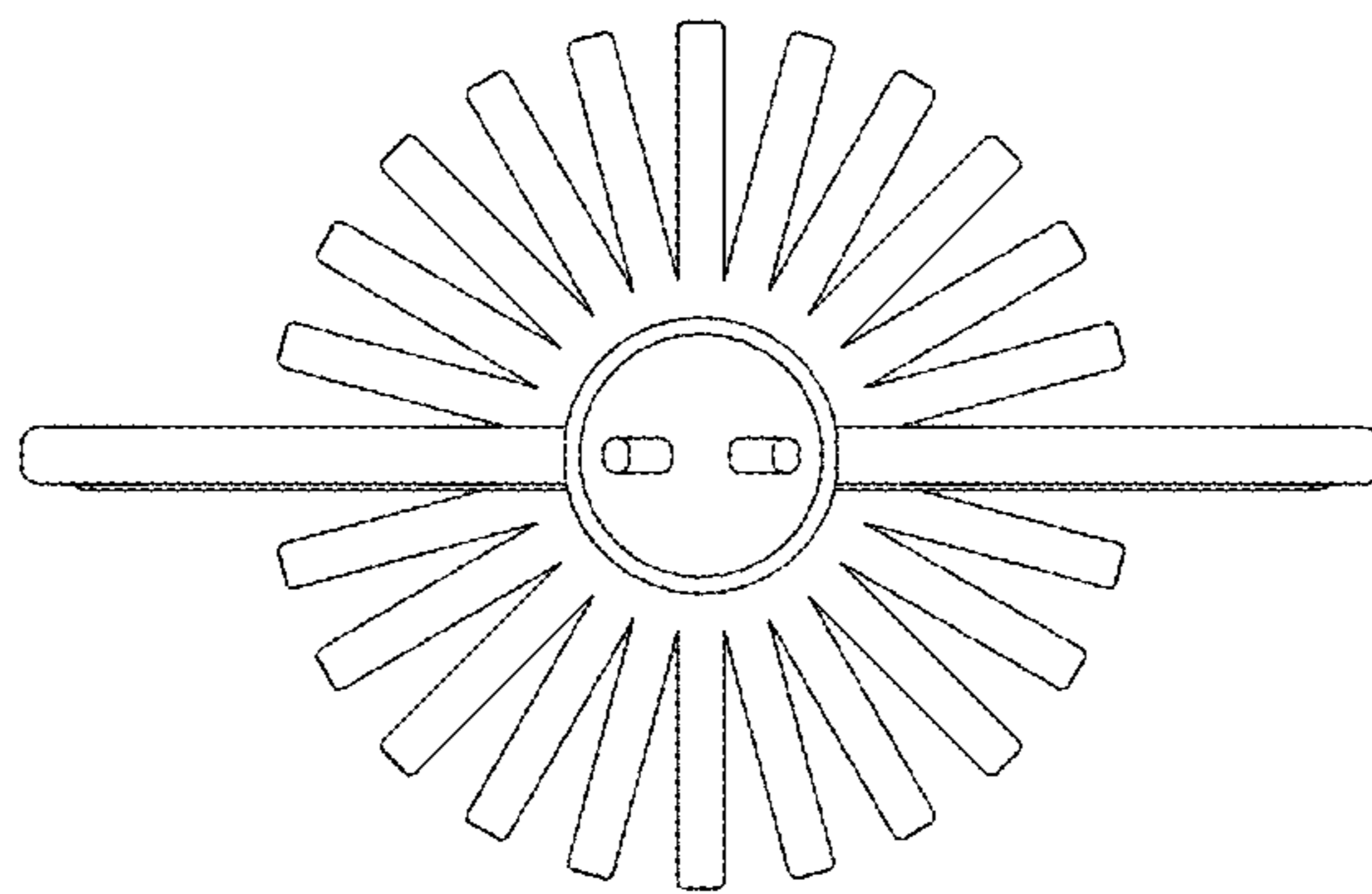


FIG. 7