



US00D702806S

(12) **United States Design Patent**
Rinaldi

(10) **Patent No.:** **US D702,806 S**

(45) **Date of Patent:** **** Apr. 15, 2014**

(54) **MOTORIZED FISHING LURE**

(71) Applicant: **Michael Rinaldi**, Haledon, NJ (US)

(72) Inventor: **Michael Rinaldi**, Haledon, NJ (US)

(**) Term: **14 Years**

(21) Appl. No.: **29/451,230**

(22) Filed: **Mar. 28, 2013**

(51) **LOC (10) Cl.** **22-05**

(52) **U.S. Cl.**
USPC **D22/130**

(58) **Field of Classification Search**
USPC D22/126-134; 43/26.1, 26.2, 42.27,
43/42.02, 17.1
See application file for complete search history.

(56) **References Cited**

U.S. PATENT DOCUMENTS

D79,681 S * 10/1929 Wright et al. D22/130
D172,024 S * 4/1954 Hogreff D22/132
D182,021 S * 2/1958 Elrod D22/132

4,038,773 A * 8/1977 Castelletti et al. 43/26.2
D337,147 S * 7/1993 Tomaszewski D22/132
5,694,714 A * 12/1997 Basso et al. 43/26.2
6,925,747 B1 * 8/2005 Swanson 43/42.02
D691,694 S * 10/2013 Marshall D22/126

* cited by examiner

Primary Examiner — Catheri Oliver-Garcia

(74) *Attorney, Agent, or Firm* — Steven B. Stein, Esq.

(57) **CLAIM**

The ornamental design for a motorized fishing lure, as shown.

DESCRIPTION

FIG. 1. a perspective view of a motorized fishing lure showing my new design.

FIG. 2. a side view of the fishing lure.

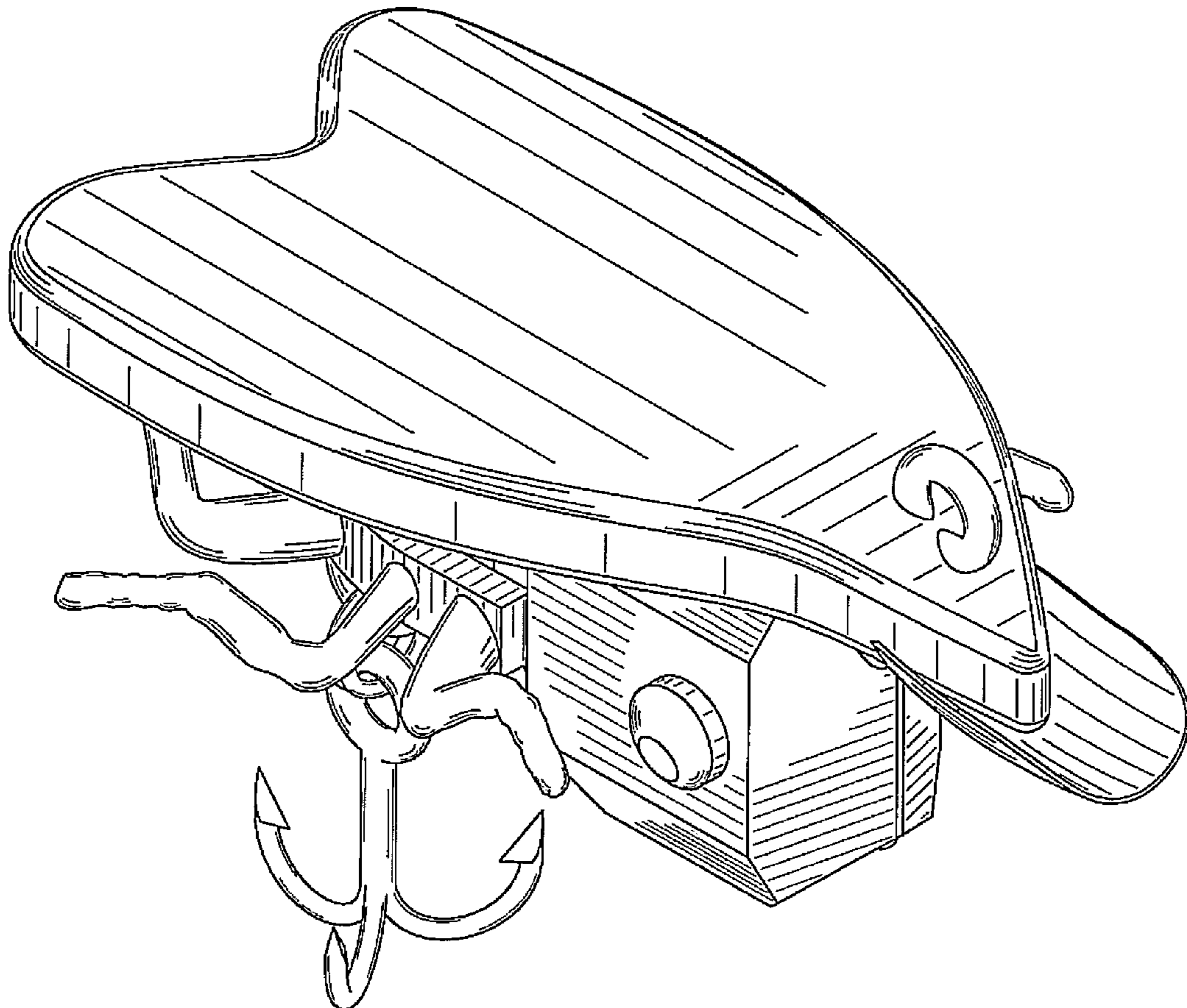
FIG. 3. a top view of the child car seat.

FIG. 4. a bottom view of the child car seat.

FIG. 5. a front view of the child car seat; and,

FIG. 6. a rear view of the child car seat.

1 Claim, 6 Drawing Sheets



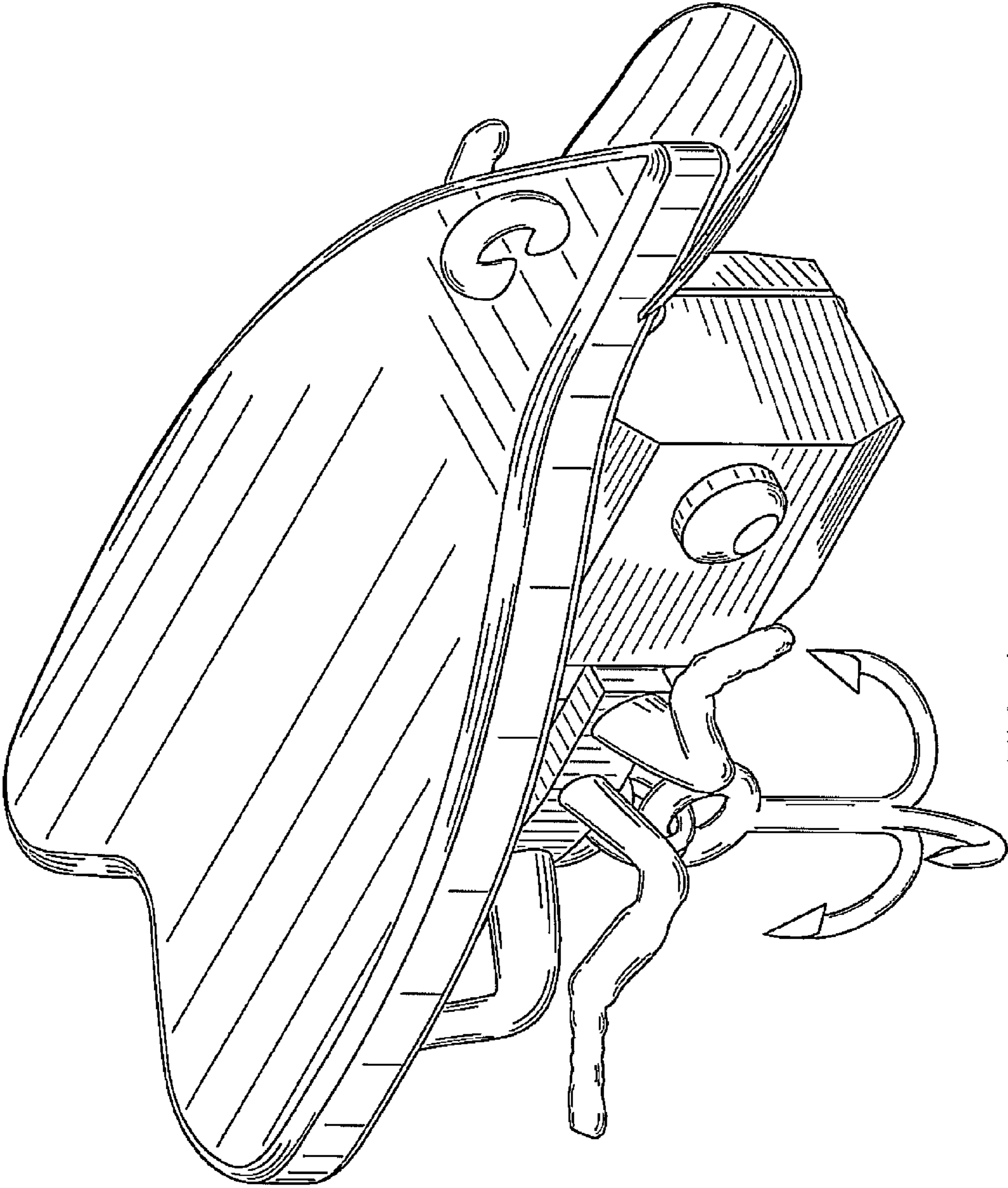


FIG. 1

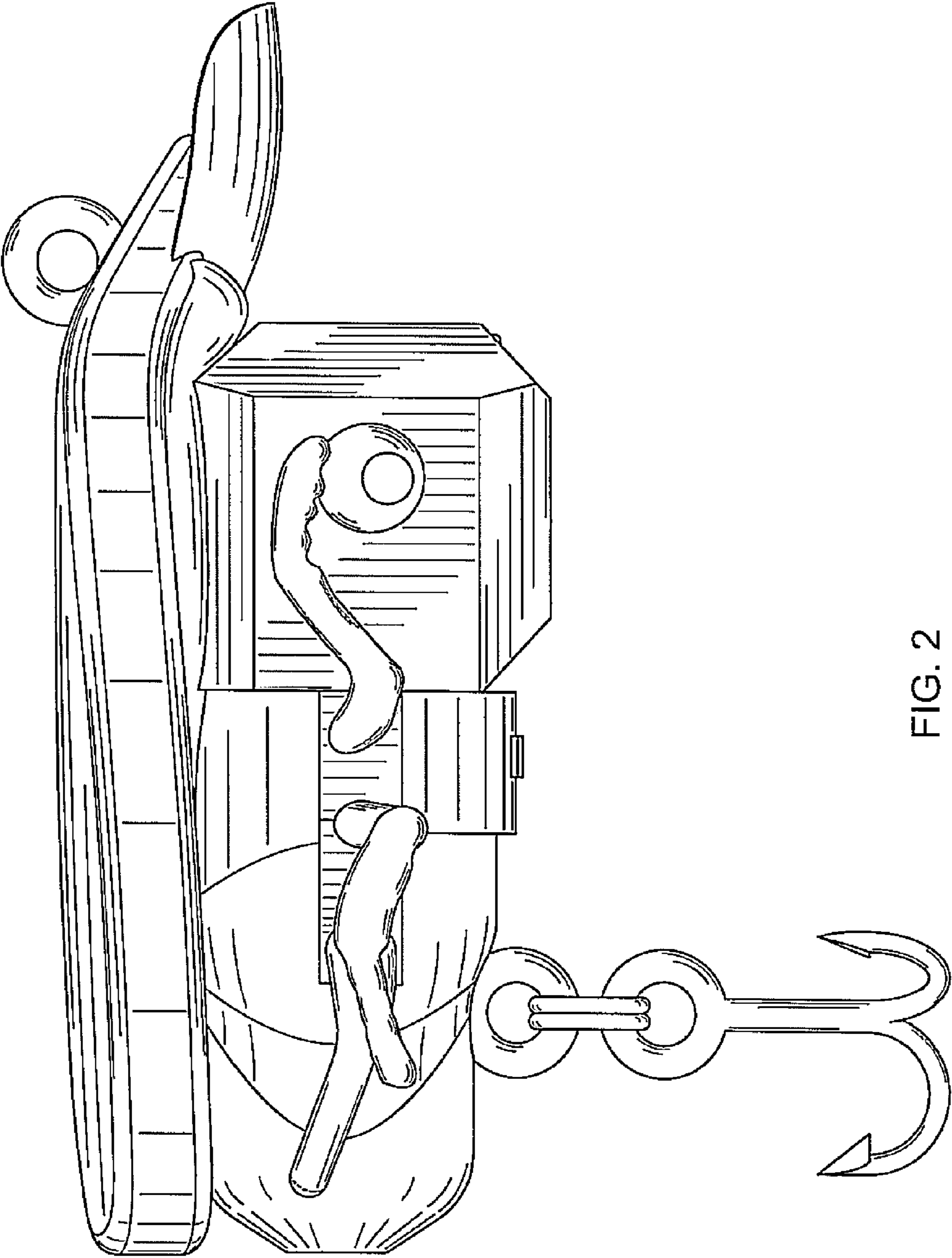


FIG. 2

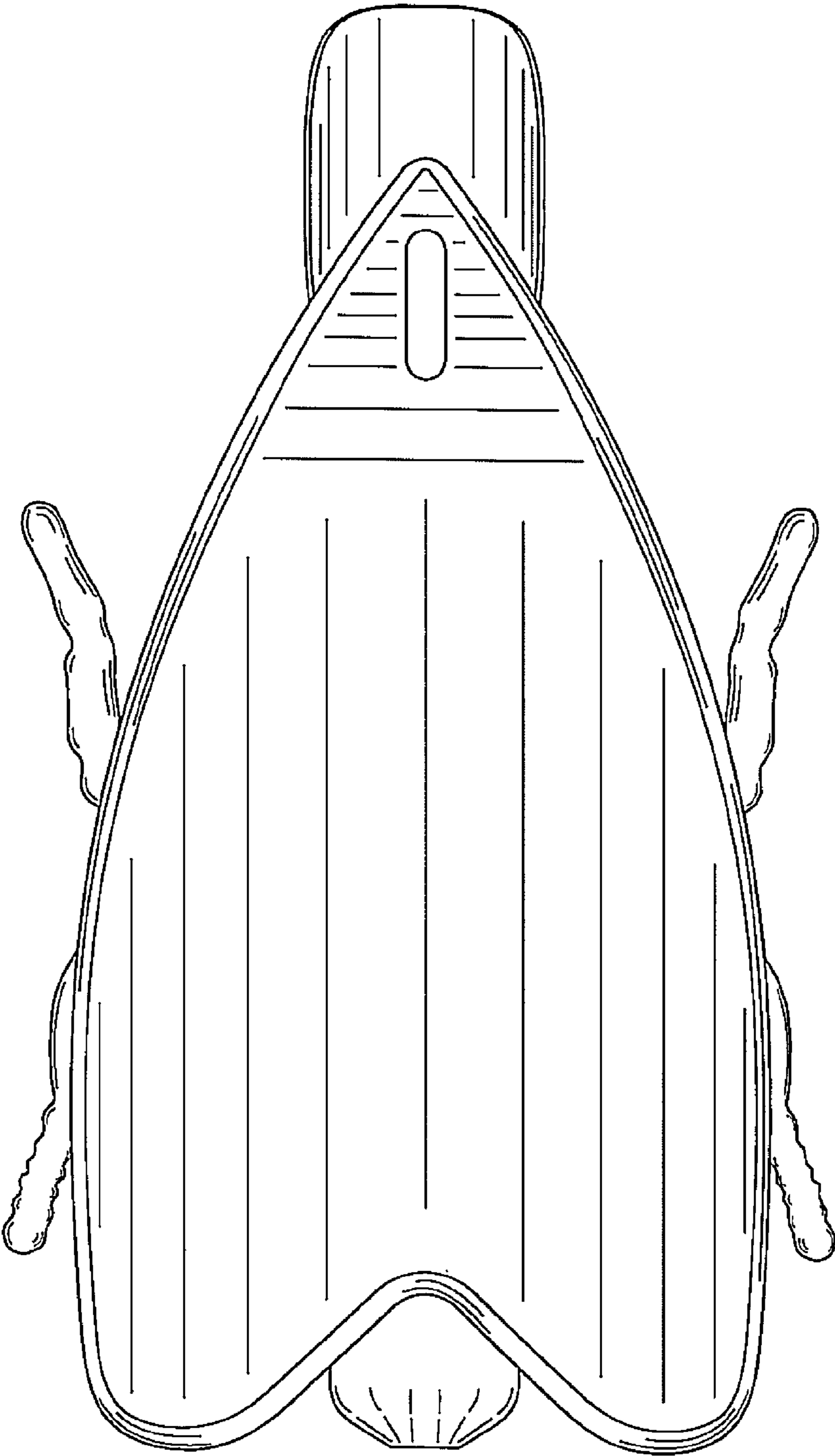


FIG. 3

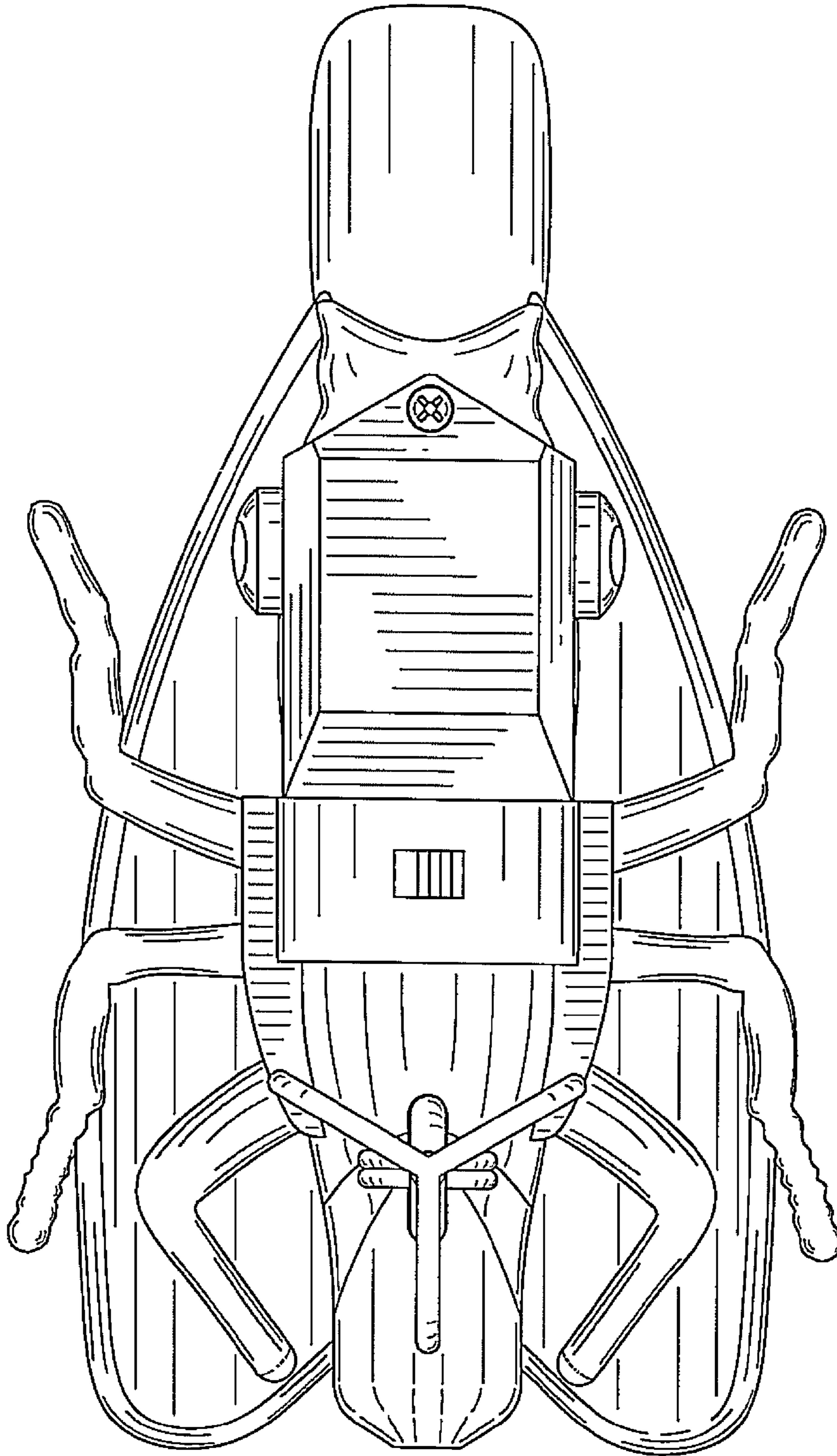


FIG. 4

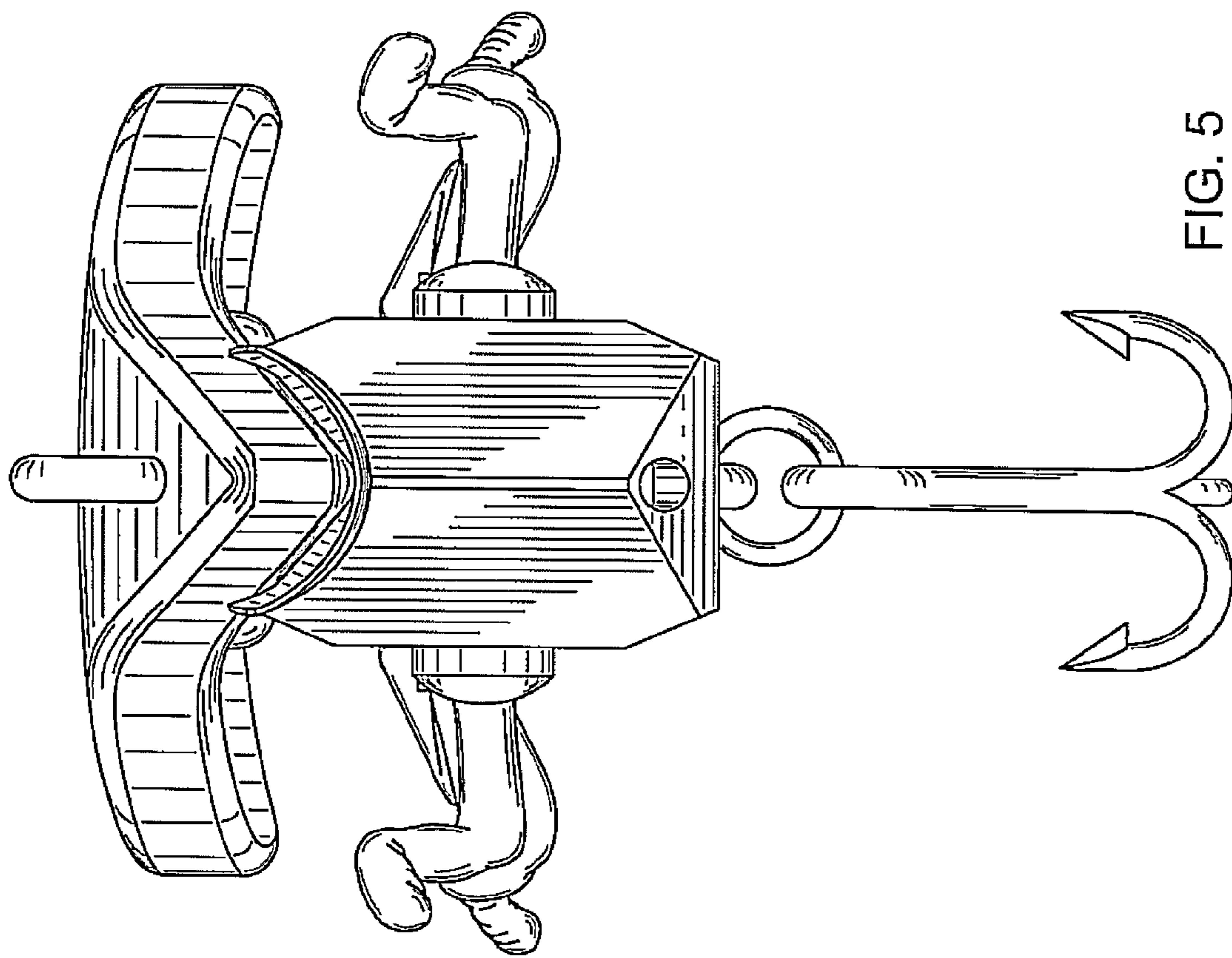


FIG. 5

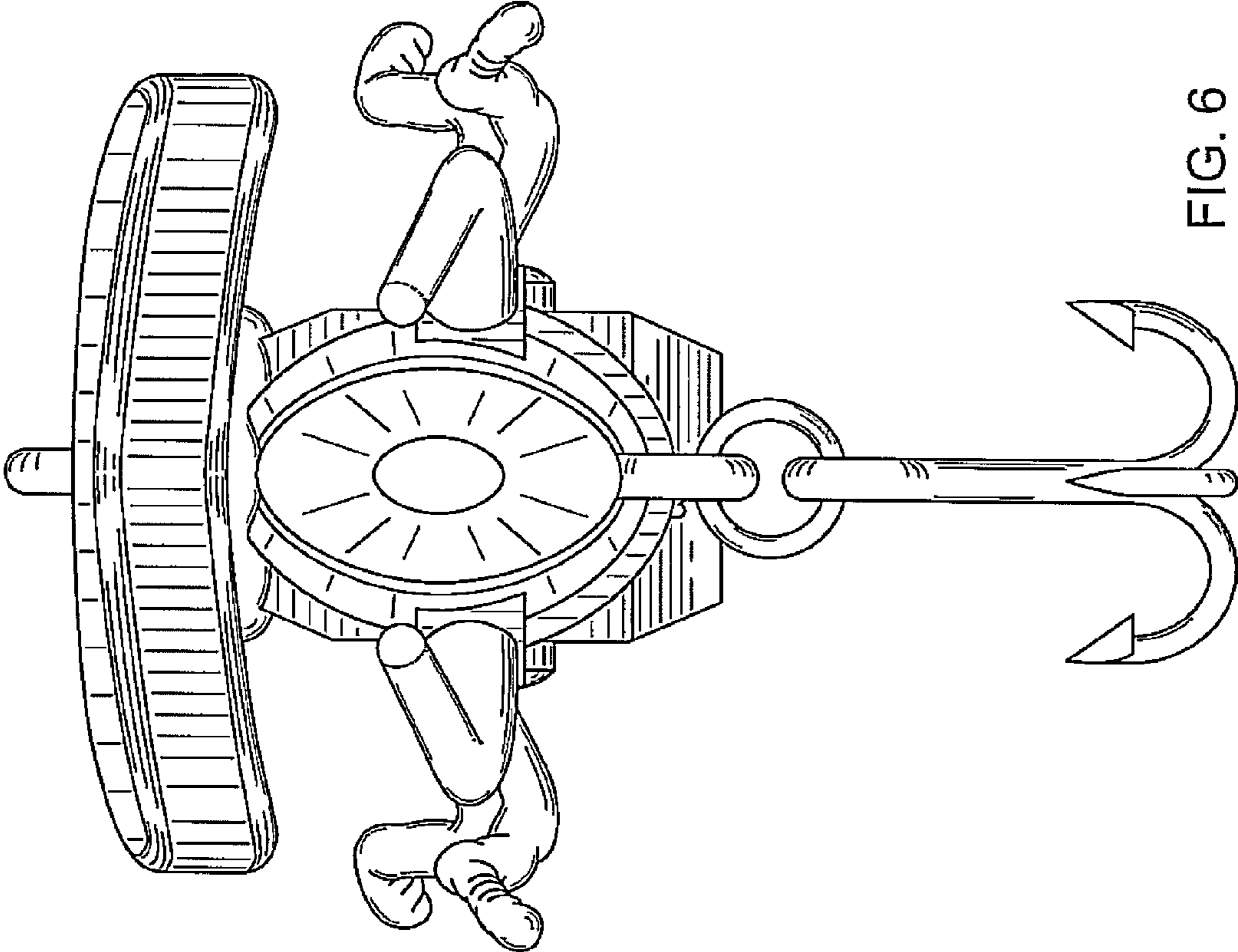


FIG. 6