



US00D702802S

(12) **United States Design Patent**
Marshall, Jr.

(10) **Patent No.:** **US D702,802 S**
(45) **Date of Patent:** **** Apr. 15, 2014**

(54) **FLETCH HOLDER FOR AN ARROW**

(71) Applicant: **John F. Marshall, Jr.**, Destin, FL (US)

(72) Inventor: **John F. Marshall, Jr.**, Destin, FL (US)

(**) Term: **14 Years**

(21) Appl. No.: **29/444,292**

(22) Filed: **Jan. 29, 2013**

4,651,999 A *	3/1987	Sturm	473/575
4,886,280 A	12/1989	Bottelsen		
5,207,434 A *	5/1993	Oudekerk	473/586
5,427,385 A	6/1995	Conrad et al.		
5,443,273 A	8/1995	Lovorn		
5,987,724 A	11/1999	Kleman		
6,478,700 B2	11/2002	Hartman		
6,695,727 B1	2/2004	Kuhn		
7,074,143 B2 *	7/2006	Czemske et al.	473/586
7,874,947 B1 *	1/2011	Wolfenbarger et al.	473/578
8,267,817 B2	9/2012	Marshall et al.		

(Continued)

OTHER PUBLICATIONS

<http://www.northcarolinasportsman.com/details.php?id=1915>[Mar. 5, 2013 1:07:20 PM].*

<http://www.bowhunting.com/publisher/hunting-news/2011/8/11/introducing-nufletch-spectrum-light--new-for-2011>[Mar. 5, 2013 1:08:48 PM].*

(Continued)

Primary Examiner — Michael A Pratt

(74) *Attorney, Agent, or Firm* — Baker & Hostetler LLP

(57) **CLAIM**

The ornamental design for a fletch holder for an arrow, as shown and described.

DESCRIPTION

FIG. 1 is a top view of a fletch holder for an arrow showing the claimed new design;

FIG. 2 is a bottom view thereof;

FIG. 3 is a side view thereof;

FIG. 4 is a front view thereof; and,

FIG. 5 is a rear view thereof.

The broken lines in FIGS. 1-5 showing fletchings—also called vanes or feathers—and nock, and/or portions thereof, in association with the claimed design are included for purposes of illustrating environment and form no part of the claimed design.

The claimed fletch holder for an arrow is used for capturing and holding fletchings in proper alignment and is configured for affixation to the shaft of the arrow.

1 Claim, 2 Drawing Sheets

Related U.S. Application Data

(63) Continuation of application No. 12/714,064, filed on Feb. 26, 2010, now Pat. No. 8,382,616, which is a continuation-in-part of application No. 11/805,590, filed on May 24, 2007, now Pat. No. 7,892,119, which is a continuation-in-part of application No. 11/657,676, filed on Jan. 24, 2007, now Pat. No. 7,758,457.

(51) **LOC (10) Cl.** **22-01**

(52) **U.S. Cl.**
USPC **D22/108**

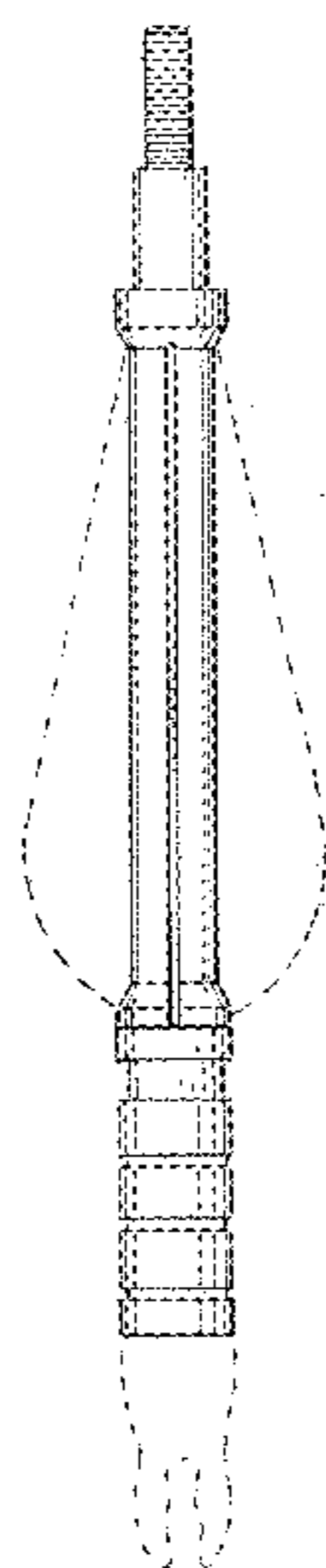
(58) **Field of Classification Search**
USPC D22/100-104, 107-109; 124/86-92,
124/16-29

See application file for complete search history.

(56) **References Cited**

U.S. PATENT DOCUMENTS

113,835 A	4/1871	Barton		
119,815 A	10/1871	Brintzinghoffer		
509,364 A	11/1893	Coffeen		
1,130,324 A	3/1915	Owen		
1,789,575 A	1/1931	Allen		
1,842,540 A	1/1932	Cowdery		
2,484,589 A *	10/1949	Richards	473/578
2,782,036 A	2/1957	Folberth		
3,071,127 A	1/1963	Spack		
4,114,884 A	9/1978	Tunncliffe		
4,534,568 A *	8/1985	Tone	473/583



(56)

References Cited

U.S. PATENT DOCUMENTS

8,382,616 B2 * 2/2013 Marshall 473/578
2006/0258491 A1 11/2006 Walsh
2007/0173359 A1 7/2007 Mowery et al.
2008/0176682 A1 7/2008 Marshall
2008/0176683 A1 7/2008 Marshall
2010/0167849 A1 * 7/2010 Malucelli 473/586
2011/0111895 A1 * 5/2011 Andrews 473/586
2012/0172159 A1 * 7/2012 Green et al. 473/584
2012/0220399 A1 * 8/2012 Ferguson 473/570
2012/0270688 A1 * 10/2012 Webber et al. 473/582

OTHER PUBLICATIONS

North Carolina Sportsman, "NuFletch arrow inserts", <http://www.northcarolinasportsman.com/details.php?id=1915>, Jun. 1, 2011, 2 pages.
Bowhunting.com, "Introducing NuFletch Spectrum Light—NEW for 2011", <http://www.bowhunting.com/publisher/hunting-news/2011/8/11/introducing-nufletch-spectrum-light--new-for-2011>, accessed Mar. 5, 2013, 2 pages.
"NuFletch Spectrum Vane System, 6/pk., X Bolt, Offset, 2", Black", Google Images, Jan. 30, 2011, <http://www.google.com/...&page=1&tbnh=138&tbnw=151&start=0&ndsp=77&ved=it:429,r:7,s:0,1:102&biw=1786&bih=1188>, 1 page.

* cited by examiner

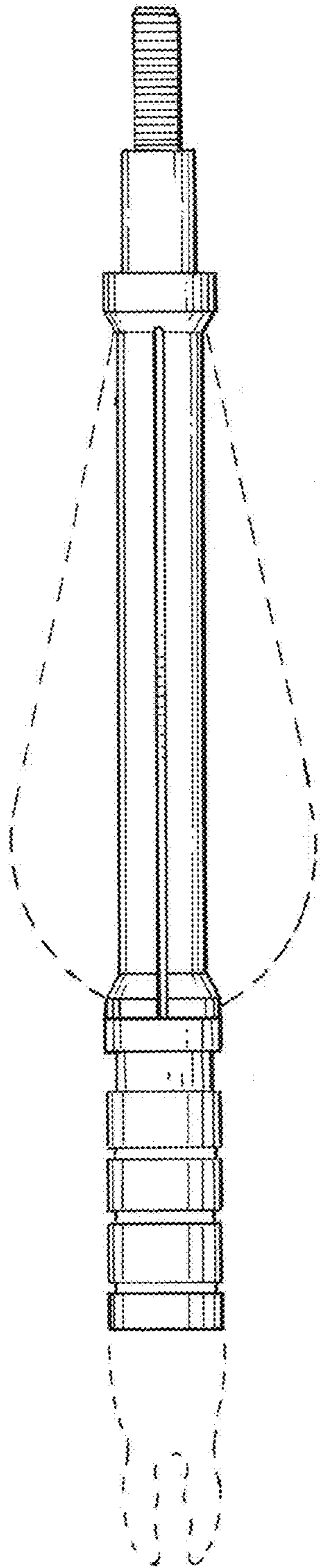


Fig. 1

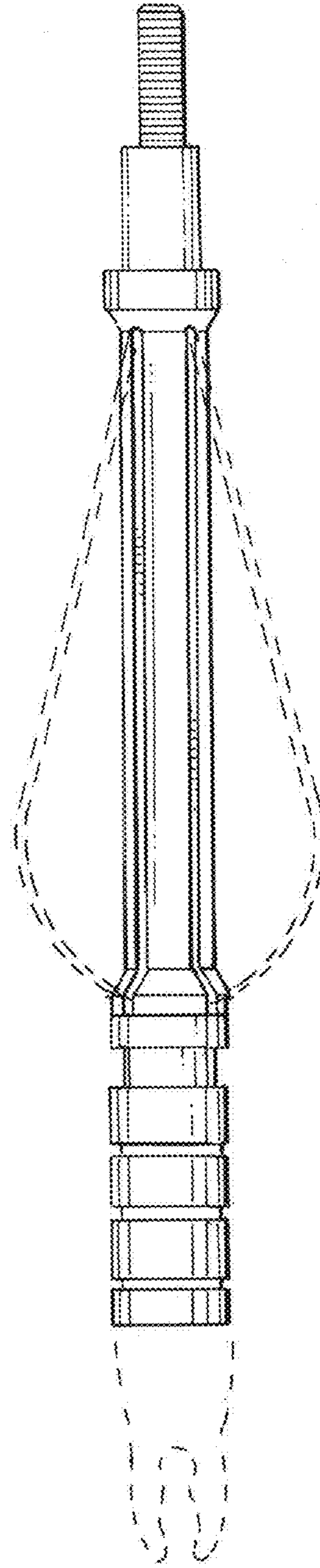


Fig. 2

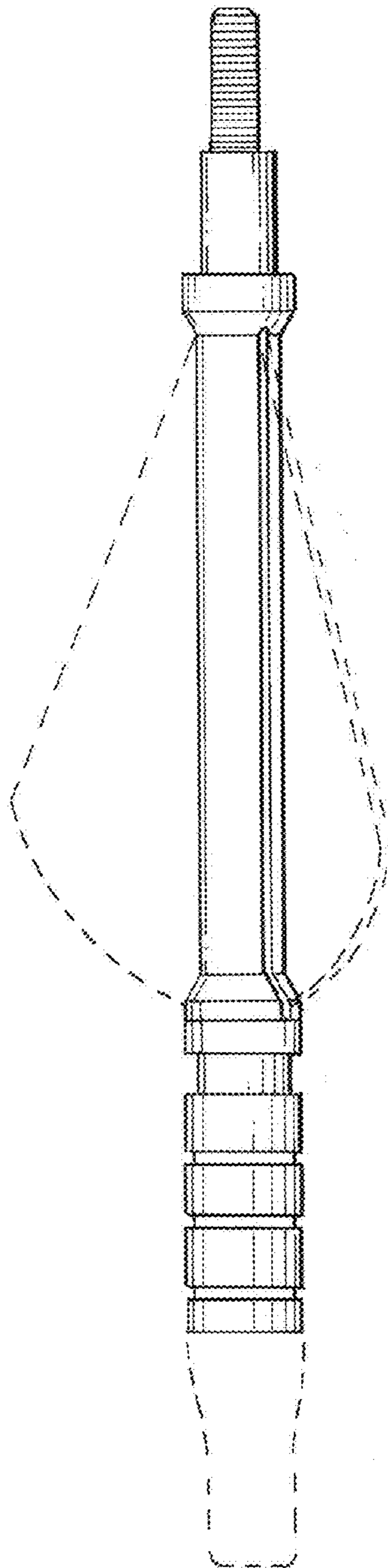


Fig. 3

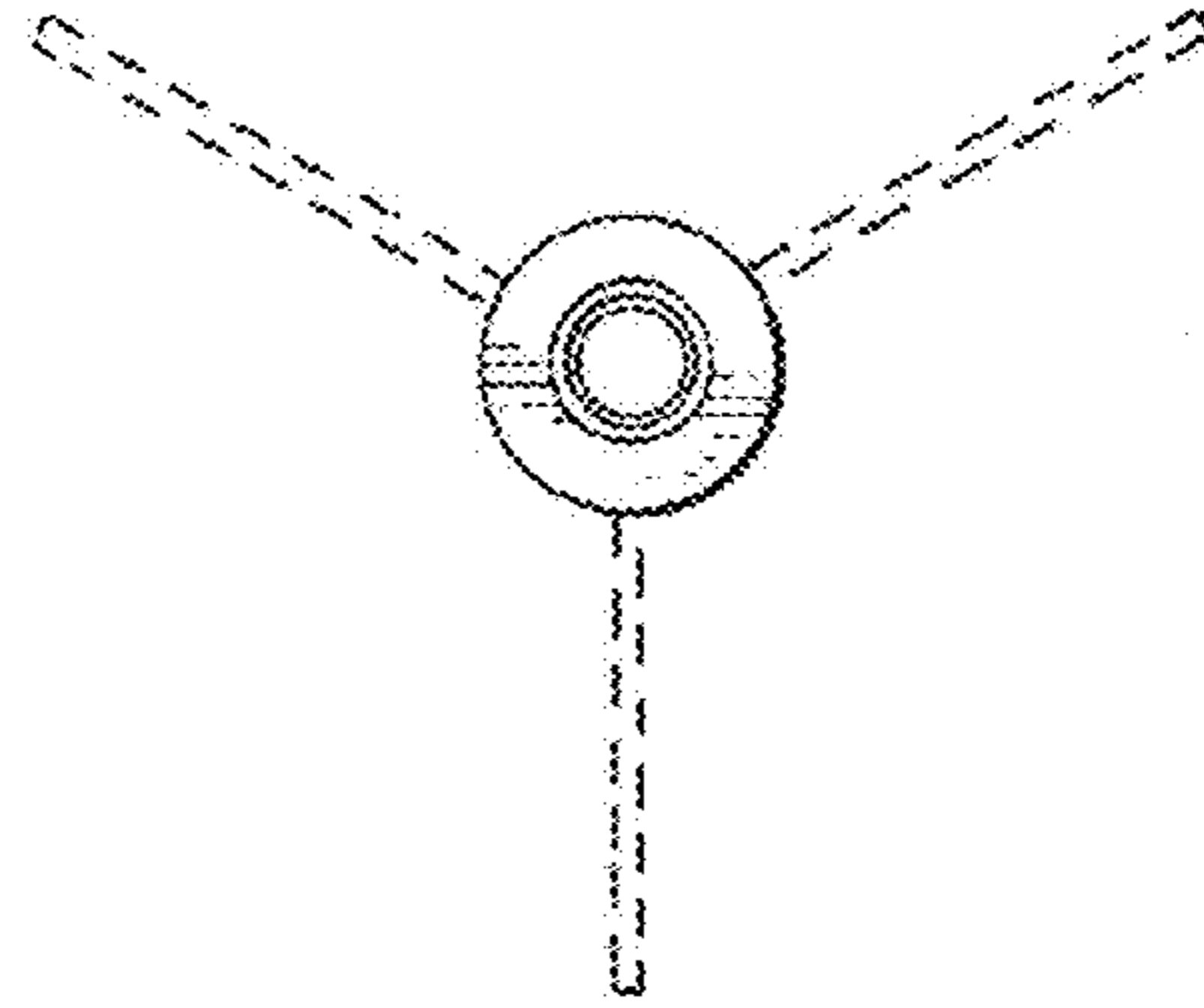


Fig. 4

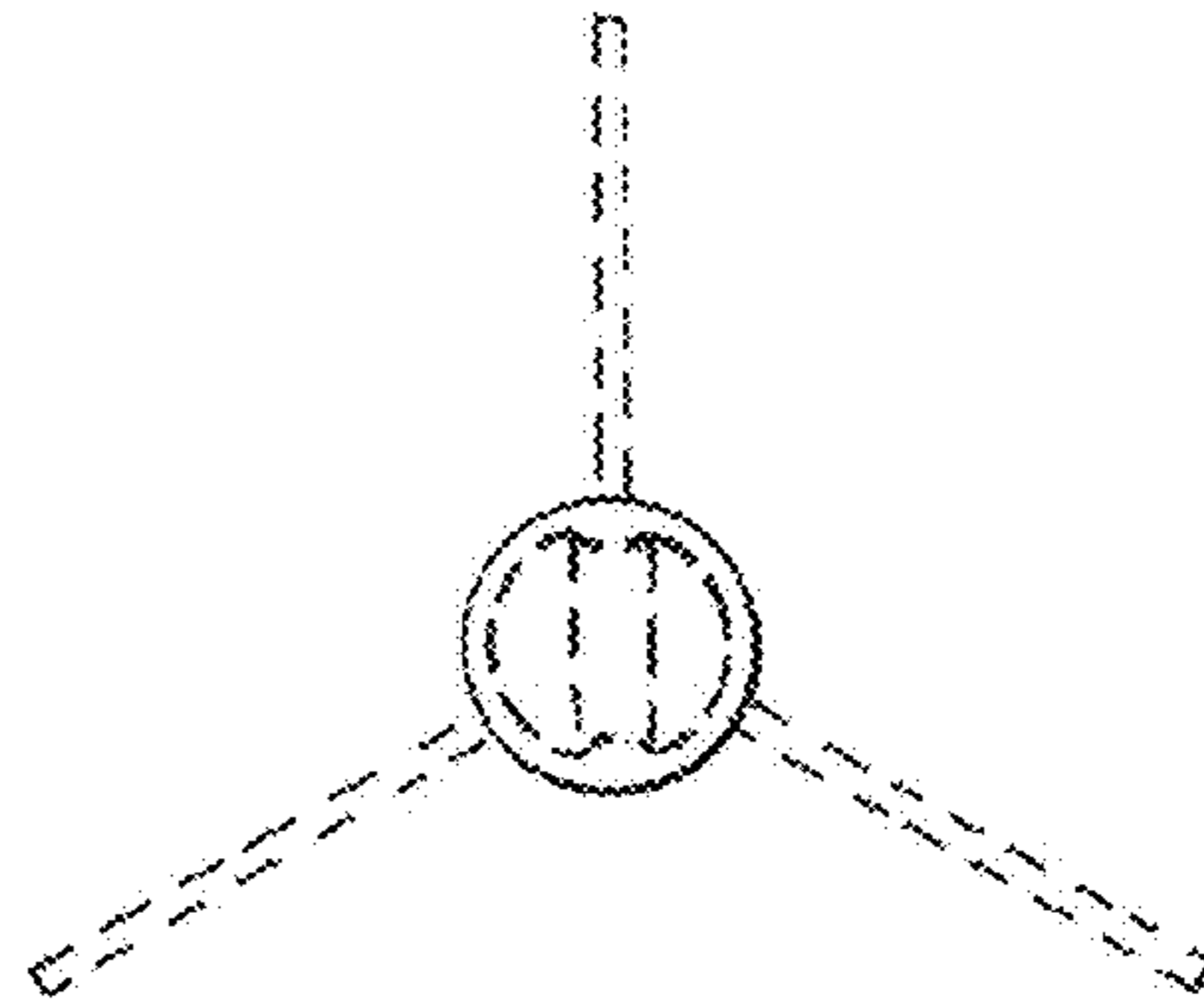


Fig. 5