



US00D702801S

(12) **United States Design Patent**
Larson et al.

(10) **Patent No.:** **US D702,801 S**
(45) **Date of Patent:** **** Apr. 15, 2014**

- (54) **TRIGGER GUARD**
- (71) Applicant: **Rock River Arms, Inc.**, Colona, IL (US)
- (72) Inventors: **Mark Larson**, Colona, IL (US); **Lester Larson, Jr.**, Colona, IL (US)
- (73) Assignee: **Rock River Arms, Inc.**, Colona, IL (US)
- (**) Term: **14 Years**
- (21) Appl. No.: **29/438,524**
- (22) Filed: **Nov. 30, 2012**
- (51) **LOC (10) Cl.** **22-01**
- (52) **U.S. Cl.**
USPC **D22/108**
- (58) **Field of Classification Search**
USPC D22/108; 42/42.02–42.03, 70.07;
89/37.04; 124/72, 74, 31
See application file for complete search history.

(56) **References Cited**
U.S. PATENT DOCUMENTS

2,590,858	A	4/1952	Harvey
3,713,242	A	1/1973	Seifried
3,857,322	A	12/1974	Lichtman
3,960,053	A	6/1976	Conley
4,276,708	A	7/1981	Chase
4,640,036	A	2/1987	Gal
5,012,604	A	5/1991	Rogers
5,235,771	A	8/1993	Sokol et al.
5,827,992	A	10/1998	Harris et al.
5,854,440	A	12/1998	Canaday et al.
5,926,989	A	7/1999	Oliver, Sr.
5,980,242	A	11/1999	Man
6,634,128	B1	10/2003	Vastag
6,634,129	B1	10/2003	Freeman, Jr.

6,708,685	B2	3/2004	Masse	
6,968,642	B1	11/2005	Leung	
7,000,345	B1	2/2006	Kay	
7,275,327	B2	10/2007	Deien	
D584,373	S	1/2009	Young	
D596,693	S	7/2009	Nakayama	
D627,415	S	11/2010	Finn	
2009/0120420	A1	5/2009	Tippmann et al.	124/73
2009/0241395	A1	10/2009	Barnett	42/16
2009/0241931	A1	10/2009	Masse	124/76
2010/0077914	A1*	4/2010	Steimke et al.	89/156

* cited by examiner

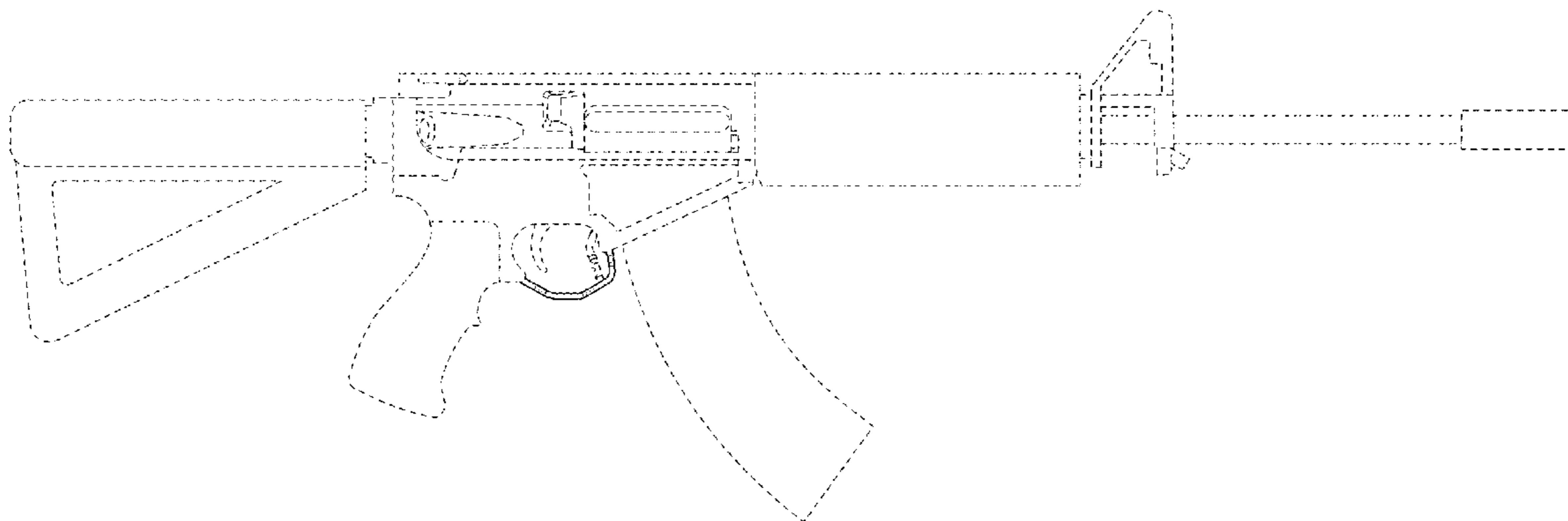
Primary Examiner — Michael A Pratt
(74) *Attorney, Agent, or Firm* — Banner & Witcoff, Ltd.

(57) **CLAIM**
The ornamental design for a trigger guard, as shown and described.

DESCRIPTION

FIG. 1 is a left side view of a trigger guard showing our new design applied to an exemplary firearm;
FIG. 2 is an enlarged bottom left perspective view thereof;
FIG. 3 is an enlarged left side view thereof;
FIG. 4 is an enlarged top rear left perspective view thereof;
and,
FIG. 5 is an enlarged top rear right perspective view thereof.
The uneven-length broken lines in FIGS. 2-5 are imaginary break lines and form no part of the claimed design. The even-length broken lines immediately adjacent to the shaded area represent unclaimed boundaries of the claimed design. The remaining even-length broken lines showing the remainder of the exemplary firearm are for environmental purposes only and form no part of the claimed design.

1 Claim, 3 Drawing Sheets



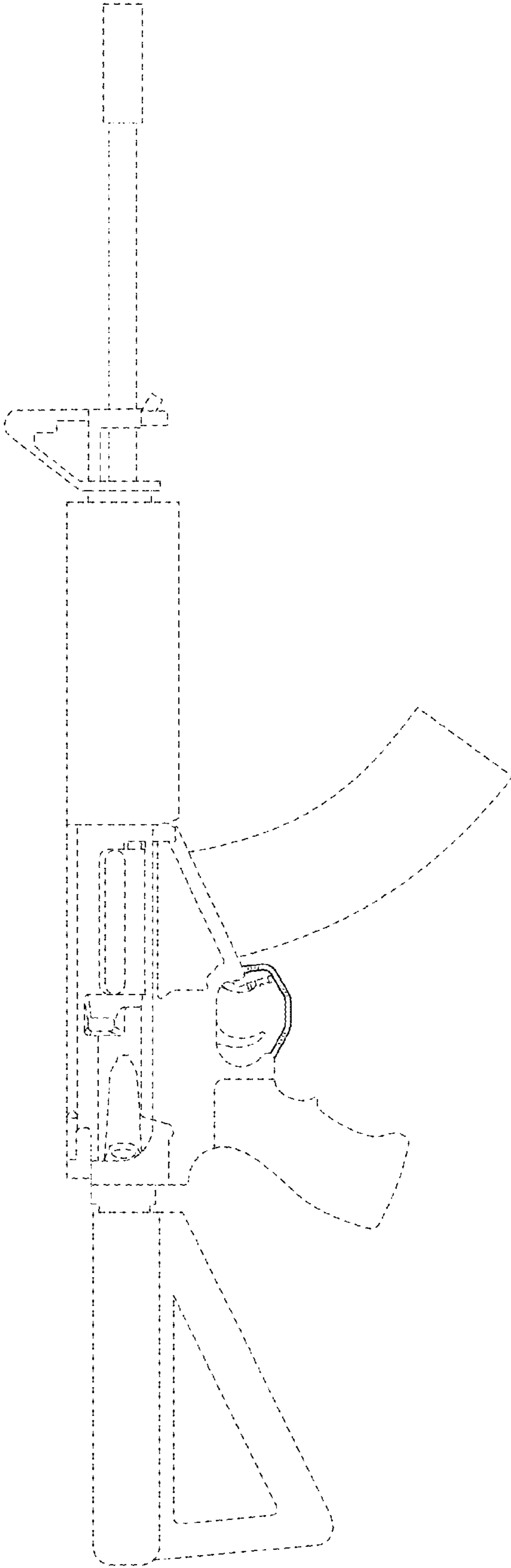


FIG. 1

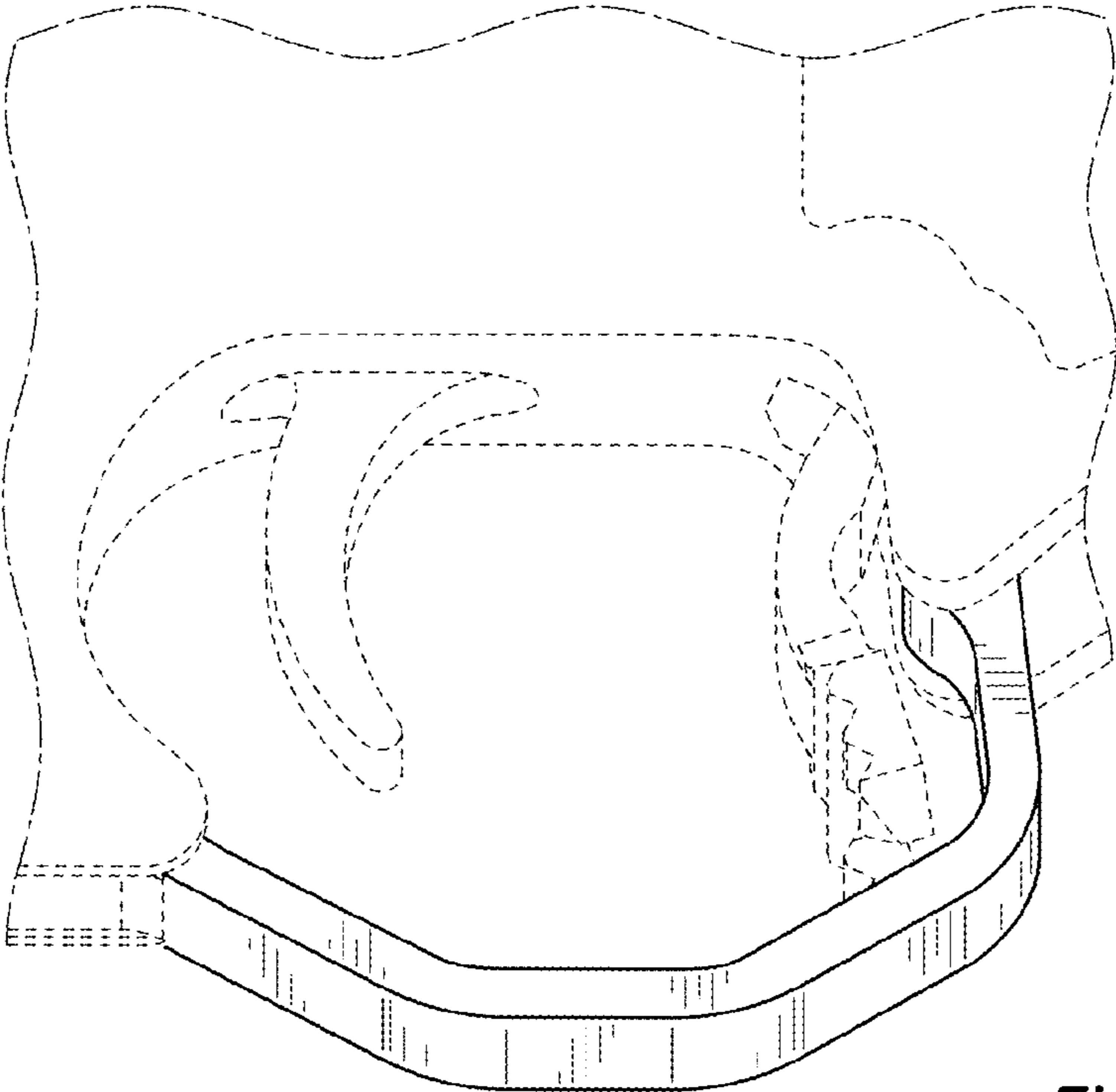


FIG. 2

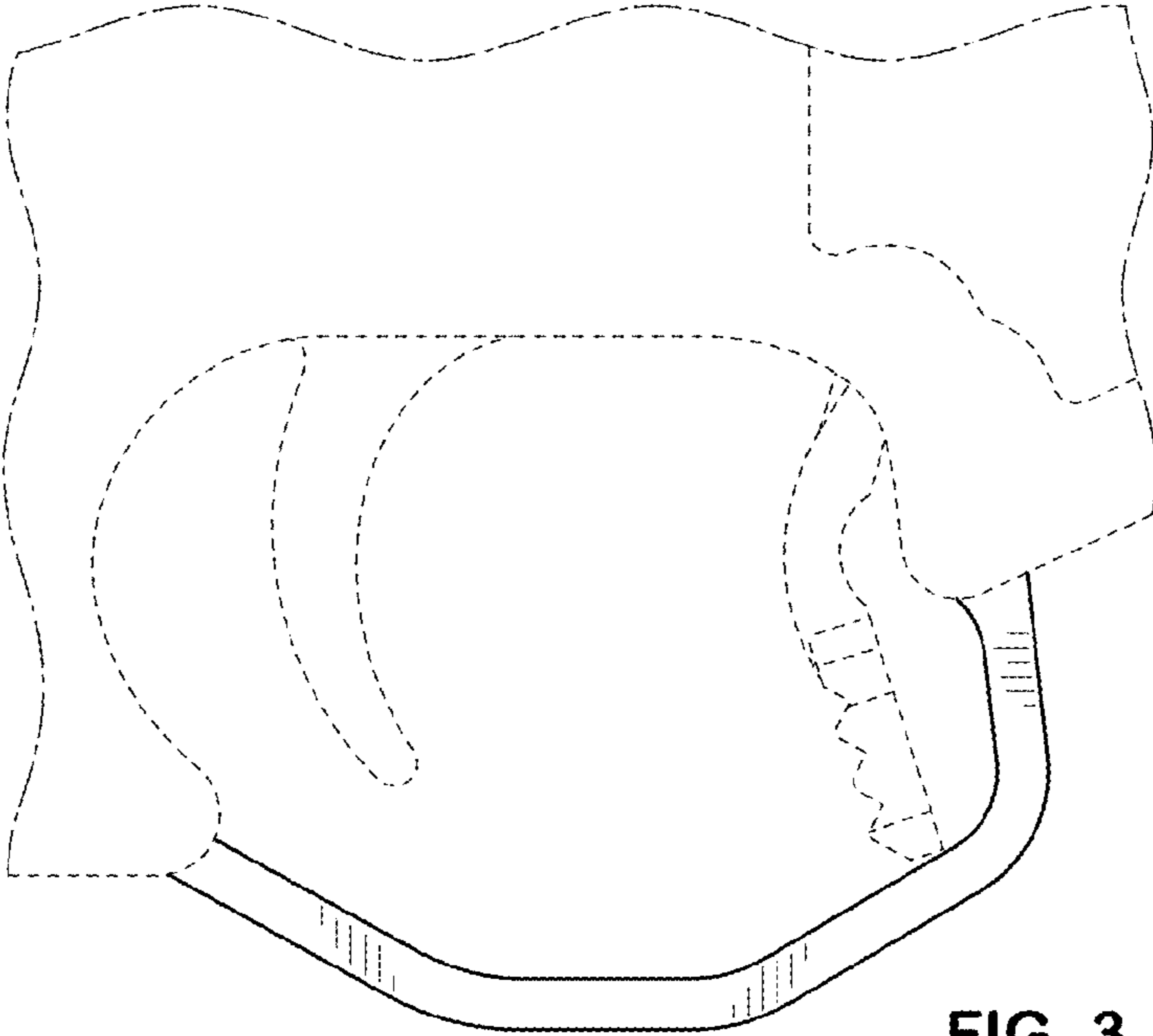


FIG. 3

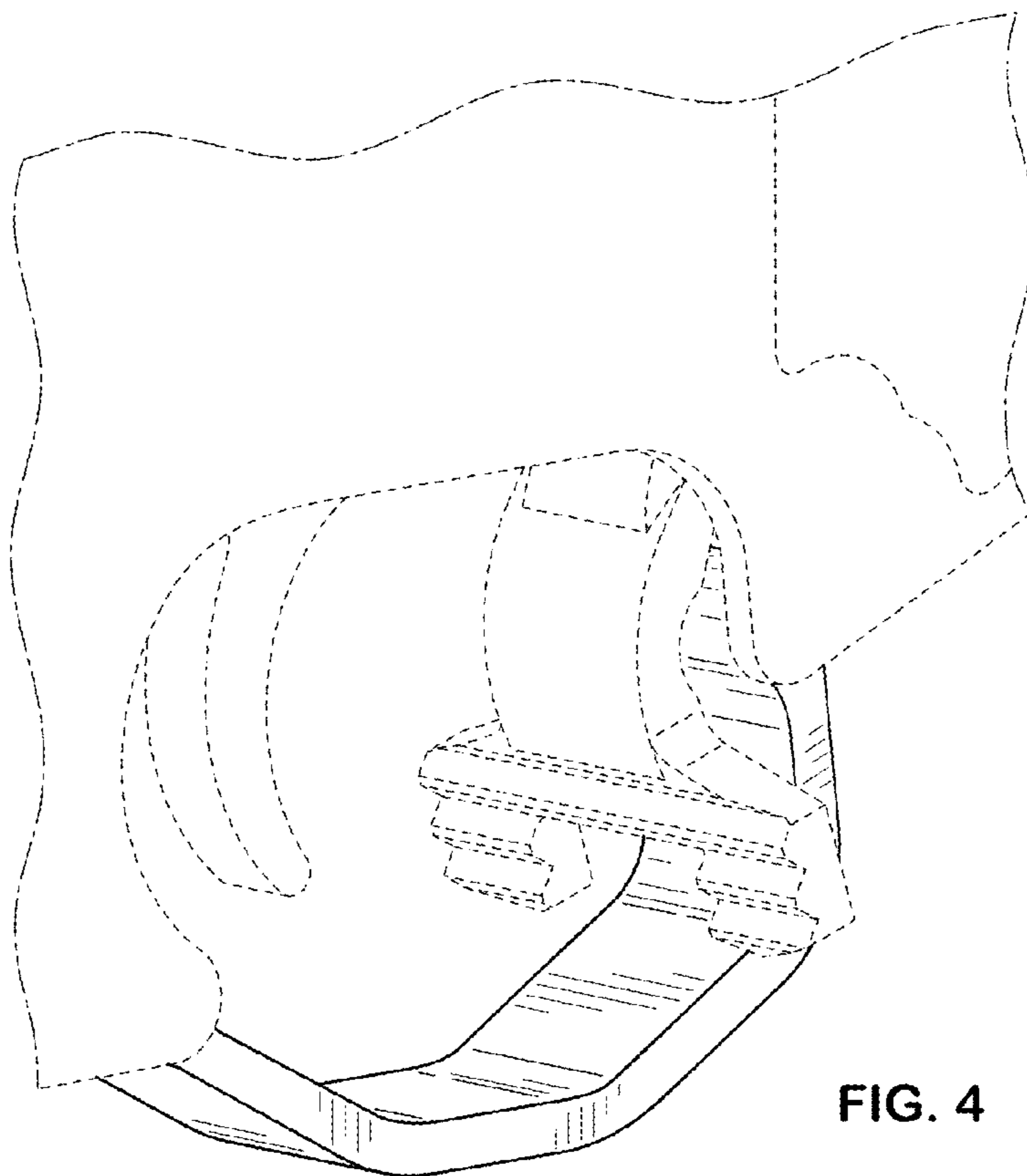


FIG. 4

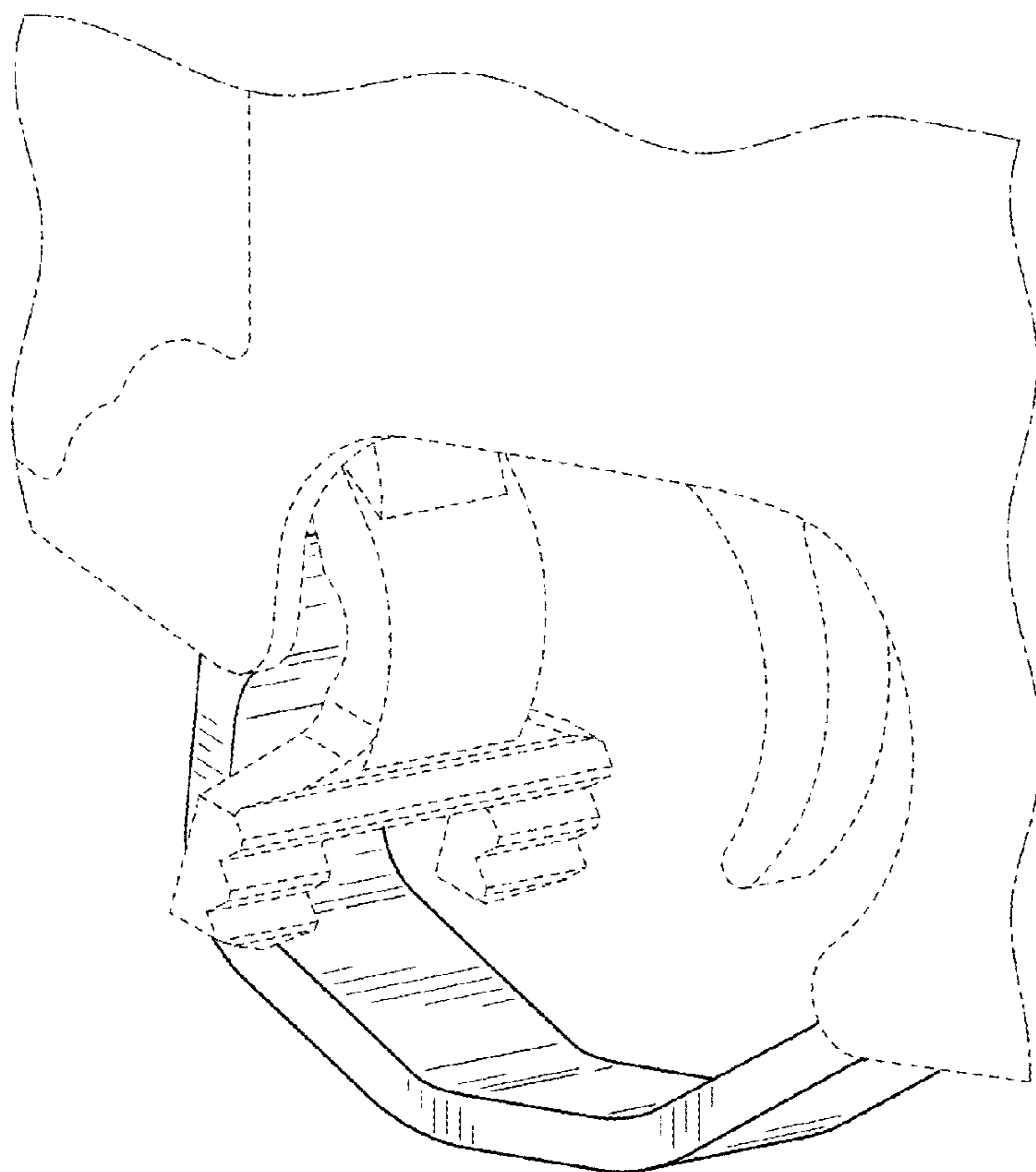


FIG. 5