



US00D702800S

(12) **United States Design Patent**
Speroni

(10) **Patent No.:** **US D702,800 S**
(45) **Date of Patent:** **** Apr. 15, 2014**

- (54) **TACTICAL ACCESSORY MOUNT**
- (71) Applicant: **Walter Speroni**, Villa Carlos Paz (AR)
- (72) Inventor: **Walter Speroni**, Villa Carlos Paz (AR)
- (**) Term: **14 Years**
- (21) Appl. No.: **29/436,396**
- (22) Filed: **Nov. 5, 2012**
- (51) **LOC (10) Cl.** **22-01**
- (52) **U.S. Cl.**
USPC **D22/108**
- (58) **Field of Classification Search**
USPC D22/108–109; 42/111–128; 89/1.61,
89/200–204; 33/297
See application file for complete search history.

(56) **References Cited**

U.S. PATENT DOCUMENTS

4,940,324	A *	7/1990	Nichols	356/247
D360,250	S *	7/1995	Coste	D22/110
D652,471	S *	1/2012	Storch	D22/110
8,484,879	B2 *	7/2013	Riley et al.	42/115
8,484,882	B2 *	7/2013	Haley et al.	42/132
2010/0162611	A1 *	7/2010	Samson et al.	42/125
2013/0180152	A1 *	7/2013	Speroni	42/99

* cited by examiner

Primary Examiner — Michael A Pratt

(74) *Attorney, Agent, or Firm* — Law Office of Arthur M. Antonelli, PLLC

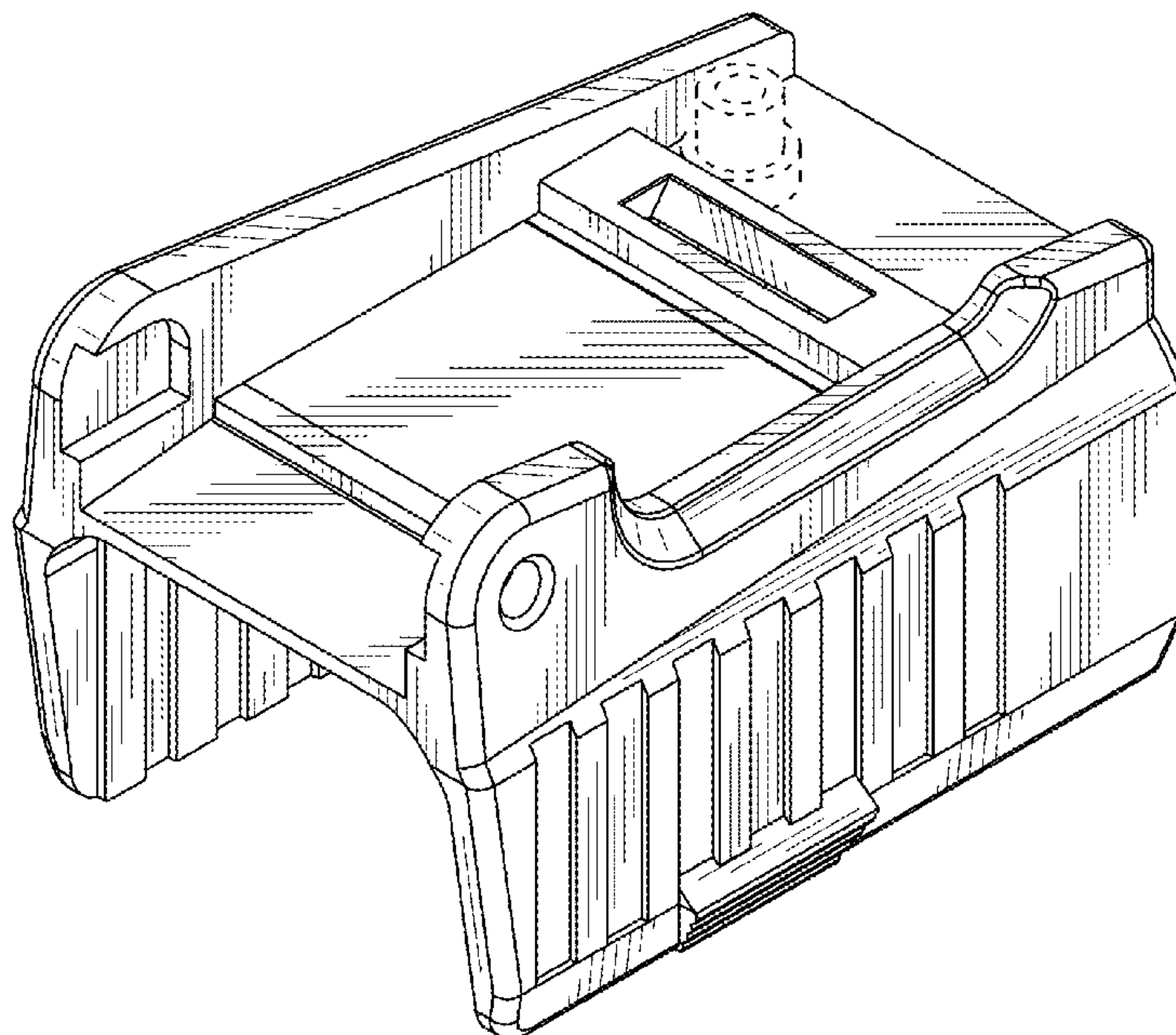
(57) **CLAIM**

The ornamental design for a tactical accessory mount, as shown and described.

DESCRIPTION

FIG. 1 is a top, front, perspective view of a tactical accessory mount in accordance with my new design;
 FIG. 2 is a top, rear, perspective view of the tactical accessory mount of FIG. 1;
 FIG. 3 is a top view of the tactical accessory mount of FIG. 1;
 FIG. 4 is a front view of the tactical accessory mount of FIG. 1;
 FIG. 5 is rear view of the tactical accessory mount of FIG. 1;
 FIG. 6 is a bottom view of the tactical accessory mount of FIG. 1;
 FIG. 7 is a left view of the tactical accessory mount of FIG. 1;
 FIG. 8 is a right view of the tactical accessory mount of FIG. 1;
 FIG. 9 is a bottom, front, perspective view of the tactical accessory mount of FIG. 1;
 FIG. 10 is a top, front, perspective view of the tactical accessory mount of FIG. 1, showing a tactical accessory in the mount; and,
 FIG. 11 is a top, rear, perspective view of the tactical accessory mount of FIG. 1, showing a tactical accessory in the mount.
 All portions shown in broken lines are environmental and illustrative only and form no part of the claimed design.

1 Claim, 6 Drawing Sheets



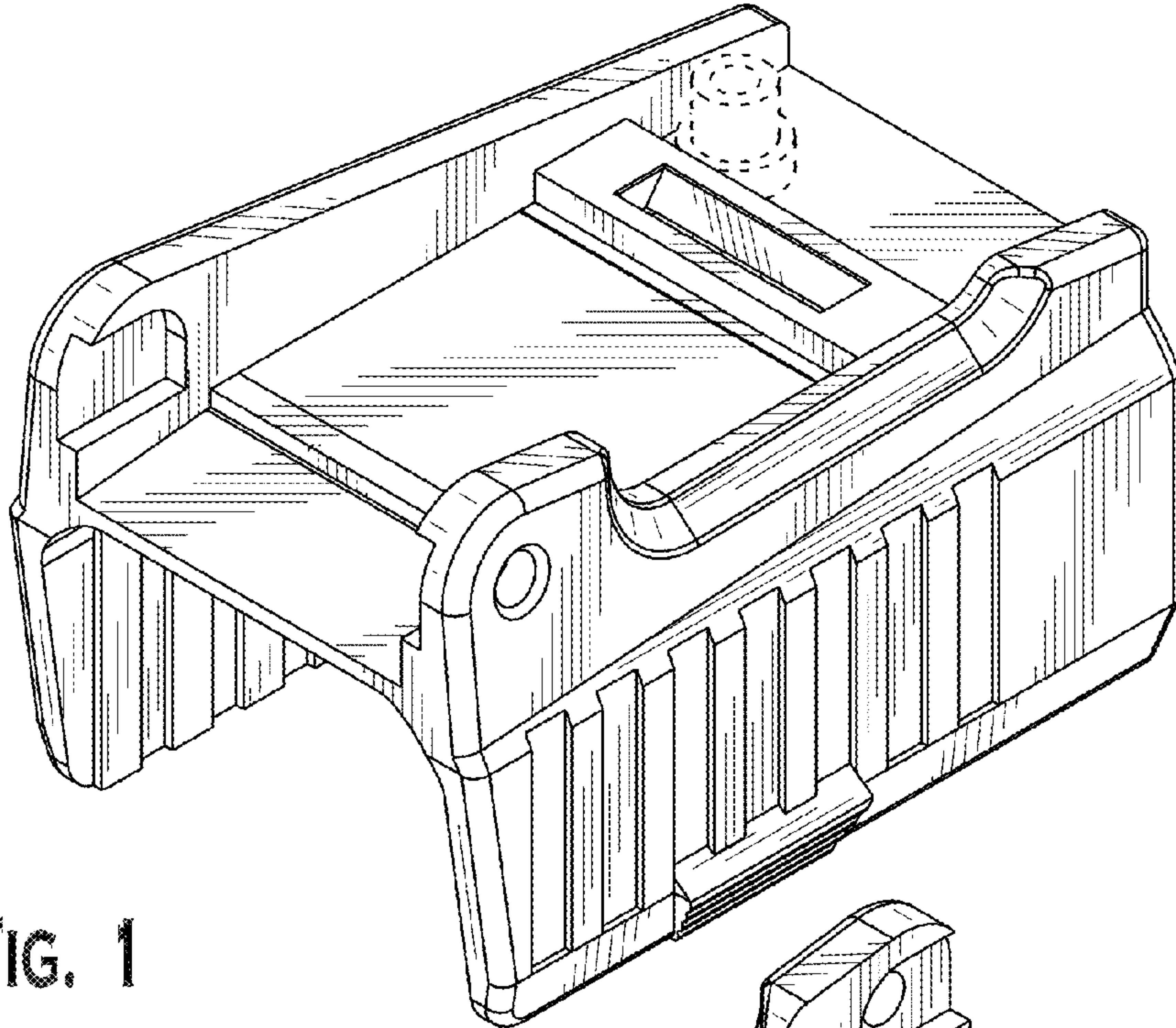


FIG. 1

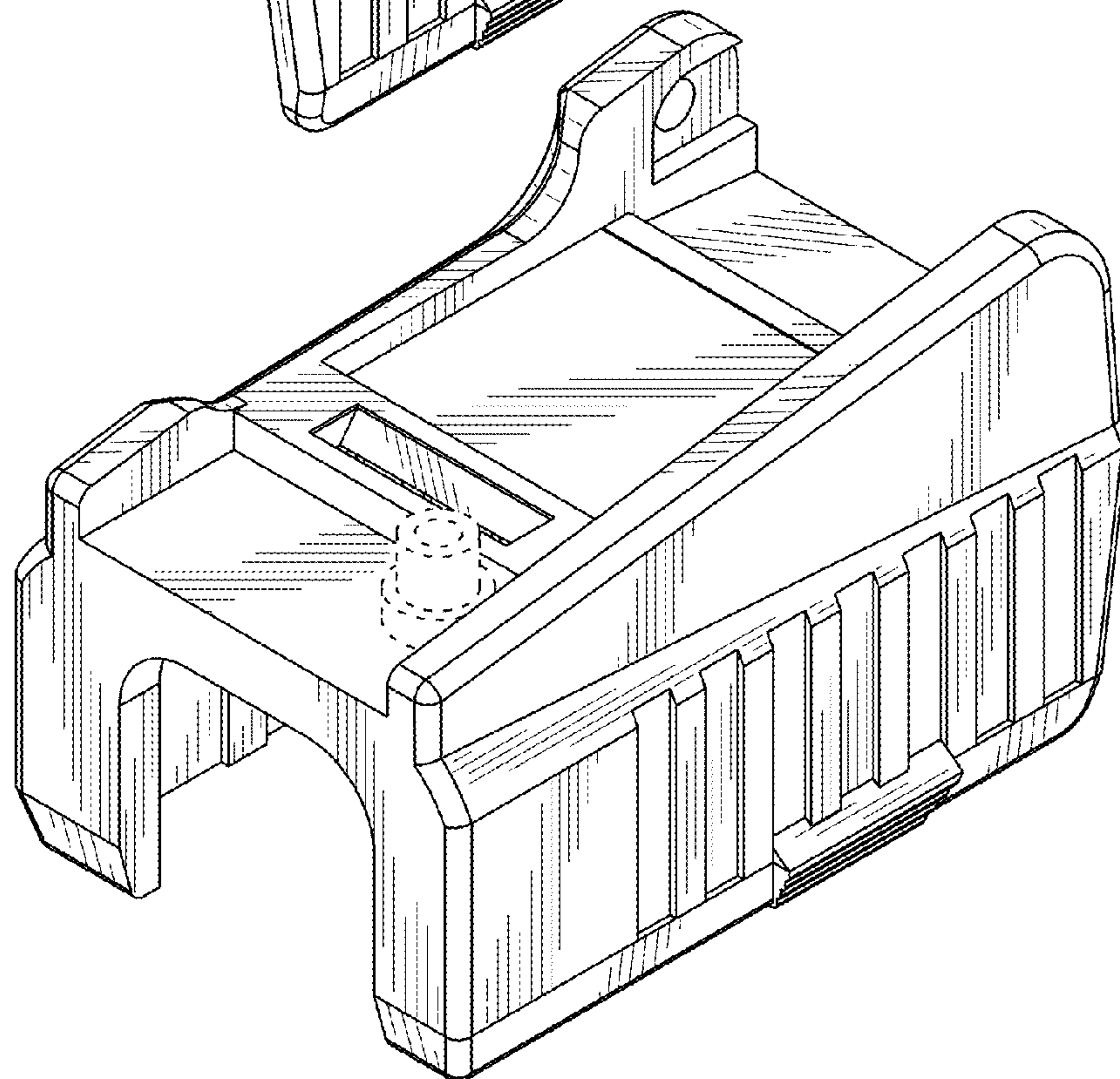


FIG. 2

FIG. 3

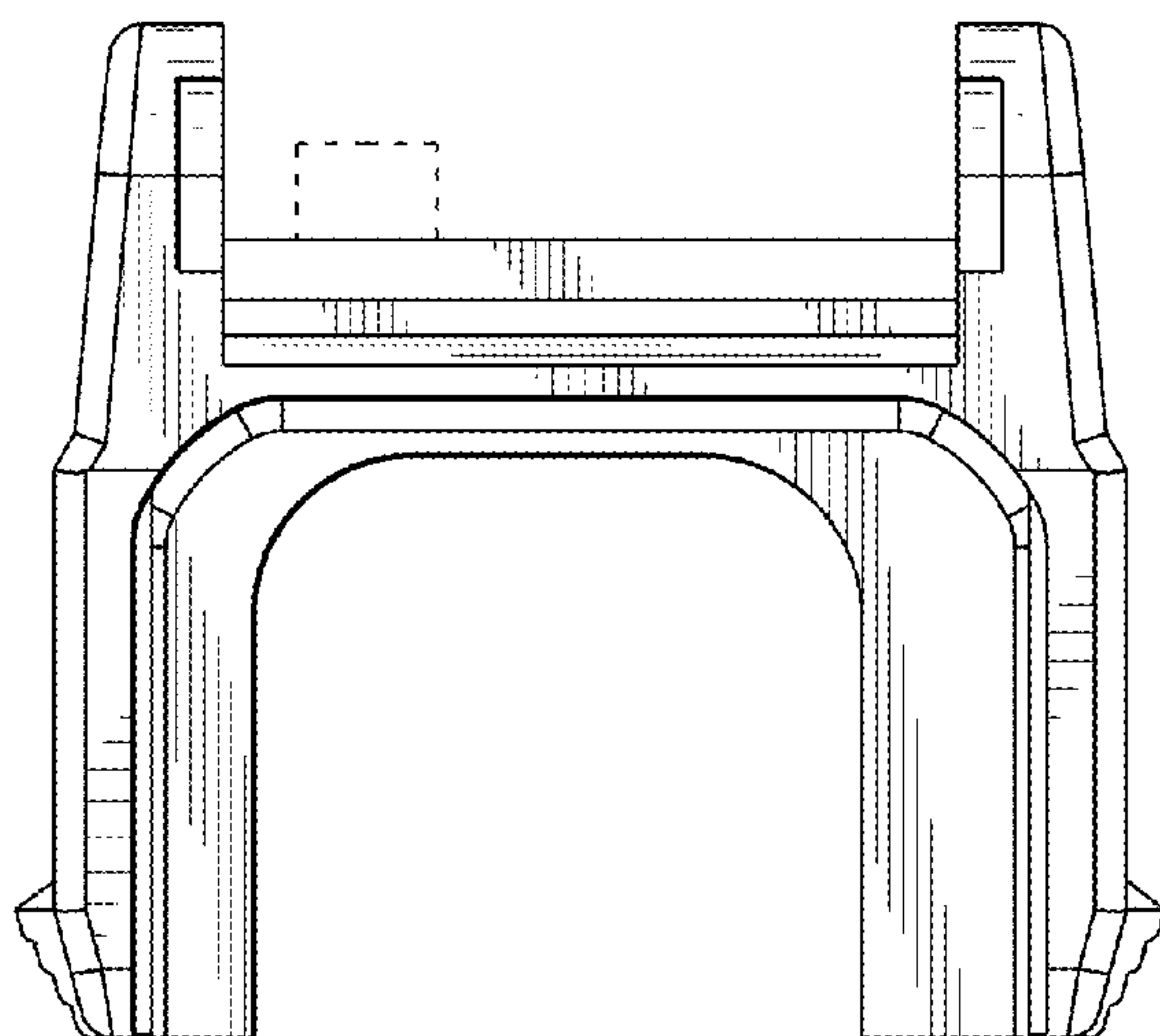
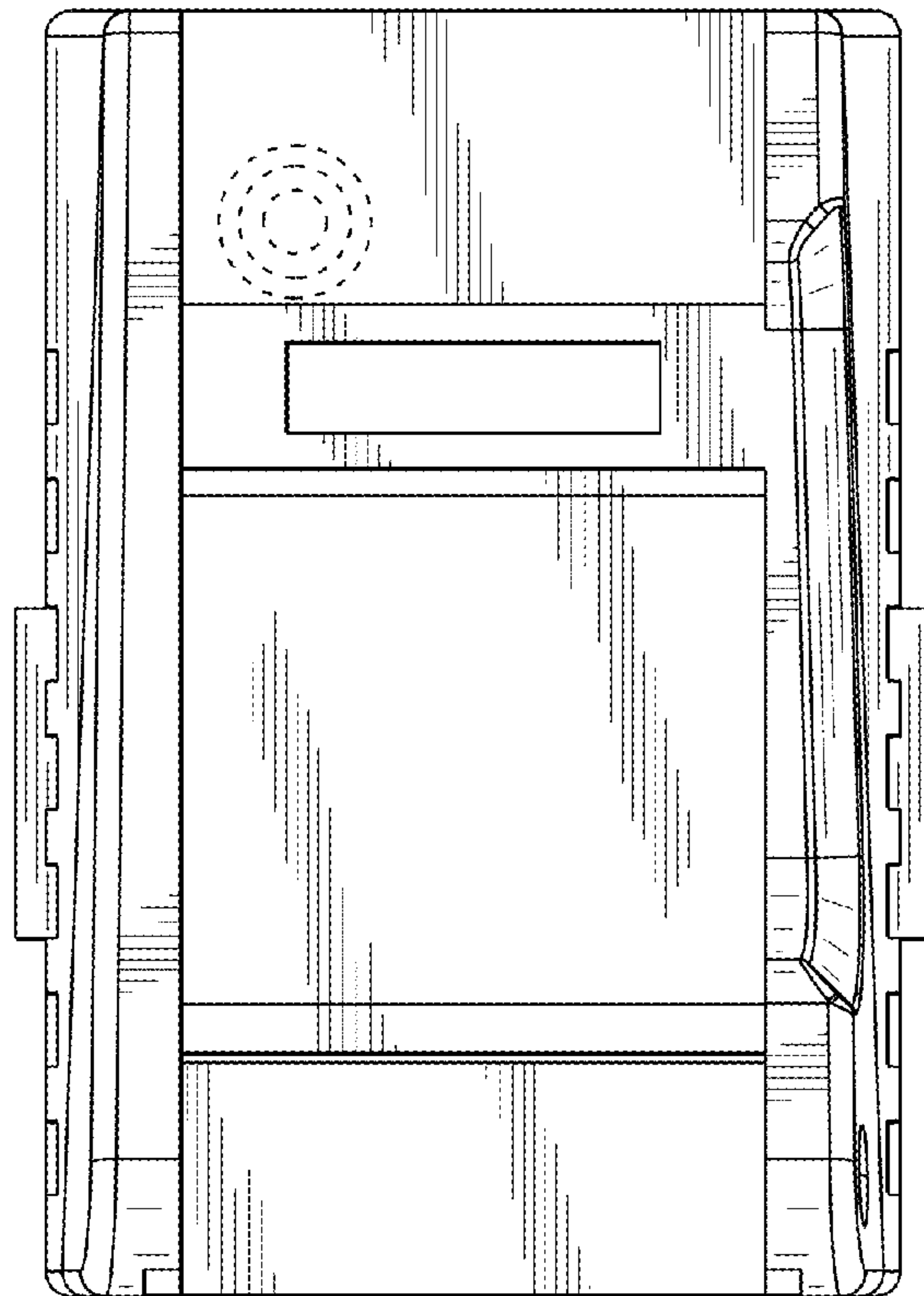


FIG. 4

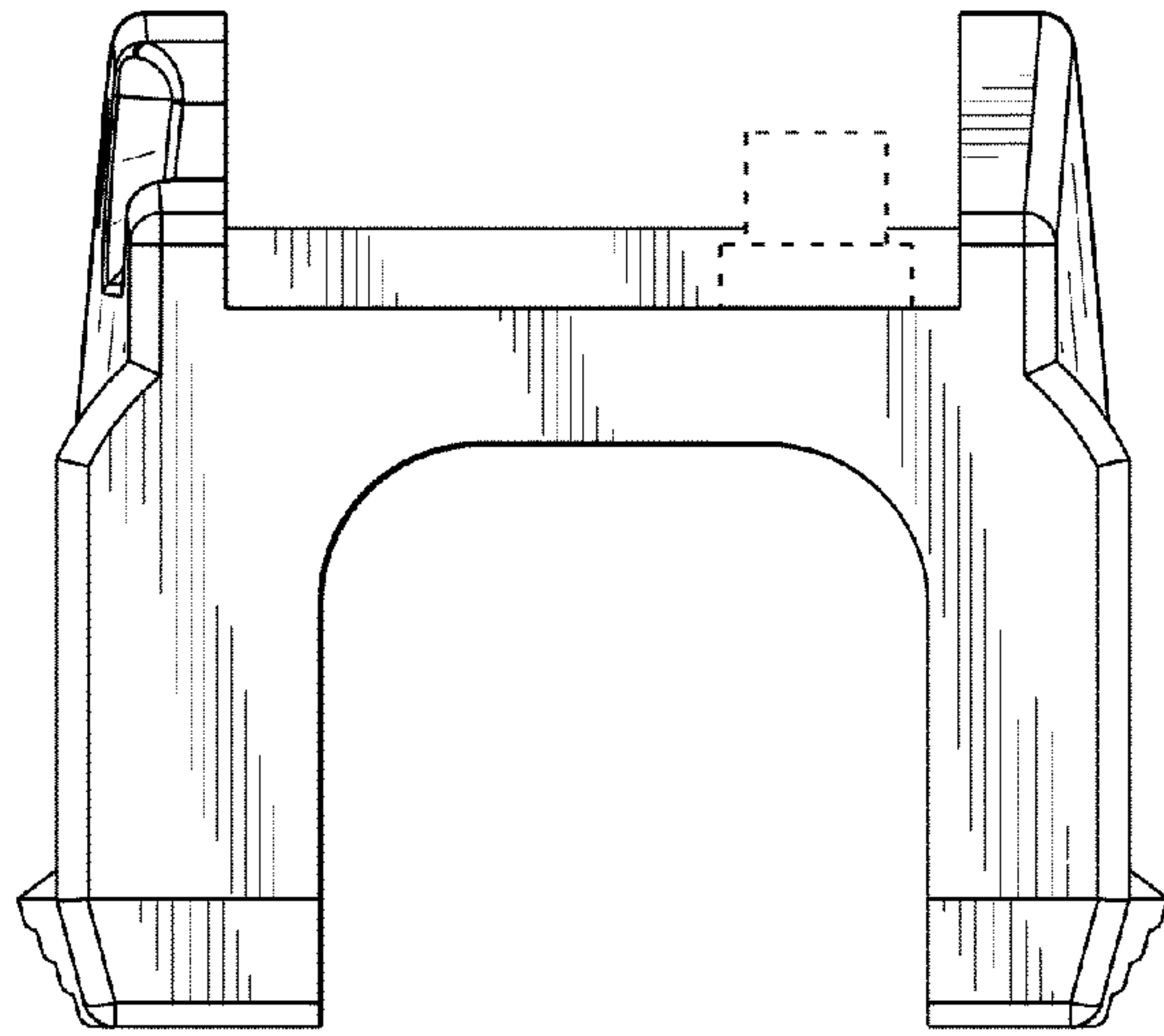


FIG. 5

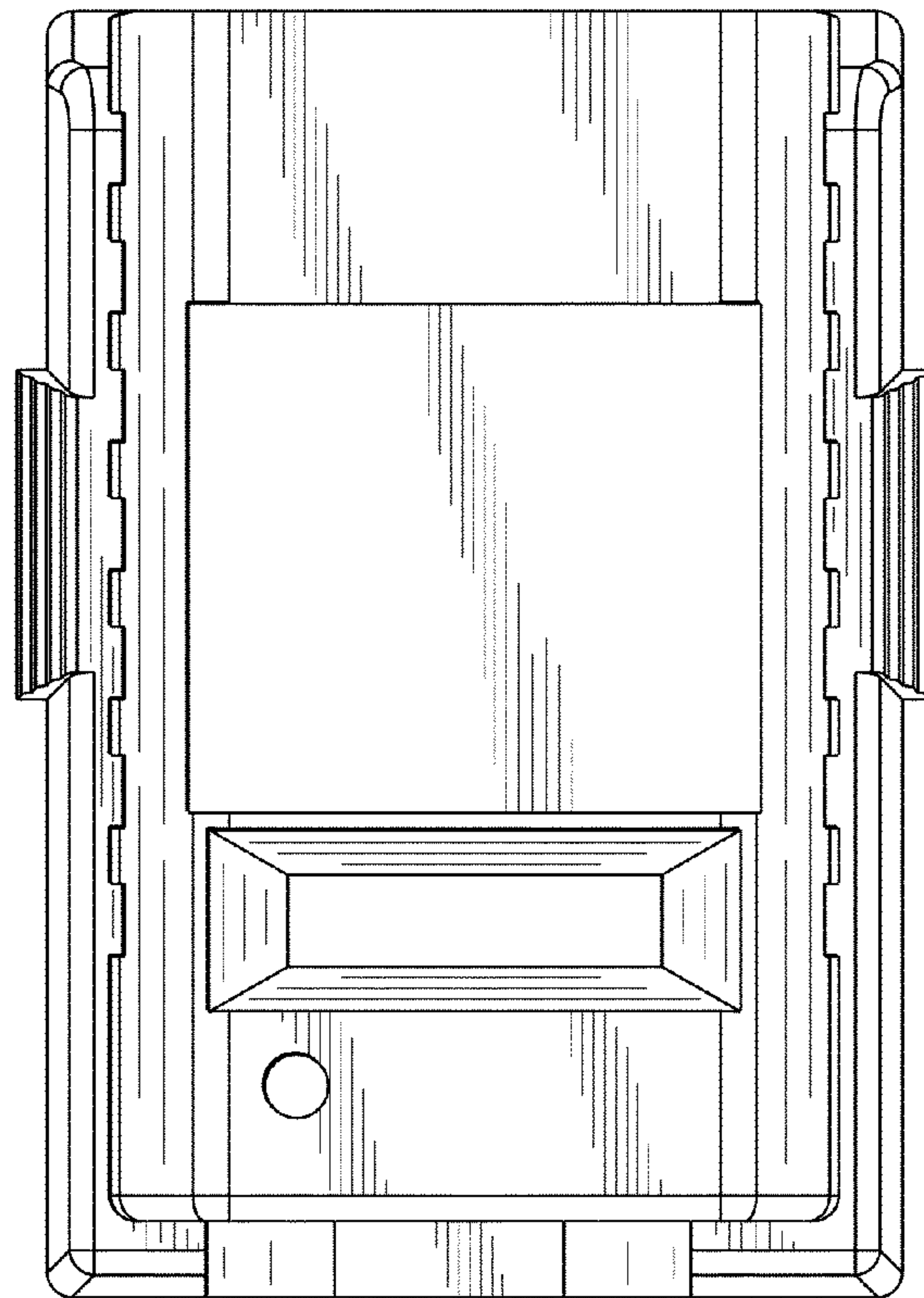


FIG. 6

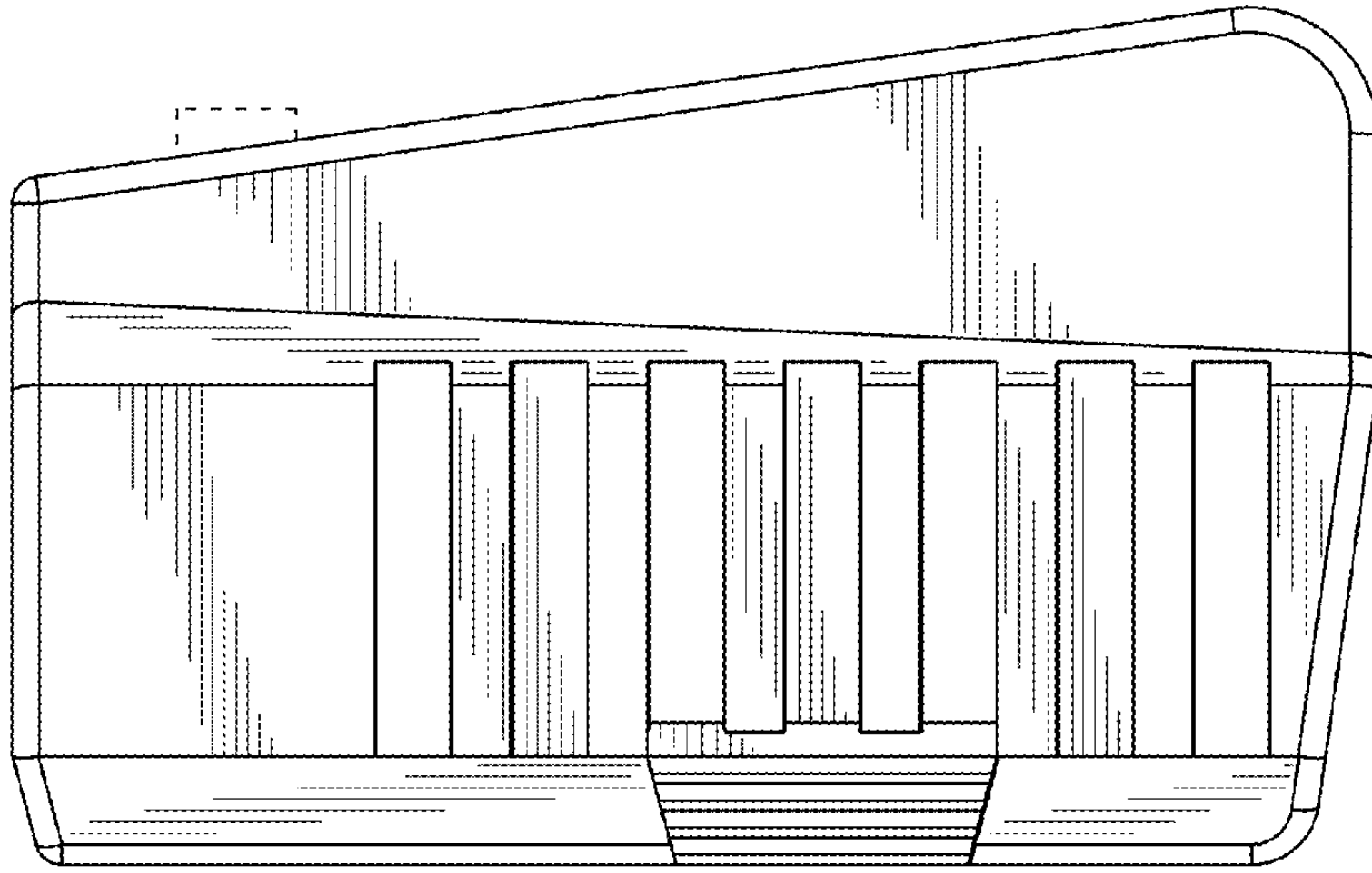


FIG. 7

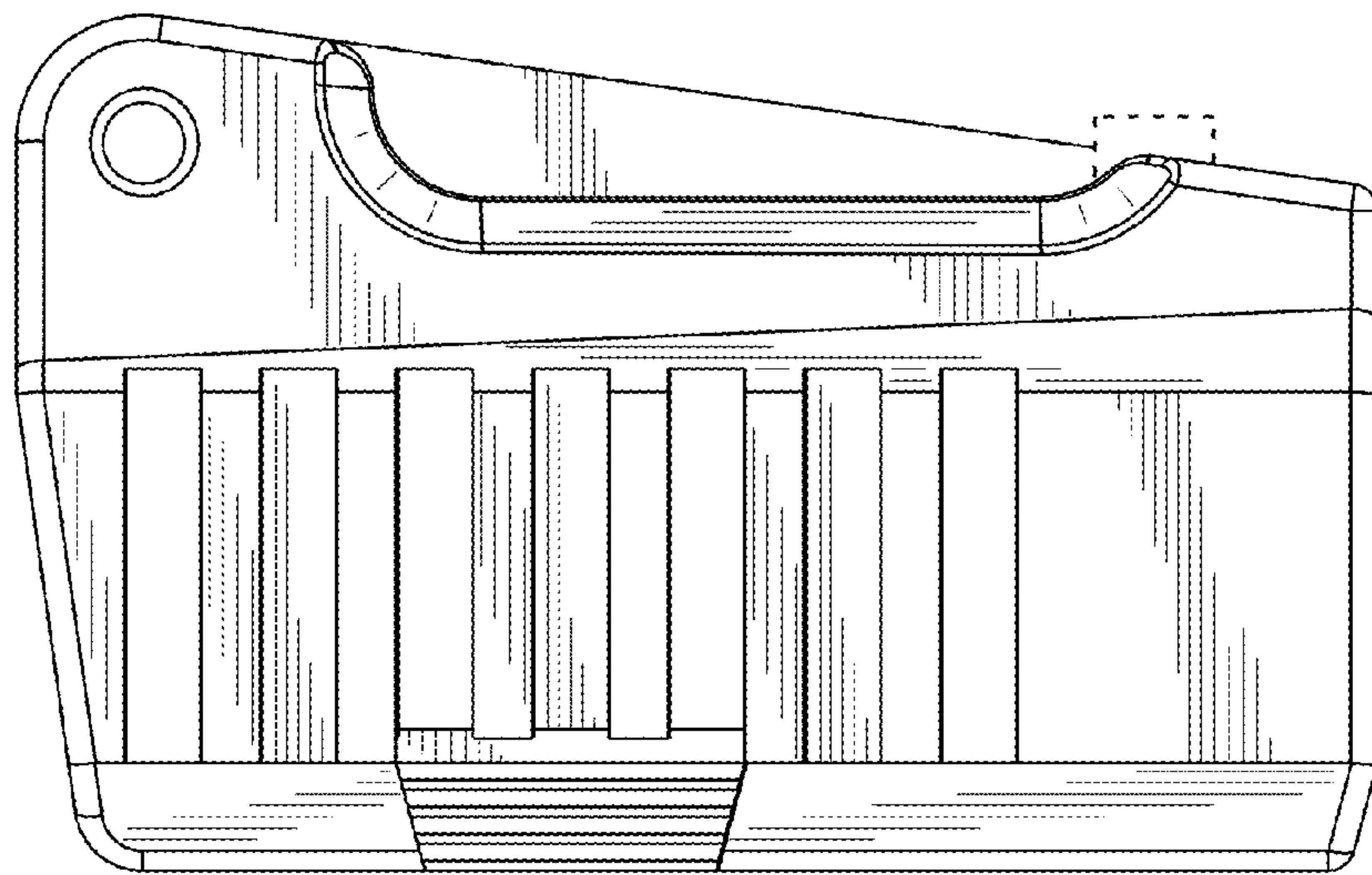


FIG. 8

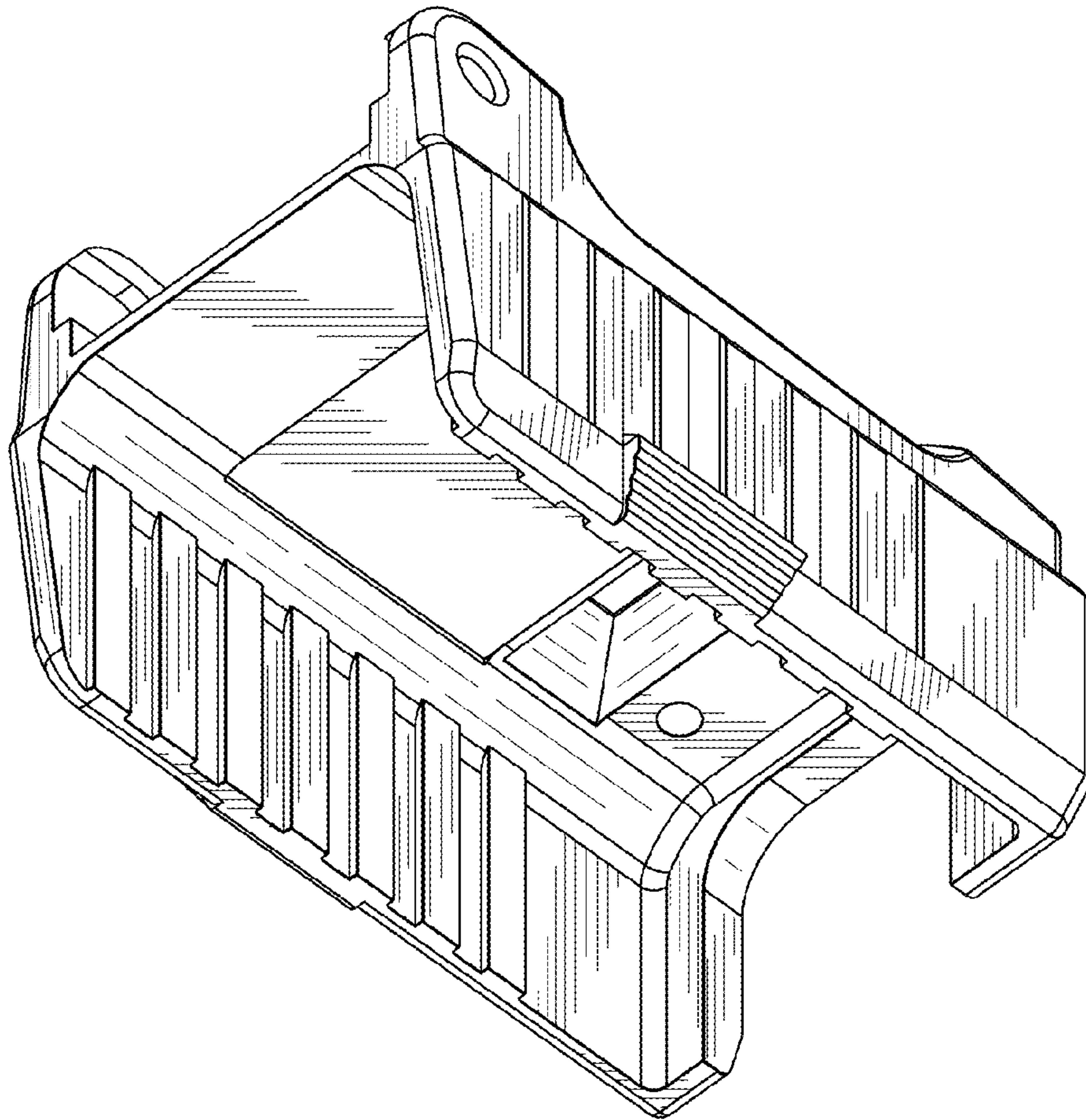


FIG. 9

