



US00D702799S

(12) **United States Design Patent**
Coviello

(10) **Patent No.:** **US D702,799 S**
(45) **Date of Patent:** **** Apr. 15, 2014**

- (54) **AK-47 COMBAT SLING MOUNT**
- (71) Applicant: **Randy Coviello**, Lutz, FL (US)
- (72) Inventor: **Randy Coviello**, Lutz, FL (US)
- (**) Term: **14 Years**
- (21) Appl. No.: **29/435,629**
- (22) Filed: **Oct. 25, 2012**
- (51) **LOC (10) Cl.** **22-01**
- (52) **U.S. Cl.**
USPC **D22/108**
- (58) **Field of Classification Search**
USPC D22/108; D8/356, 349, 353, 367, 371,
D8/373; 42/85, 94; D3/214–215, 221, 262,
D3/327–328; 224/150; D29/101.1, 101.2
See application file for complete search history.

- (56) **References Cited**
U.S. PATENT DOCUMENTS
6,012,246 A * 1/2000 Robinson et al. 42/71.01
7,082,709 B2 * 8/2006 Lindsey 42/85
D538,630 S * 3/2007 Sergi D8/354
D568,957 S * 5/2008 Esch D22/108
D578,521 S * 10/2008 Sergi et al. D14/238
D670,996 S * 11/2012 Rogers D8/363

- D683,807 S * 6/2013 Elkaim D22/108
- D688,765 S * 8/2013 Kelly D22/108
- 2005/0034347 A1 * 2/2005 Verdugo 42/85
- 2011/0186603 A1 * 8/2011 Alford 224/150
- 2012/0011758 A1 * 1/2012 Burt 42/85
- 2013/0276343 A1 * 10/2013 Peters 42/90

* cited by examiner

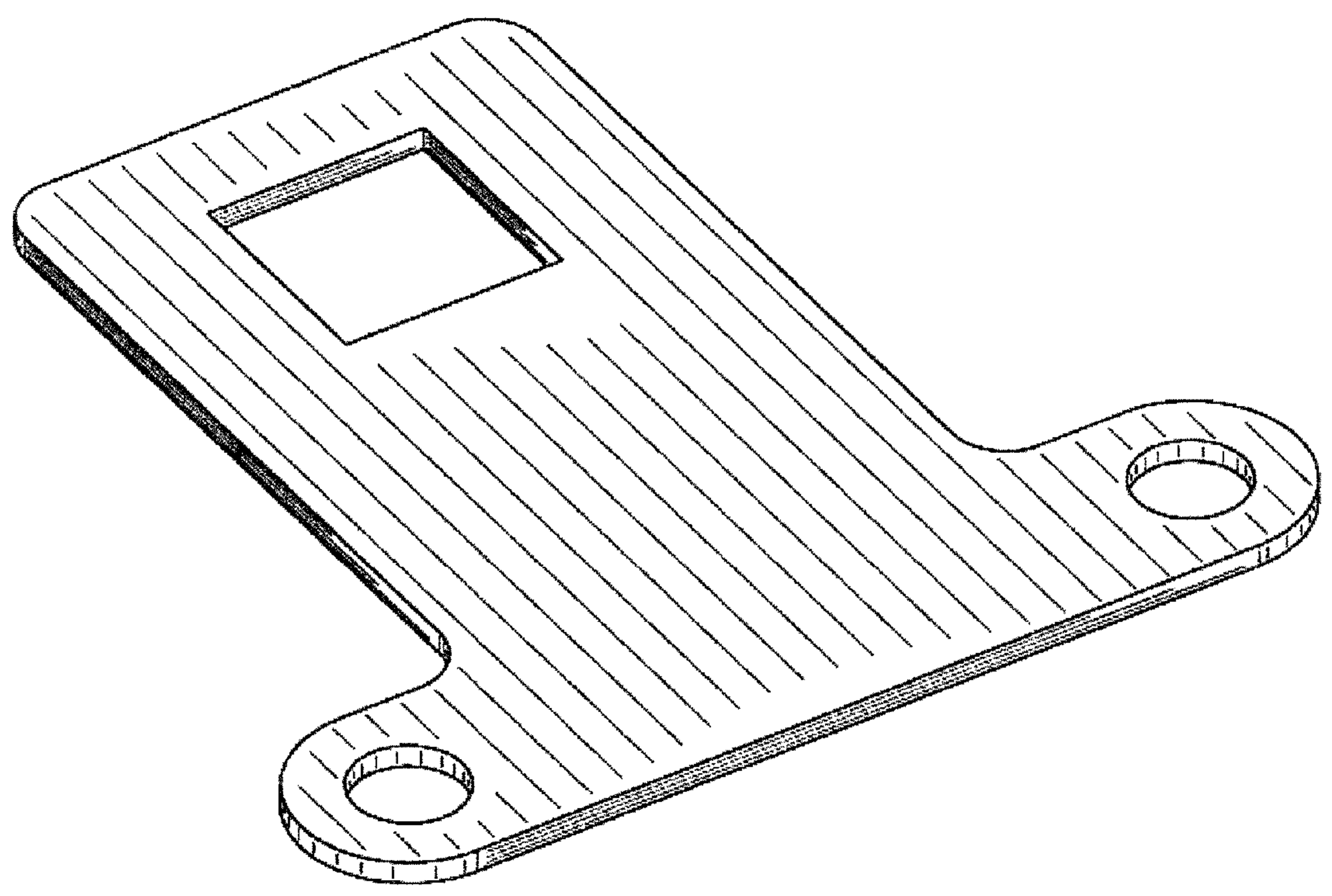
Primary Examiner — Michael A Pratt
(74) *Attorney, Agent, or Firm* — Dorothy S. Morse

(57) **CLAIM**
The ornamental design for an AK-47 combat sling mount, as shown and described.

DESCRIPTION

FIG. 1 is a perspective view of an AK-47 combat sling mount according to my new design;
FIG. 2 is a top view thereof, with the bottom view being a mirror image of that shown;
FIG. 3 is a front view thereof;
FIG. 4 is back view thereof;
FIG. 5 is a side view thereof thereof, with the other side being a mirror image of that shown; and,
FIG. 6 is a perspective view thereof, with broken lines forming no part of the AK-47 combat sling mount.

1 Claim, 6 Drawing Sheets



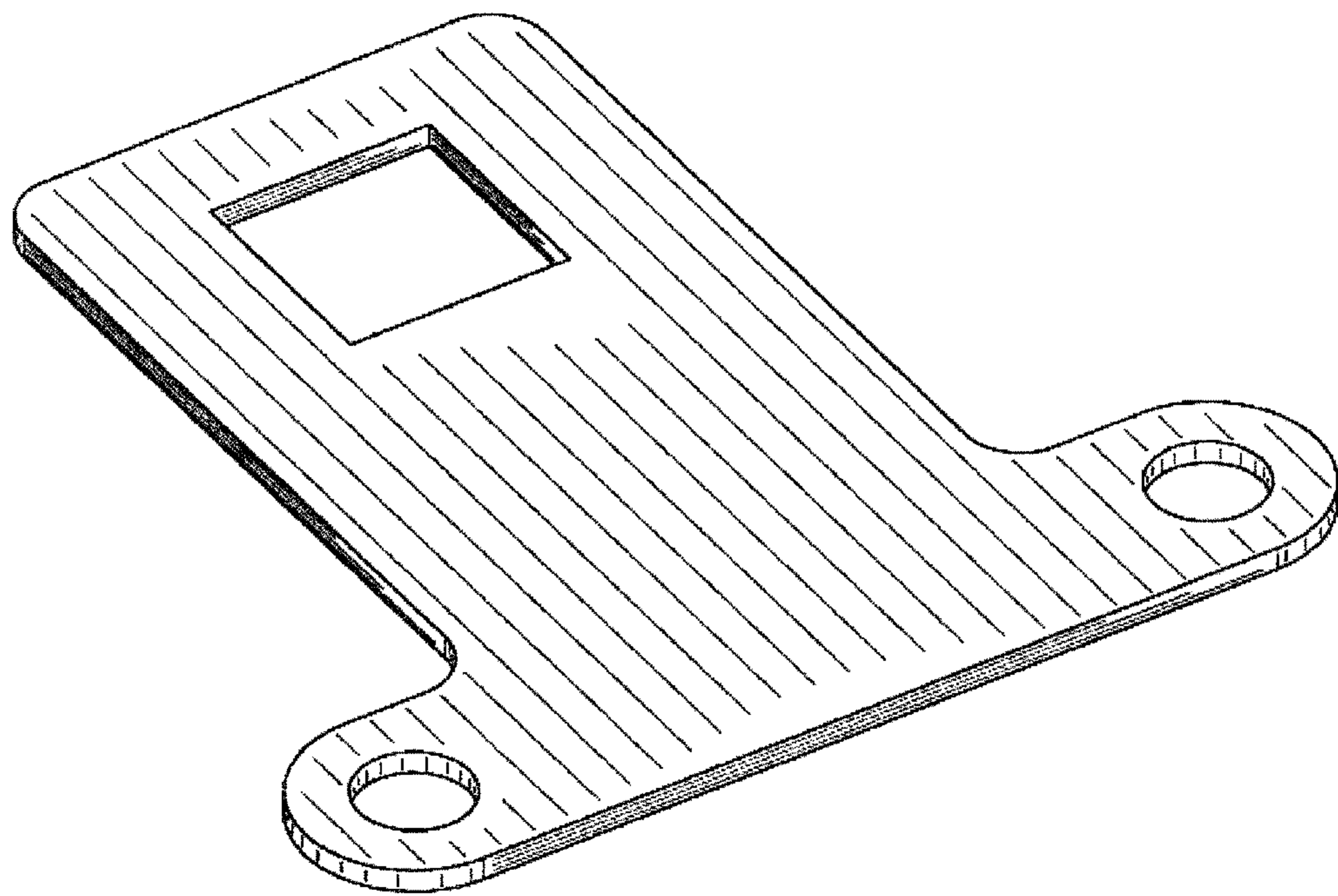


FIG. 1

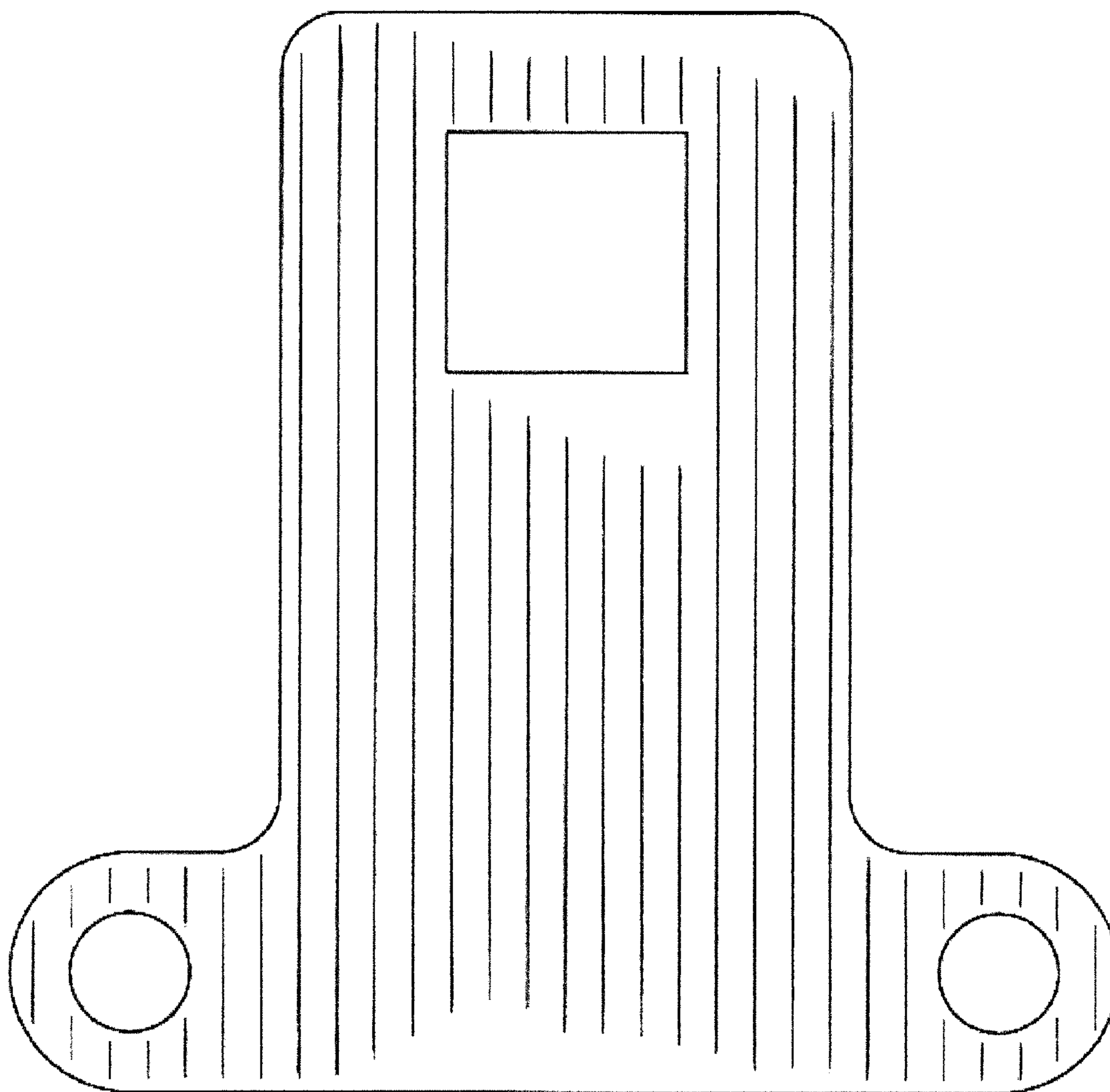


FIG. 2

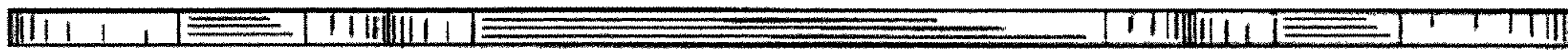


FIG. 3

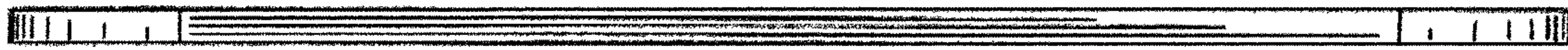


FIG. 4



FIG. 5

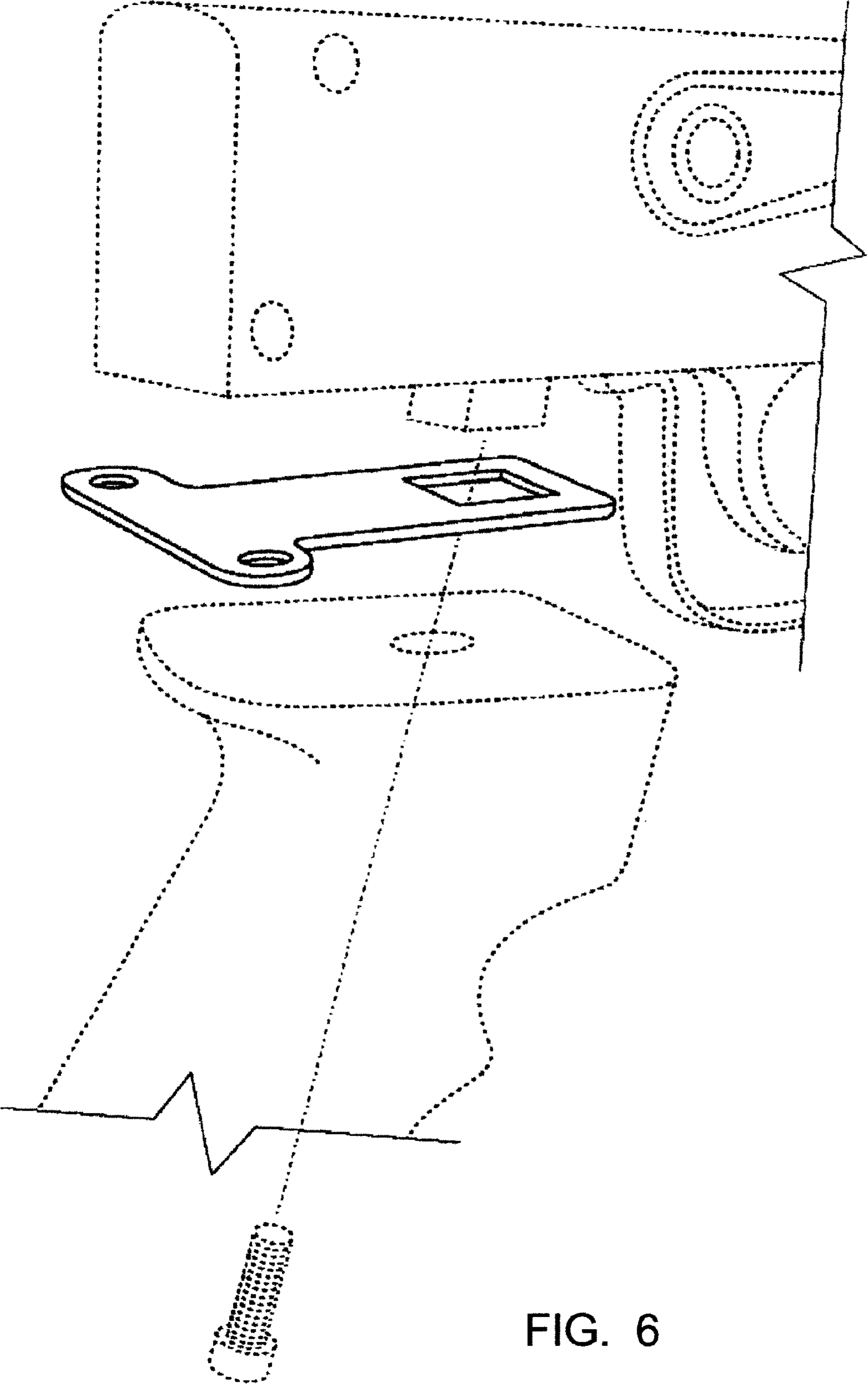


FIG. 6