



US00D702798S

(12) **United States Design Patent**
Booth

(10) **Patent No.:** **US D702,798 S**
(45) **Date of Patent:** **** Apr. 15, 2014**

(54) **WEAPONS-MOUNTED TACTICAL LIGHT
HOLSTER**

D542,525 S * 5/2007 Schmidt D3/220
7,644,845 B2 * 1/2010 Lowe 224/243
8,132,355 B1 * 3/2012 Kincaid et al. 42/124

(71) Applicant: **Anthony Booth**, Spring Hill, FL (US)

* cited by examiner

(72) Inventor: **Anthony Booth**, Spring Hill, FL (US)

Primary Examiner — Michael A Pratt

(**) Term: **14 Years**

(74) *Attorney, Agent, or Firm* — Larson & Larson, P.A.;
Frank Liebenow; Justin P. Miller

(21) Appl. No.: **29/434,005**

(57) **CLAIM**

I claim the ornamental design for a weapons-mounted tactical light holster, as shown and described.

(22) Filed: **Oct. 9, 2012**

DESCRIPTION

(51) **LOC (10) Cl.** **22-01**

(52) **U.S. Cl.**

USPC **D22/108**; D3/222

(58) **Field of Classification Search**

USPC D22/108; D3/222–223; 224/191–193,
224/238, 901.4, 666, 676, 668

See application file for complete search history.

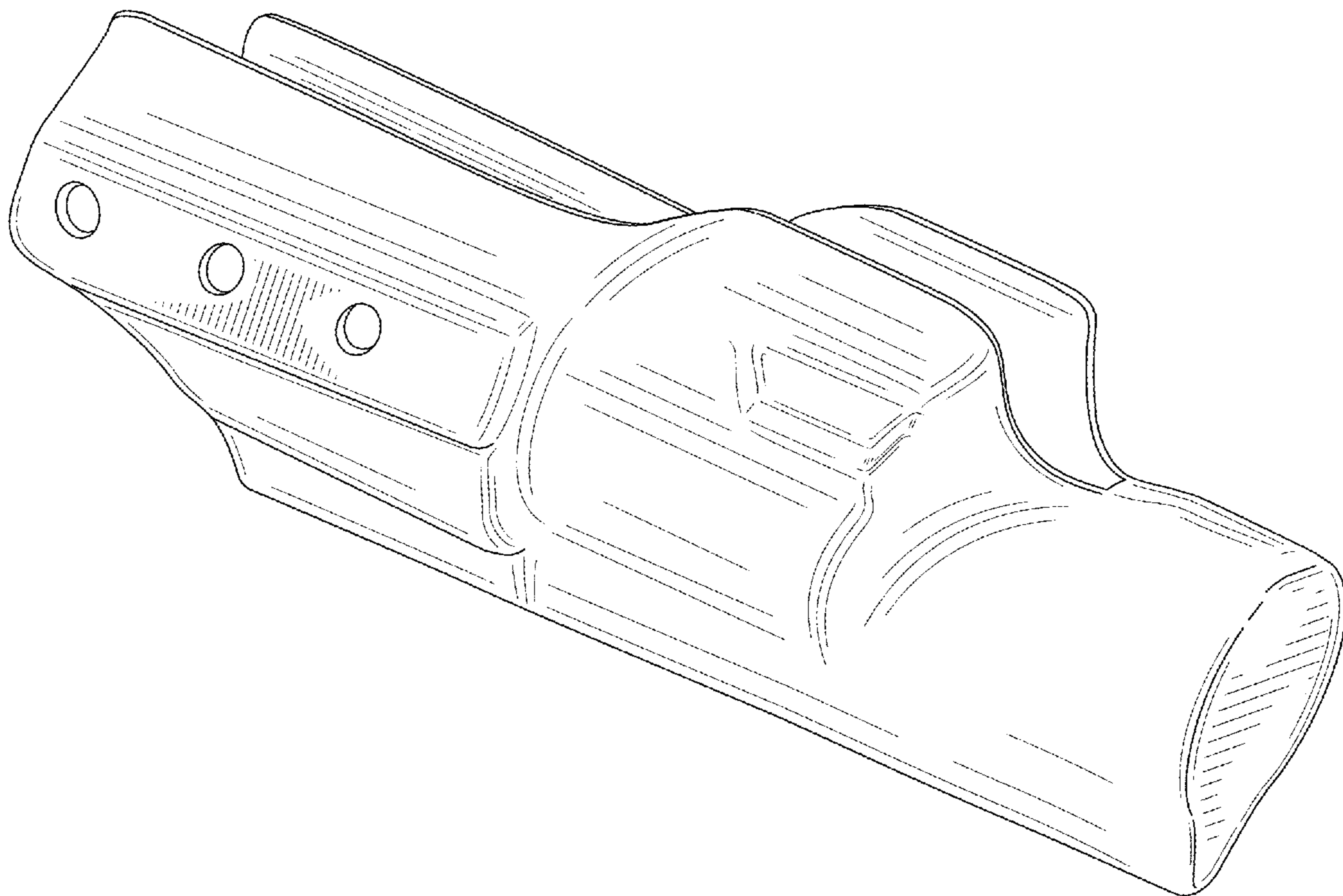
FIG. 1 is a perspective view of the weapons-mounted tactical light holster showing my new design; FIG. 2 is a left side view thereof; FIG. 3 is a right side view thereof; FIG. 4 is a bottom plan view thereof; FIG. 5 is a top plan view thereof; FIG. 6 is a front elevation view thereof; FIG. 7 is a back elevation view thereof; and, FIG. 8 is a side view thereof, showing an exemplary gun. The broken lines depicting an exemplary gun in FIG. 8 are for illustrative purposes only and form no part of the claimed design.

(56) **References Cited**

U.S. PATENT DOCUMENTS

5,284,281 A * 2/1994 Nichols 224/244
5,622,295 A * 4/1997 Hellweg et al. 224/193
6,886,725 B2 * 5/2005 Lowe et al. 224/243

1 Claim, 7 Drawing Sheets



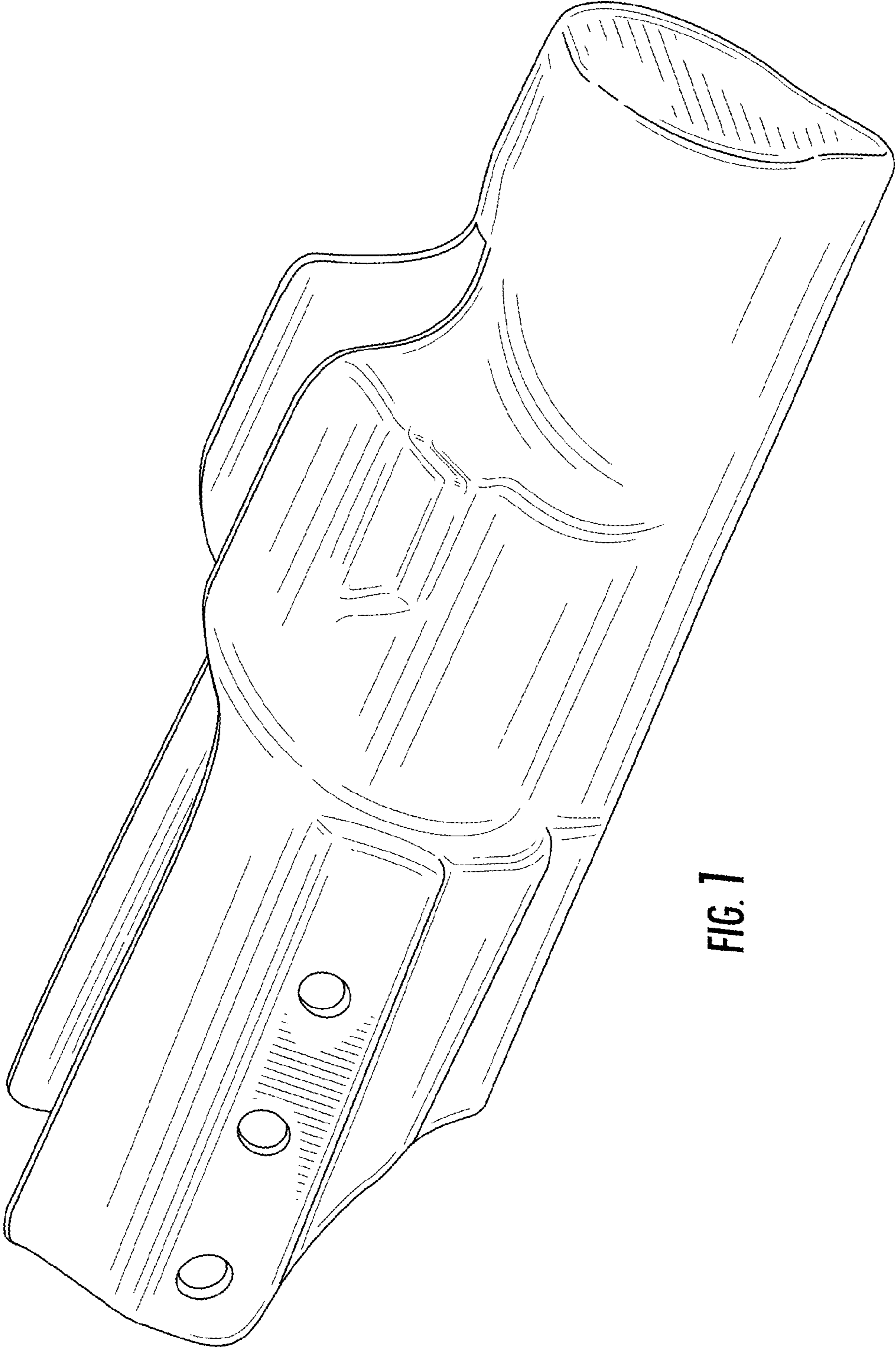


FIG. 1

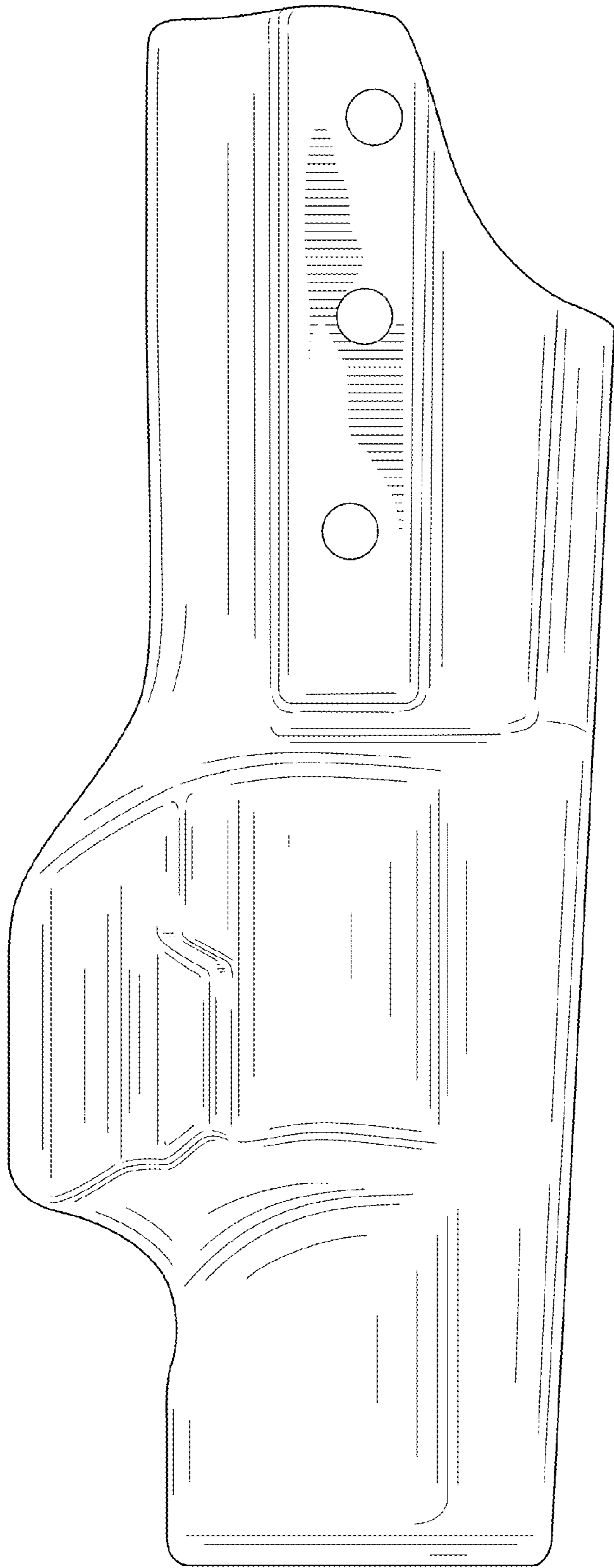


FIG. 2

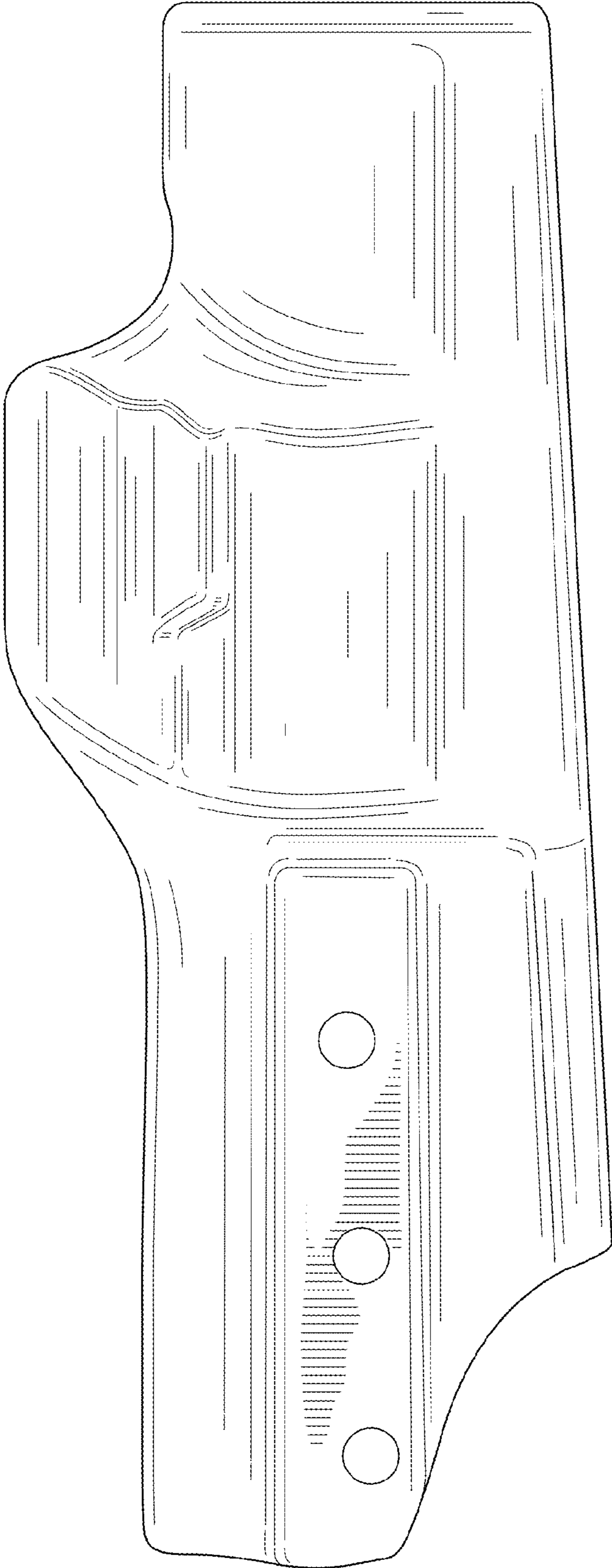


FIG. 3

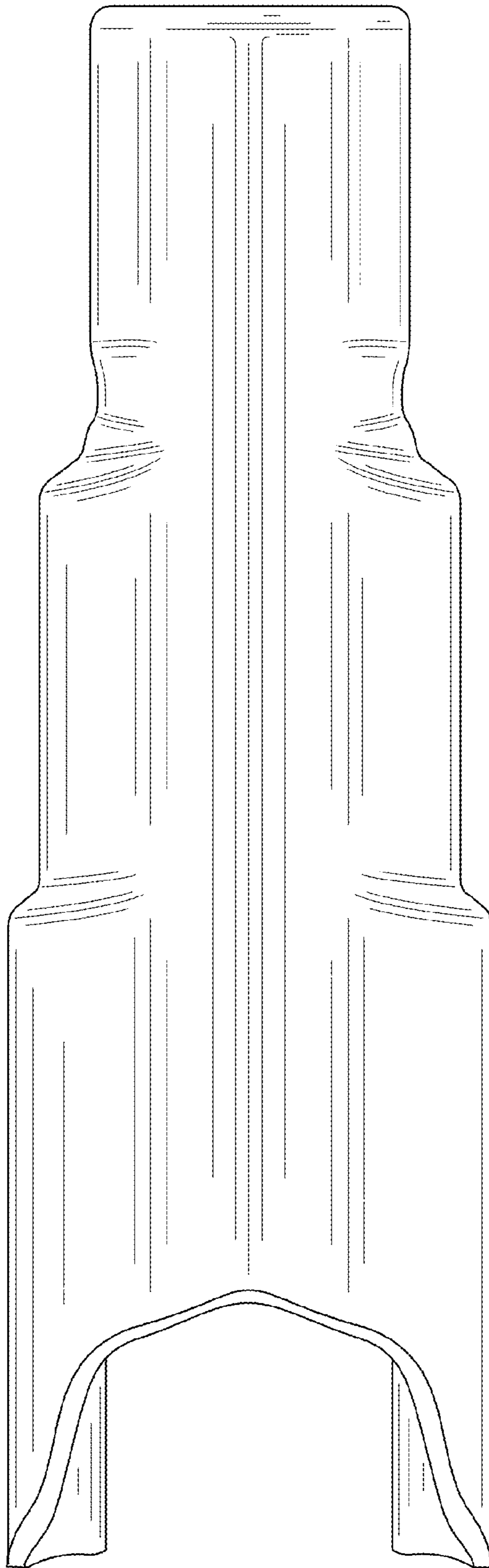


FIG. 4

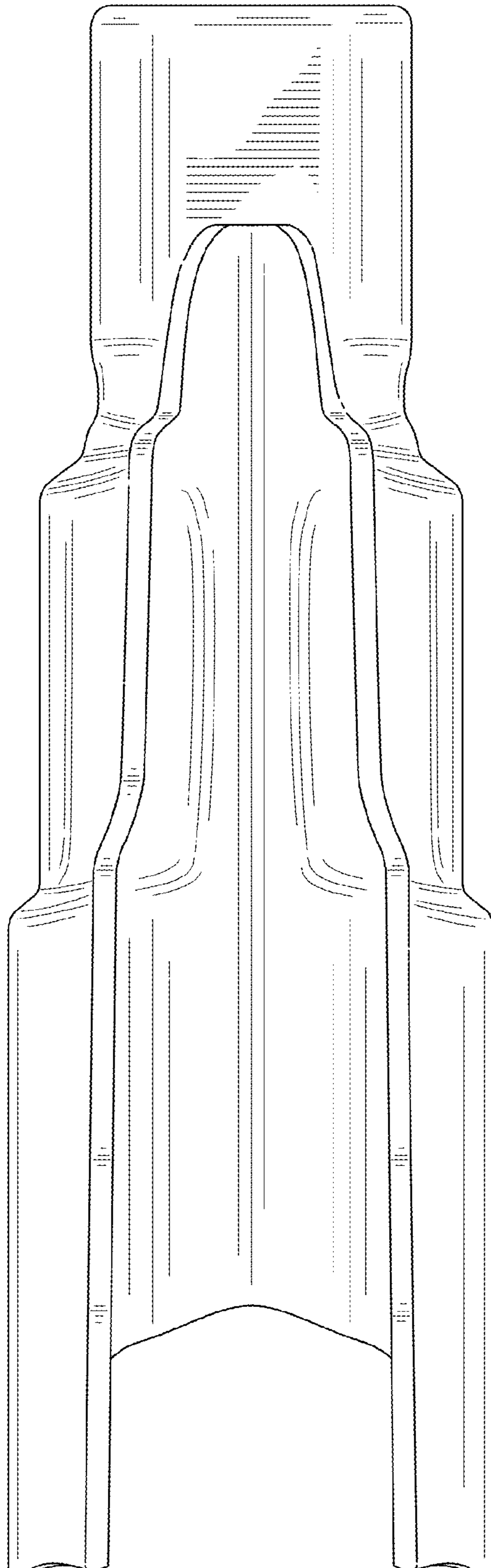


FIG. 5

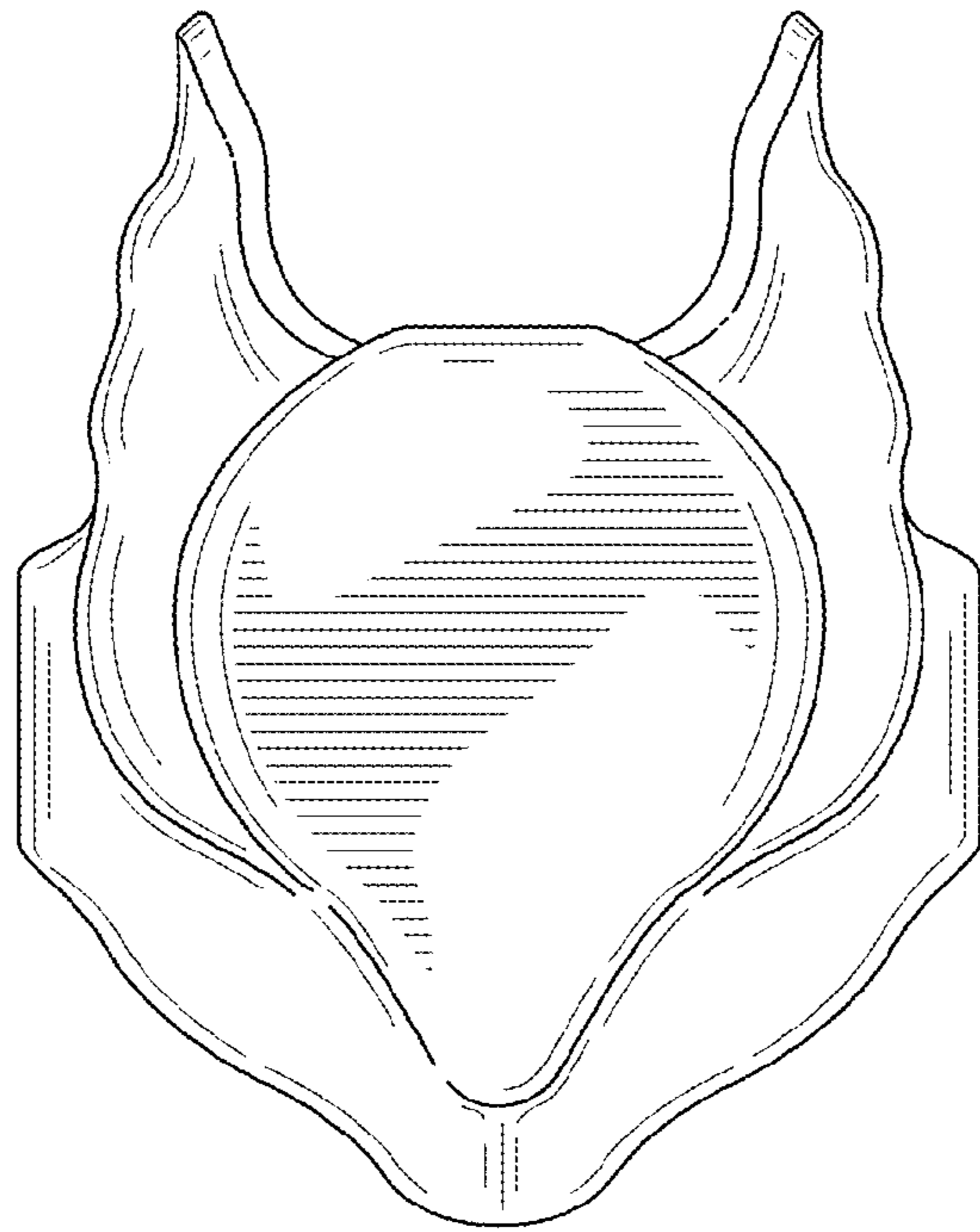


FIG. 6

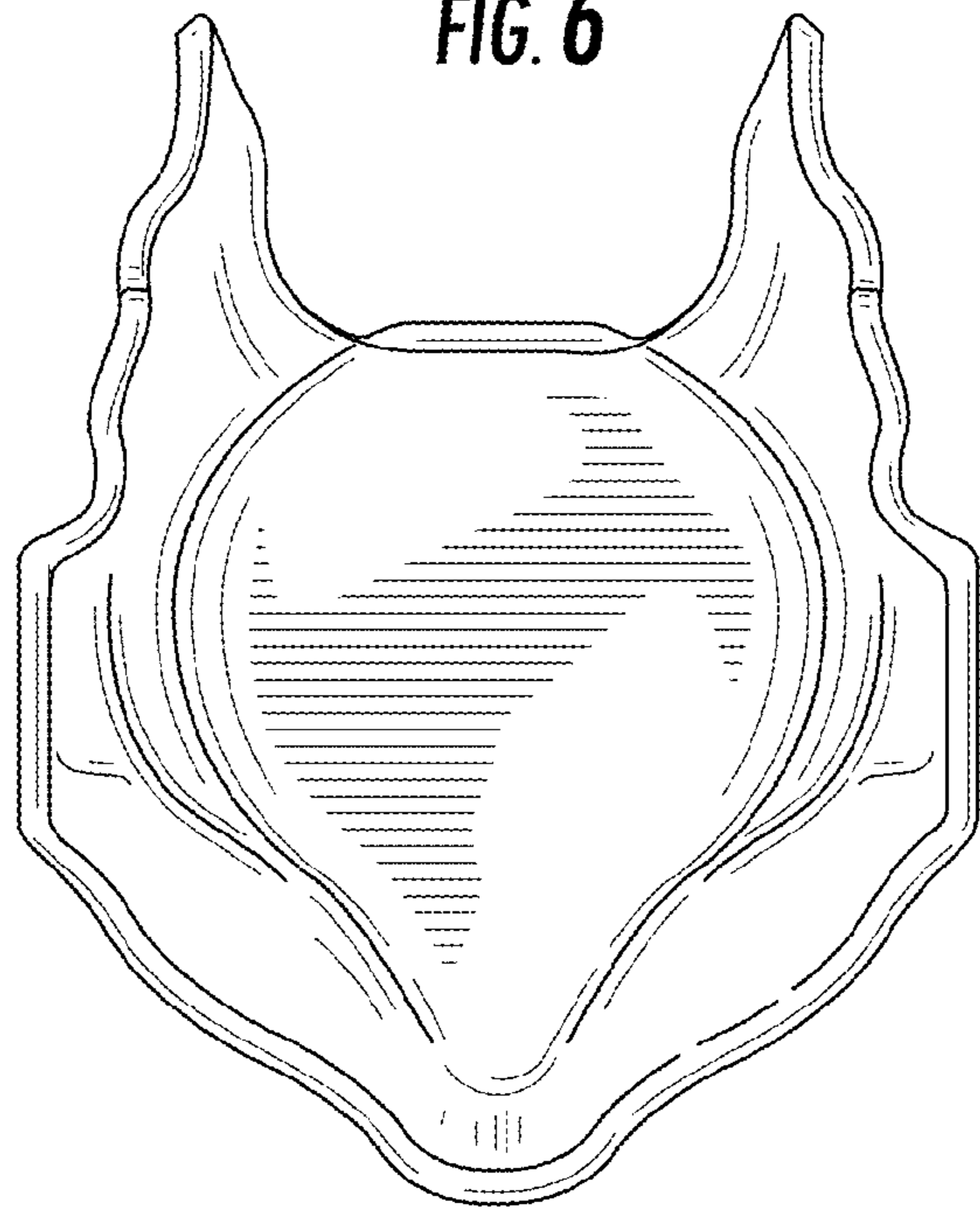


FIG. 7

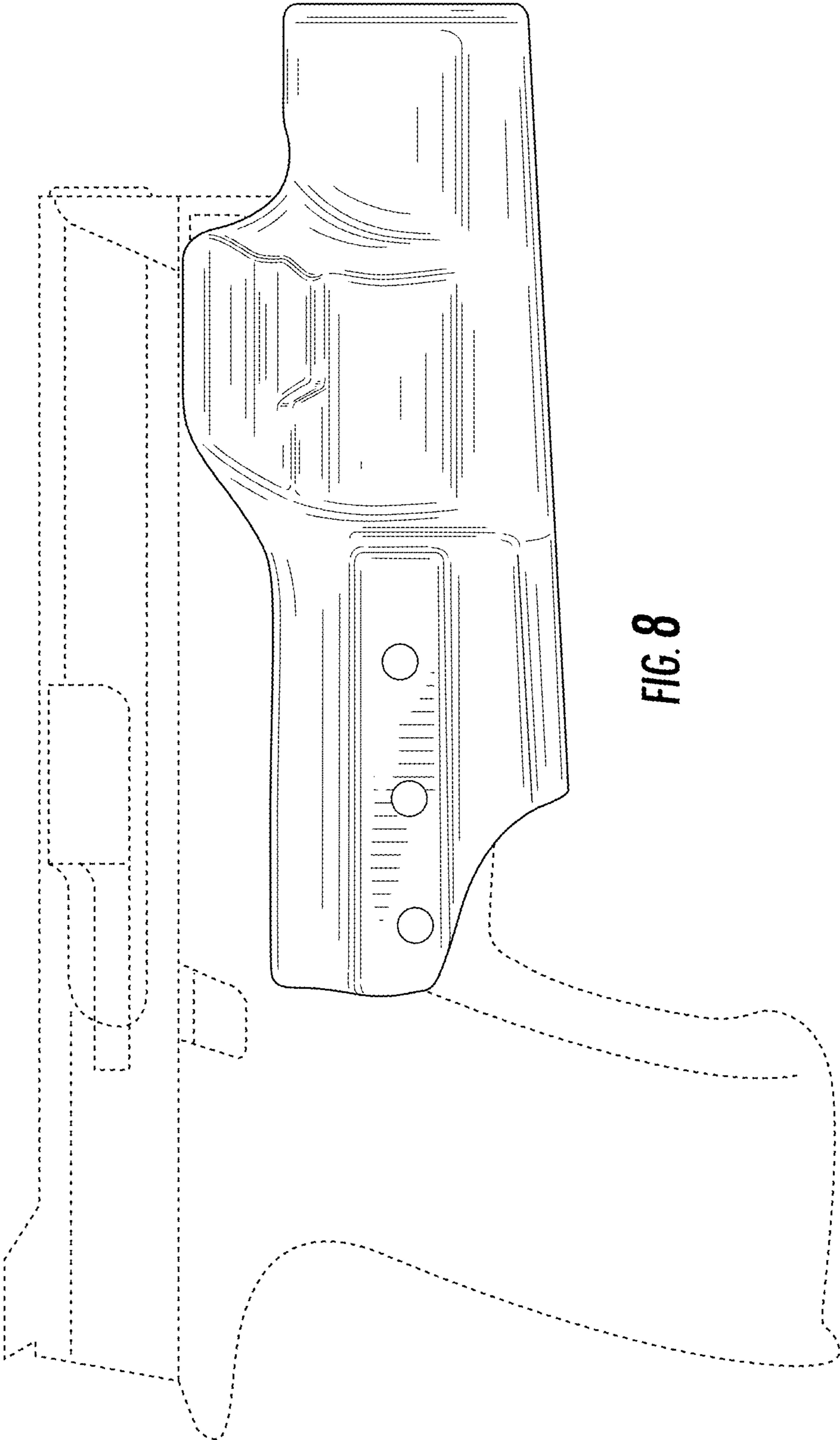


FIG. 8