



US00D702797S

(12) **United States Design Patent**
Donnelly

(10) **Patent No.:** **US D702,797 S**
(45) **Date of Patent:** **** Apr. 15, 2014**

(54) **STOCK FOR A FIREARM**

(76) Inventor: **Douglas F. Donnelly**, Hartford, CT (US)

(**) Term: **14 Years**

(21) Appl. No.: **29/431,402**

(22) Filed: **Sep. 6, 2012**

(51) **LOC (10) Cl.** **22-01**

(52) **U.S. Cl.**
USPC **D22/108**

(58) **Field of Classification Search**

USPC D22/100, 101, 103, 104, 108, 199;
42/51, 90, 71.01, 71.02, 73, 75.01,
42/75.02; D21/572-573; 89/40.06, 37.04,
89/33.04

See application file for complete search history.

(56) **References Cited**

U.S. PATENT DOCUMENTS

8,448,366 B2 * 5/2013 Faifer 42/71.02
2011/0088305 A1 * 4/2011 Oz 42/69.01

OTHER PUBLICATIONS

Midway USA Just About Everything for Shooting, Reloading, Gunsmithing and Hunting; Fajen Legacy Series Adjustable Rifle Stock Ruger 10/22 .920" Barrel Channel Synthetic Black; Product # 160119; Fajen # 548656; <http://www.midwayusa.com/product/160119/fajen-legacy-series-adjustable-rifle-stock-ruger-10-22-920-barrel-channel-synthetic-black>; downloaded Aug. 13, 2013, 4 pages.
Personal Security Zone.com; Talon Tactical Shotgun Stock Recoil Reducing Mossberg 500, Catalog Number ADVA 1101140; <http://personalsecurityzone.com/product/Talon-Tactical-Shotgun-Stock-Recoil-Reducing-Mossberg-500-A.1.10.1140-758152110282-45255>; downloaded Aug. 13, 2013, 3 pages.
ATI Advantage; Stoeger P350 Talon T2 Six Position Adjustable Shotgun Stock with Scorpion Recoil System; Part # A.1.1.10.1421; <http://>

www.atigunstocks.com/stoeger-stocks/518-stoeger-p350-talon-tactical-six-position-adjustable-shotgun-stock-forend-with-scorpion-recoil-system.html; downloaded Aug. 13, 2013, 2 pages.
Beretta USA; Beretta U22 Neos Carbine Kit .22LR Caliber Stock No. JU22CK1; <http://www.berettausa.com/products/u22-neos-carbine-kit/ju22ck1/>; downloaded Aug. 13, 2013, 2 pages.
Thesamba.com . . . when your daily driver isn't enough.; View topic—Been to the Gun shop lately? <http://www.thesamba.com/vw/forum/viewtopic.php?t=290326&start=340>; downloaded Aug. 13, 2013, 12 pages.
Brownells; Choate—Target & Sniper Stock; <http://www.brownells.com/rifle-parts/stock-forend-parts/rifle-stocks/fits-rem-700-adl-bdl-long-action-sku159220111-4208-10107.aspx>; downloaded Aug. 13, 2013, 2 pages.

* cited by examiner

Primary Examiner — Michael A Pratt

(74) *Attorney, Agent, or Firm* — Christie, Parker & Hale, LLP

(57) **CLAIM**

The ornamental design for stock for a firearm, as shown and described.

DESCRIPTION

FIG. 1 is a top, front, left perspective view of a stock for a firearm showing the new design.
FIG. 2 is a left view thereof.
FIG. 3 is a back view thereof.
FIG. 4 is a right view thereof.
FIG. 5 is a front view thereof.
FIG. 6 is a top view thereof; and,
FIG. 7 is a bottom view thereof.
The unclaimed broken lines immediately adjacent to the shaded area represent the boundaries of the design.

1 Claim, 5 Drawing Sheets

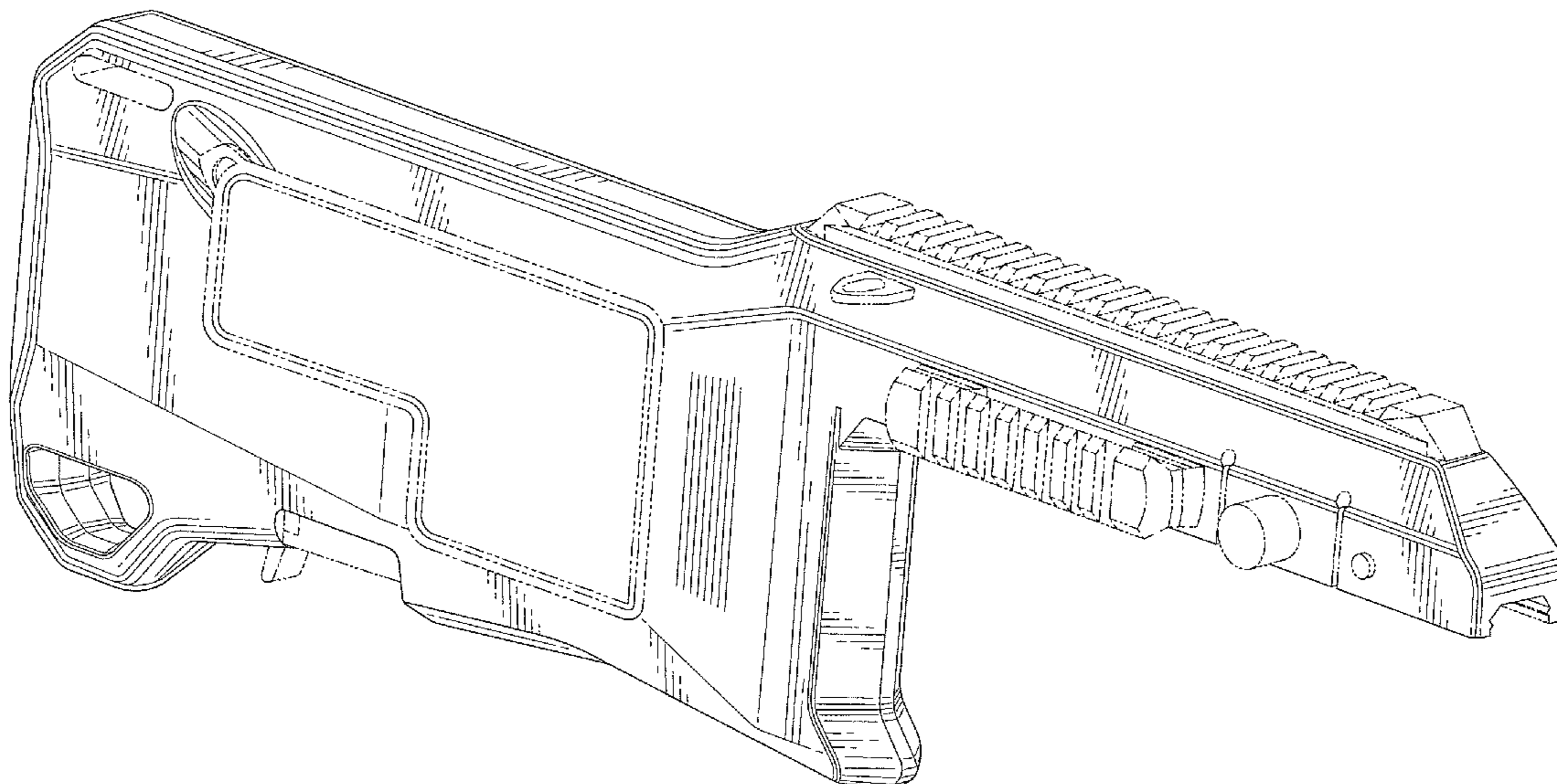


FIG. 1

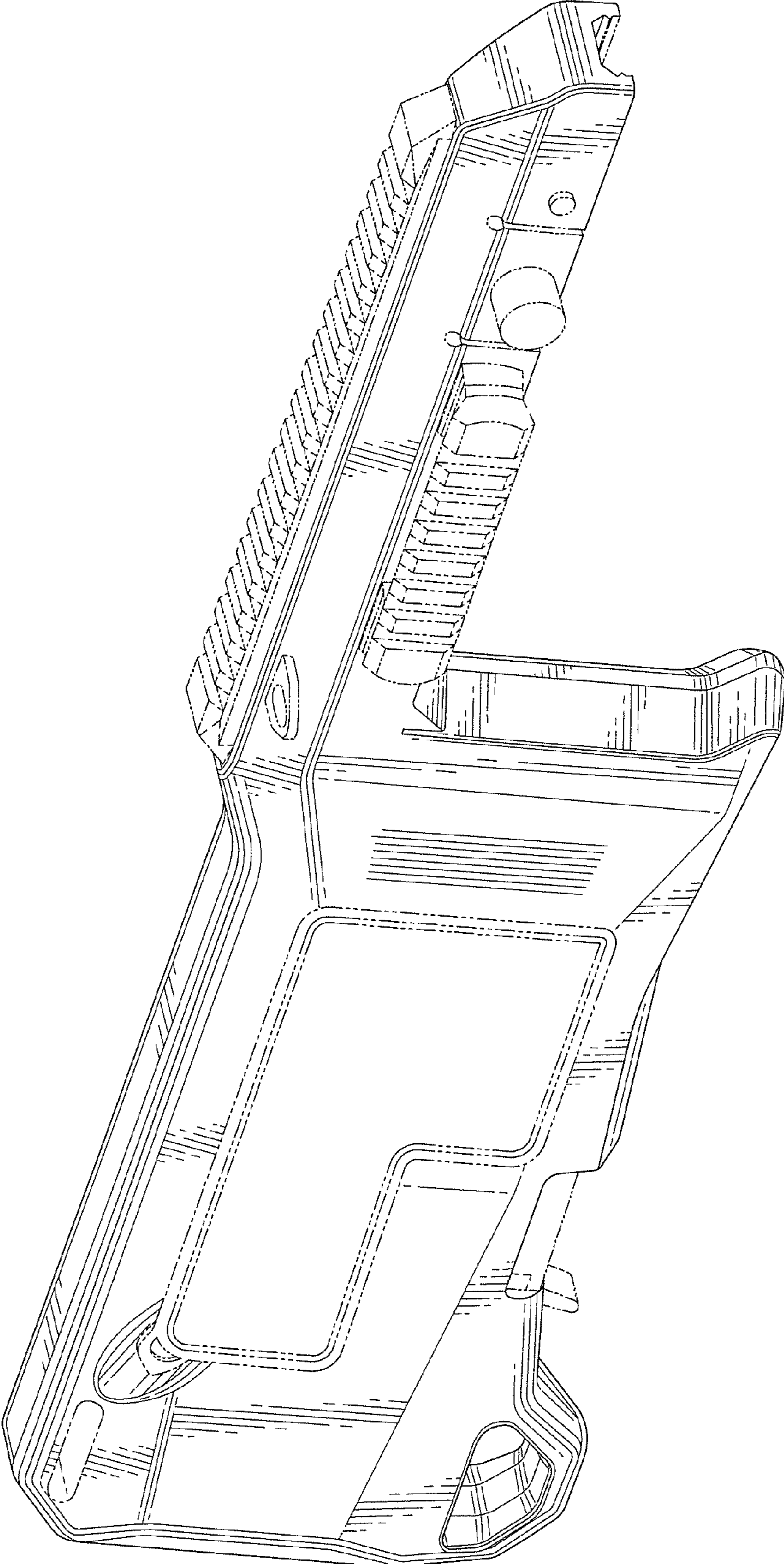


FIG. 2

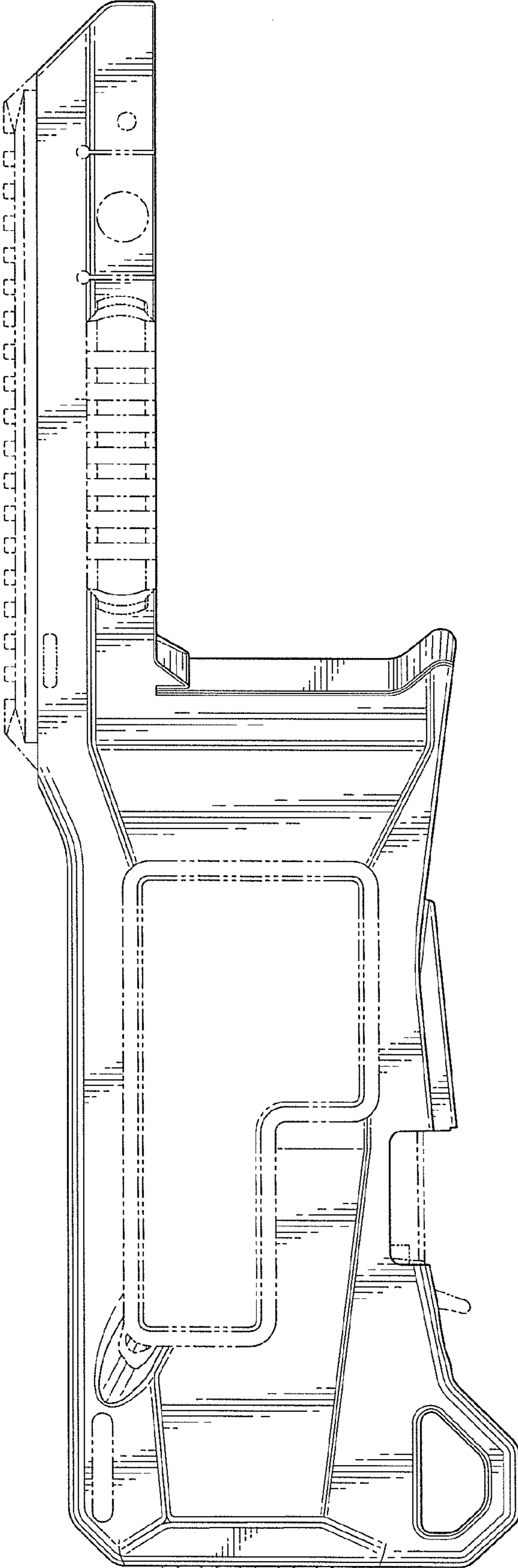


FIG. 5

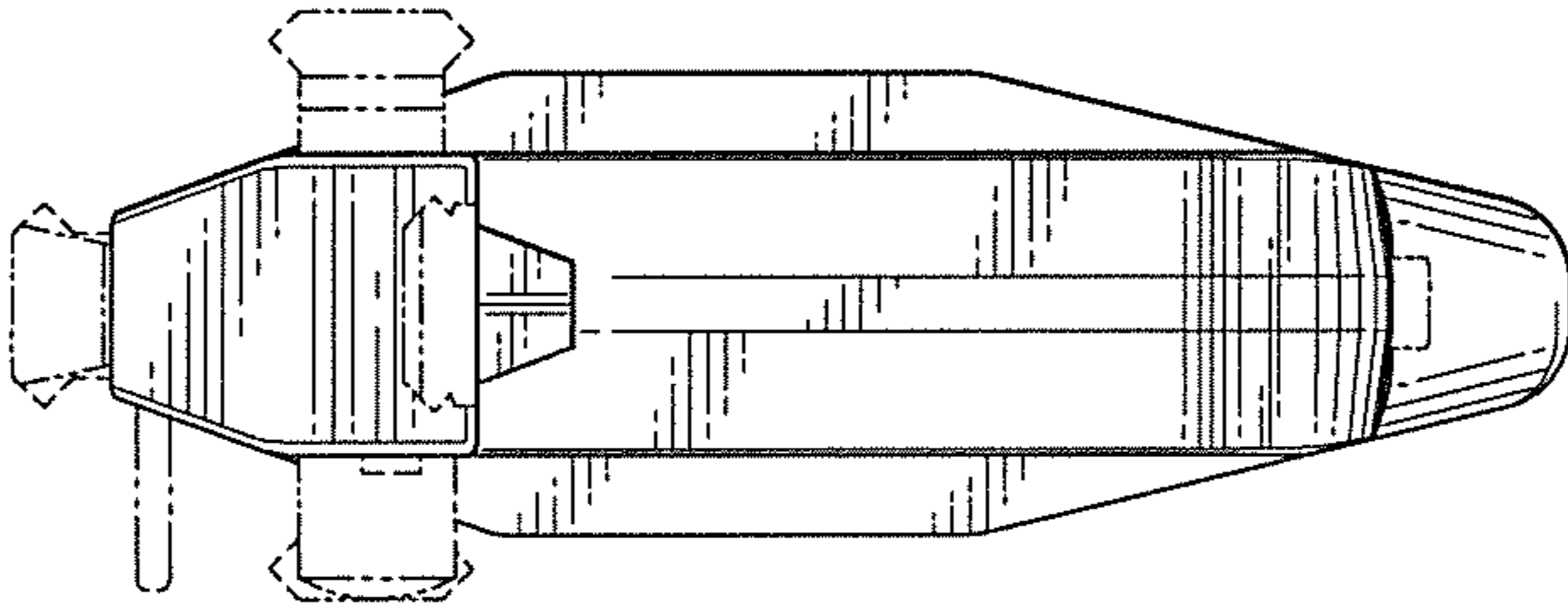


FIG. 3

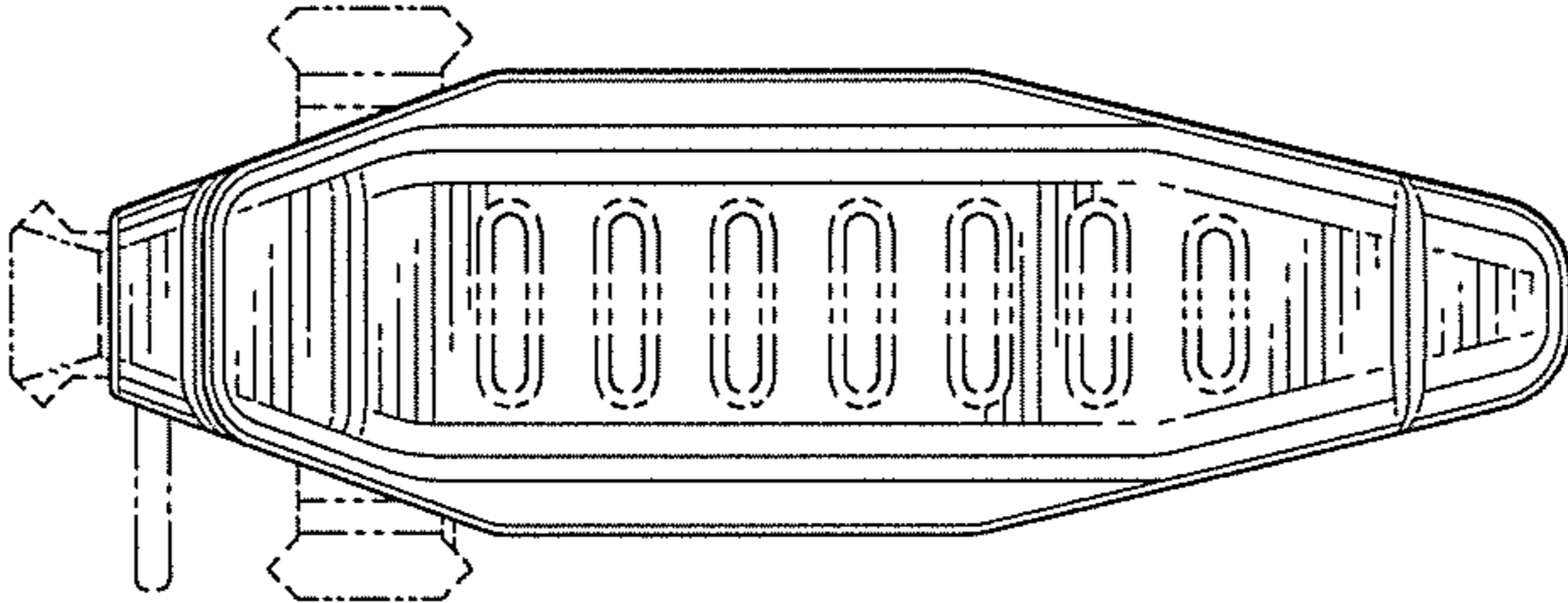


FIG. 4

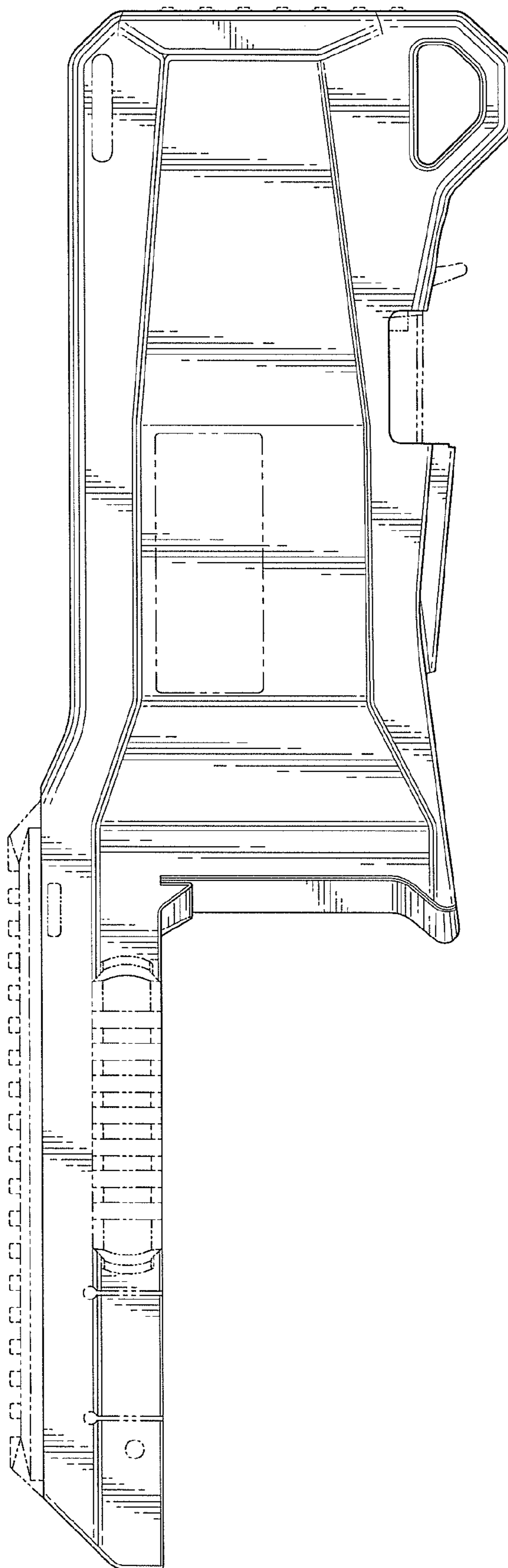


FIG. 6

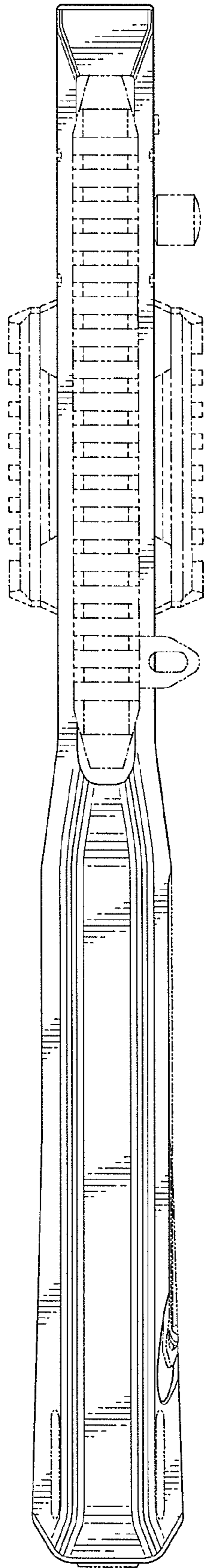


FIG. 7

