



US00D702796S

(12) **United States Design Patent**
Healey

(10) **Patent No.:** **US D702,796 S**

(45) **Date of Patent:** **** Apr. 15, 2014**

(54) **CASING CATCHER**

(71) Applicant: **Gerard J. Healey**, Scranton, PA (US)

(72) Inventor: **Gerard J. Healey**, Scranton, PA (US)

(**) Term: **14 Years**

(21) Appl. No.: **29/421,890**

(22) Filed: **Oct. 15, 2012**

(51) **LOC (10) Cl.** **22-01**

(52) **U.S. Cl.**
USPC **D22/108**

(58) **Field of Classification Search**
USPC D22/108; 42/90, 98, 106; 89/33.4
See application file for complete search history.

(56) **References Cited**

U.S. PATENT DOCUMENTS

3,739,685	A	6/1973	Lundgren	
3,978,602	A	9/1976	Morrow et al.	
4,020,738	A *	5/1977	Martinez	89/33.4
4,430,820	A *	2/1984	Marsh	42/98
5,398,439	A *	3/1995	Harless	42/98
6,530,169	B1 *	3/2003	Griffin	42/98
6,766,607	B2	7/2004	Castaldo	

7,043,863	B2	5/2006	Saur	
7,168,200	B2 *	1/2007	Perez et al.	42/98
2002/0007581	A1 *	1/2002	Bucciarelli et al.	42/98

* cited by examiner

Primary Examiner — Michael A Pratt

(74) *Attorney, Agent, or Firm* — Paul R. Martin

(57) **CLAIM**

The ornamental design for a casing catcher, as shown and described.

DESCRIPTION

FIG. 1 is a perspective view of the casing catcher of my new design, showing the device attached to the barrel of a hand gun.

FIG. 2 is a rear elevational view of the casing catcher of my new design shown in FIG. 1.

FIG. 3 is a front elevational view thereof.

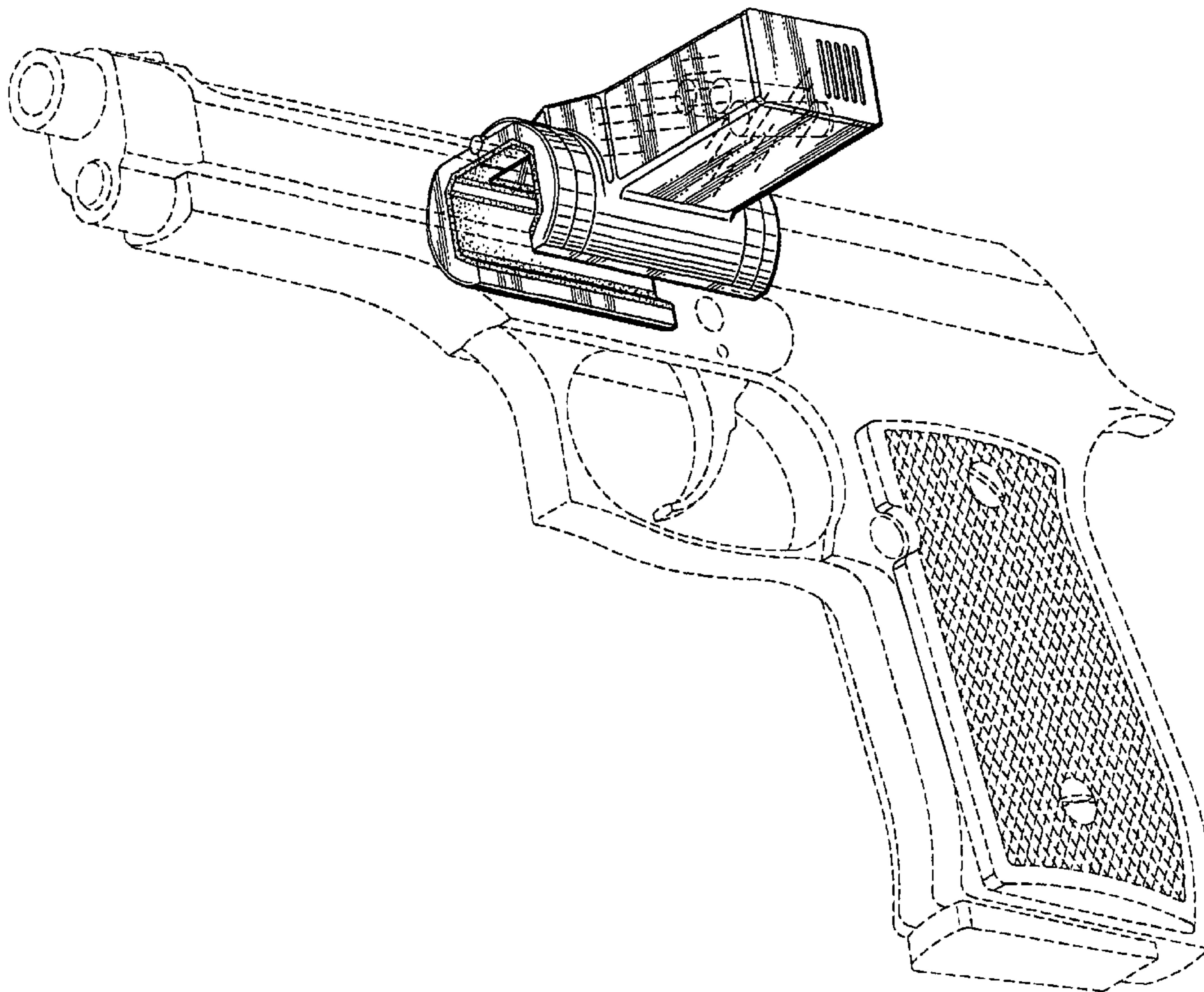
FIG. 4 is a top plan view thereof.

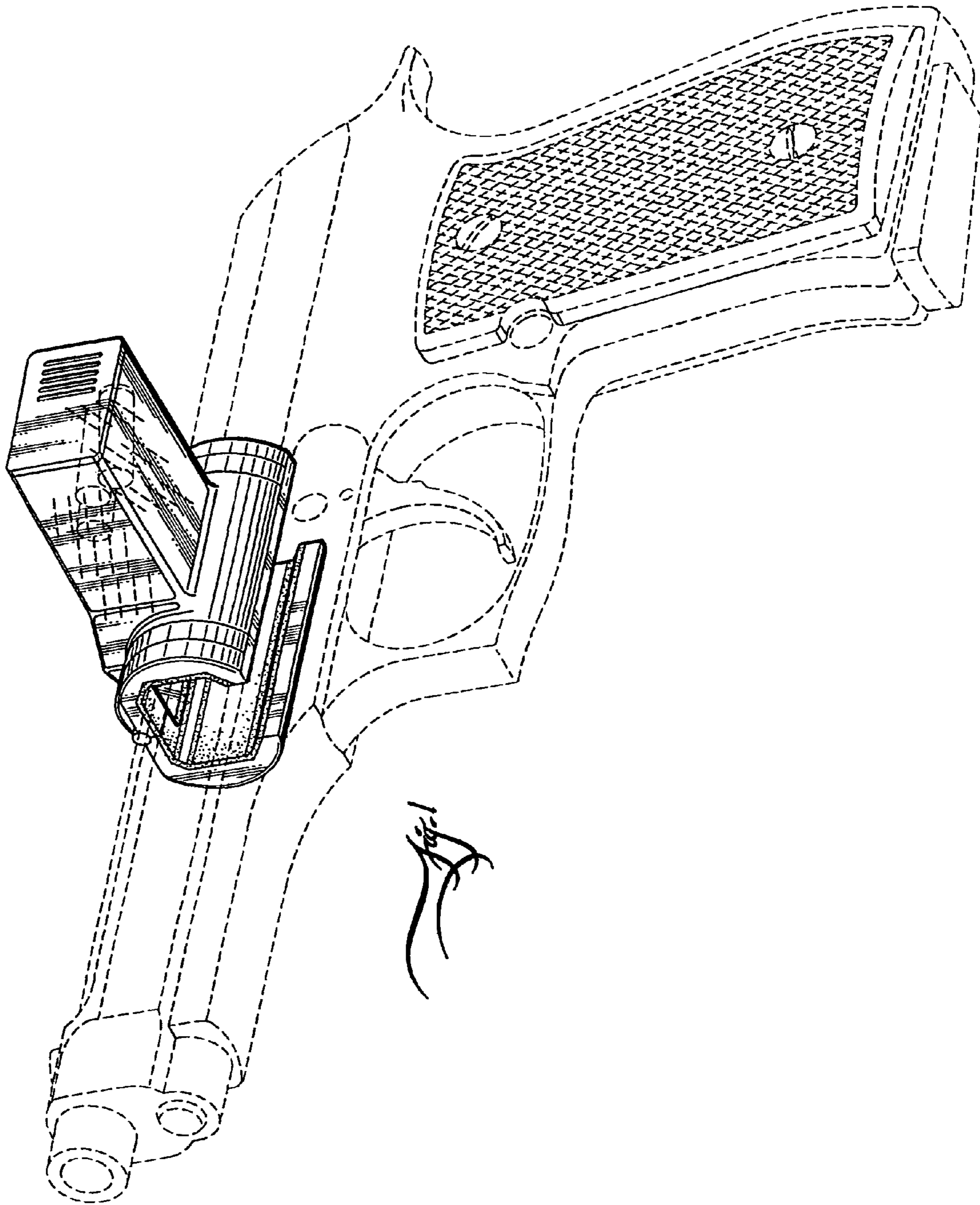
FIG. 5 is an elevational view of one side thereof.

FIG. 6 is an elevational view of the opposite side thereof; and, FIG. 7 is a plan view from the bottom thereof.

The broken line elements shown in FIG. 1, showing a hand gun, are environmental, and form no part of the invention.

1 Claim, 6 Drawing Sheets





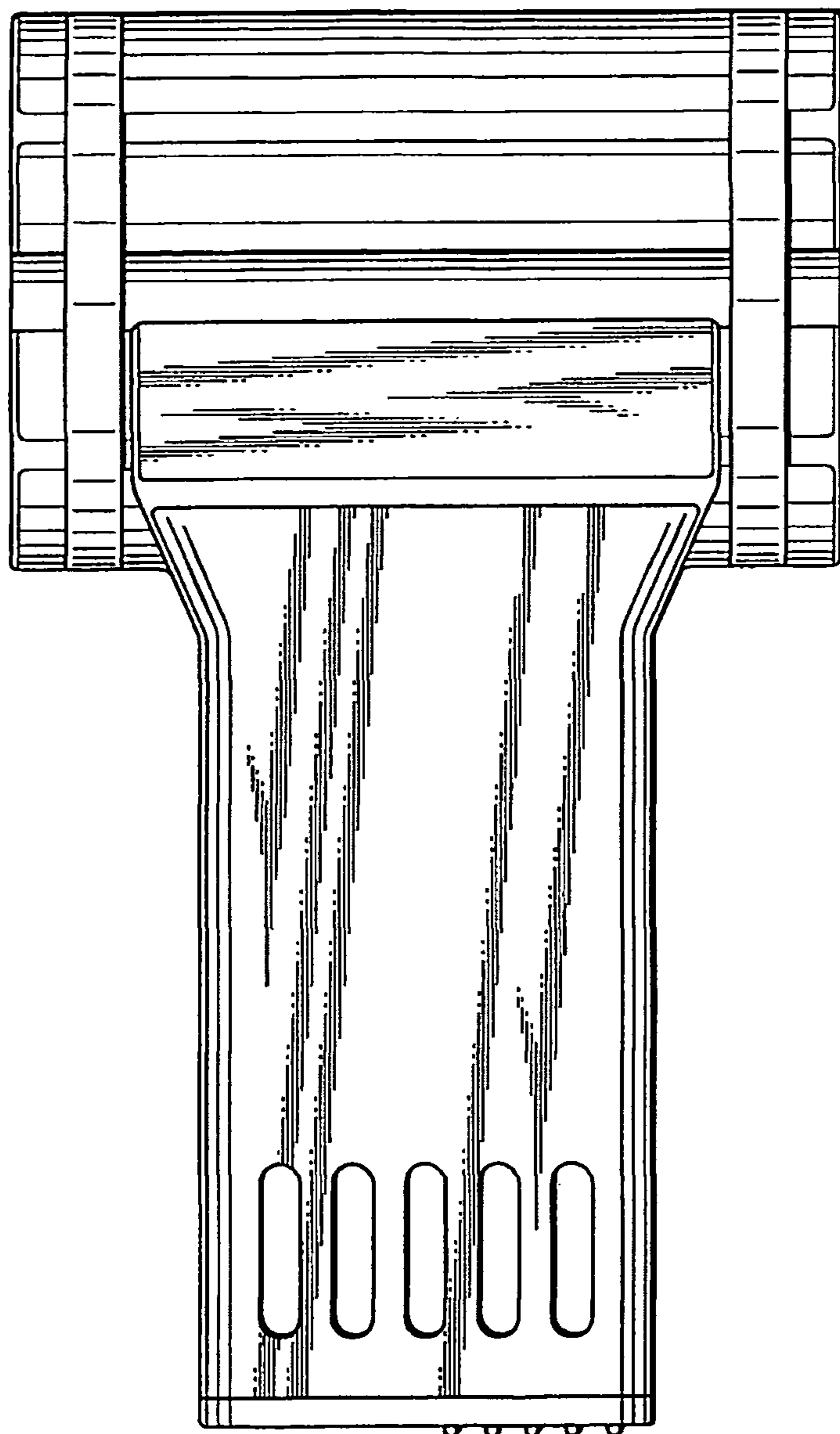


Fig. 2

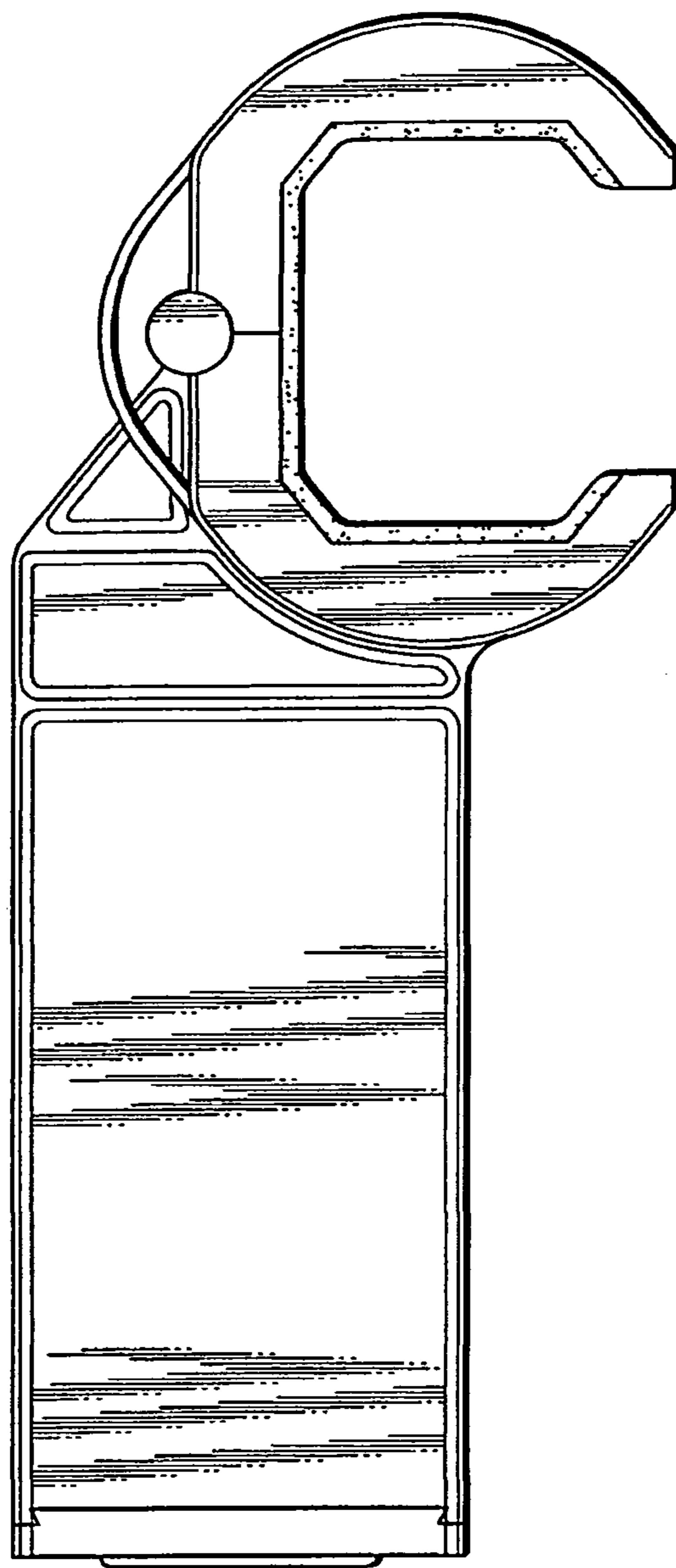
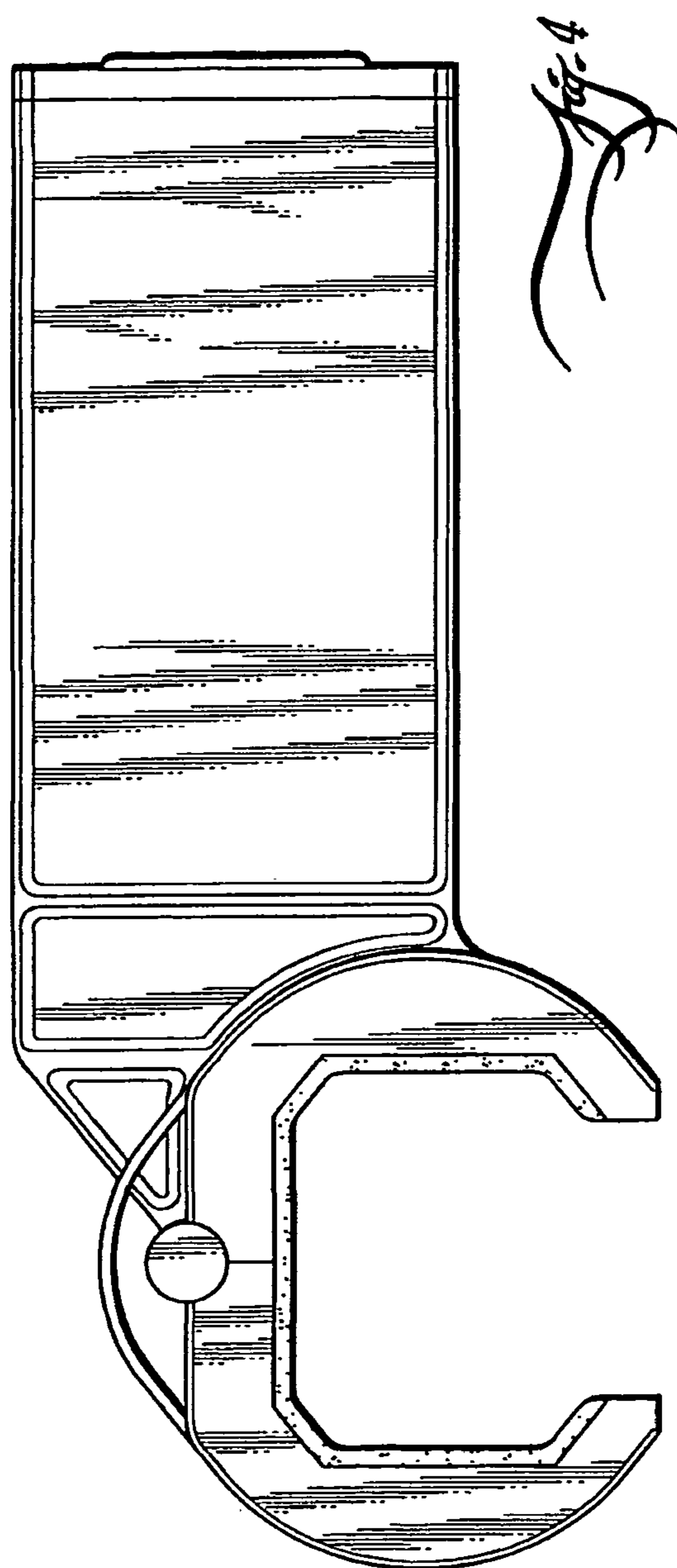


Fig. 3



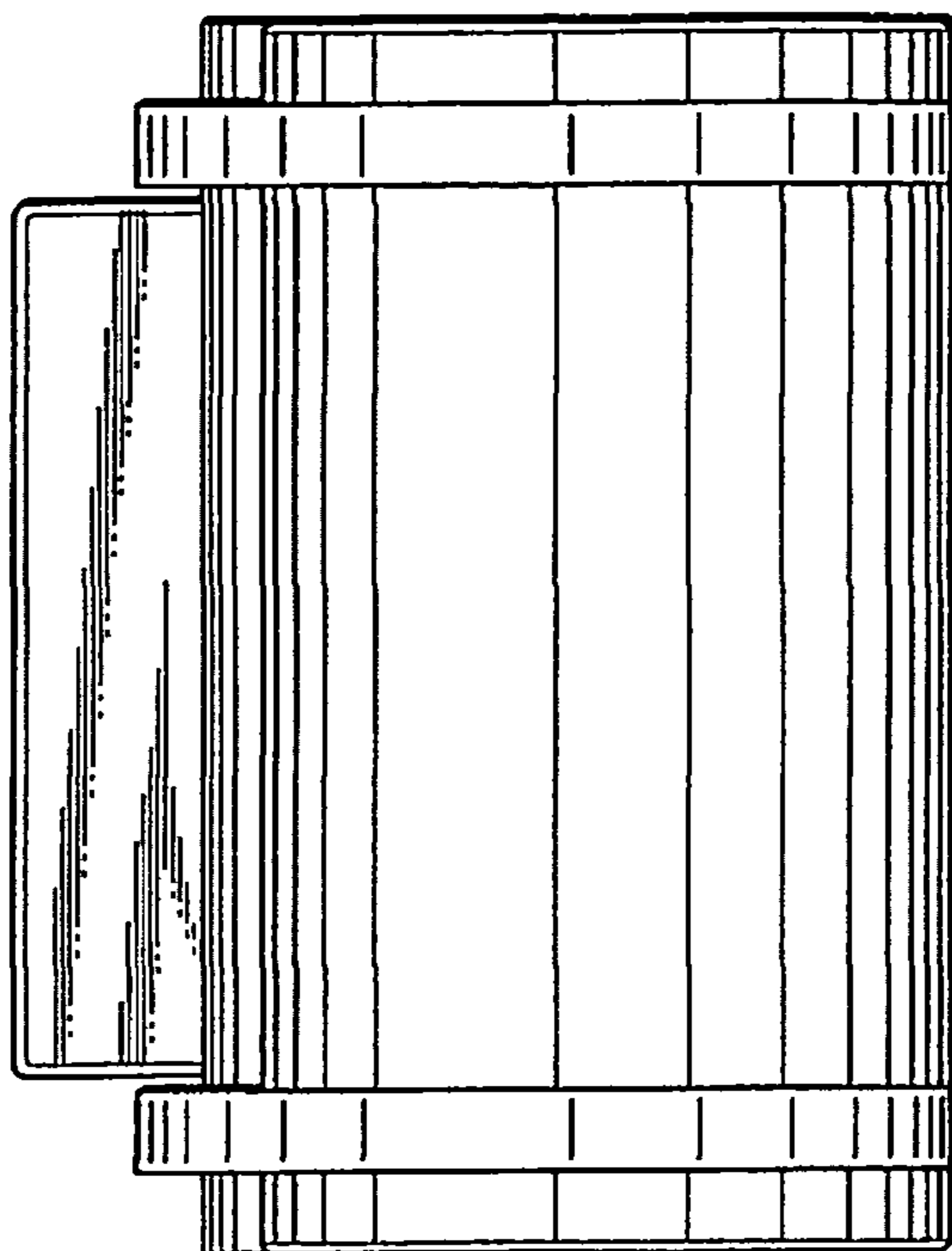


Fig. 6

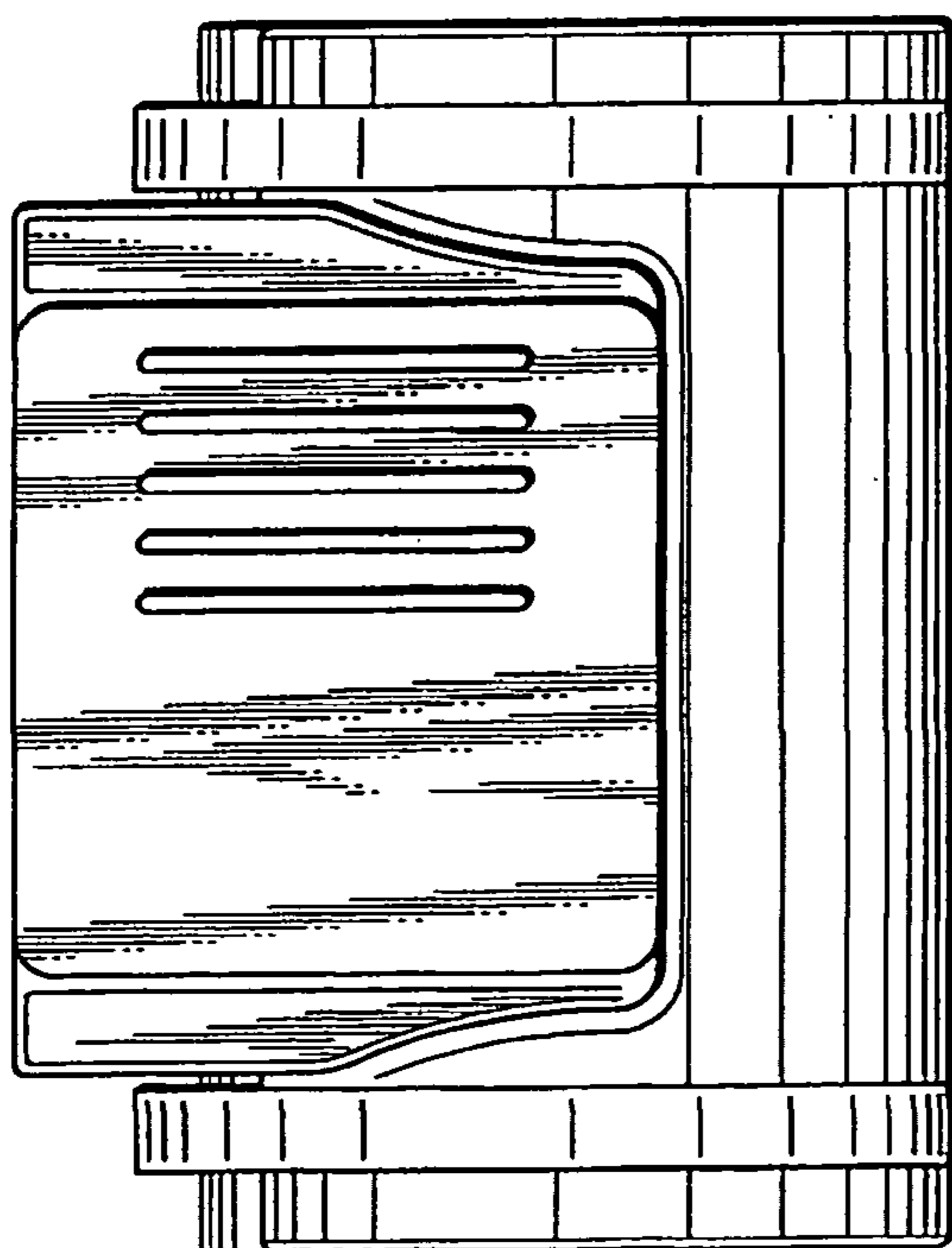


Fig. 5

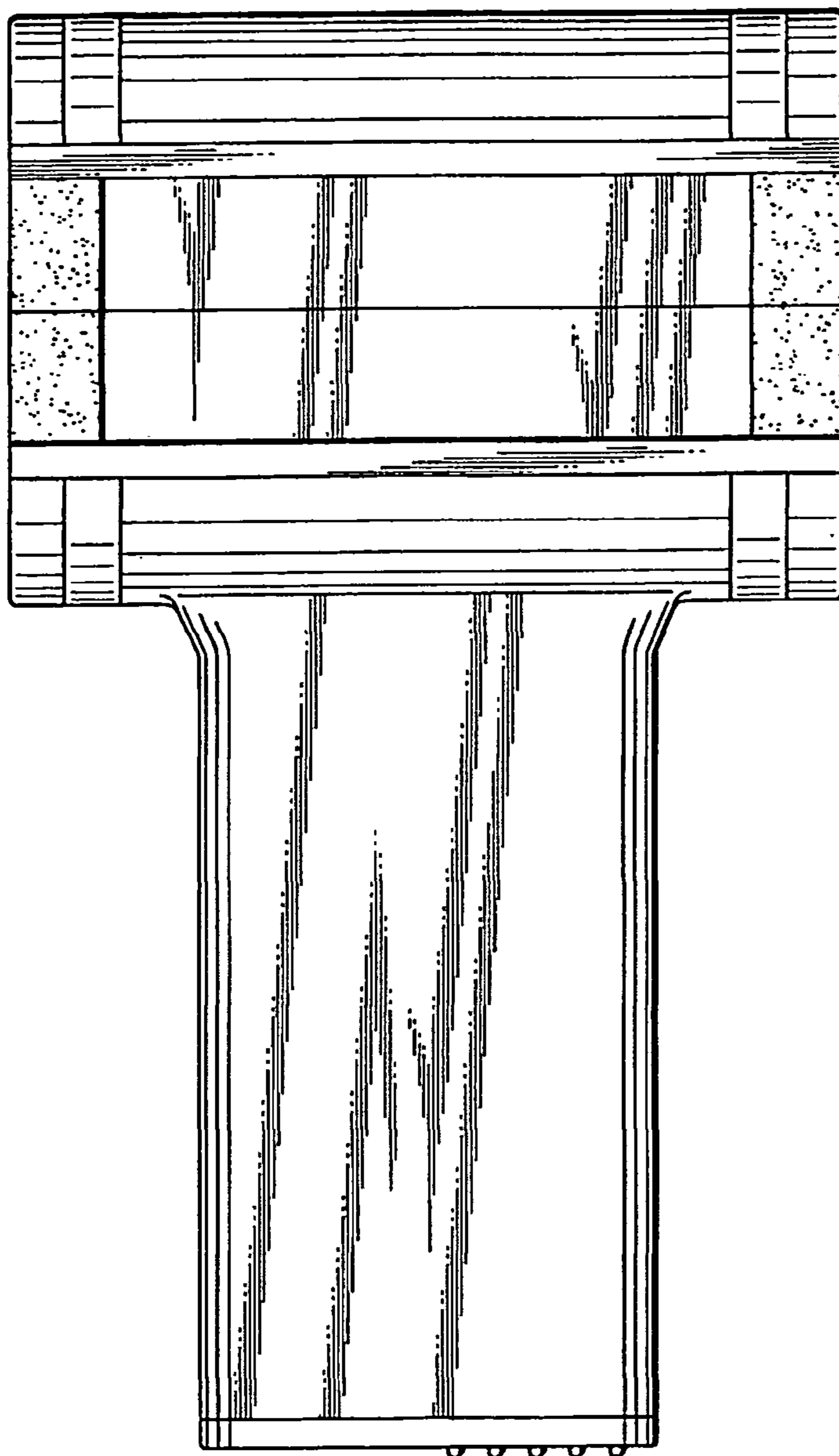


Fig. 7