



US00D702795S

(12) **United States Design Patent**
Webb et al.

(10) **Patent No.:** **US D702,795 S**
(45) **Date of Patent:** **** Apr. 15, 2014**

- (54) **BOWSTRING SILENCER**
- (71) Applicant: **TruGlo, Inc.**, Richardson, TX (US)
- (72) Inventors: **Gregory A. Webb**, Garland, TX (US);
John Estridge, Plano, TX (US);
Anthony T. LoRocco, Dallas, TX (US)
- (73) Assignee: **TruGlo, Inc.**, Richardson, TX (US)
- (**) Term: **14 Years**
- (21) Appl. No.: **29/441,443**
- (22) Filed: **Jan. 4, 2013**
- (51) **LOC (10) Cl.** **22-01**
- (52) **U.S. Cl.**
USPC **D22/107**
- (58) **Field of Classification Search**
USPC D22/107, 115-116; 124/35.2, 89-90,
124/92; D21/573
See application file for complete search history.

D584,134	S	*	1/2009	Lee	D8/367
D628,670	S		12/2010	McPherson		
D628,699	S		12/2010	McPherson		
D661,363	S		6/2012	McPherson		
D682,969	S	*	5/2013	Khoshnood et al.	D22/107
D682,971	S	*	5/2013	Khoshnood et al.	D22/107
8,448,633	B2	*	5/2013	McPherson	124/92
D689,580	S	*	9/2013	Khoshnood et al.	D22/107
D691,232	S	*	10/2013	Khoshnood et al.	D22/107
2010/0154769	A1		6/2010	Grace, Jr.		
2011/0094489	A1		4/2011	McPherson		

* cited by examiner

Primary Examiner — Michael A Pratt
(74) *Attorney, Agent, or Firm* — Alvin R. Wirthlin

(57) **CLAIM**
The ornamental design for a bowstring silencer, as shown and described.

DESCRIPTION

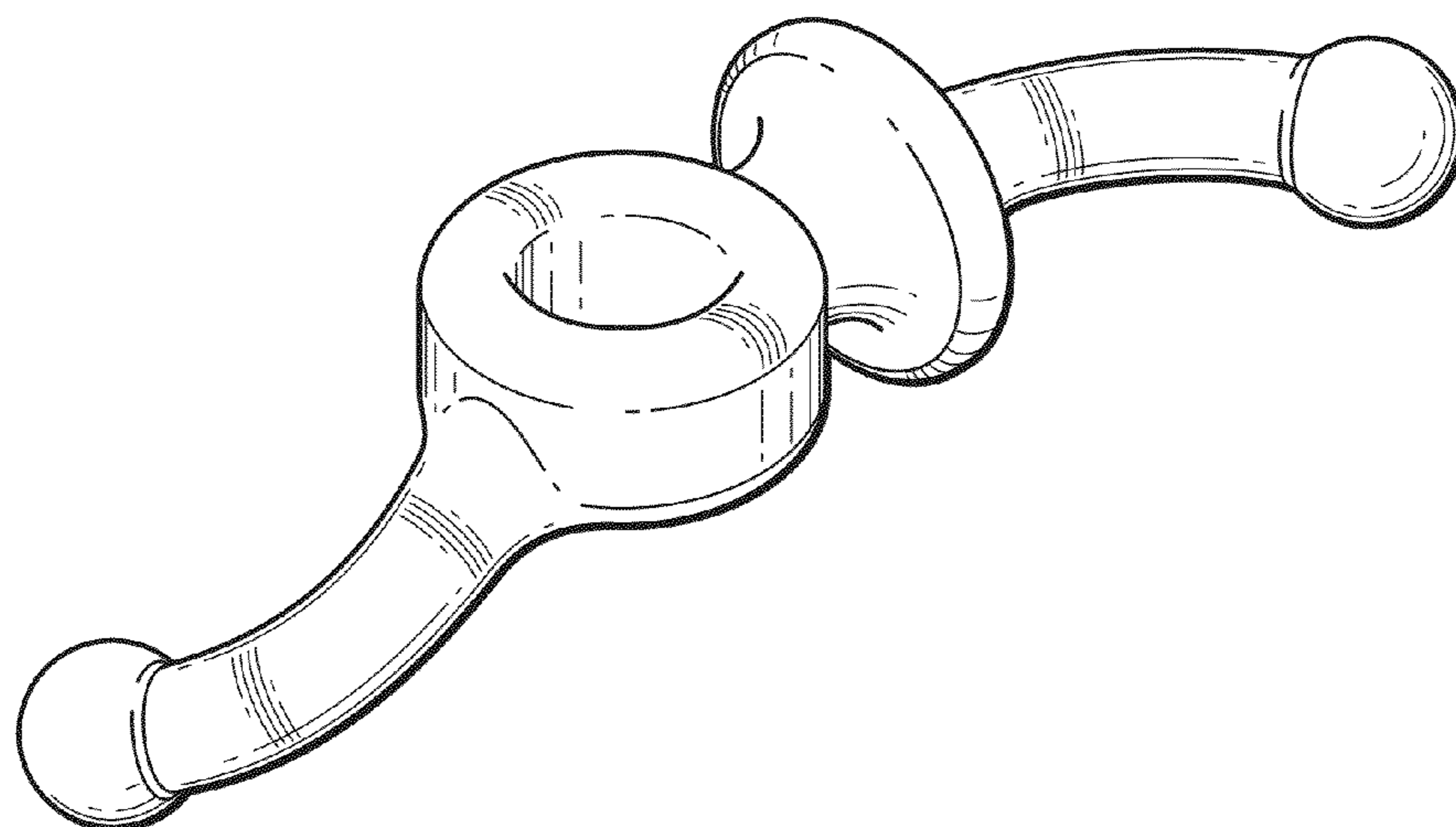
FIG. 1 is an isometric view of a bowstring silencer showing my new design;
 FIG. 2 is a front elevational view thereof;
 FIG. 3 is a rear elevational view thereof;
 FIG. 4 is a left side elevational view thereof;
 FIG. 5 is a right side elevational view thereof;
 FIG. 6 is a top plan view thereof;
 FIG. 7 is a bottom plan view thereof;
 FIG. 8 is an isometric view of a bowstring silencer showing my new design in accordance with a further embodiment of the invention;
 FIG. 9 is a front elevational view thereof;
 FIG. 10 is a rear elevational view thereof;
 FIG. 11 is a left side elevational view thereof;
 FIG. 12 is a right side elevational view thereof;
 FIG. 13 is a top plan view thereof; and,
 FIG. 14 is a bottom plan view thereof.

1 Claim, 6 Drawing Sheets

(56) **References Cited**

U.S. PATENT DOCUMENTS

D27,931	S	*	12/1897	Eaton	D11/208
D33,108	S	*	8/1900	Eaton	D11/208
3,059,629	A		10/1962	Stinson		
3,584,615	A		6/1971	Stinson		
3,597,803	A		8/1971	Van Neil		
3,612,029	A		10/1971	Carroll		
3,837,327	A		9/1974	Saunders et al.		
4,080,951	A	*	3/1978	Bateman, III	124/92
5,016,604	A		5/1991	Tilby		
D346,423	S	*	4/1994	Kitagawa	D22/134
6,044,526	A		4/2000	Putney		
6,237,584	B1		5/2001	Sims		
6,446,620	B1		9/2002	Summers et al.		
6,588,414	B2	*	7/2003	McMillan, III	124/89
6,679,242	B1	*	1/2004	Martin	124/90
6,761,158	B2		7/2004	Wright		



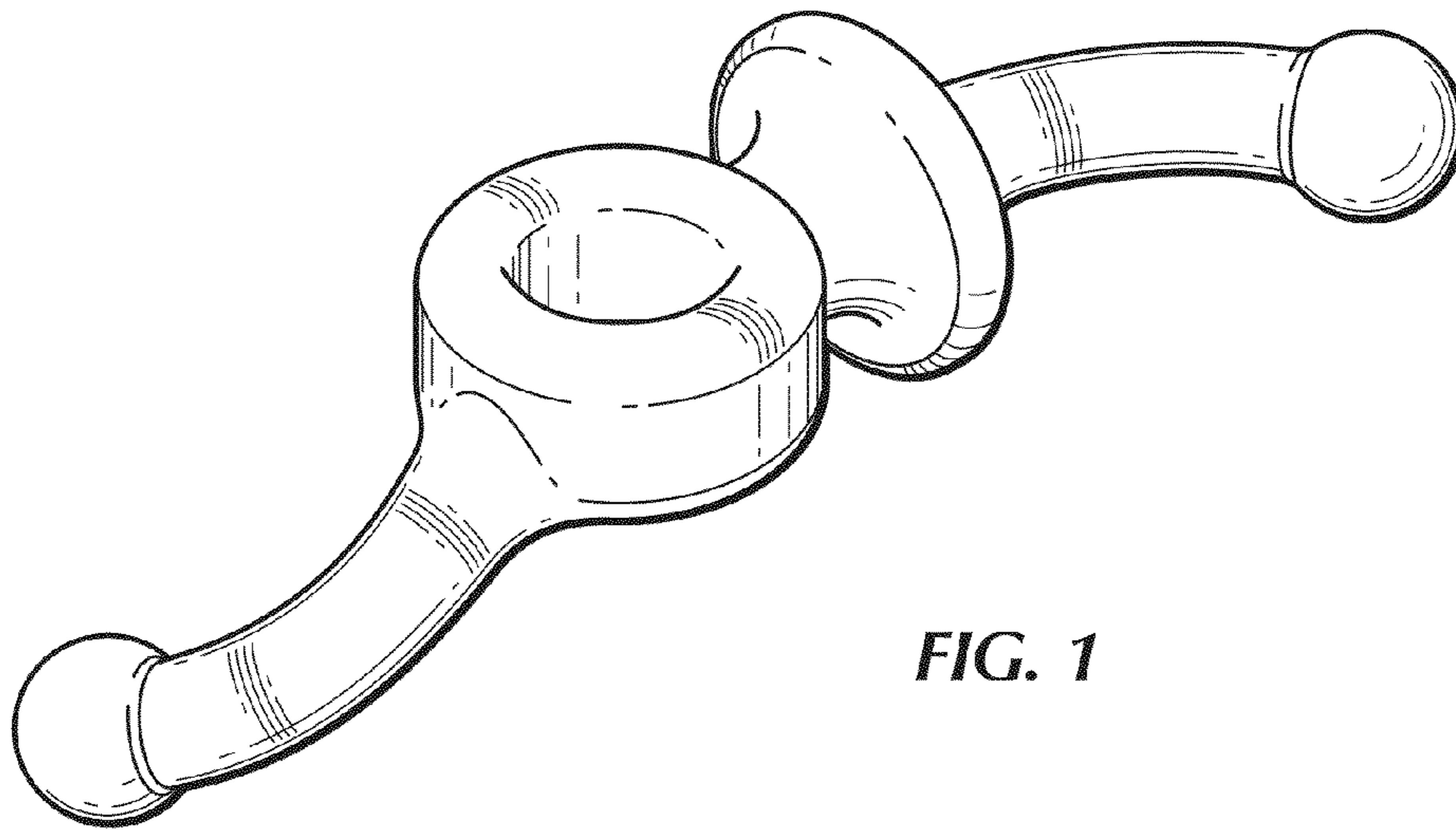


FIG. 1

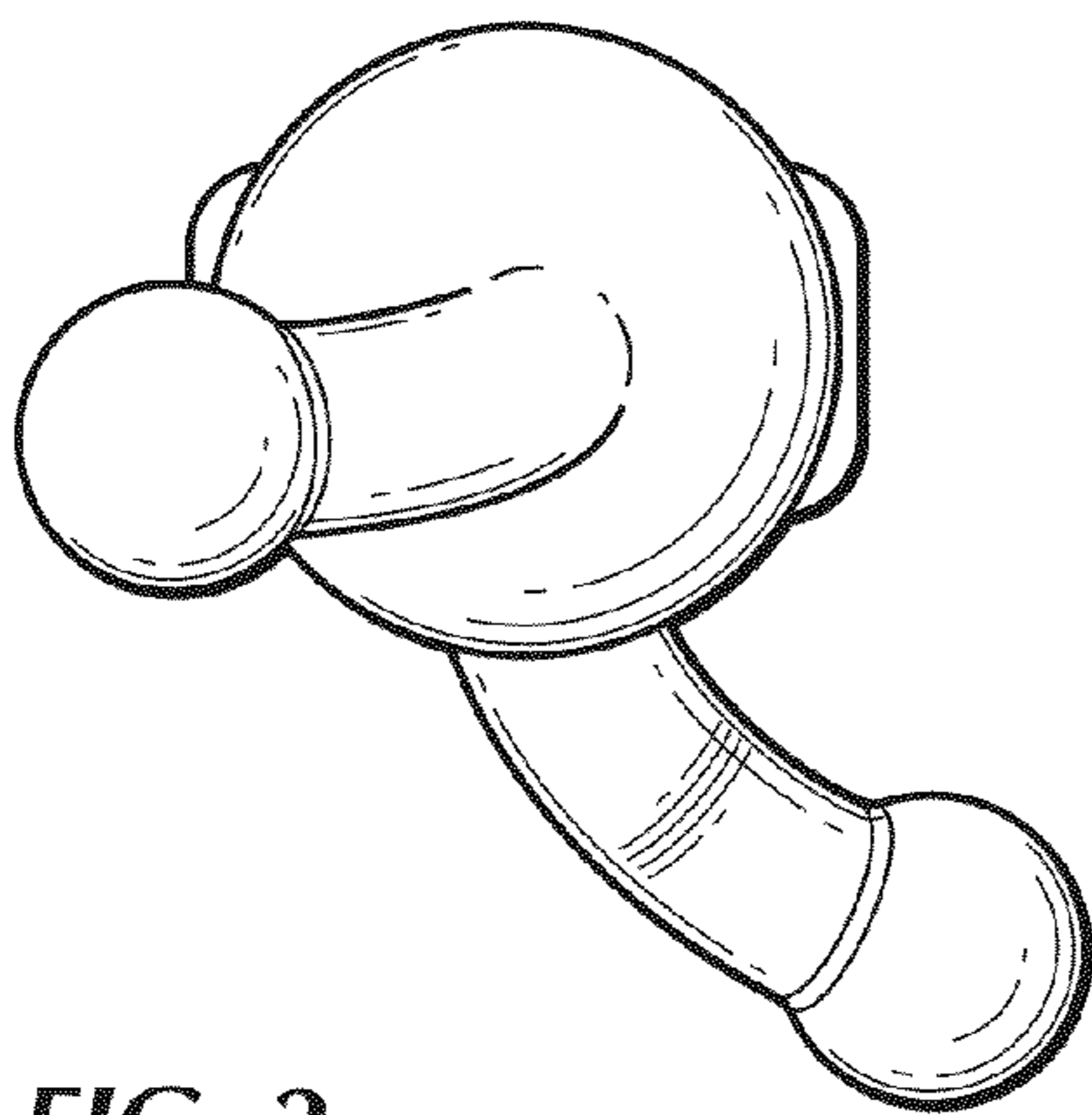


FIG. 2

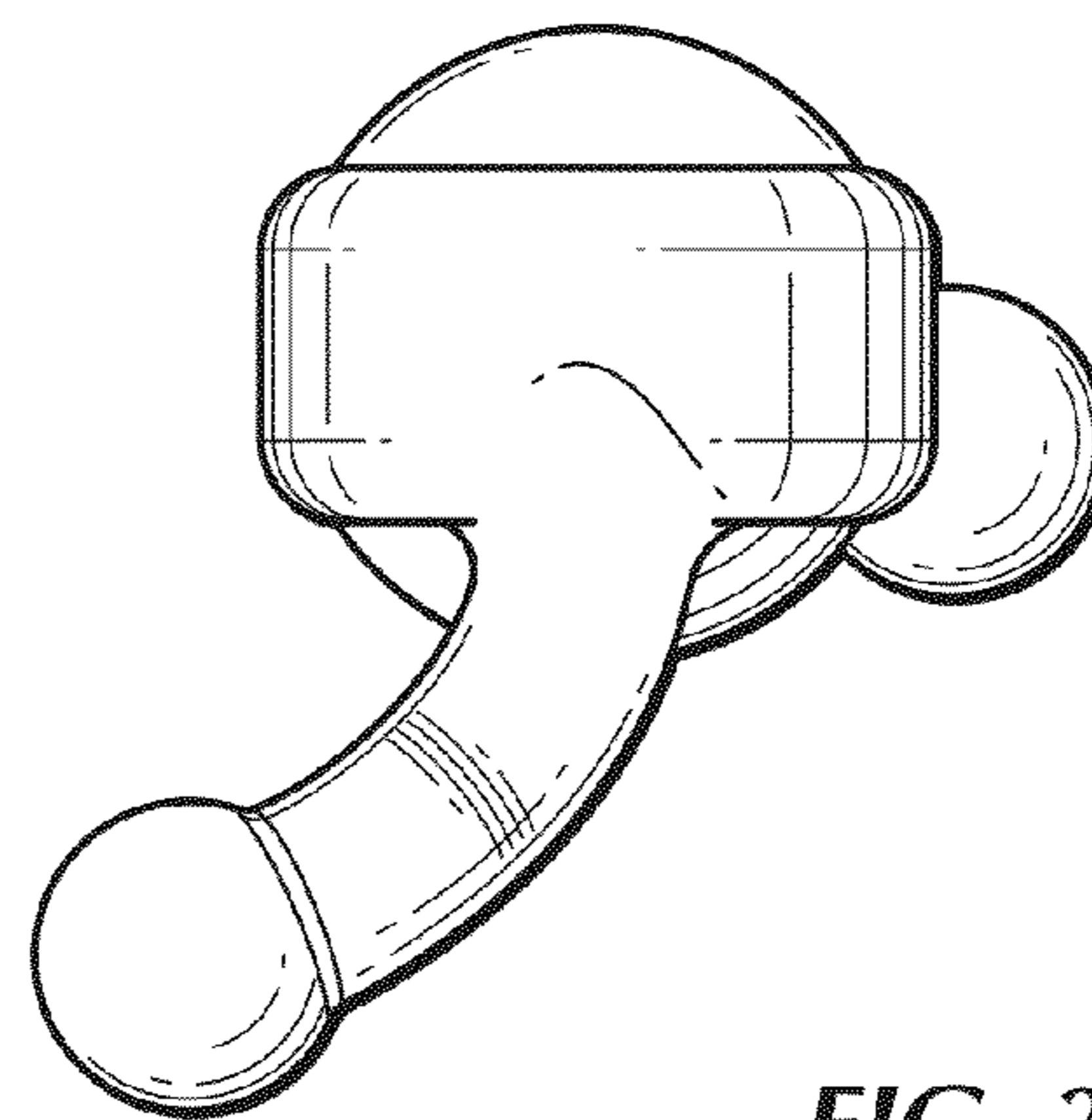
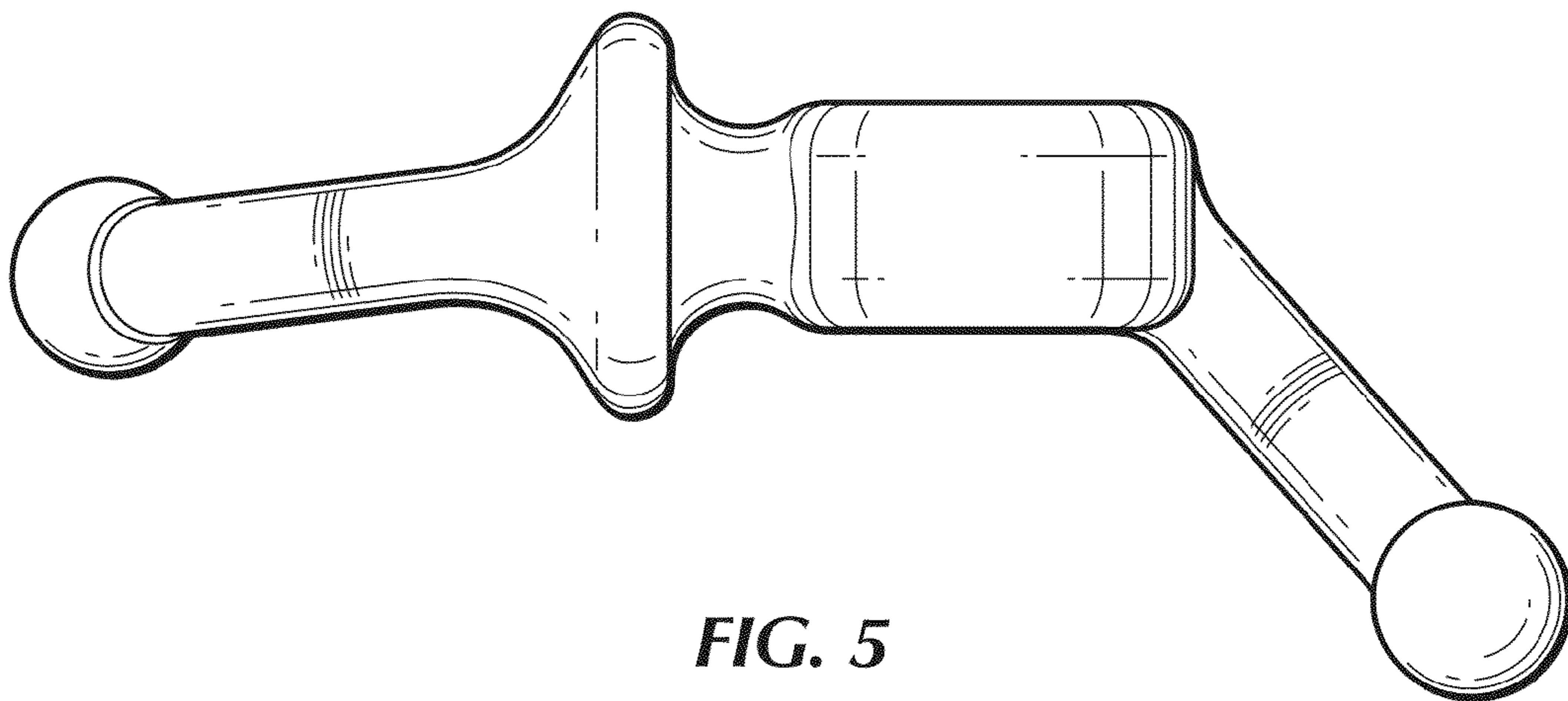
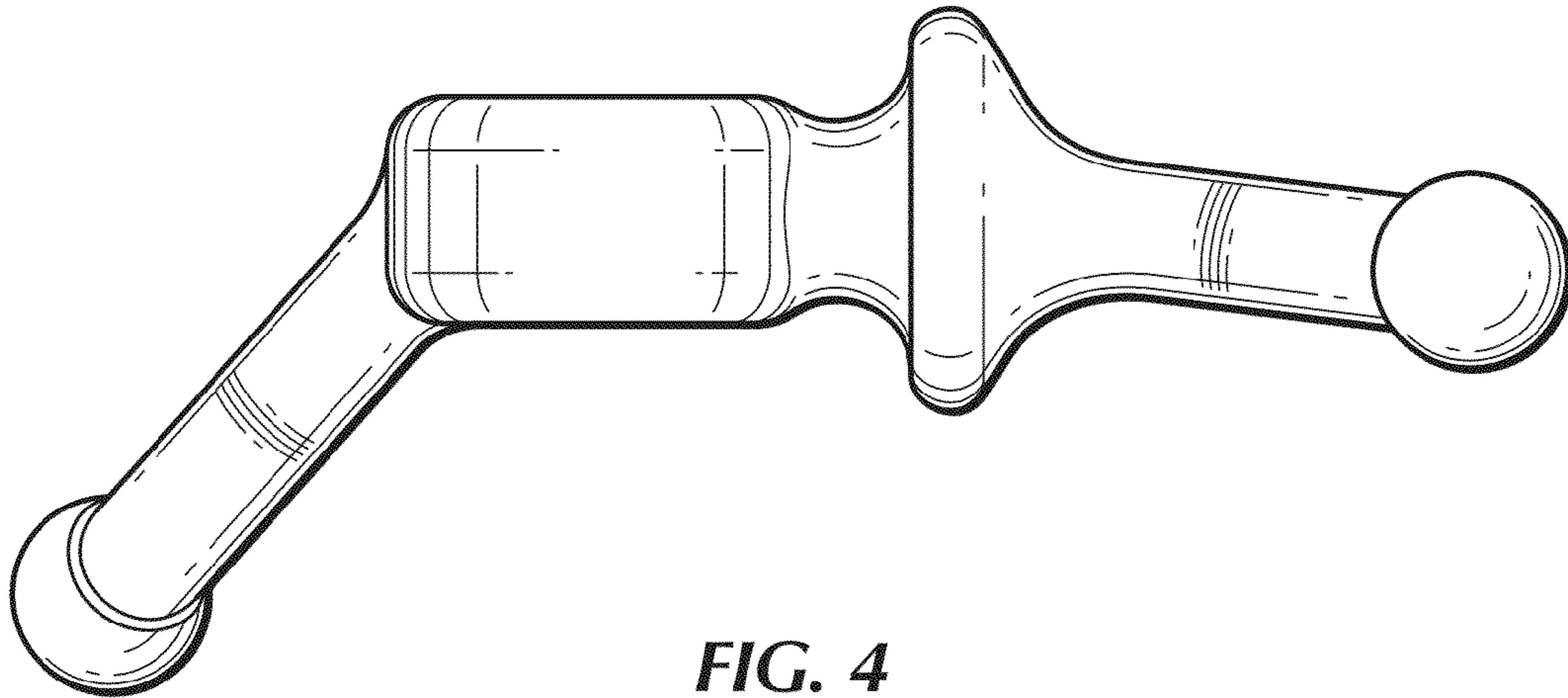


FIG. 3



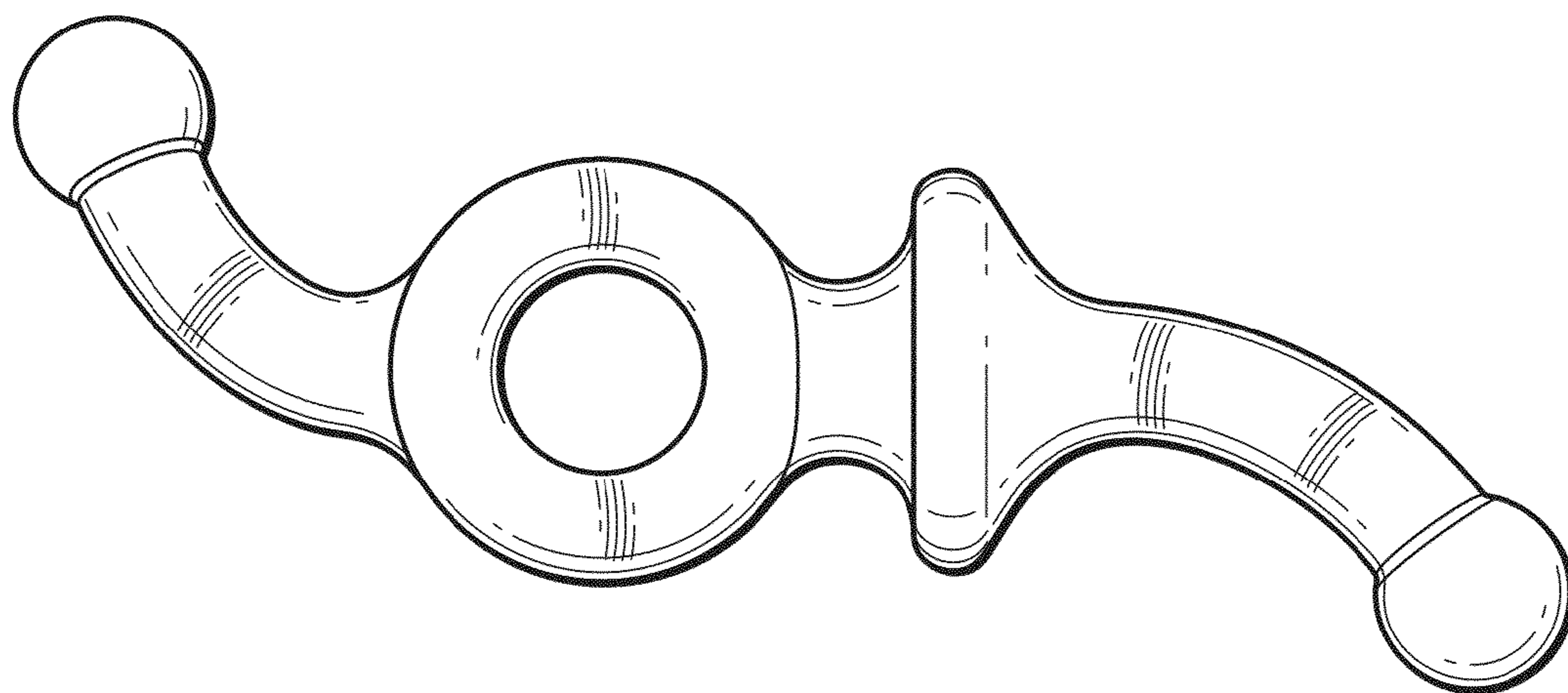


FIG. 6

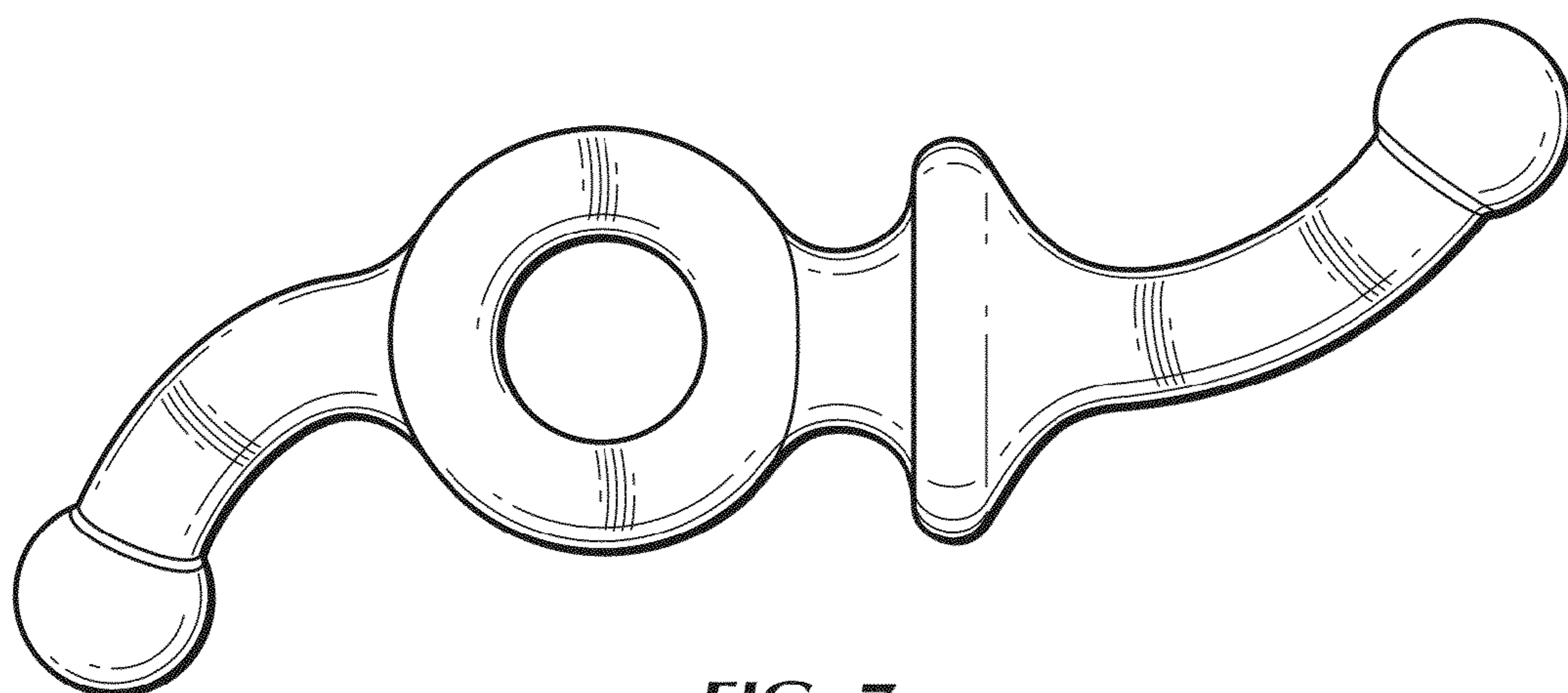


FIG. 7

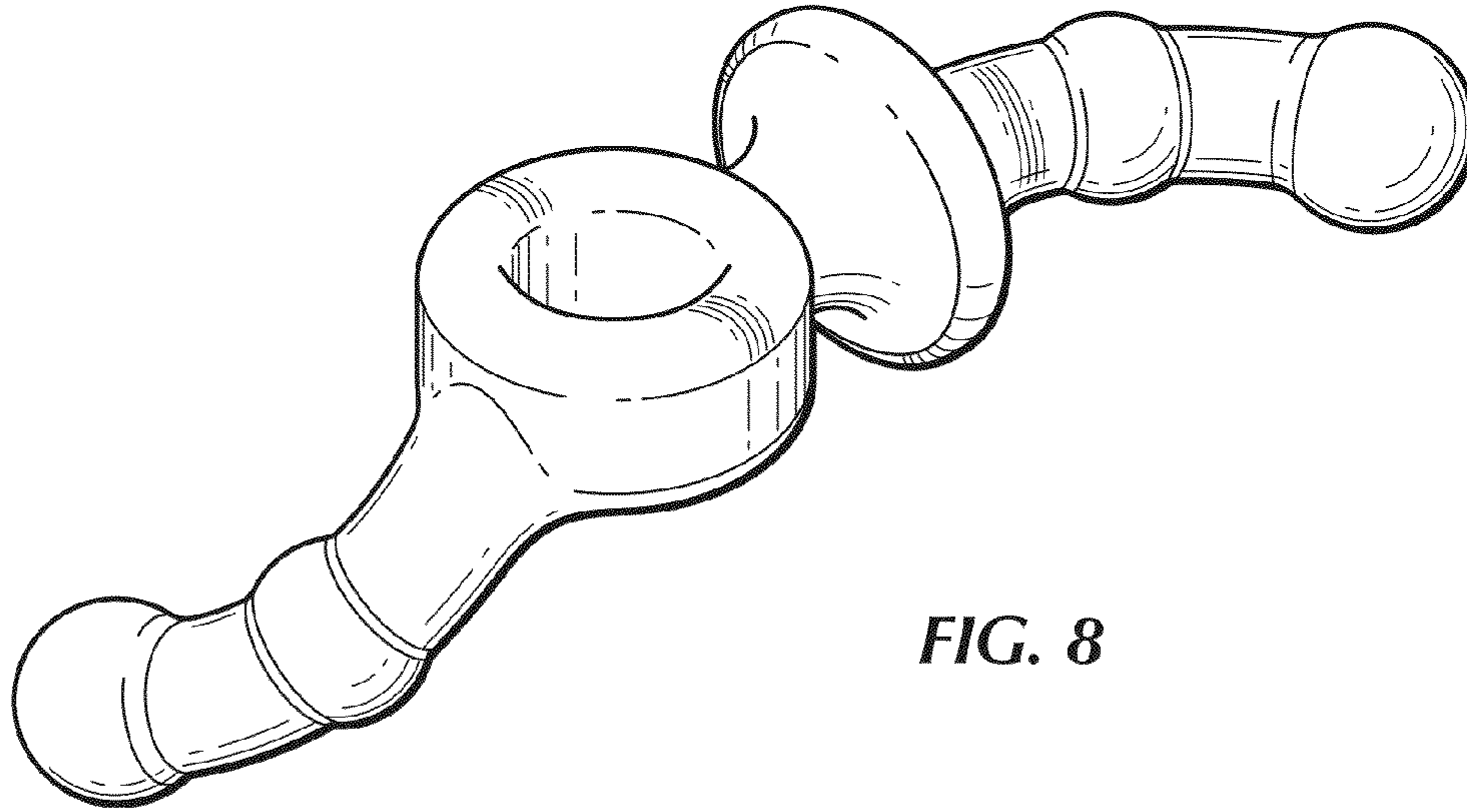


FIG. 8

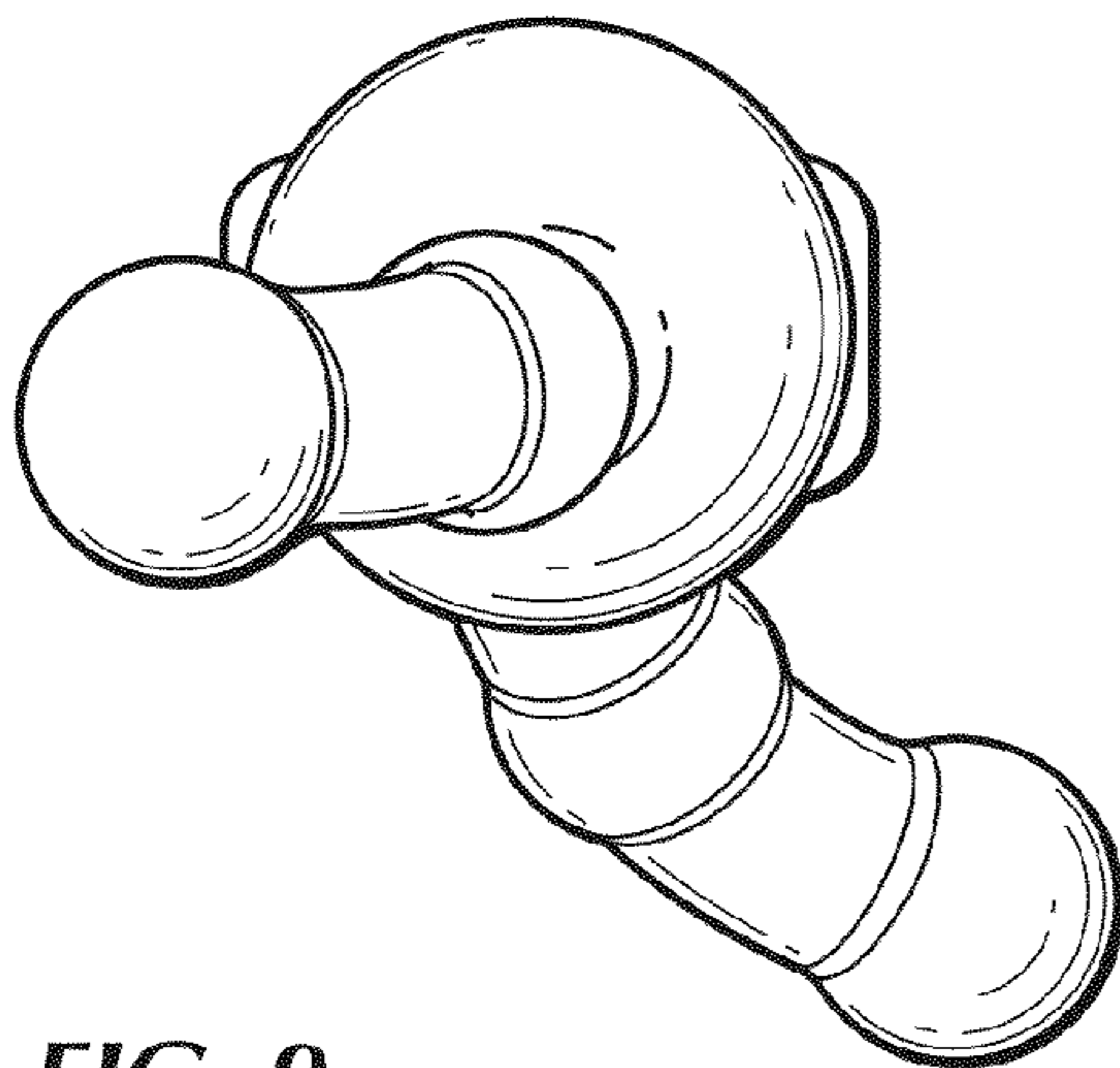


FIG. 9

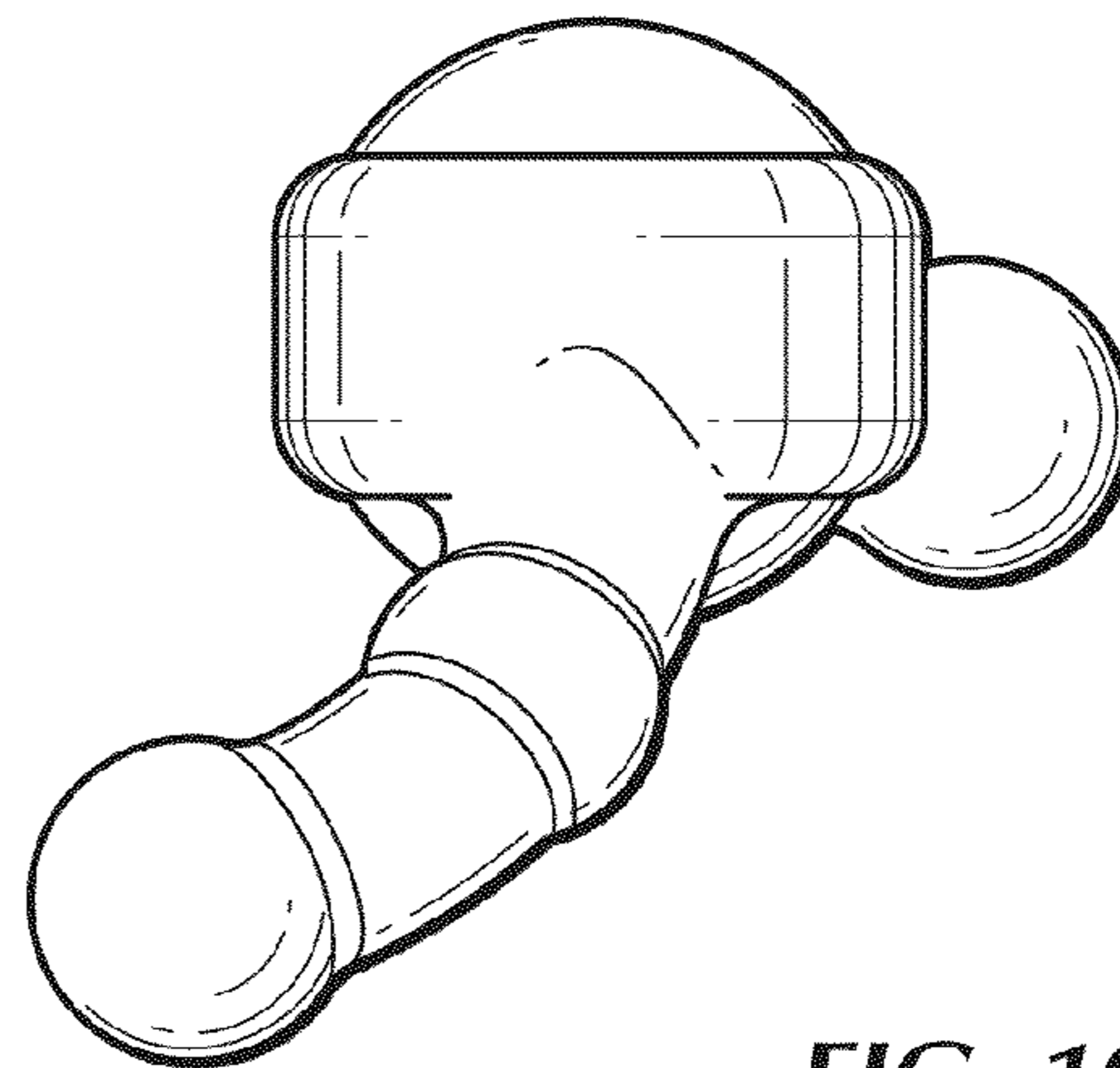


FIG. 10

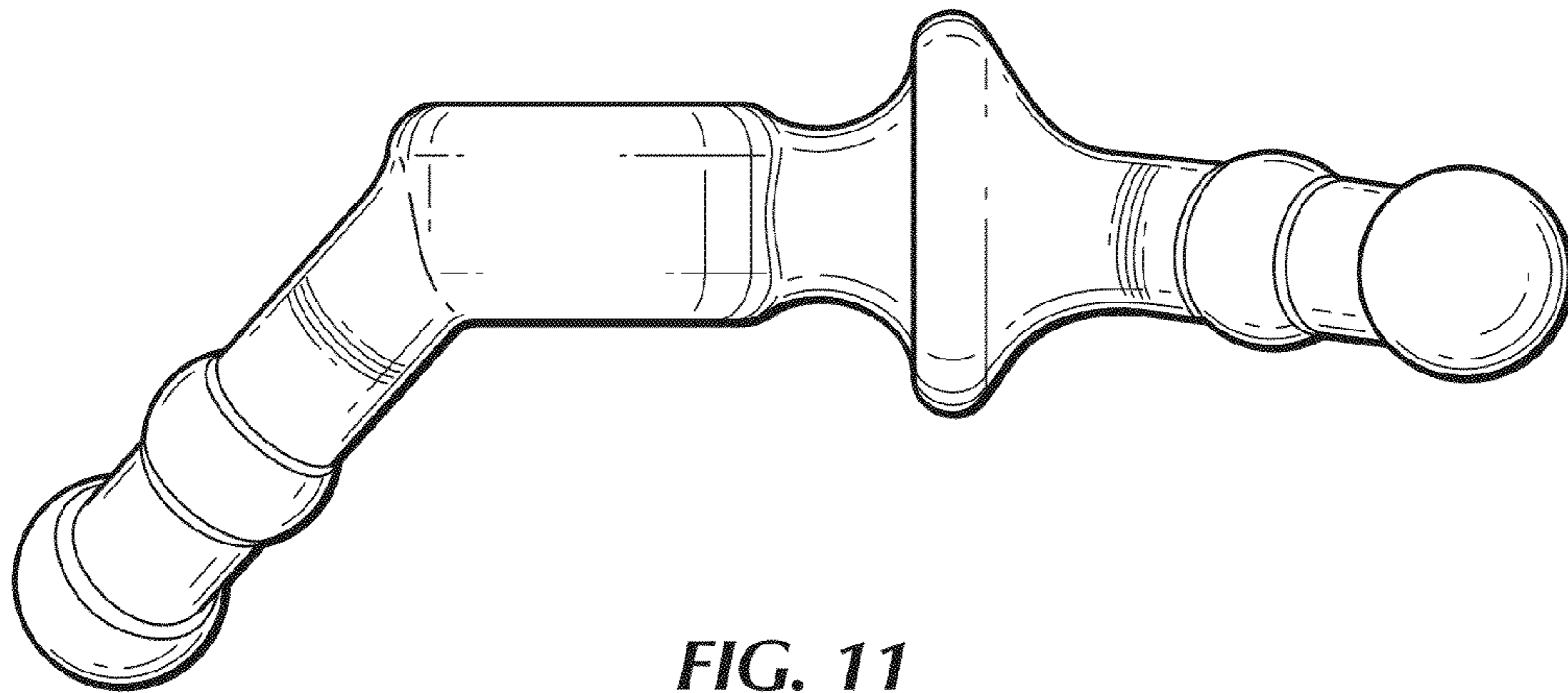


FIG. 11

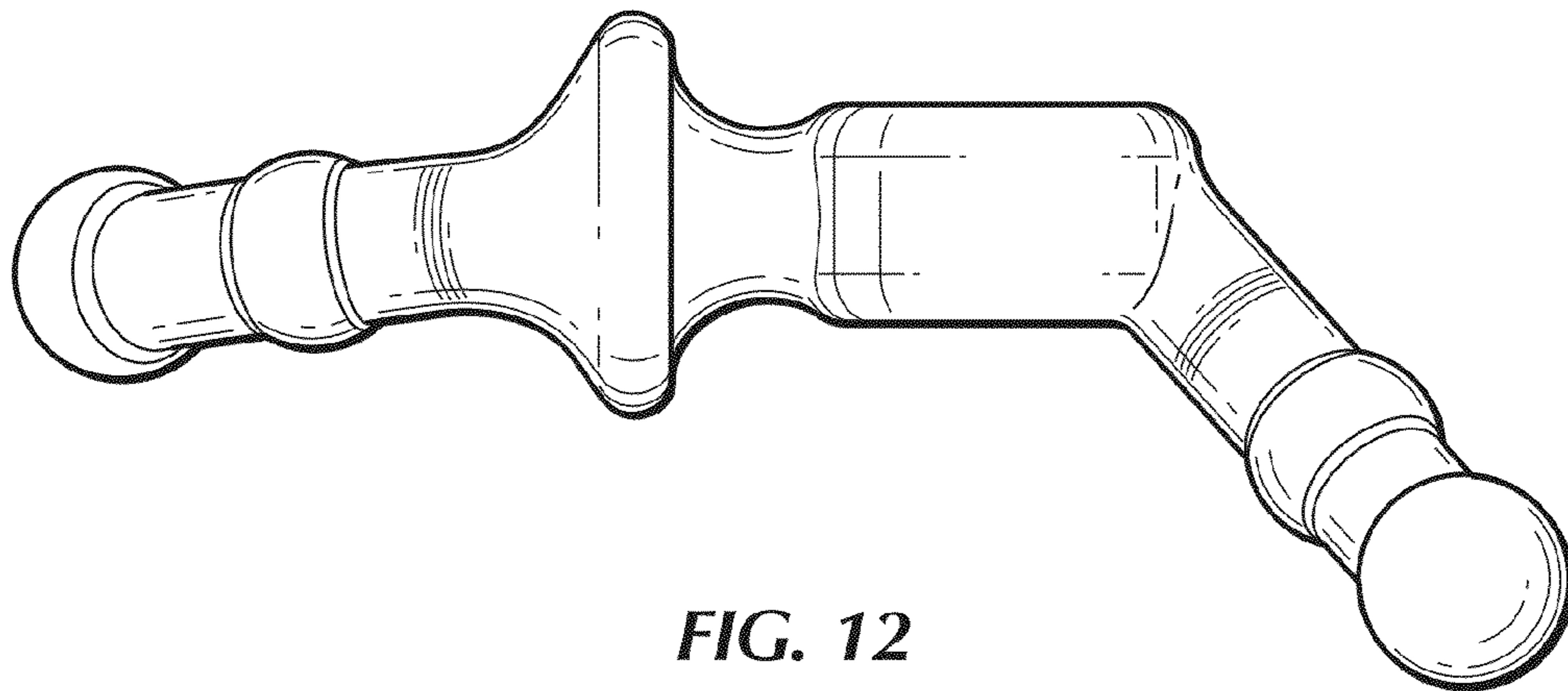


FIG. 12

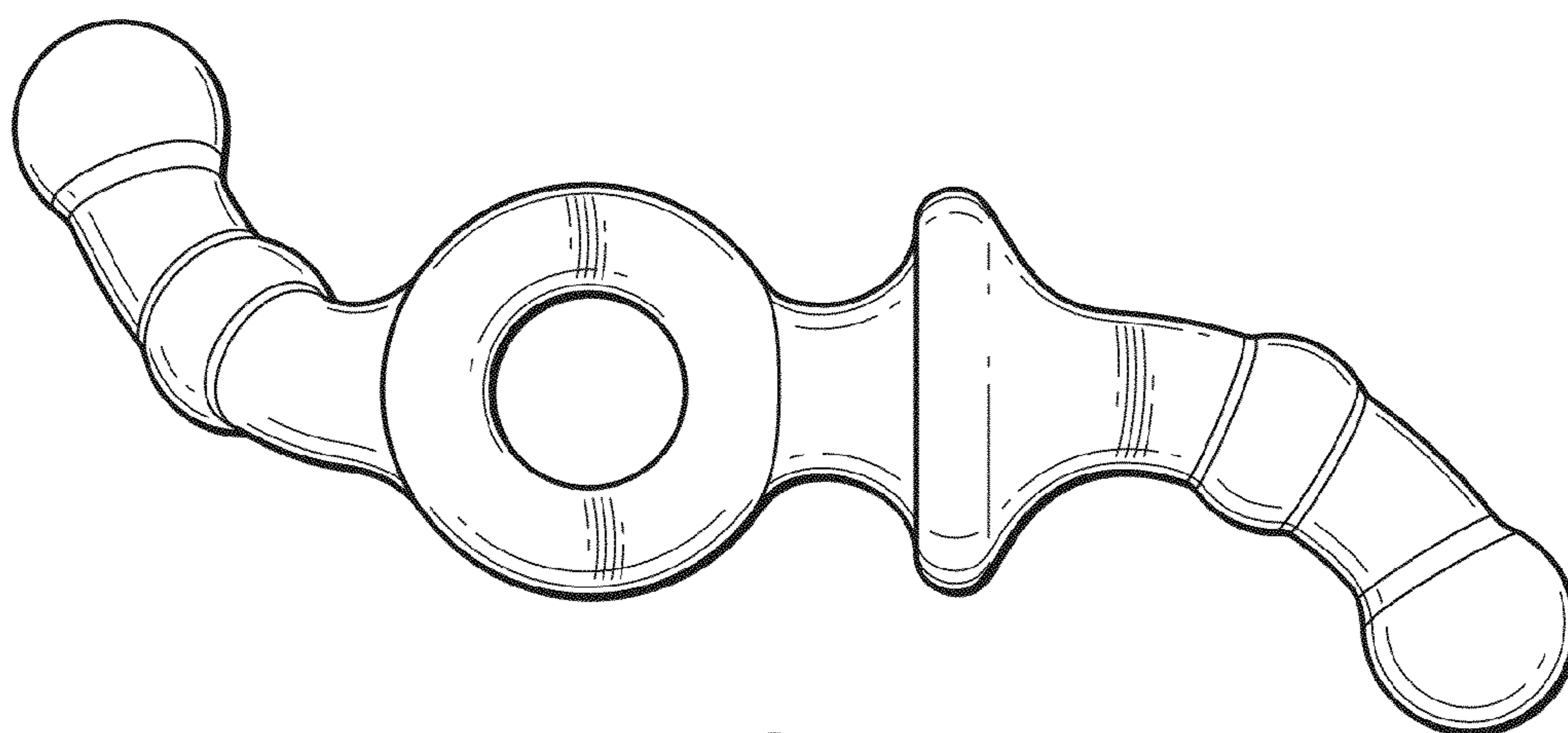


FIG. 13

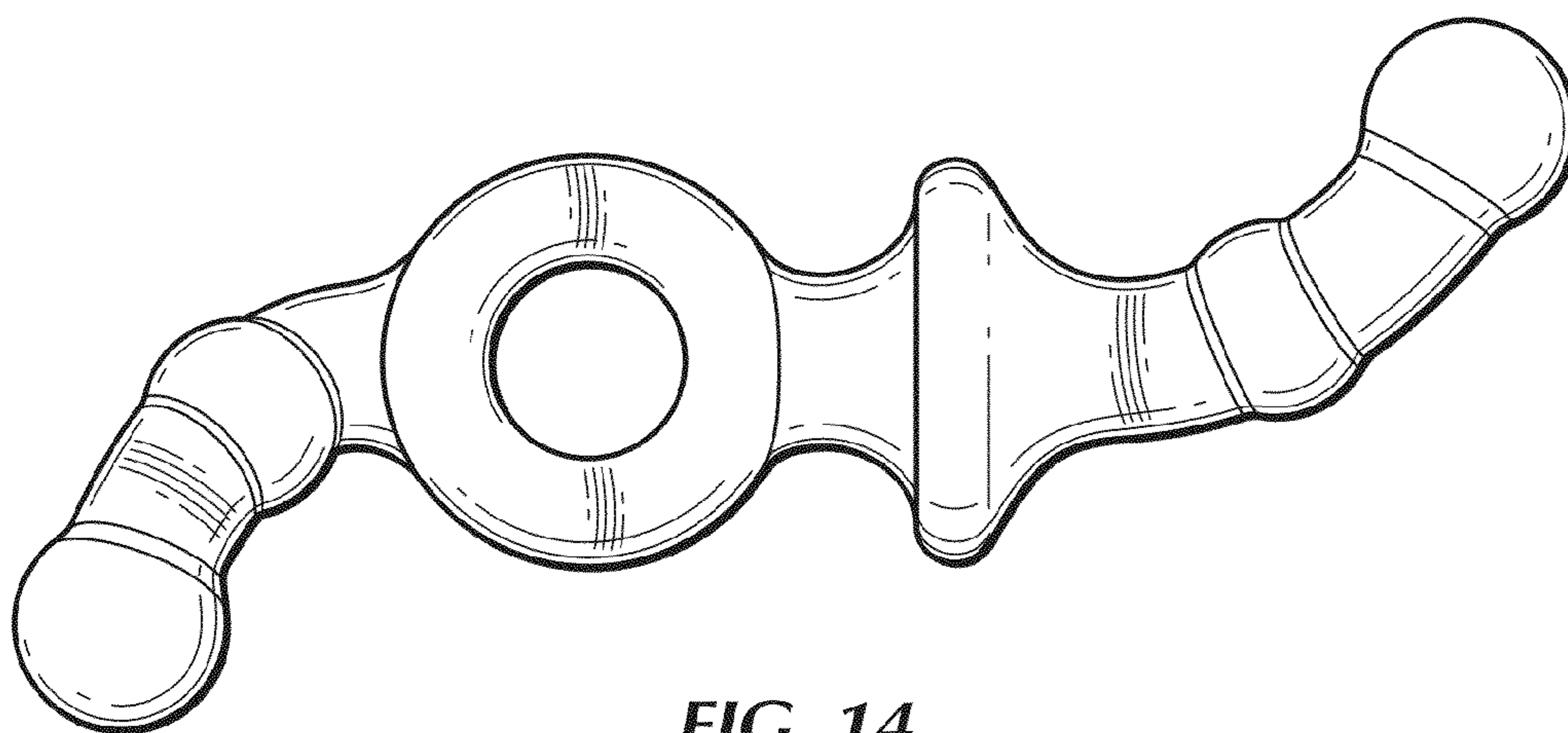


FIG. 14