



US00D702793S

(12) **United States Design Patent**
Burt et al.

(10) **Patent No.:** **US D702,793 S**
(45) **Date of Patent:** **** Apr. 15, 2014**

(54) **FIREARM**

(75) Inventors: **Eric C. Burt**, Boulder, CO (US); **Ethan Lessard**, East Kingston, NH (US)

(73) Assignee: **RA Brands, L.L.C.**, Madison, NC (US)

(**) Term: **14 Years**

(21) Appl. No.: **29/432,127**

(22) Filed: **Sep. 13, 2012**

(51) **LOC (10) Cl.** **22-01**

(52) **U.S. Cl.**
USPC **D22/103**

(58) **Field of Classification Search**
USPC D22/103, 108; 42/1.01–1.07, 2, 10–26,
42/34, 36, 37, DIG. 1; 89/40.06, 41.19,
89/37.04, 33.04, 191.01, 200–204;
D21/572–575; 124/67, 66, 72, 74
See application file for complete search history.

(56) **References Cited**

U.S. PATENT DOCUMENTS

2,424,194 A 7/1947 Sampson et al.
2,466,017 A 4/1949 Farber

(Continued)

FOREIGN PATENT DOCUMENTS

CA 117291 3/1909
DE 1225517 9/1966
DE 102005054917 5/2007

OTHER PUBLICATIONS

<http://everything-airsoft.com/blog/2009/06/08/airsoft-globals-releases-custom-magpul-m4-casv/>.*

(Continued)

Primary Examiner — Michael A Pratt

(74) *Attorney, Agent, or Firm* — Womble Carlyle Sandridge & Rice, LLP

(57) **CLAIM**

The ornamental design for a firearm, as shown and described.

DESCRIPTION

FIG. 1 is a front perspective view of a firearm in accordance with the present invention;

FIG. 2 is a rear perspective view of the firearm of FIG. 1;

FIG. 3 is a right elevation view of the firearm of FIG. 1;

FIG. 4 is a left elevation view of the firearm of FIG. 1;

FIG. 5 is a top plan view of the firearm of FIG. 1;

FIG. 6 is a bottom plan view of the firearm of FIG. 1;

FIG. 7 is a front elevation view of the firearm of FIG. 1; and

FIG. 8 is a rear elevation view of the firearm of FIG. 1.

FIG. 9 is a front perspective view of a firearm in accordance with a second embodiment of the present invention;

FIG. 10 is a rear perspective view of the firearm of FIG. 9;

FIG. 11 is a right elevation view of the firearm of FIG. 9;

FIG. 12 is a left elevation view of the firearm of FIG. 9;

FIG. 13 is a top plan view of the firearm of FIG. 9;

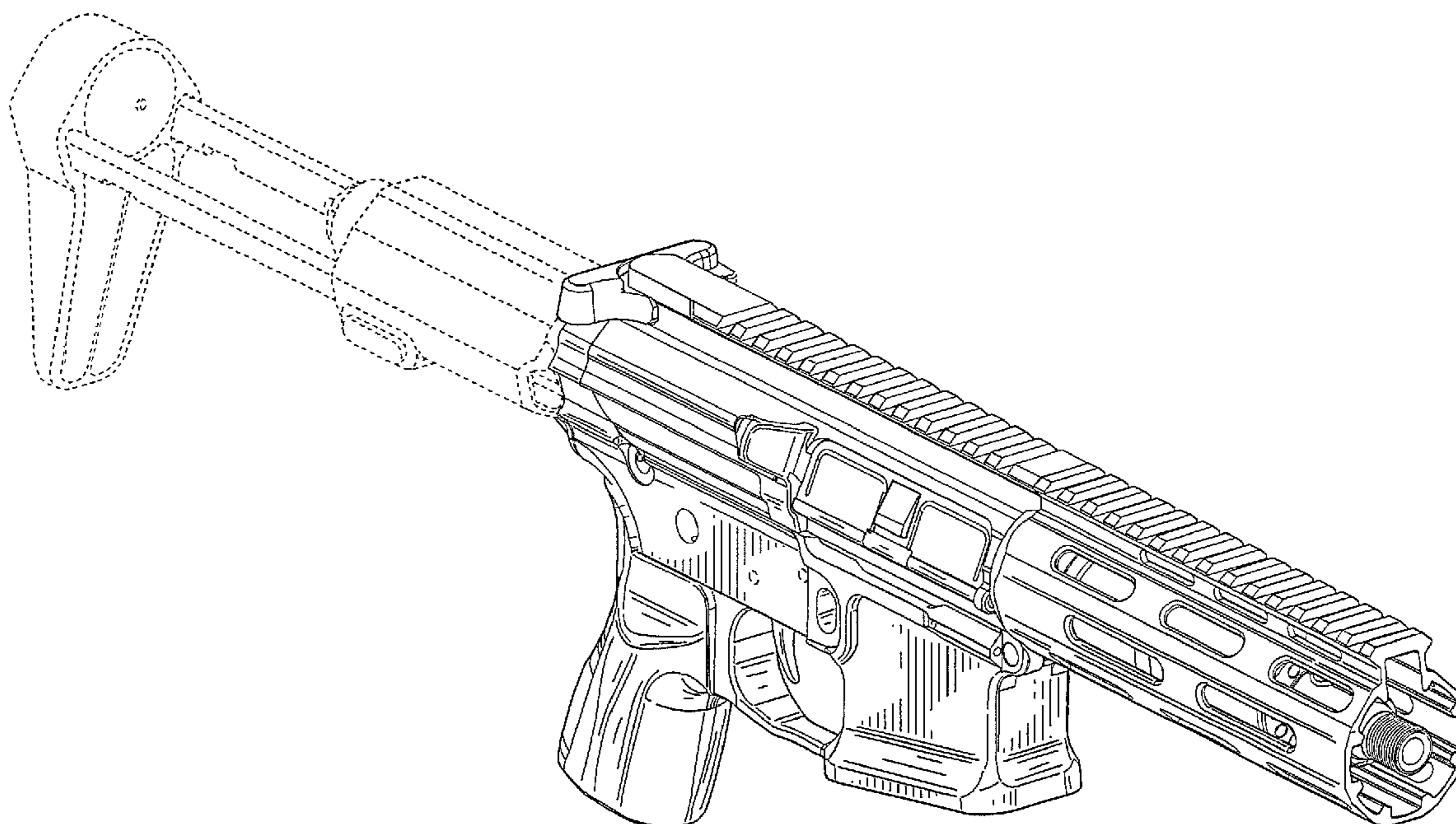
FIG. 14 is a bottom plan view of the firearm of FIG. 9;

FIG. 15 is a front elevation view of the firearm of FIG. 9; and,

FIG. 16 is a rear elevation view of the firearm of FIG. 9.

The broken lines shown herein are for illustrative purposes and form no part of the claimed design.

1 Claim, 12 Drawing Sheets



(56)

References Cited

U.S. PATENT DOCUMENTS

3,827,172 A 8/1974 Howe
 4,383,384 A 5/1983 Fox
 5,826,363 A 10/1998 Olson
 6,490,822 B1 12/2002 Swan
 6,564,492 B2 5/2003 Weldle et al.
 6,694,660 B1 2/2004 Davies
 6,839,998 B1 1/2005 Armstrong
 D537,901 S 3/2007 Elkaim
 D606,614 S 12/2009 Fitzpatrick et al.
 7,716,865 B2 5/2010 Daniel et al.
 7,770,317 B1 8/2010 Tankersley
 D637,678 S * 5/2011 Larson et al. D22/103
 D641,825 S 7/2011 Gridelet
 7,975,595 B2 7/2011 Robinson et al.
 8,061,072 B1 11/2011 Crose
 D653,300 S * 1/2012 Emde D22/103
 8,141,285 B2 3/2012 Brown
 8,191,300 B2 6/2012 Daniel
 8,276,304 B2 10/2012 Samson et al.
 8,336,243 B2 12/2012 Langevin et al.
 D676,921 S * 2/2013 Fitzpatrick et al. D22/108
 D680,611 S * 4/2013 Emde et al. D22/103
 D688,768 S * 8/2013 Fitzpatrick et al. D22/108

D689,160 S * 9/2013 Emde D22/108
 2009/0100734 A1 4/2009 Swan et al.
 2012/0180354 A1 7/2012 Sullivan et al.
 2012/0186123 A1 7/2012 Troy et al.
 2013/0047832 A1 2/2013 Hochstrate et al.
 2013/0180150 A1 * 7/2013 Dueck 42/90

OTHER PUBLICATIONS

Color Image; Firearm carbine ACR 8 ss; 1 page; Mar. 8, 2013;
http://homefront.wikia.com/wiki/File:Firearm_carbine_ACR_8_ss.jpg.
 Barry, Max; NationStates; Awac States Log; 12 pages; Mar. 8, 2013;
<http://forum.nationstates.net/viewtopic.php?f=23&t=72464&start=0>.
 Zimba, Jeff W.; Another Tactical Upgrade from MGI Military: The QCB Upper Receiver for the AR-15/M16/M4; The Small Arms Review, vol. 8 No. 3; pp. 37-40; Dec. 2004.
 Lewis, Jack & Steele, David E.; The Gun Digest Book of Assault Weapons, (5th ed. 2000); Krause Publications; Iola, Wisconsin; pp. 68-69, 125.
 Invitation to Pay Additional Fees and, Where Applicable, Protest Fee (Partial International Search Report) dated Nov. 15, 2013 for International Application No. PCT/US2013/055710.

* cited by examiner

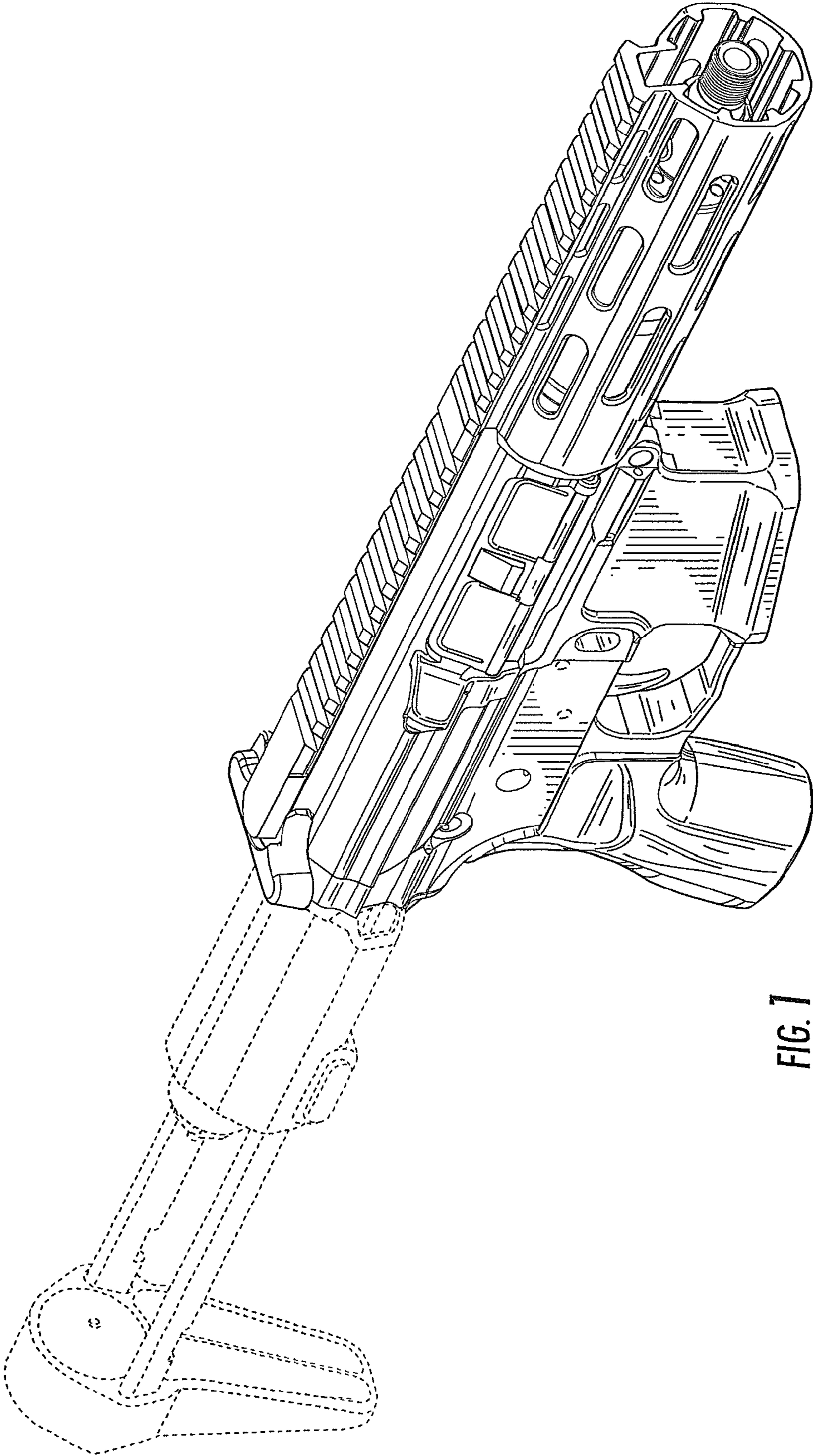


FIG. 1

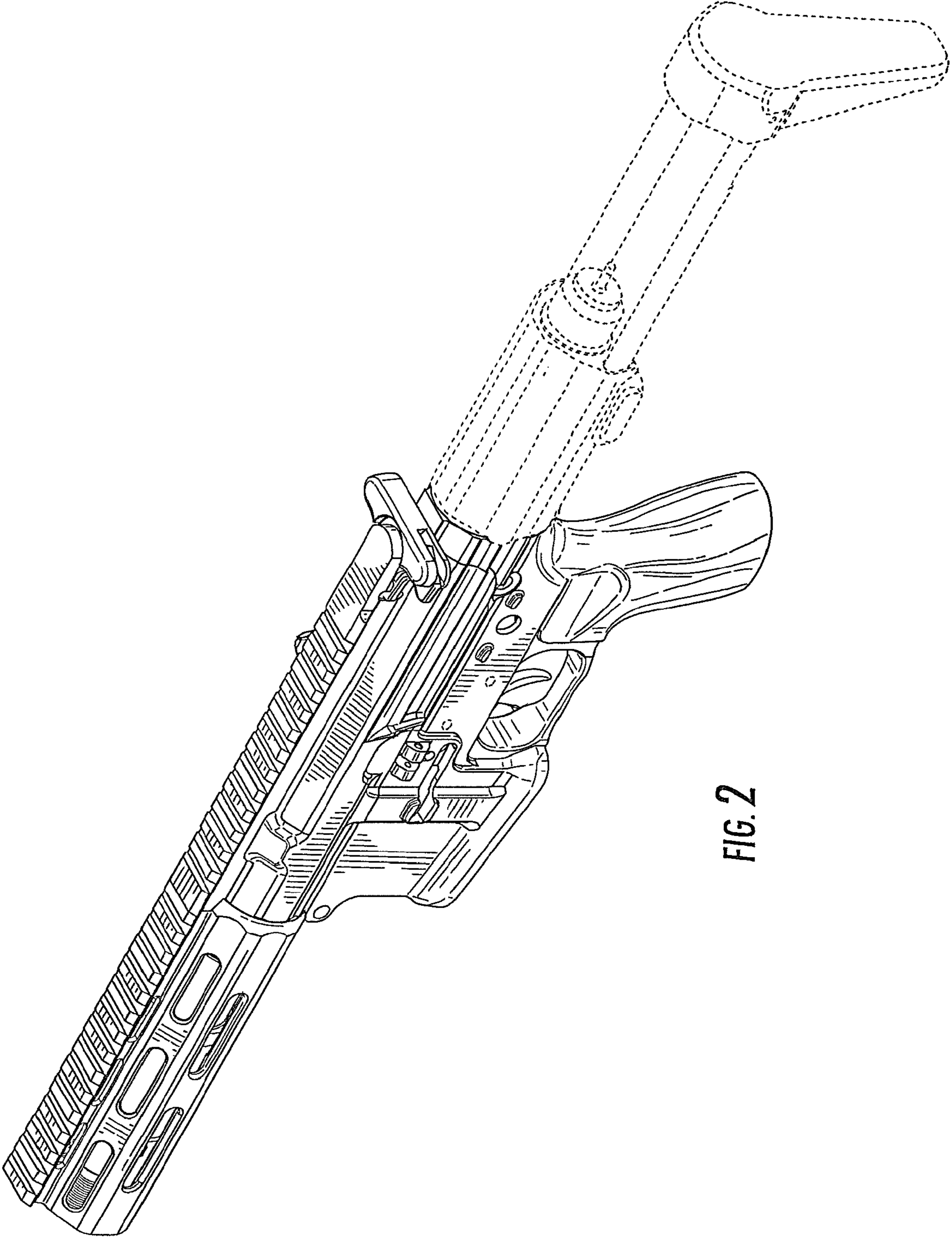


FIG. 2

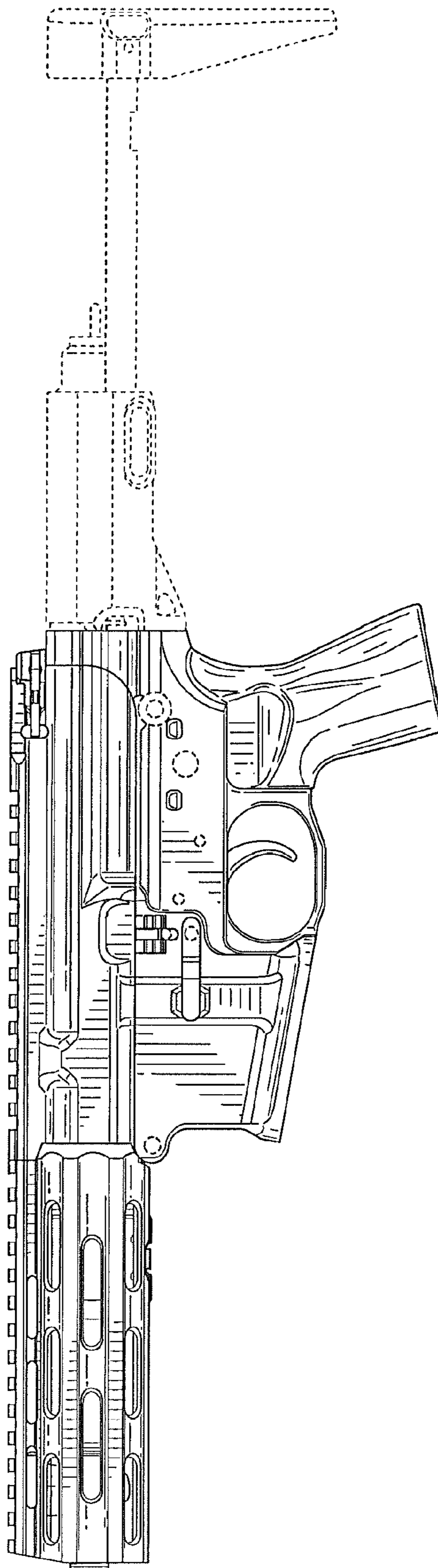


FIG. 3

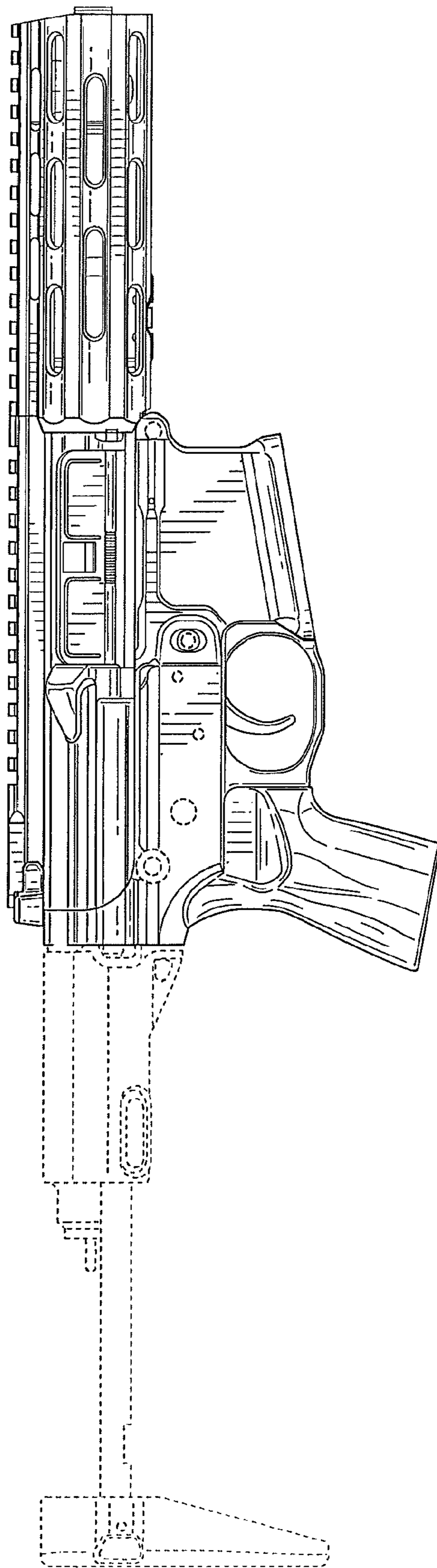


FIG. 4

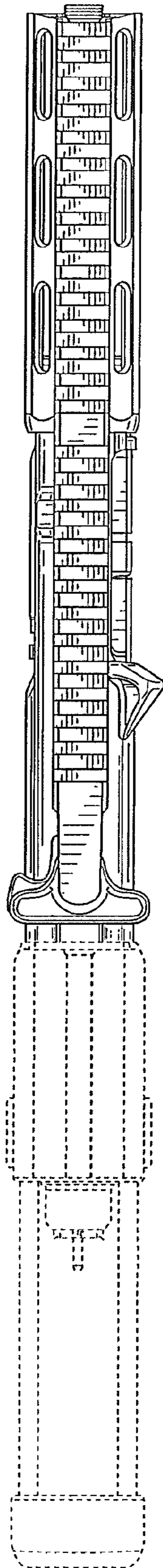


FIG. 5

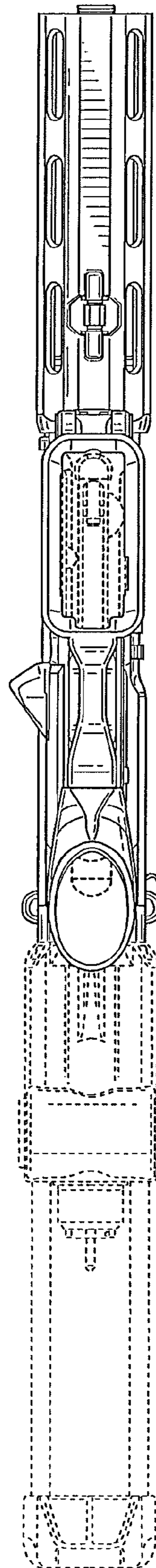


FIG. 6

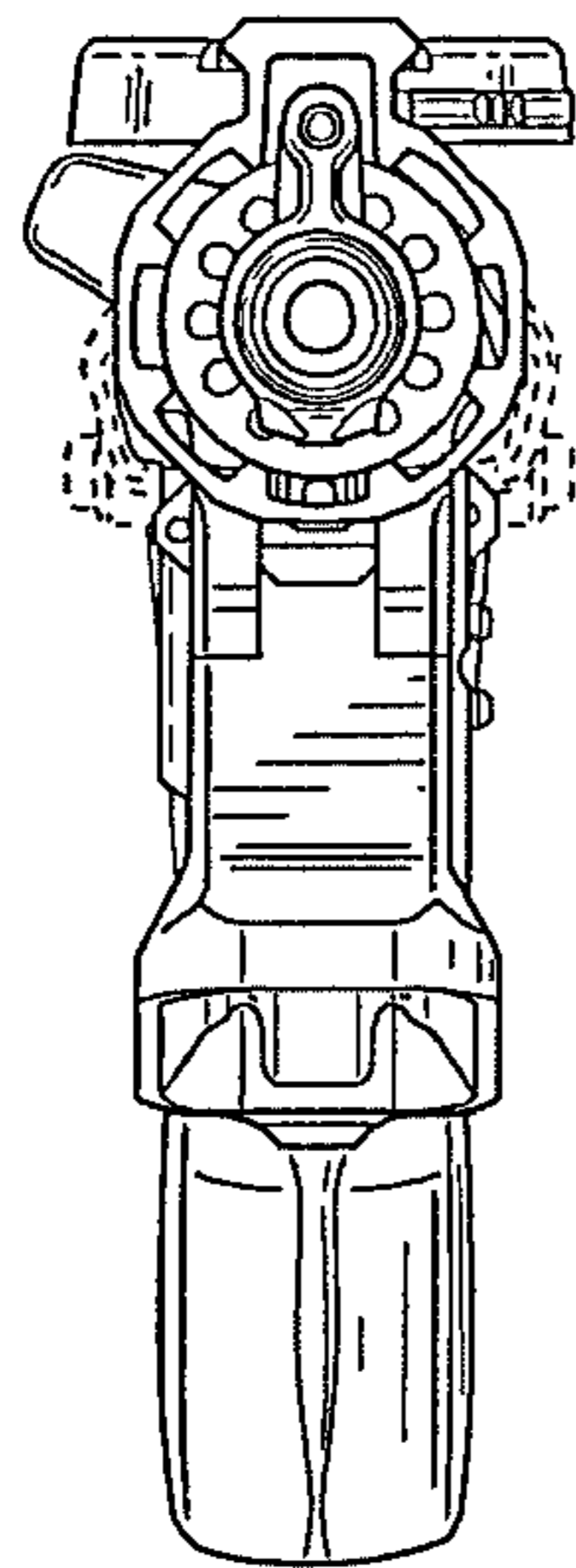


FIG. 7

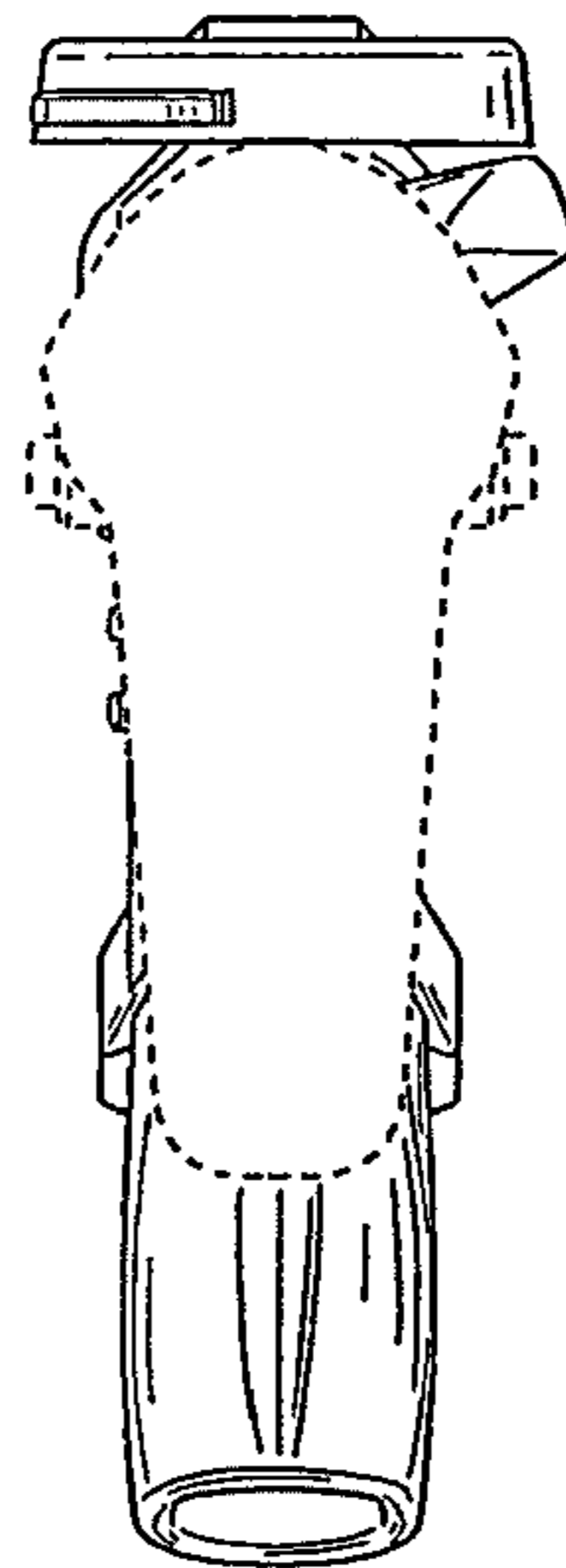


FIG. 8

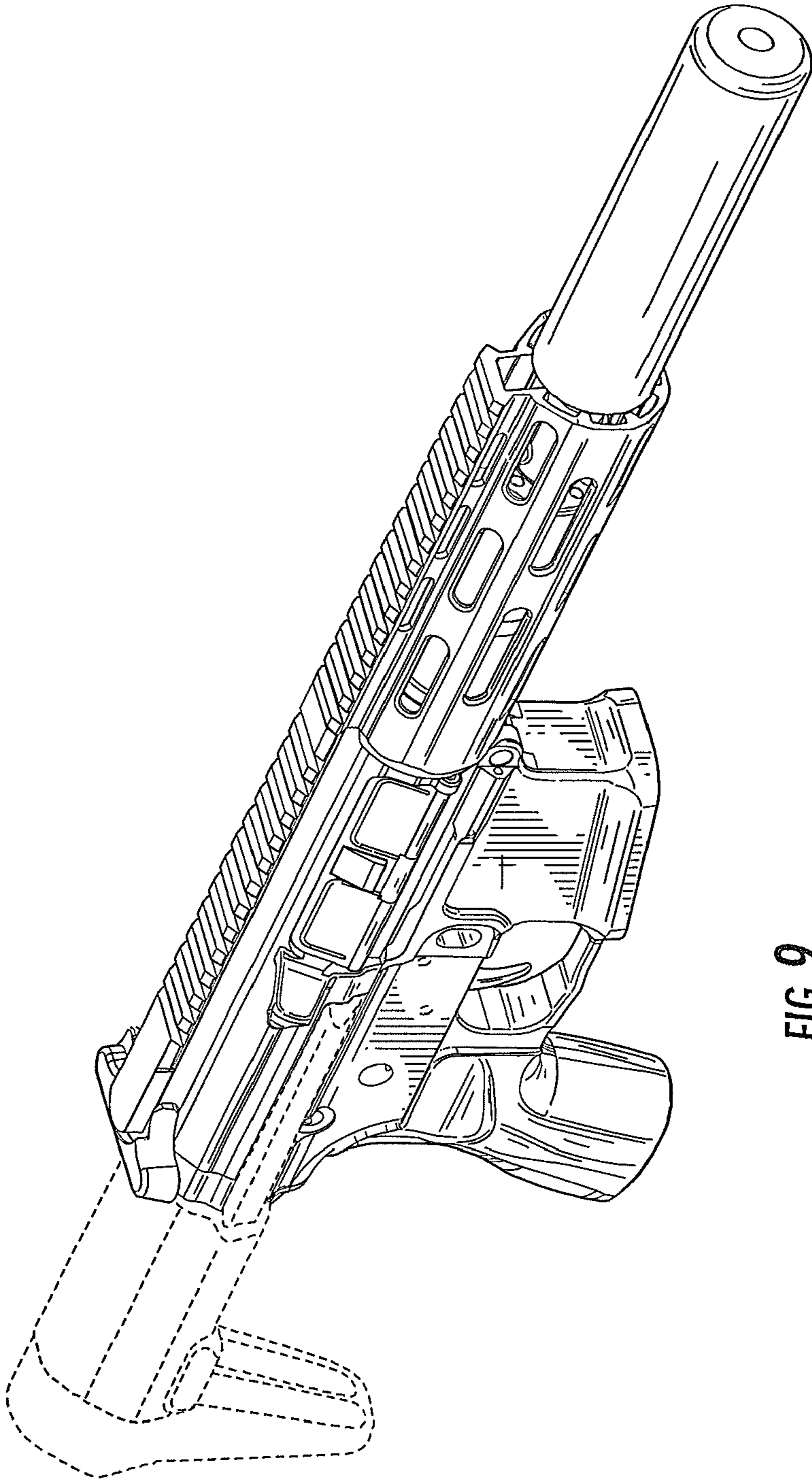


FIG. 9

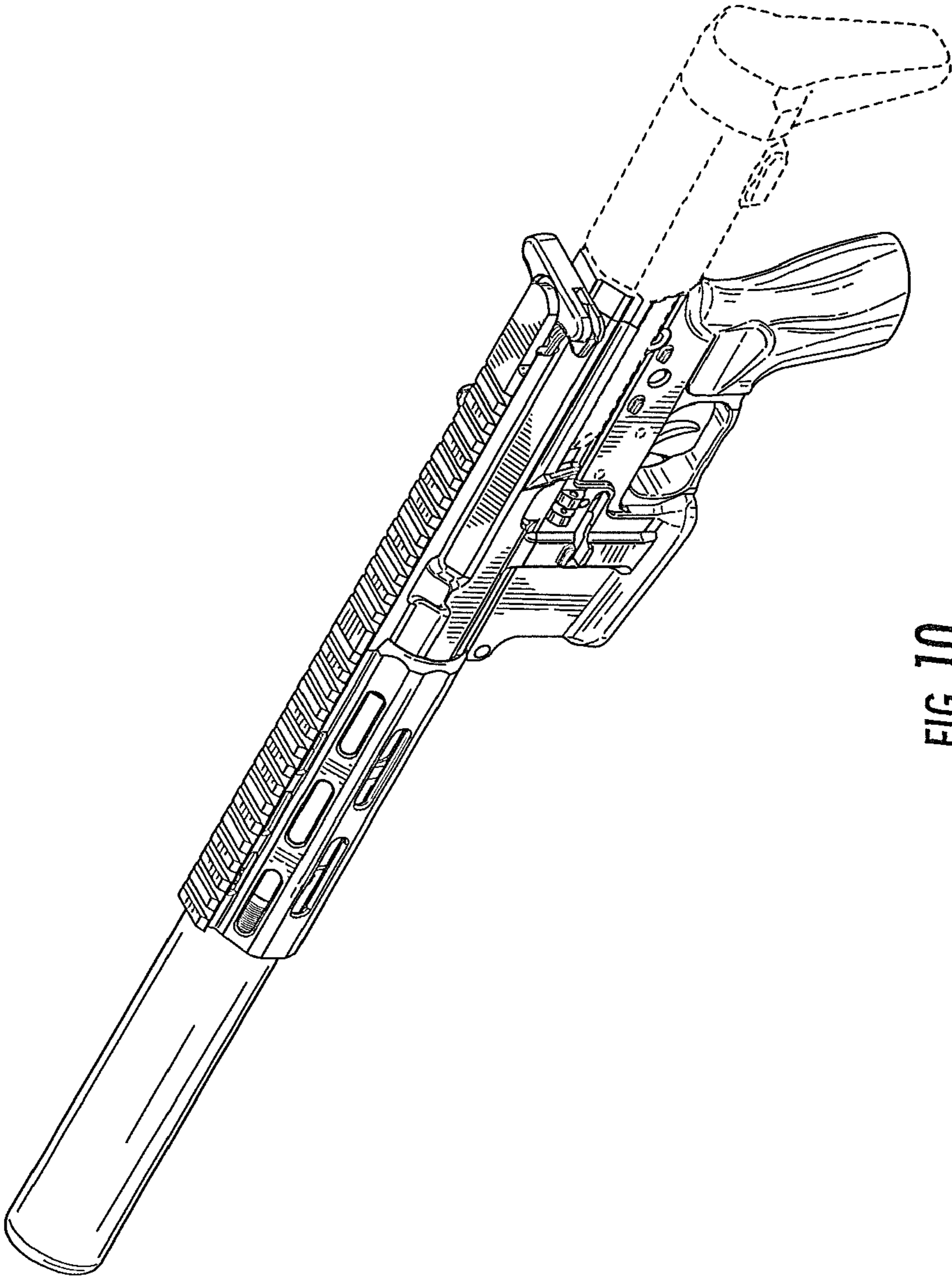


FIG. 10

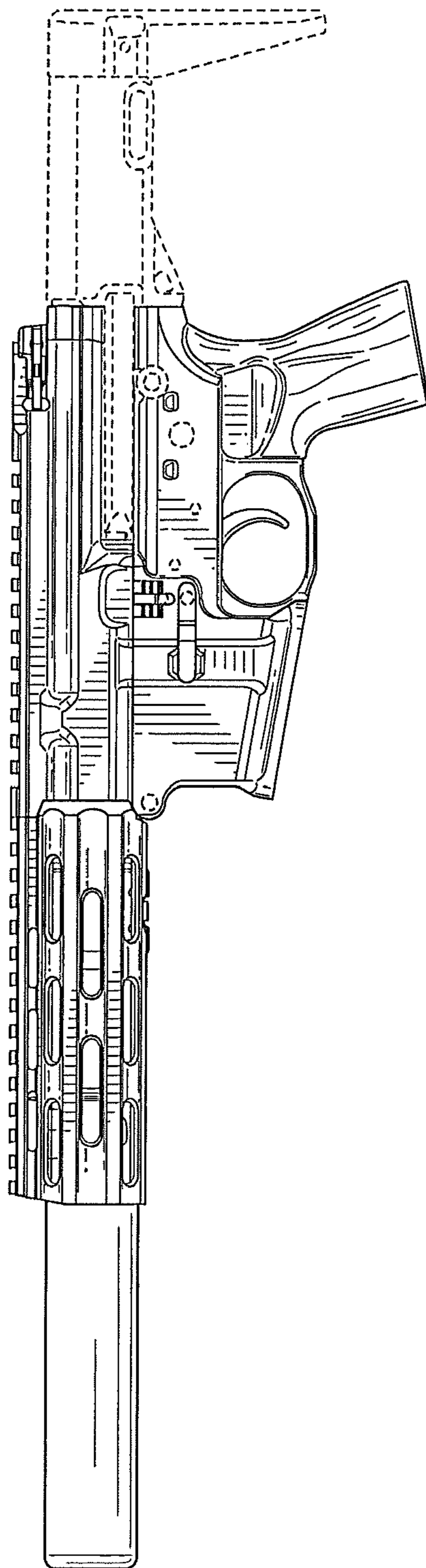


FIG. 11

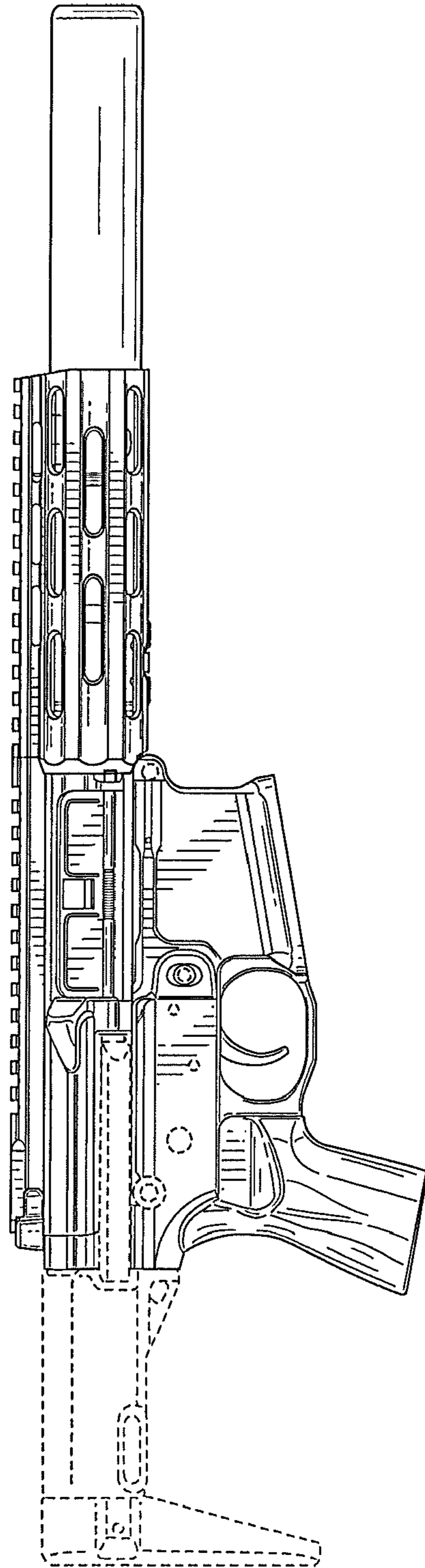


FIG. 12

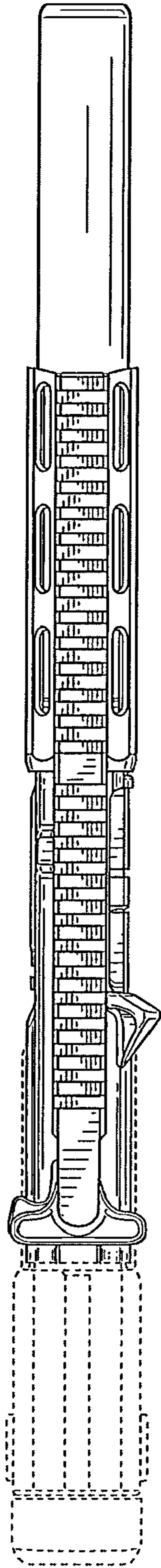


FIG. 13

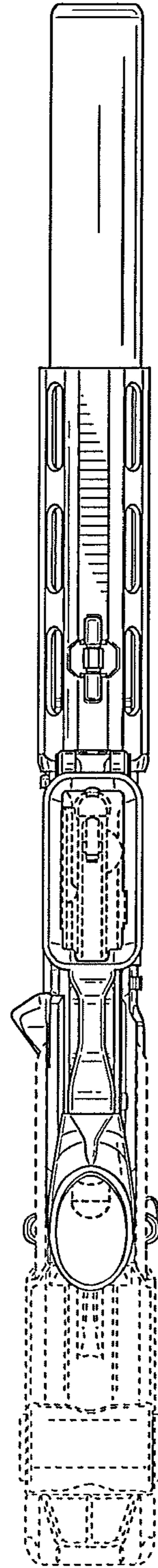


FIG. 14

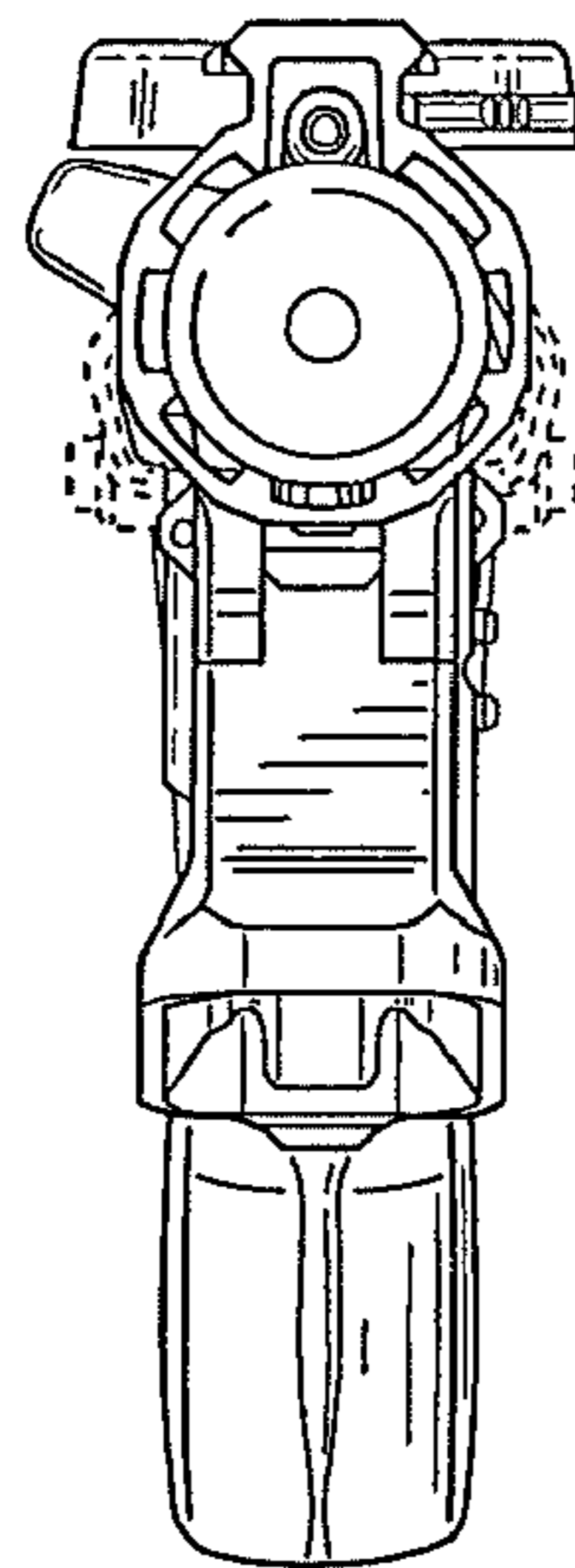


FIG. 15

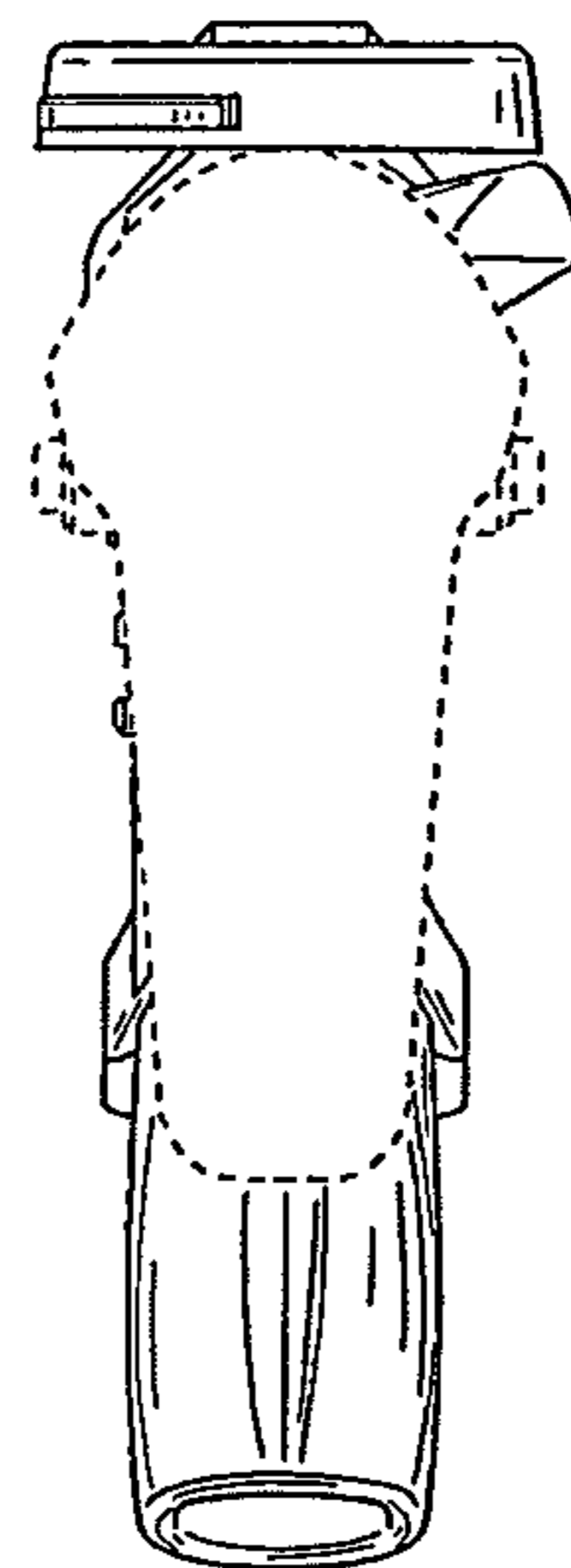


FIG. 16