



US00D702789S

(12) **United States Design Patent**
Berenson et al.

(10) **Patent No.:** **US D702,789 S**
(45) **Date of Patent:** **** Apr. 15, 2014**

(54) **RECREATIONAL FLOTATION DEVICE**

(71) Applicant: **Aqua-Leisure Industries, Inc.**, Avon, MA (US)

(72) Inventors: **Steven M. Berenson**, Canton, MA (US);
Jeffrey J. LeBlanc, East Greenwich, RI (US)

(73) Assignee: **Aqua-Leisure Industries, Inc.**, Avon, MA (US)

(**) Term: **14 Years**

(21) Appl. No.: **29/457,144**

(22) Filed: **Jun. 7, 2013**

(51) **LOC (10) Cl.** **21-06**

(52) **U.S. Cl.**
USPC **D21/803**

(58) **Field of Classification Search**
USPC D21/769–770, 801, 803, 809; 114/253,
114/345–346; 441/35, 66, 74, 40–42,
441/129–132; 472/128–129; D12/5, 6, 316;
D6/392, 595, 596, 601, 604, 605
See application file for complete search history.

(56) **References Cited**

U.S. PATENT DOCUMENTS

1,960,474 A	5/1934	Browne
2,207,025 A	9/1938	Rison
D187,313 S	2/1960	Denyer
3,602,930 A	9/1971	Channon
D225,183 S	11/1972	Waters
3,871,042 A	3/1975	Farmer
D293,012 S	12/1987	Storey et al.
5,046,978 A	9/1991	Howerton
D328,324 S	7/1992	Wang
5,186,667 A	2/1993	Wang
5,476,404 A	12/1995	Price
5,520,561 A	5/1996	Langenohl

D371,252 S	7/1996	Chaput
D373,483 S	9/1996	Peterson
D398,694 S	9/1998	Boddy
D404,104 S	1/1999	Scheurer et al.
D406,870 S	3/1999	Bauman
D424,313 S	5/2000	Linder
D426,714 S	6/2000	Linder
6,086,150 A	7/2000	Scheurer et al.
6,161,902 A	12/2000	Lieberman
6,224,444 B1	5/2001	Klimenko
6,276,979 B1	8/2001	Saltel et al.
6,312,054 B1	11/2001	Scheurer et al.
D466,176 S	11/2002	Peterson
6,485,344 B2	11/2002	Arias

(Continued)

OTHER PUBLICATIONS

King Kool Lounge, Intex 1994 Catalog, p. 30.

(Continued)

Primary Examiner — Zenia Bennett

(74) *Attorney, Agent, or Firm* — Lando & Anastasi, LLP

(57) **CLAIM**

The ornamental design for a recreational flotation device, as shown and described.

DESCRIPTION

FIG. 1 is a perspective view of a recreational flotation device in accordance with our new design.

FIG. 2 is a top plan view of the recreational flotation device of FIG. 1.

FIG. 3 is a bottom plan view thereof.

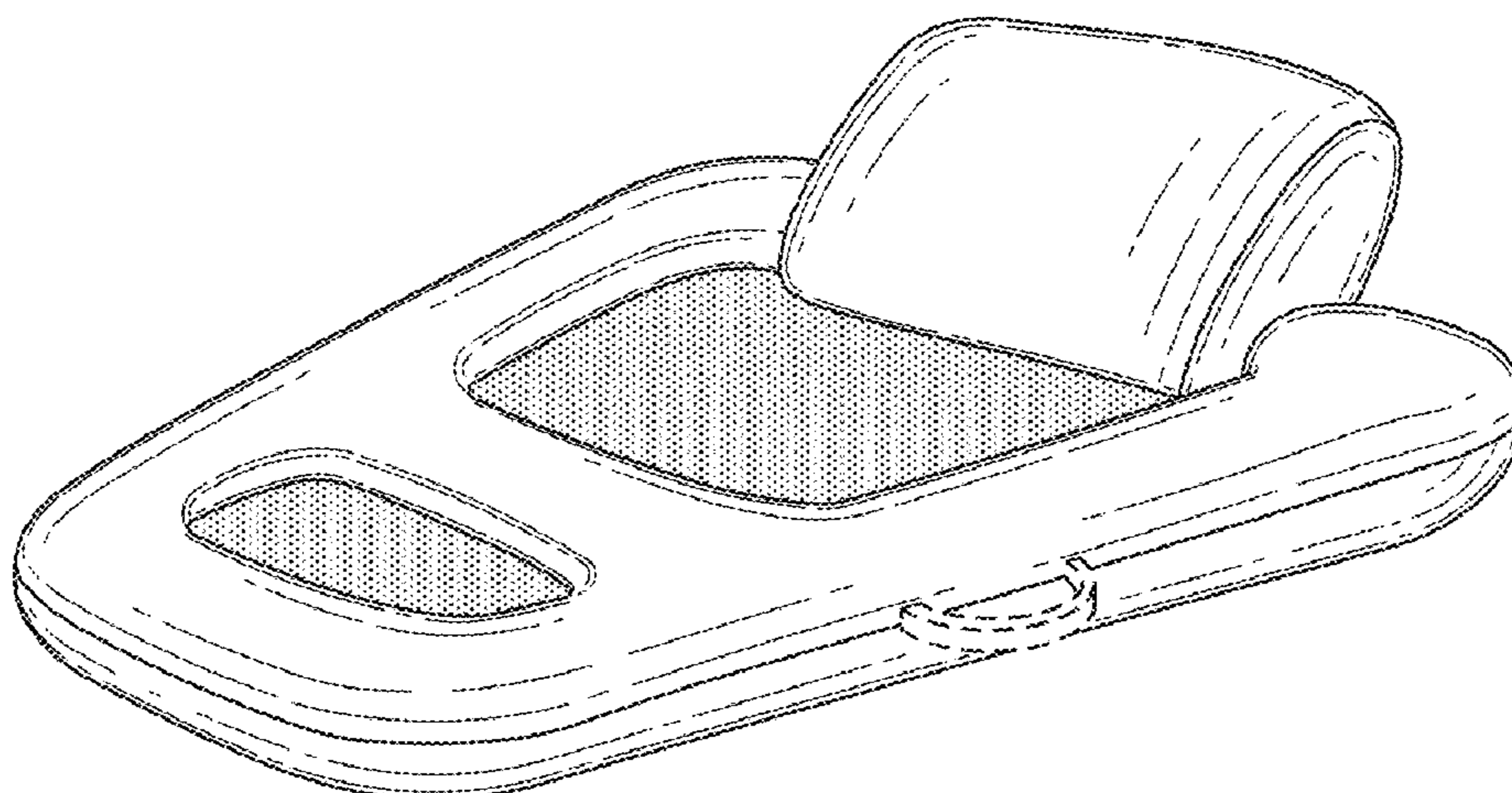
FIG. 4 is a front elevational view.

FIG. 5 is a right-side elevational view. The left-side elevational view is a mirror-image thereof; and,

FIG. 6 is a rear elevational view.

The broken lines shown in the drawing are for illustrative purposes only and form no part of the claimed design.

1 Claim, 2 Drawing Sheets



(56)

References Cited

U.S. PATENT DOCUMENTS

D469,494 S	1/2003	Arias	
6,527,343 B2	3/2003	Scheurer et al.	
D544,061 S *	6/2007	Kuchler	D21/803
D571,429 S *	6/2008	Roberts	D21/809
D610,216 S	2/2010	Le Gette et al.	
D642,232 S	7/2011	Le Gette et al.	
8,066,540 B2	11/2011	Le Gette et al.	
2002/0049017 A1	4/2002	Ross	

OTHER PUBLICATIONS

Ultimate Pool Lounge, Aqua-Leisure 1993 Catalog, p. 13.
 Designer Fashion #43028, Bestway 2003 Catalog, p. 51.
 Kool Lounge #43011, Bestway 2003 Catalog, p. 51.
 King Kool Lounge #43022, Bestway 2003 Catalog, p. 52.
 Style 9048 Inflatable Lounge Chair, Swimline (ILP, Inc.) 1999 Catalog, p. A1.
 Style 9049 Pontoon Lounger, Swimline (ILP, Inc.) 1999 Catalog, p. A1.
 Style 9041 Deluxe Lounge Chair, Swimline (ILP, Inc.) 1999 Catalog, p. 19.
 Style 9042 Face 2 Face, Swimline (ILP, Inc.) 2002 Catalog, p. 31.
 Lounge Chair 8-S073, Bestway 2000 Catalog, p. 15.
 Bi-Lokoo Cool Lounge BW#Aug. 5478, Bestway 2002 Catalog.
 My Baby Float, Intex 1994 Catalog, p. 17.
 Snoopy Baby Float, Intex 1994 Catalog, p. 17.

Team Mickey Baby Float, Intex 1994 Catalog, p. 17.
 Sun Brite My First Boat, Intex 1994 Catalog, p. 17.
 Folding Lounge Chair, Intex 1994 Catalog, p. 30.
 Just for Baby Pool Seat—Aqua-Leisure 1993 Catalog, p. 7.
 Folding Suntanner Lounge—Aqua-Leisure 1993 Catalog, p. 12.
 Deluxe Fabric Folding Lounge Chair, Intex 1999 Catalog, p. 41.
 Deluxe Fabric King Kool Lounge, Intex 1999 Catalog, p. 41.
 Pedal Float Lounge, Intex 2001 Catalog, p. 34.
 Mini Racer Baby Boat, Bestway 2003 Catalog, p. 36.
 Baby Boat Racer, Bestway 2003 Catalog, p. 36.
 Race Car Baby Care Seat, Bestway 2003 Catalog, p. 36.
 Designer Baby Boat, Bestway 2003 Catalog, p. 36.
 Lounge Recliner, Bestway 2003 Catalog, p. 51.
 High Fashion Folding Lounge Chair, Bestway 2003 Catalog, p. 52.
 Island Lounge, Bestway 2003 Catalog, p. 54.
 Double Ring Float, Bestway 2000 Catalog, p. 8.
 Banana Chair, Bestway 2000 Catalog, p. 8.
 Folding Chair, Bestway 2000 Catalog, p. 15.
 Pedal Car, Bestway 2000 Catalog, p. 28.
 Various Child/Baby Boats, Bestway 2000 Catalog, pp. 73-74.
 Folding Chair (BW 8-5073), Bestway 2002 Catalog.
 Swimclass Baby Boat, packaging contains copyright 2003.
 Aqua-Leisure Baby Boat, packaging contains copyright 1992.
 Aqua-Leisure Squirtin' Tootin' Tugboat, packaging contains copyright 2001.
 Aqua-Leisure Adjustable Sunshade Wave Rider, packaging contains copyright 2001.

* cited by examiner

FIG. 1

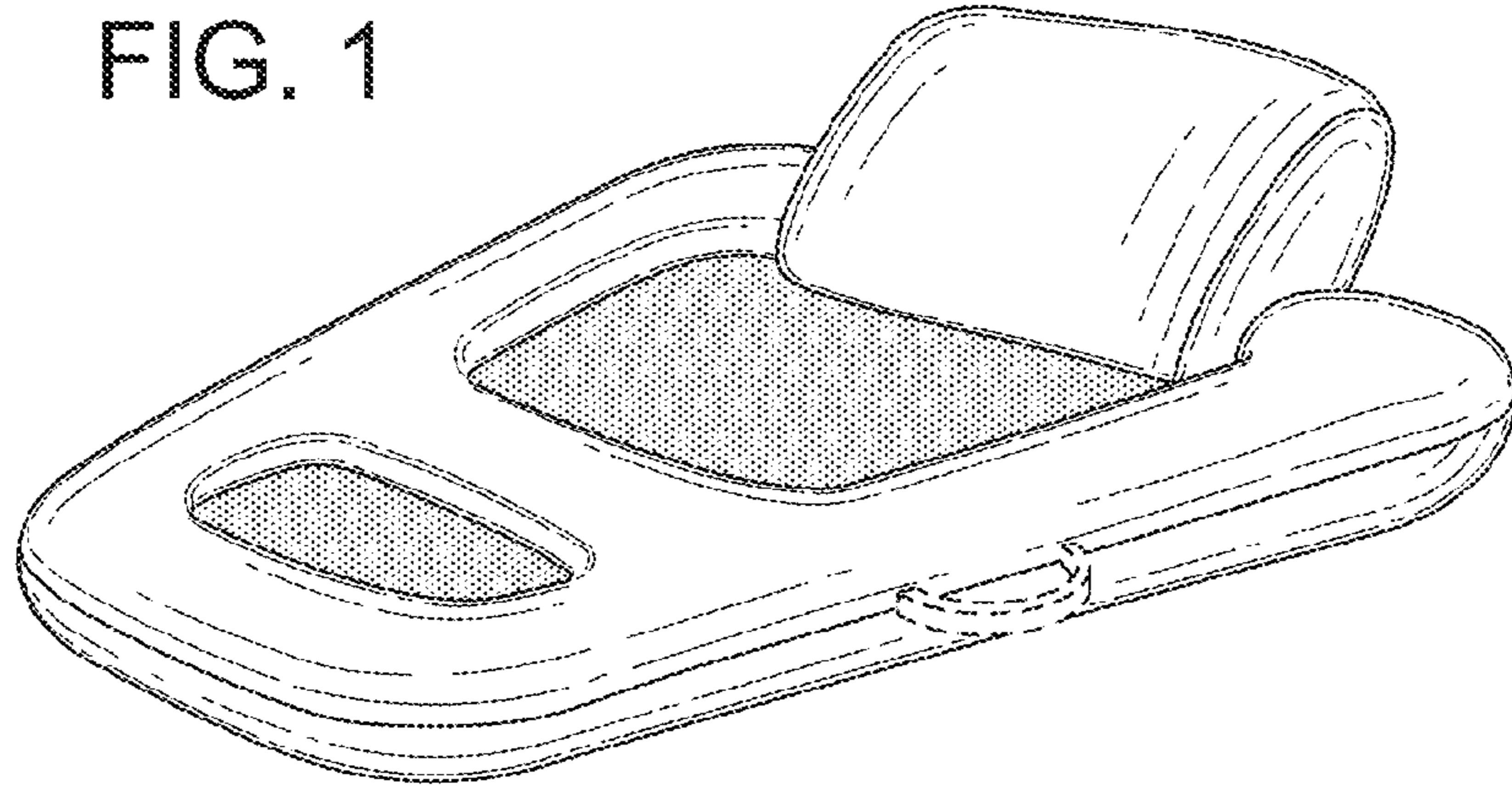


FIG. 2

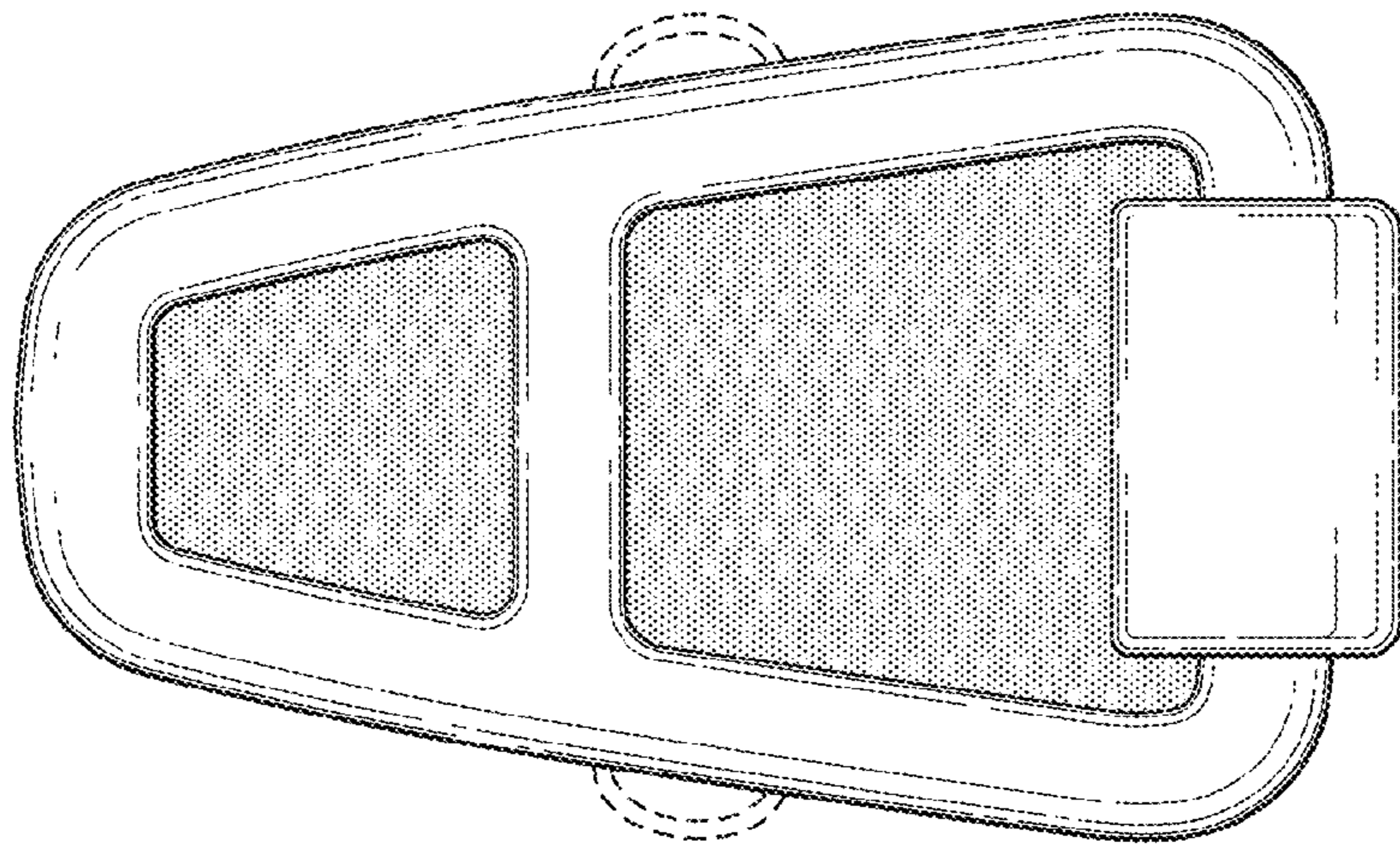


FIG. 3

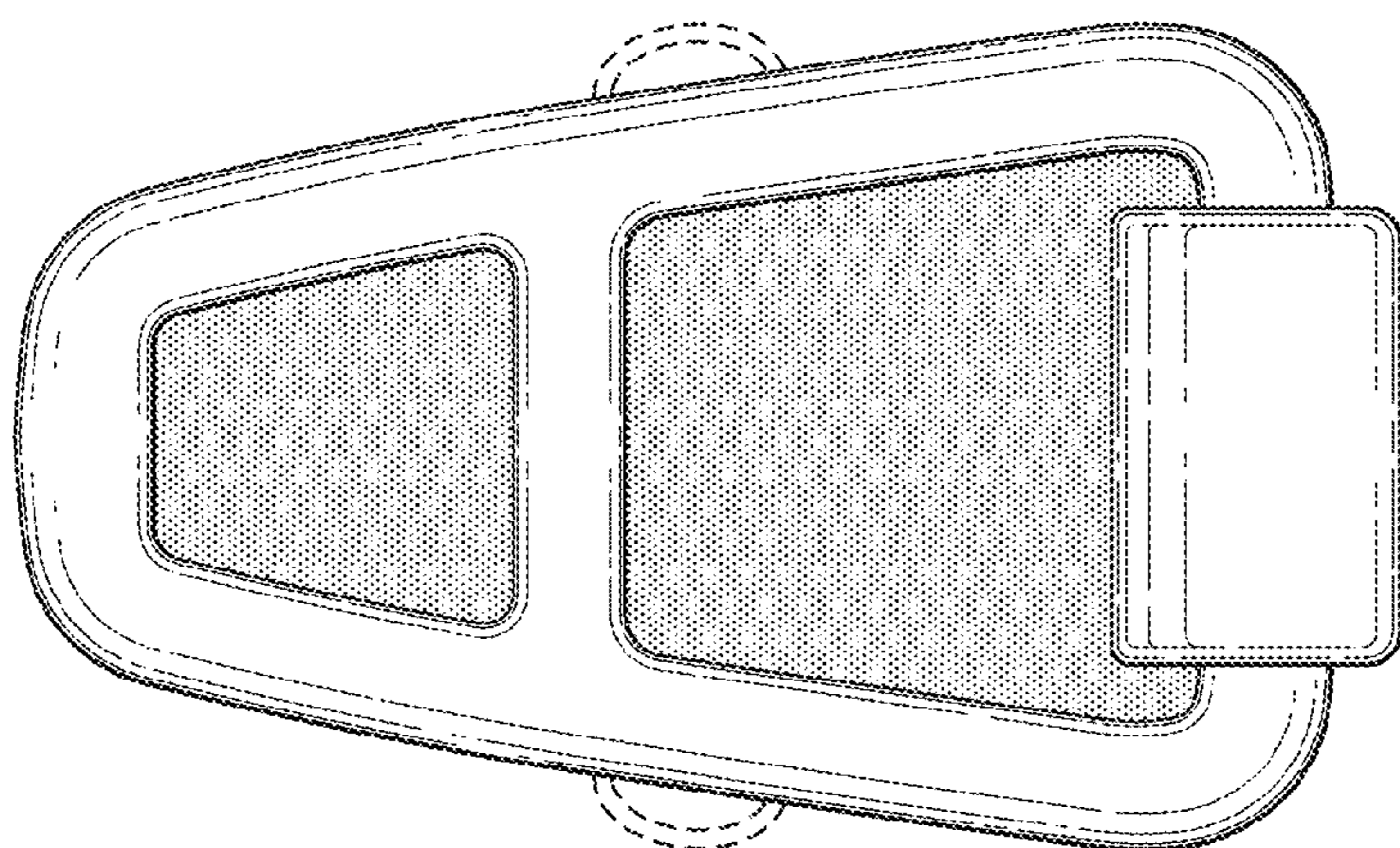


FIG. 4

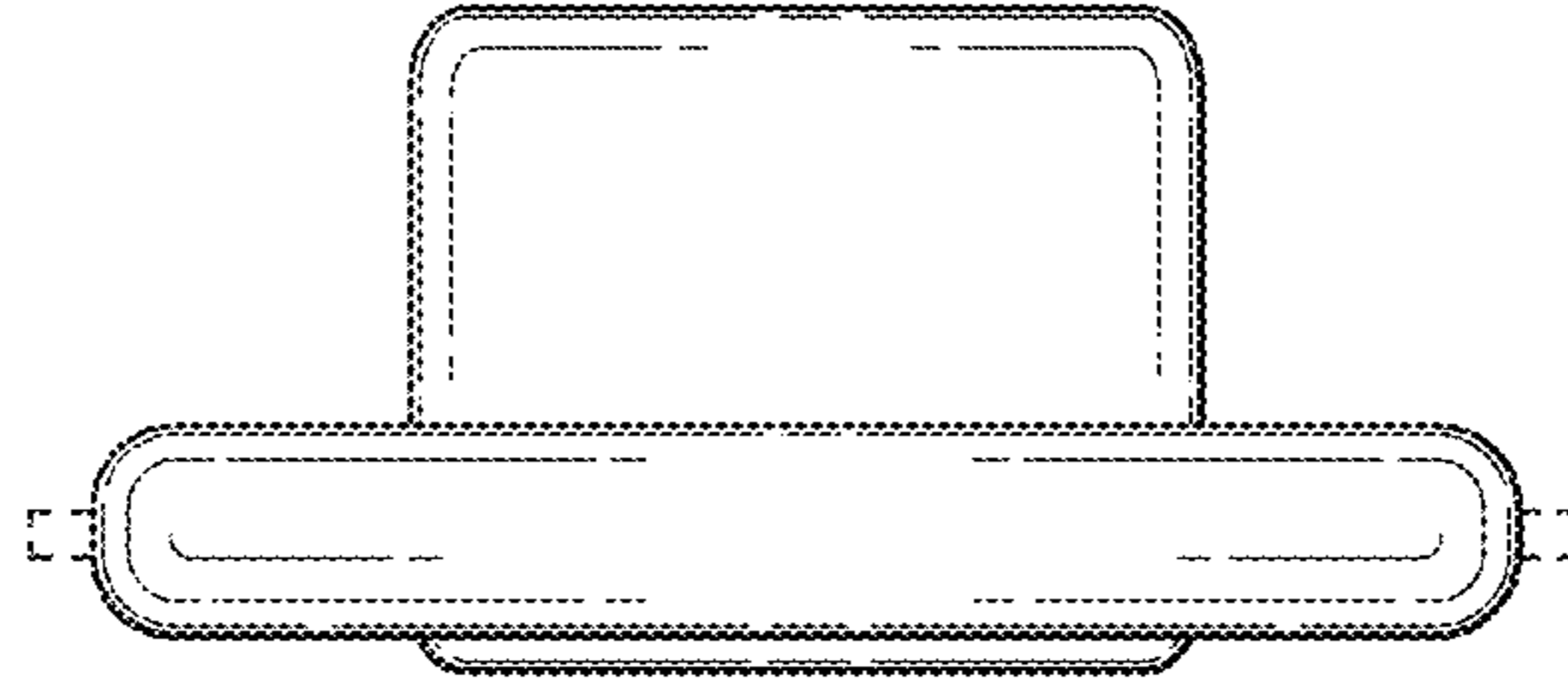


FIG. 5

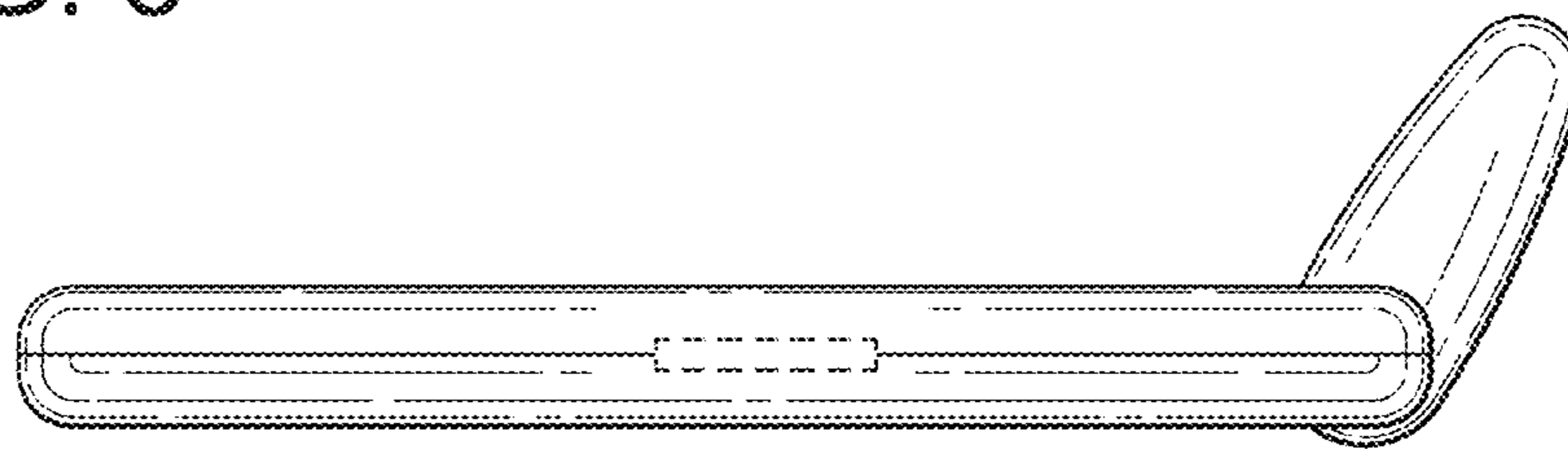


FIG. 6

