



US00D702786S

(12) **United States Design Patent**
Engel et al.

(10) **Patent No.:** **US D702,786 S**
(45) **Date of Patent:** **** Apr. 15, 2014**

(54) **IRON GOLF CLUB HEAD CAVITY**

(71) Applicant: **Acushnet Company**, Fairhaven, MA
(US)
(72) Inventors: **Christopher G. Engel**, Laguna Niguel,
CA (US); **Kevin Wolfe**, San Marcos, CA
(US); **Yu-Jin Song**, San Marcos, CA
(US)
(73) Assignee: **Acushnet Company**, Fairhaven, MA
(US)

(**) Term: **14 Years**

(21) Appl. No.: **29/450,749**

(22) Filed: **Mar. 21, 2013**

(51) **LOC (10) Cl.** **21-02**

(52) **U.S. Cl.**
USPC **D21/759**

(58) **Field of Classification Search**
CPC A63B 49/00; A63B 53/00; A63B 53/04;
A63B 53/047; A63B 53/0475
USPC D21/747-751, 759; 473/324-331, 350
See application file for complete search history.

(56) **References Cited**

U.S. PATENT DOCUMENTS

D300,547 S * 4/1989 Kobayashi D21/748
D428,634 S * 7/2000 Nagai et al. D21/759

D540,898 S 4/2007 Solheim et al.
D544,056 S 6/2007 Nicolette et al.
D577,087 S * 9/2008 Roach et al. D21/749
D579,996 S * 11/2008 Gilbert et al. D21/747
D581,000 S * 11/2008 Nicolette et al. D21/749
D596,684 S * 7/2009 Sutovsky et al. D21/747
D597,157 S * 7/2009 Wallin et al. D21/747
D601,215 S * 9/2009 Diaz et al. D21/747
D601,651 S 10/2009 Jorgensen et al.
D602,103 S 10/2009 Jorgensen et al.
D631,110 S 1/2011 Kim et al.
D635,627 S 4/2011 Nicolette
D641,446 S * 7/2011 Engel et al. D21/759
D641,447 S * 7/2011 Engel et al. D21/759
D643,492 S * 8/2011 Nicolette et al. D21/759

* cited by examiner

Primary Examiner — Mitchell Siegel

(74) *Attorney, Agent, or Firm* — Randy K. Chang

(57) **CLAIM**

The ornamental design for an iron golf club head cavity, as shown and described.

DESCRIPTION

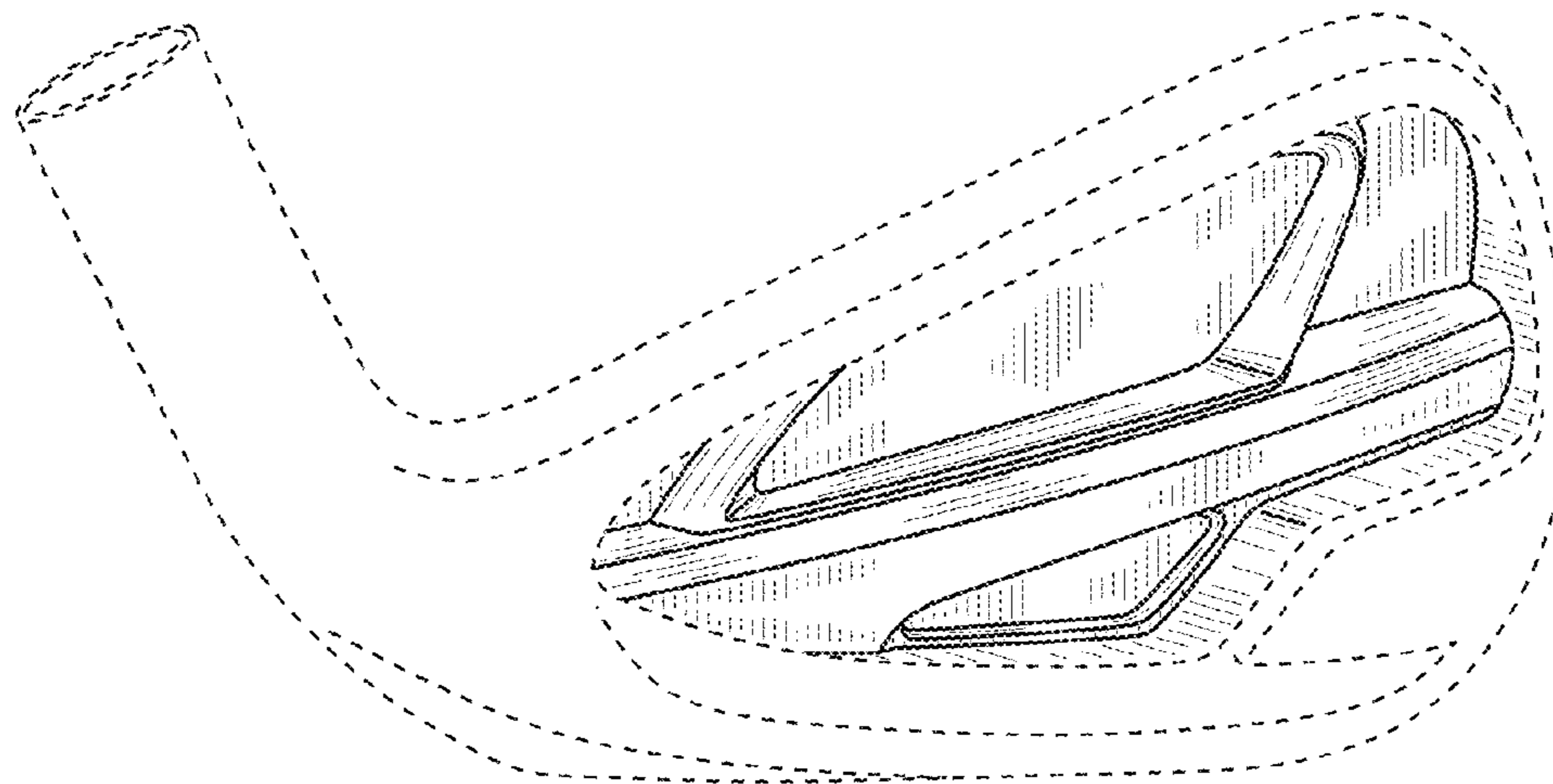
FIG. 1 is a heel perspective view of our new iron golf club head cavity;

FIG. 2 is a toe perspective view thereof; and,

FIG. 3 is an elevational view thereof.

The portion of the iron shown in phantom does not form any portion of the present invention.

1 Claim, 2 Drawing Sheets



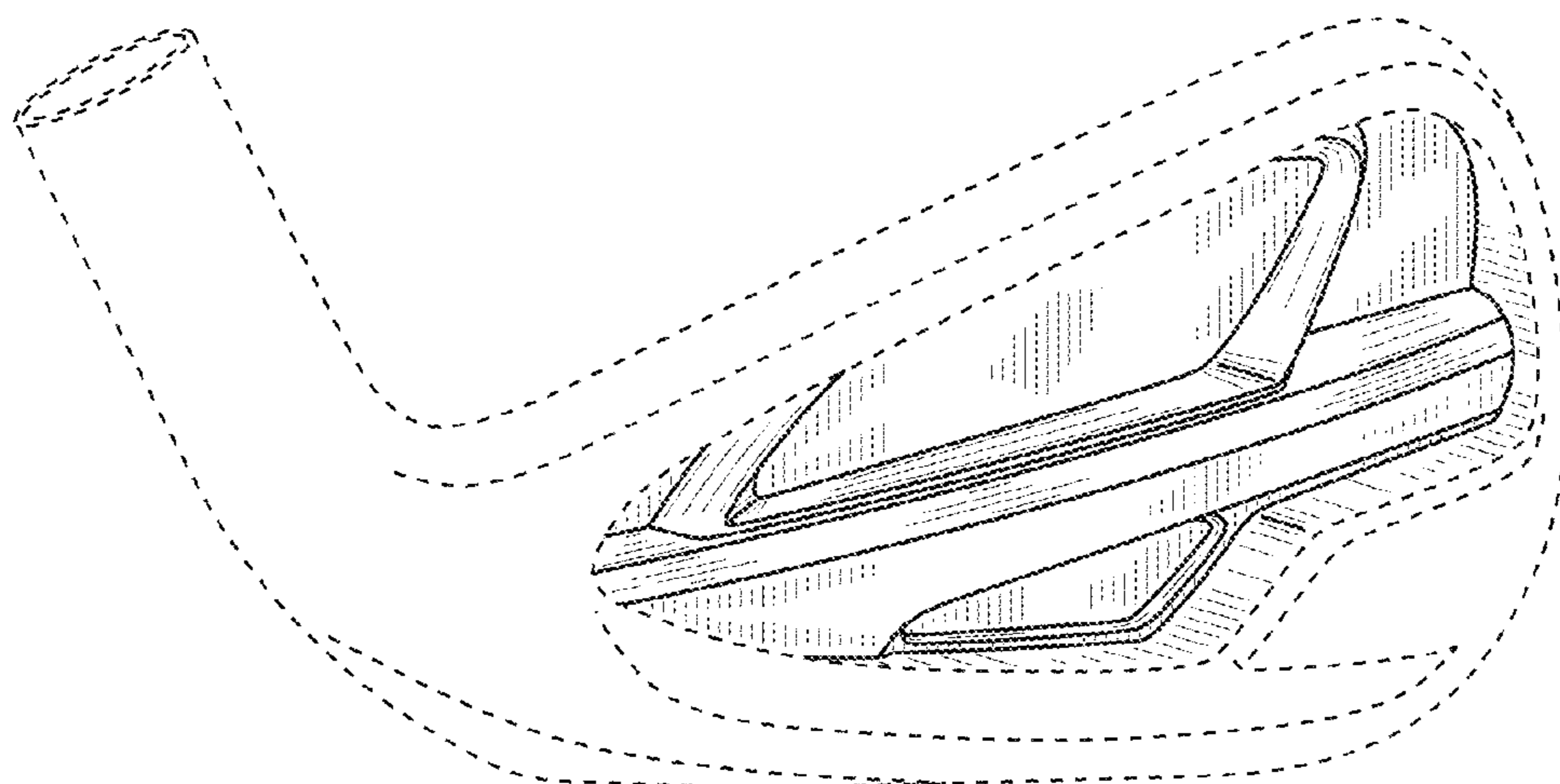


FIG. 1

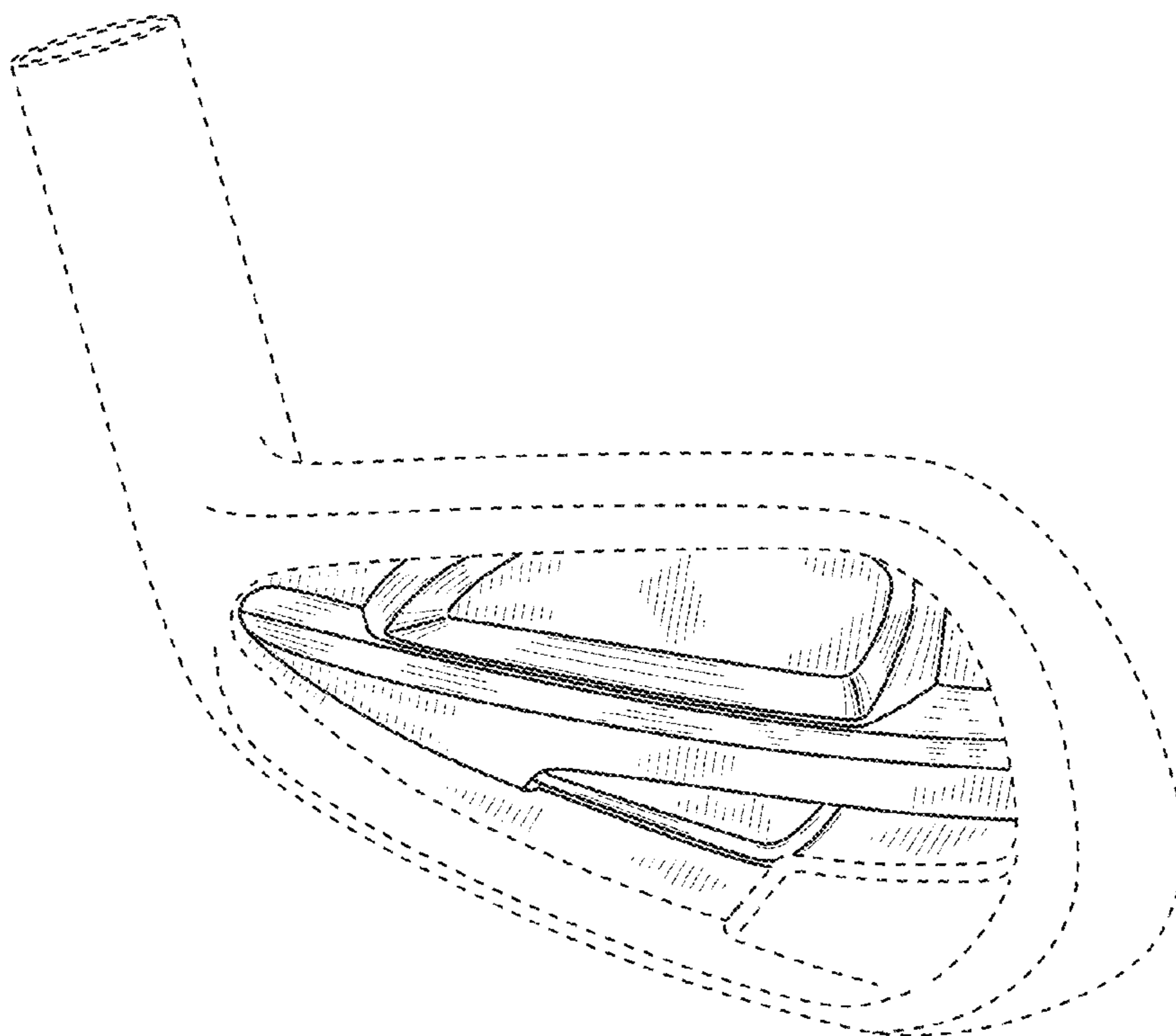


FIG. 2

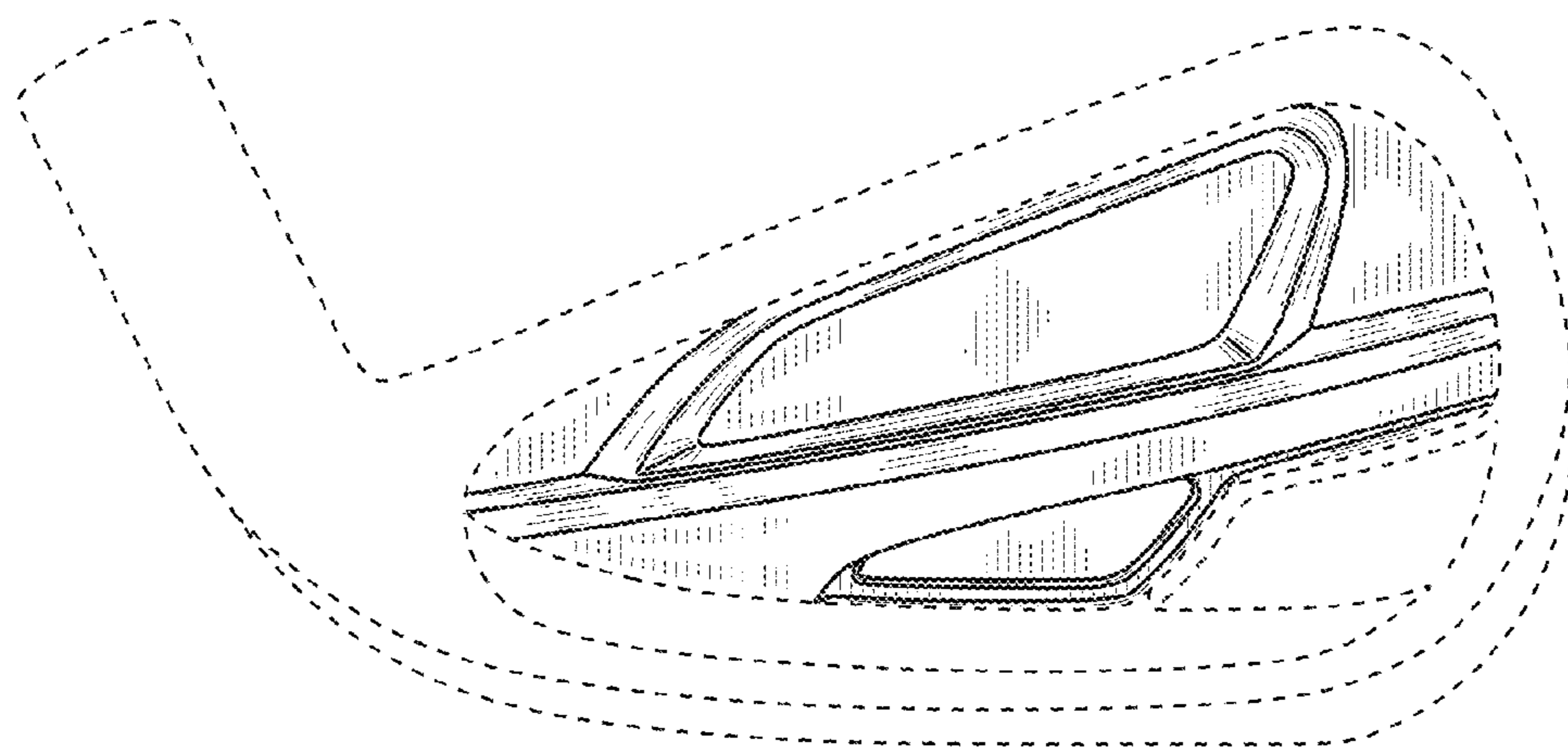


FIG. 3