

US00D702785S

(12) **United States Design Patent**
Johnston

(10) **Patent No.:** **US D702,785 S**

(45) **Date of Patent:** **** Apr. 15, 2014**

(54) **COLOR CODED RACQUET GRIP**

(71) Applicant: **Adam J. Johnston**, Stouffville (CA)

(72) Inventor: **Adam J. Johnston**, Stouffville (CA)

(**) Term: **14 Years**

(21) Appl. No.: **29/445,221**

(22) Filed: **Feb. 8, 2013**

(51) **LOC (10) Cl.** **21-02**

(52) **U.S. Cl.**
USPC **D21/756**

(58) **Field of Classification Search**
USPC D21/729-731, 756-758; 473/524-557
See application file for complete search history.

(56) **References Cited**

U.S. PATENT DOCUMENTS

4,961,572	A *	10/1990	Badillo et al.	473/538
8,012,048	B1 *	9/2011	Montalvo	473/459
2012/0244967	A1 *	9/2012	Johnston	473/549
2013/0157789	A1 *	6/2013	Grady et al.	473/463

* cited by examiner

Primary Examiner — Mitchell Siegel

(74) *Attorney, Agent, or Firm* — James M Smedley LLC;
James M. Smedley, Esq.

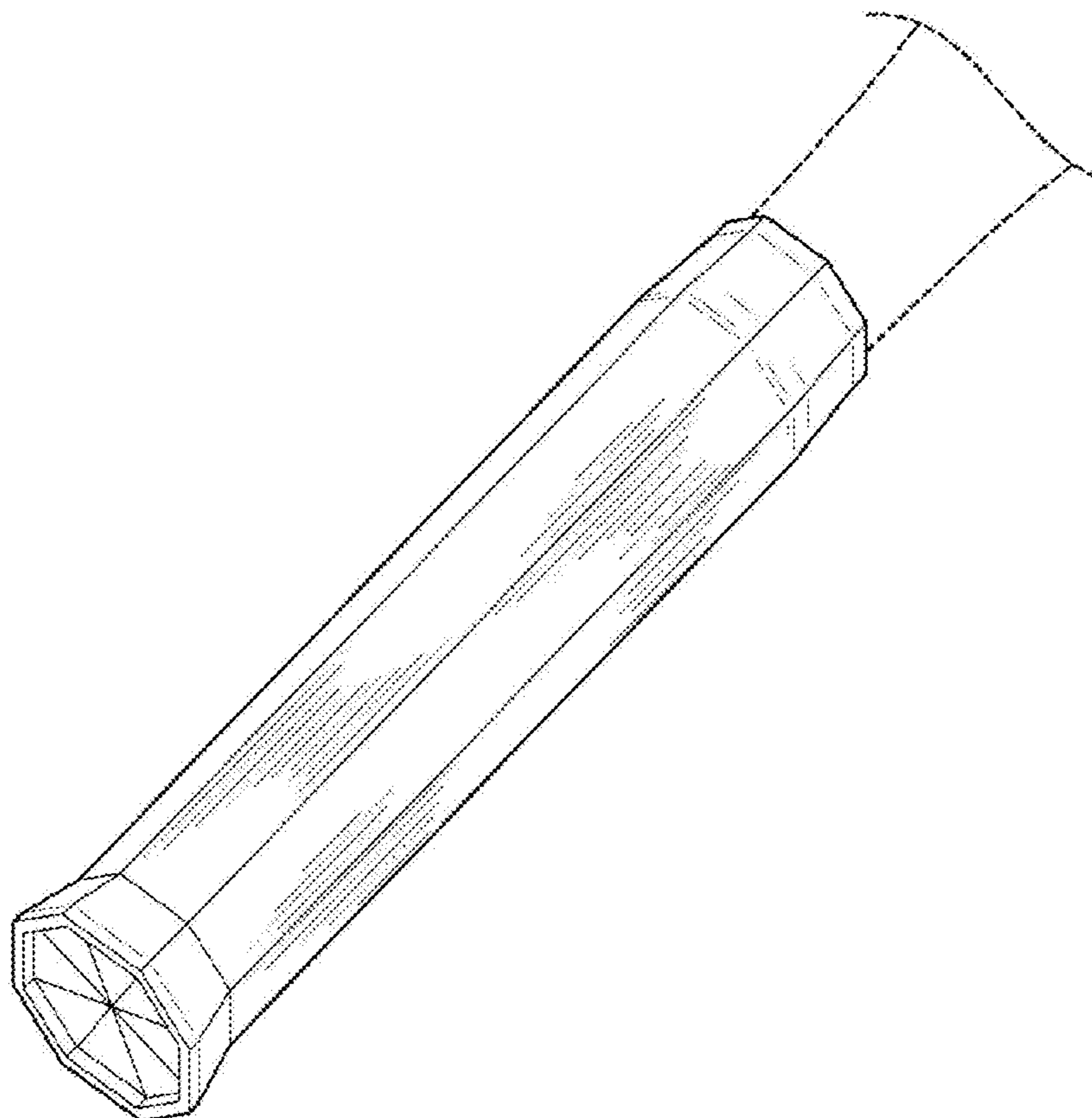
(57) **CLAIM**

I claim the ornamental design for a color coded racquet grip, substantially as shown and described.

DESCRIPTION

FIG. 1 is a perspective view of the color coded racquet grip according to my invention;
FIG. 2 is a plan view of the bottom end of the color coded racquet grip according to my invention;
FIG. 3 is yet another perspective view of the color coded racquet grip according to my invention;
FIG. 4 is an elevation view of one side of the color coded racquet grip according to my invention; and,
FIG. 5 is an elevation view of another side of the color coded racquet grip according to my invention.
The broken lines in the figures depict environmental subject matter and form no part of the claimed design.

1 Claim, 5 Drawing Sheets



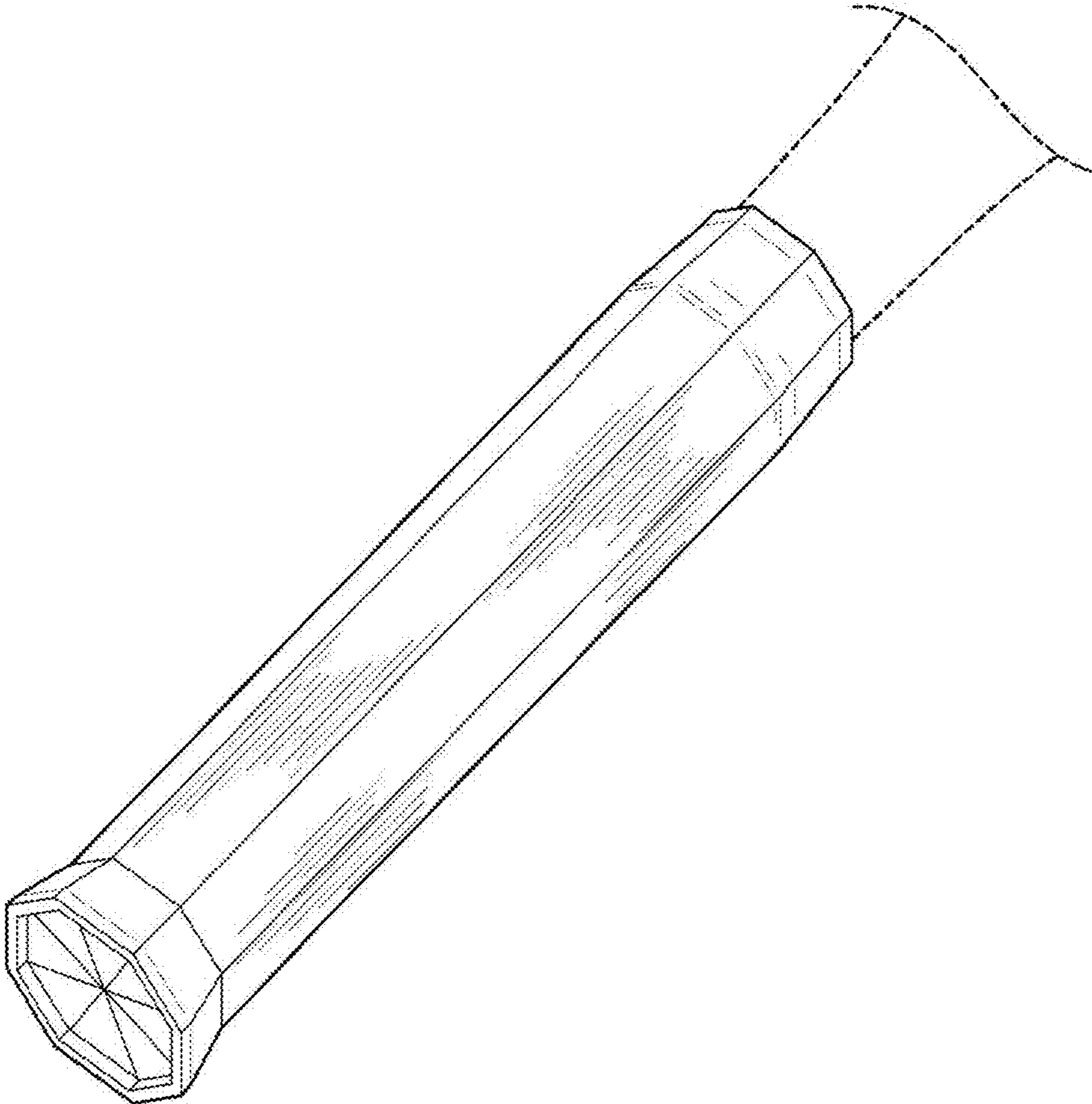


FIG. 1

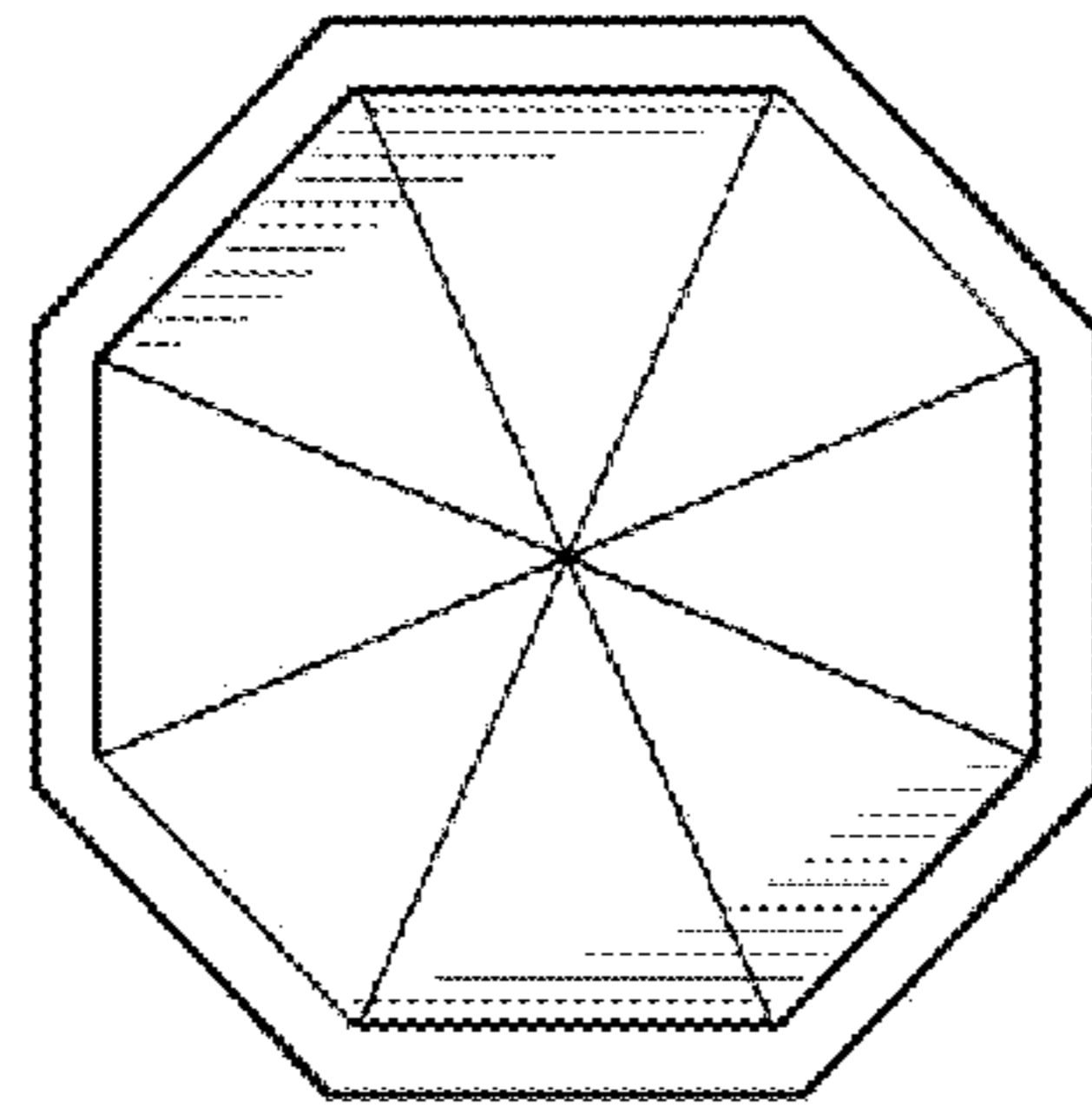


FIG. 2

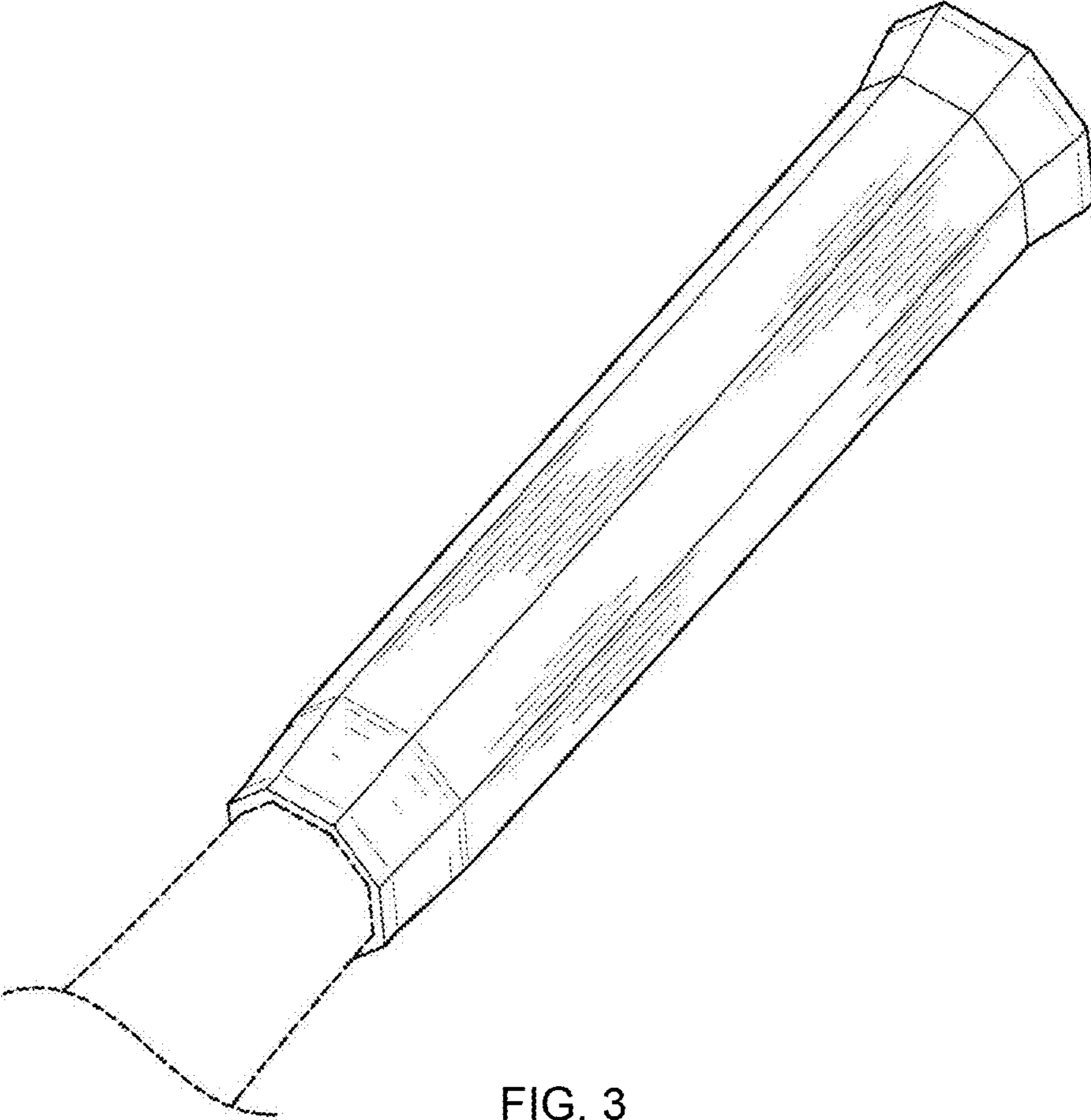


FIG. 3

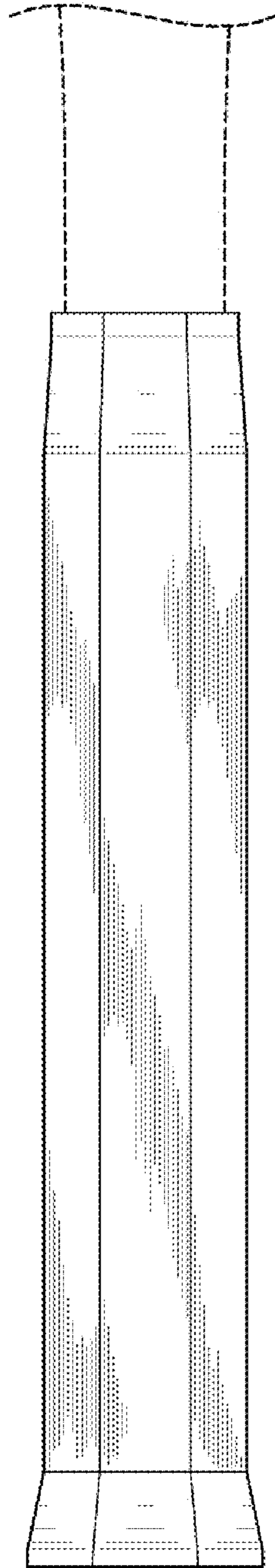


FIG. 4

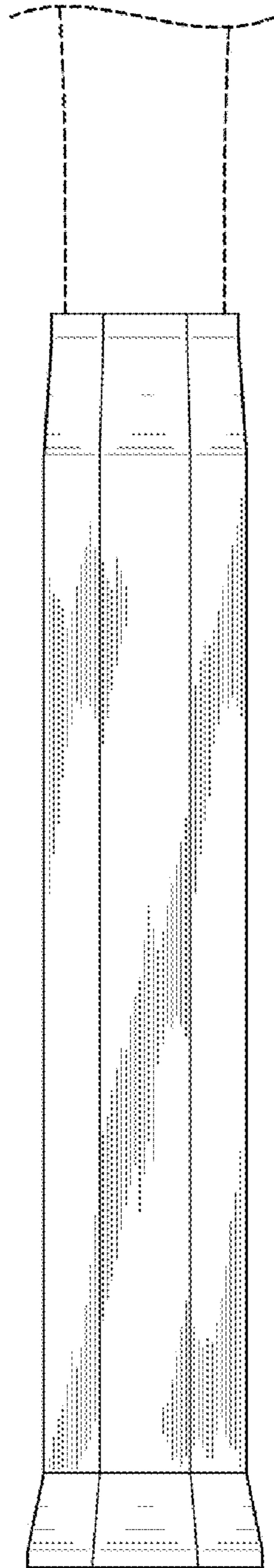


FIG. 5