



US00D702782S

(12) **United States Design Patent**
Wempe et al.

(10) **Patent No.:** **US D702,782 S**
(45) **Date of Patent:** **** Apr. 15, 2014**

(54) **GOLF PUTTER HEAD**

(71) Applicants: **Patrick Loren Wempe**, Tecumseh, KS
(US); **Kyle Lane Taylor**, Lawrence, KS
(US)

(72) Inventors: **Patrick Loren Wempe**, Tecumseh, KS
(US); **Kyle Lane Taylor**, Lawrence, KS
(US)

(**) Term: **14 Years**

(21) Appl. No.: **29/442,399**

(22) Filed: **Feb. 25, 2013**

(51) **LOC (10) Cl.** **21-07**

(52) **U.S. Cl.**
USPC **D21/743**

(58) **Field of Classification Search**
USPC D21/736-746; 473/324-331, 251-256,
473/340-341

See application file for complete search history.

(56) **References Cited**

U.S. PATENT DOCUMENTS

D207,227 S *	3/1967	Solheim	D21/739
D239,951 S *	5/1976	Carrier	D21/742
D389,207 S *	1/1998	Cameron	D21/742
D426,599 S *	6/2000	Morgan et al.	D21/736
D438,272 S *	2/2001	Moore	D21/736
D443,906 S *	6/2001	Hettinger et al.	D21/743

D485,320 S *	1/2004	Breier et al.	D21/736
D498,276 S *	11/2004	Schweigert et al.	D21/743
D521,580 S *	5/2006	Burrows	D21/736
D535,712 S *	1/2007	Toroussian	D21/749
D548,294 S *	8/2007	Nguyen et al.	D21/736
D552,196 S *	10/2007	Hueber	D21/742
D562,921 S *	2/2008	Nguyen et al.	D21/742
D583,887 S *	12/2008	Cameron	D21/743
D590,462 S *	4/2009	Hettinger et al.	D21/743
D638,892 S *	5/2011	Hettinger et al.	D21/743
D643,893 S *	8/2011	Rollinson	D21/742
D648,407 S *	11/2011	Teramoto	D21/743
D650,456 S *	12/2011	Tang et al.	D21/743
D689,574 S *	9/2013	Rollinson	D21/743
D691,225 S *	10/2013	Hilton et al.	D21/736

* cited by examiner

Primary Examiner — Mitchell Siegel

(57) **CLAIM**

The ornamental design for a golf putter head, as shown and described.

DESCRIPTION

FIG. 1 is a top perspective view of a golf putter head as claimed herein;

FIG. 2 is a front elevational view thereof;

FIG. 3 is a rear elevational view thereof;

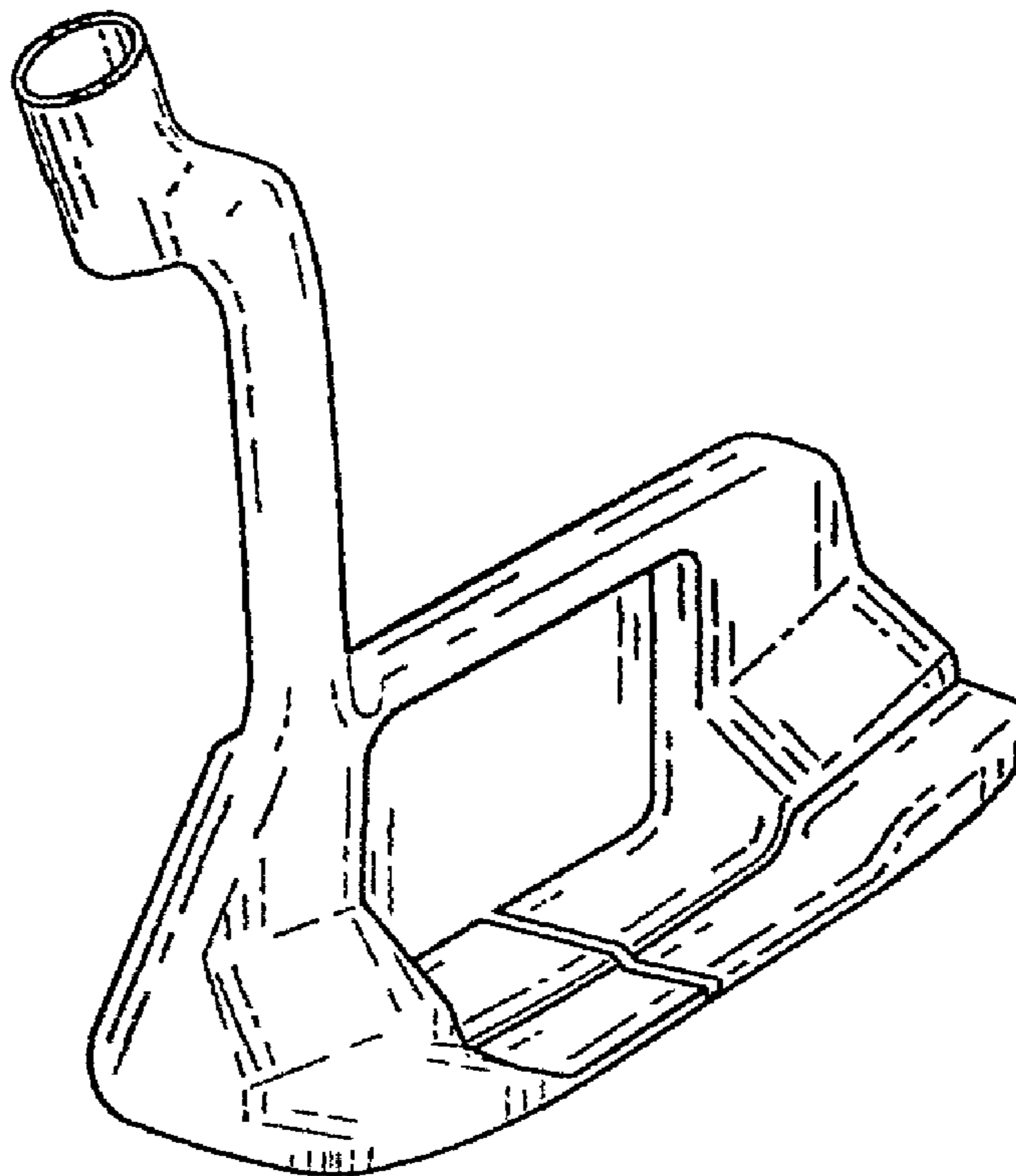
FIG. 4 is a bottom plan view thereof;

FIG. 5 is a top plan view thereof;

FIG. 6 is a heel elevational view thereof; and,

FIG. 7 is a toe elevational view thereof.

1 Claim, 4 Drawing Sheets



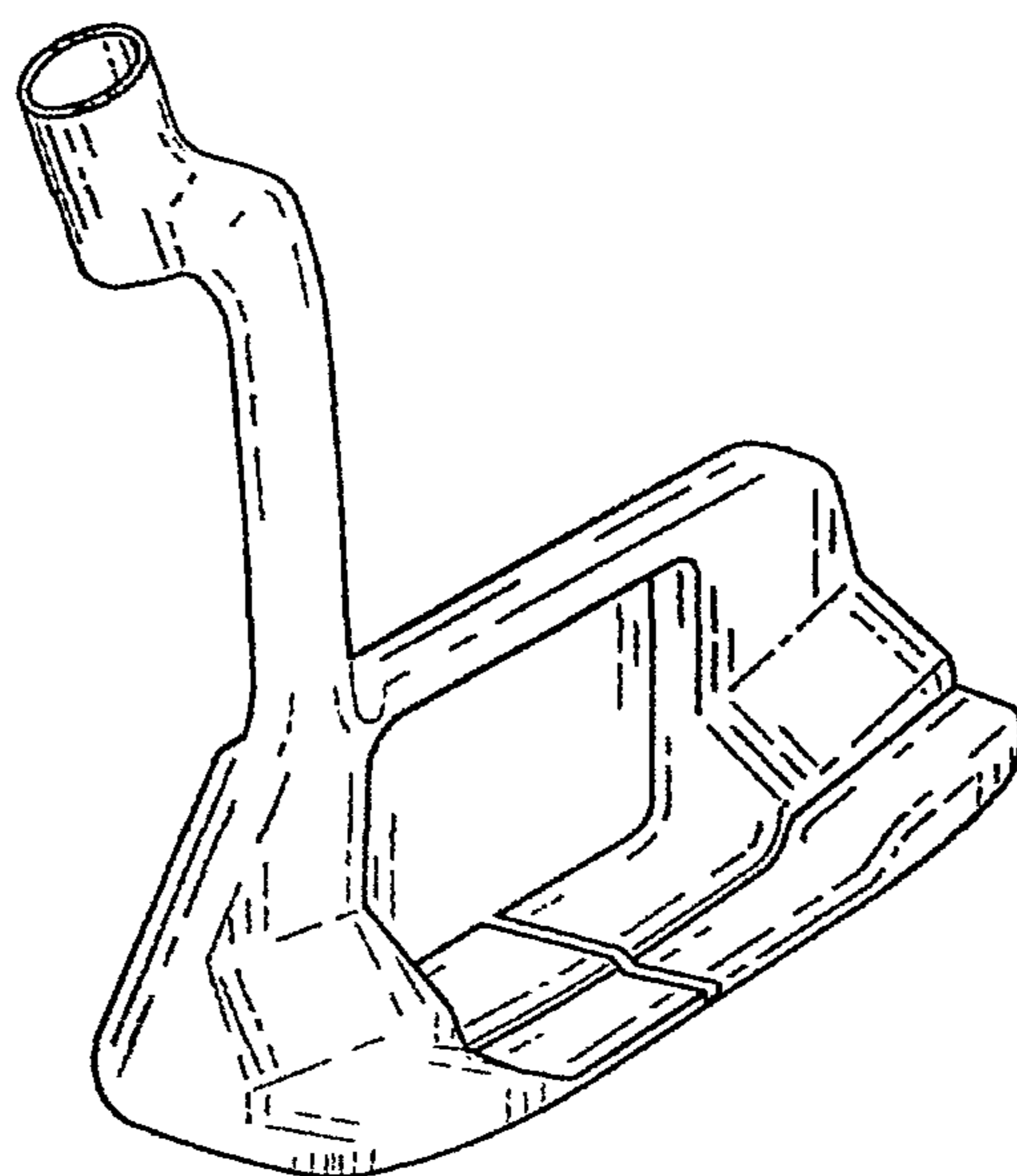


FIG. 1

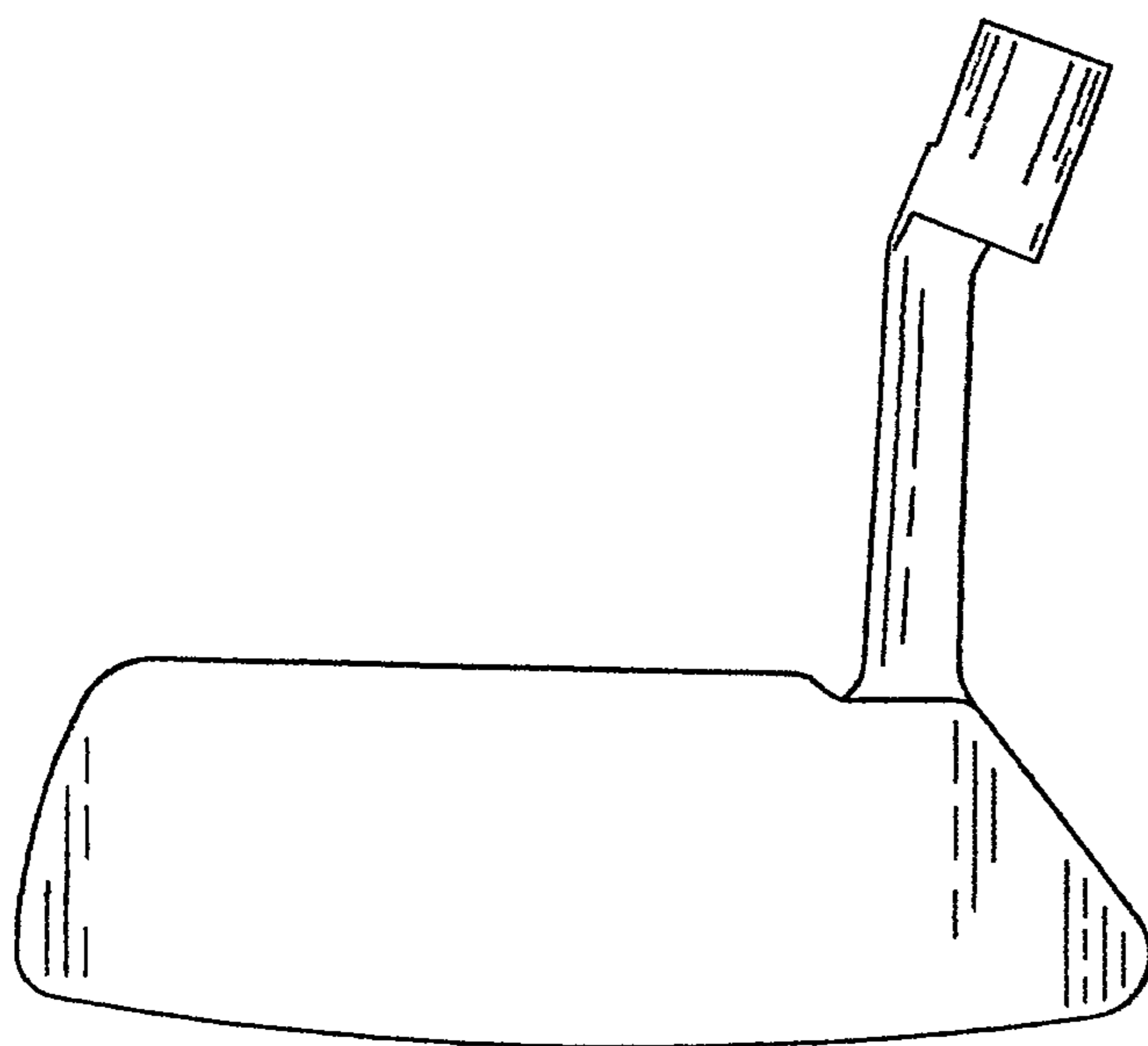


FIG. 2

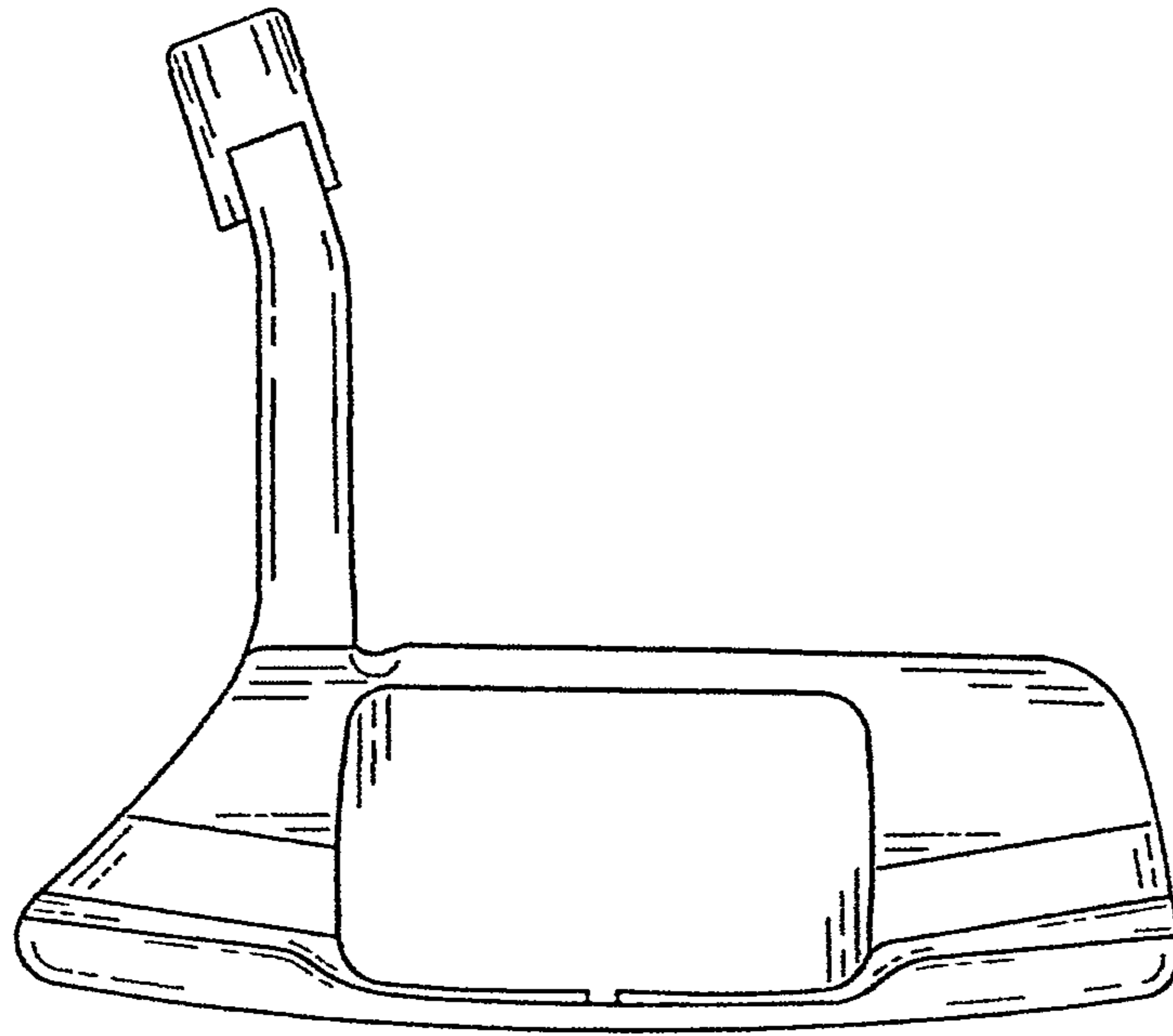


FIG. 3

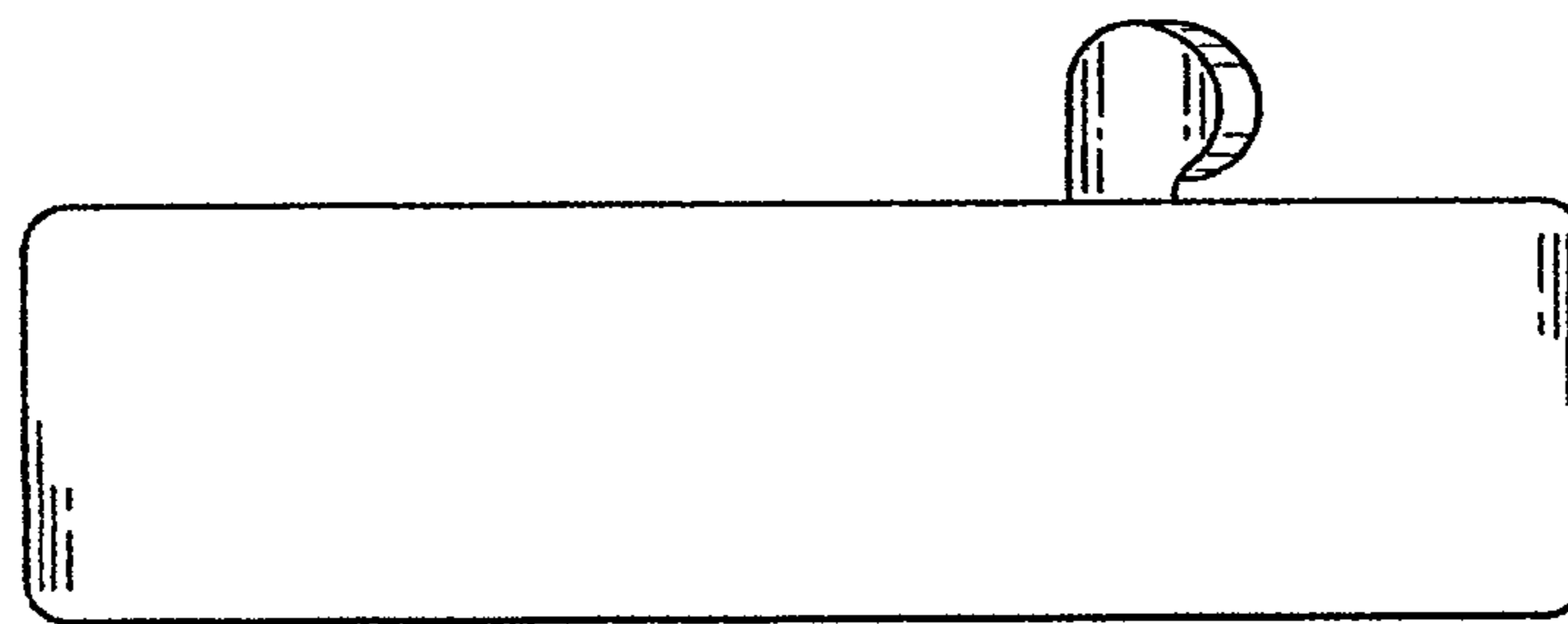


FIG. 4

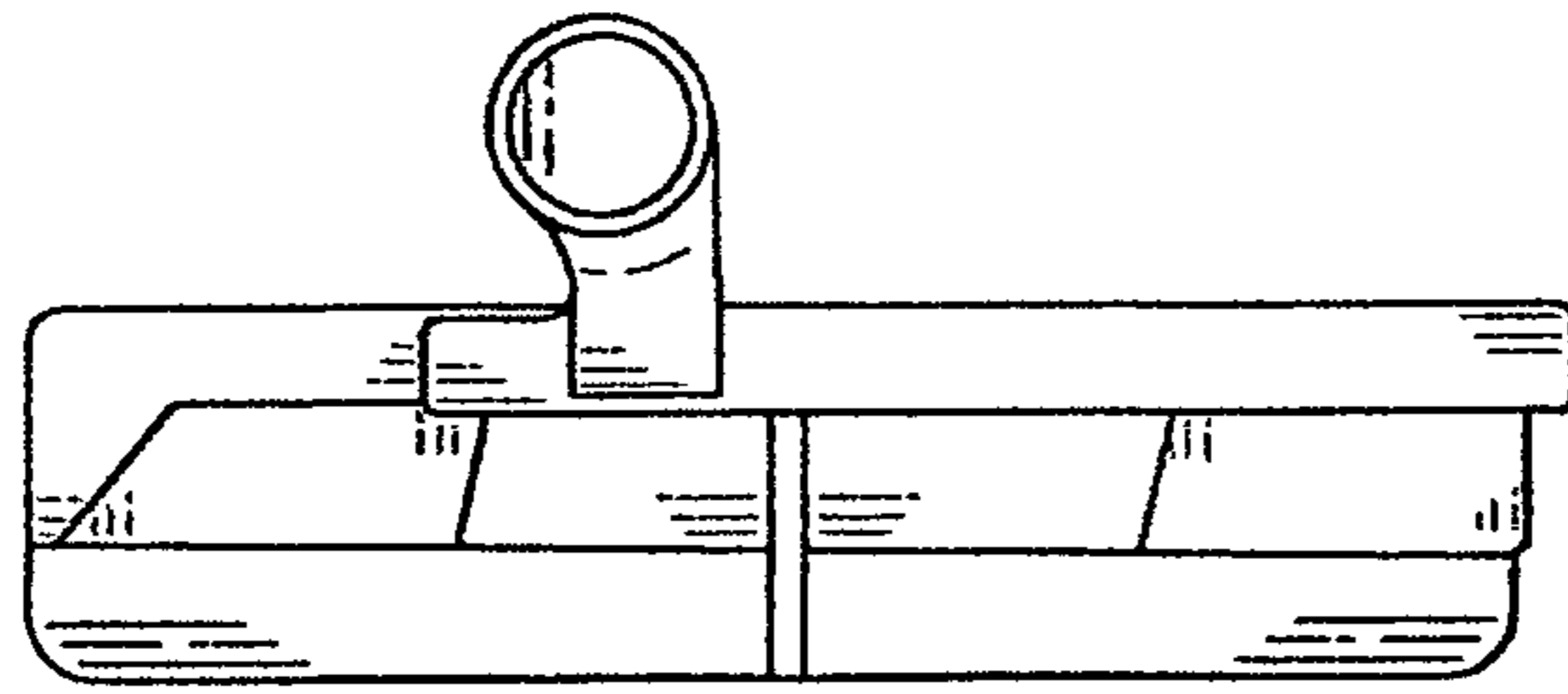


FIG. 5

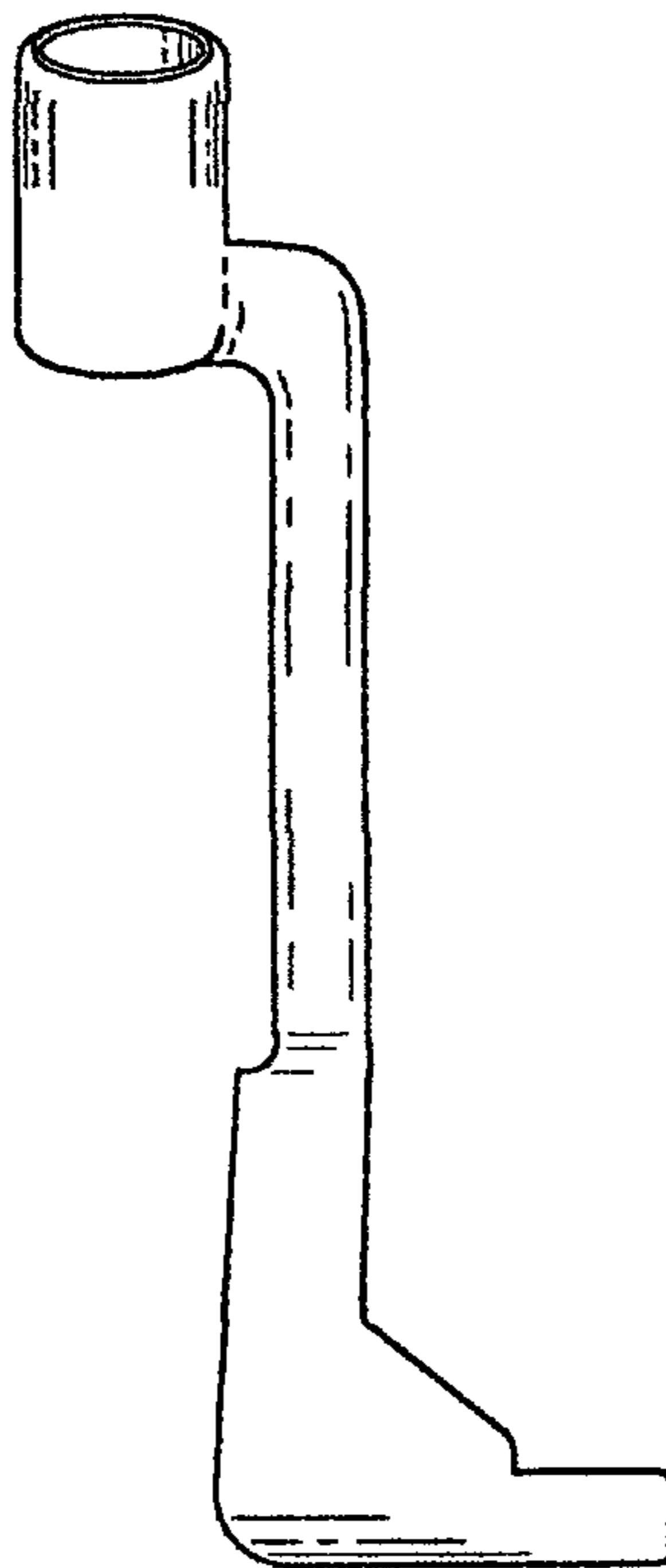


FIG. 6

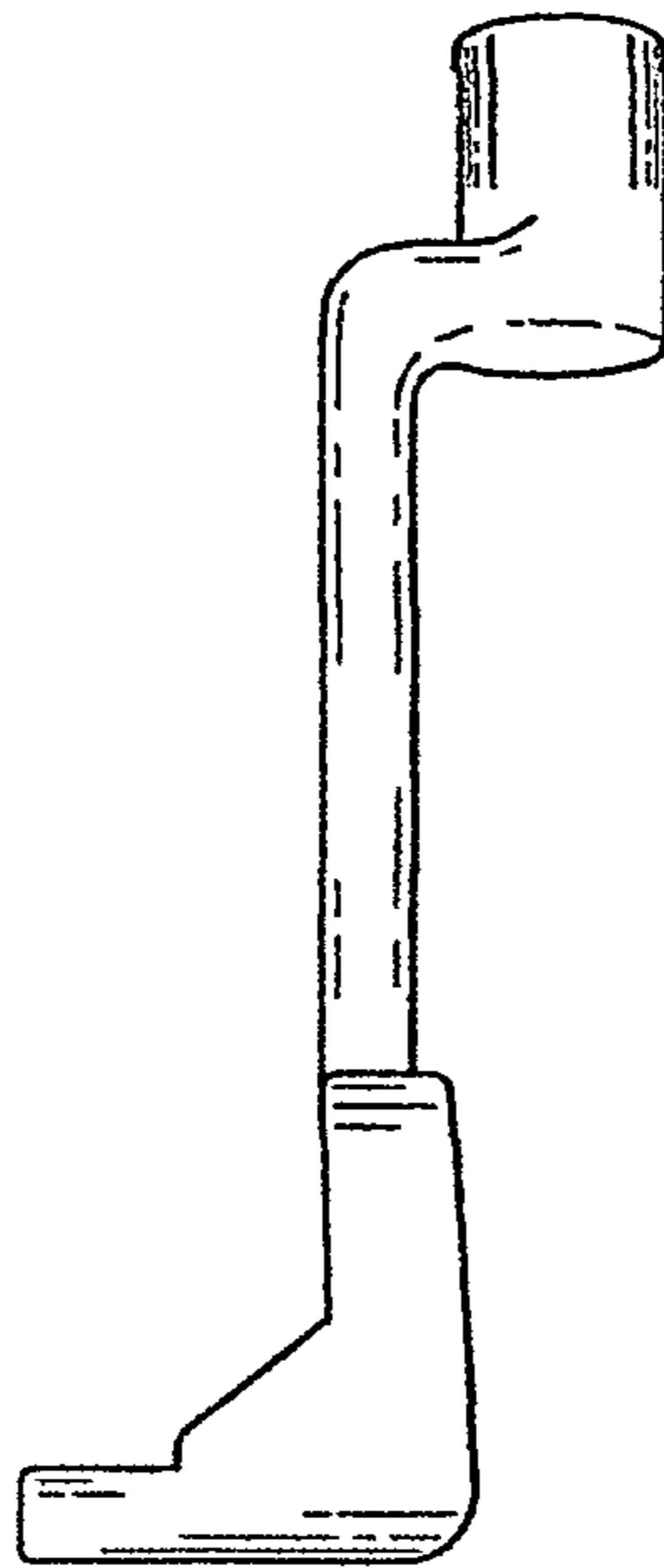


FIG. 7