



US00D702780S

(12) **United States Design Patent**
Marion

(10) **Patent No.:** **US D702,780 S**
(45) **Date of Patent:** **** Apr. 15, 2014**

- (54) **FLYING DISC LAUNCHING DEVICE**
- (71) Applicant: **Tod R. Marion**, Beaver, PA (US)
- (72) Inventor: **Tod R. Marion**, Beaver, PA (US)
- (**) Term: **14 Years**
- (21) Appl. No.: **29/470,625**
- (22) Filed: **Oct. 23, 2013**

Related U.S. Application Data

- (63) Continuation of application No. 13/156,851, filed on Jun. 9, 2011.
- (51) **LOC (10) Cl.** **21-02**
- (52) **U.S. Cl.**
USPC **D21/722**
- (58) **Field of Classification Search**
USPC D21/722, 301, 436, 453, 454; 124/5,
124/42, 81; 446/46, 71
See application file for complete search history.

(56) **References Cited**

U.S. PATENT DOCUMENTS

- 3,901,208 A * 8/1975 Laporte et al. 124/5
- 4,233,952 A 11/1980 Perkins
- 4,347,828 A * 9/1982 Bridgeman 124/5
- D291,463 S * 8/1987 Hartt D21/722

- 4,730,595 A * 3/1988 Glass et al. 124/5
- 5,282,634 A 2/1994 Chamberland
- 7,665,453 B1 * 2/2010 D'Agostino 124/5
- 7,665,454 B1 * 2/2010 D'Agostino 124/5
- 7,900,617 B1 * 3/2011 Kersh 124/5
- 8,387,601 B1 * 3/2013 Christensen 124/5
- 2003/0045200 A1 * 3/2003 Tarng et al. 446/46
- 2005/0070198 A1 * 3/2005 Pickering et al. 446/71
- 2012/0199105 A1 * 8/2012 Smit 124/5

* cited by examiner

Primary Examiner — Mitchell Siegel

(74) *Attorney, Agent, or Firm* — Robert C. Montgomery;
Montgomery Patent & Design

(57) **CLAIM**

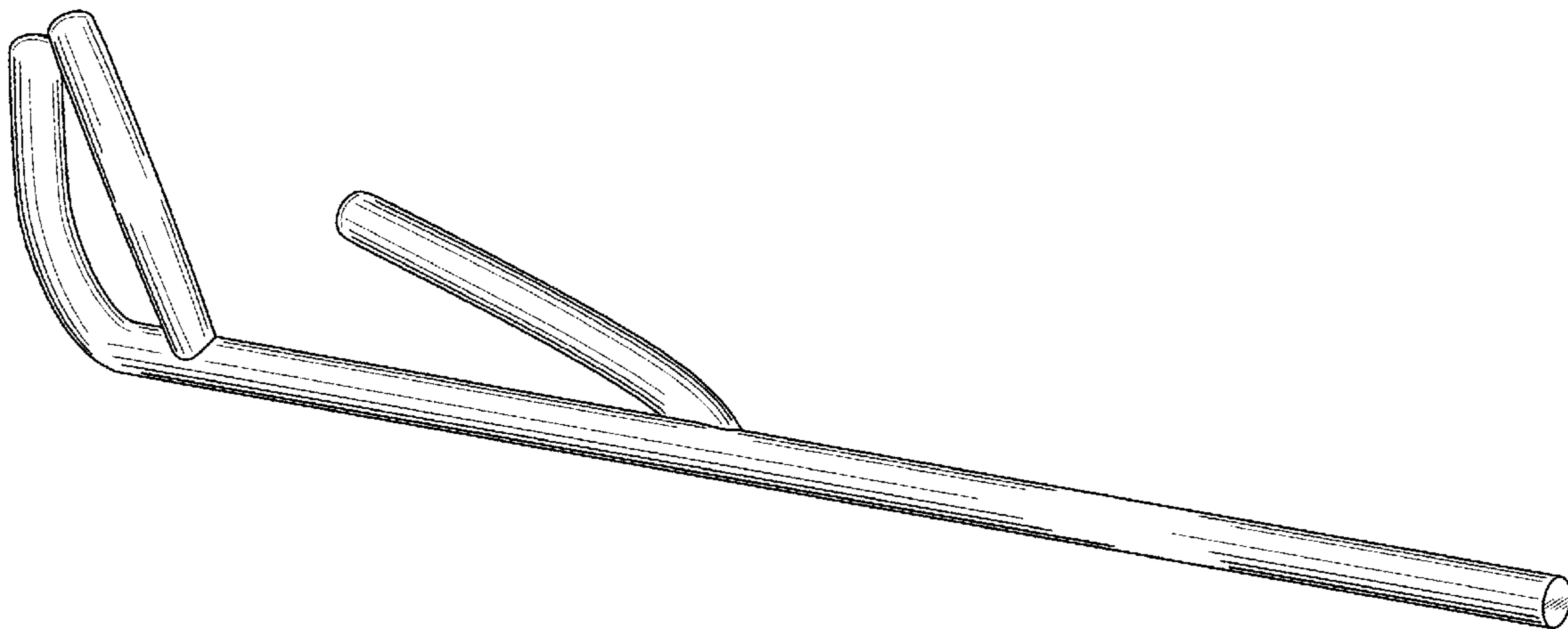
The ornamental design for a flying disc launching device, as shown and described.

DESCRIPTION

FIG. 1 is a perspective view of a flying disc launching device; FIG. 2 is a front view thereof; FIG. 3 is a rear view thereof; FIG. 4 is a left-hand side view thereof; FIG. 5 is a right-hand side view thereof; FIG. 6 is a top view thereof; FIG. 7 is a bottom view thereof; and, FIG. 8 is a perspective view thereof, with the handle being shown for environmental purposes only and form no part of the claimed design.

The broken lines shown in the drawings illustrate the environment of the article and form no part of the claimed design.

1 Claim, 7 Drawing Sheets



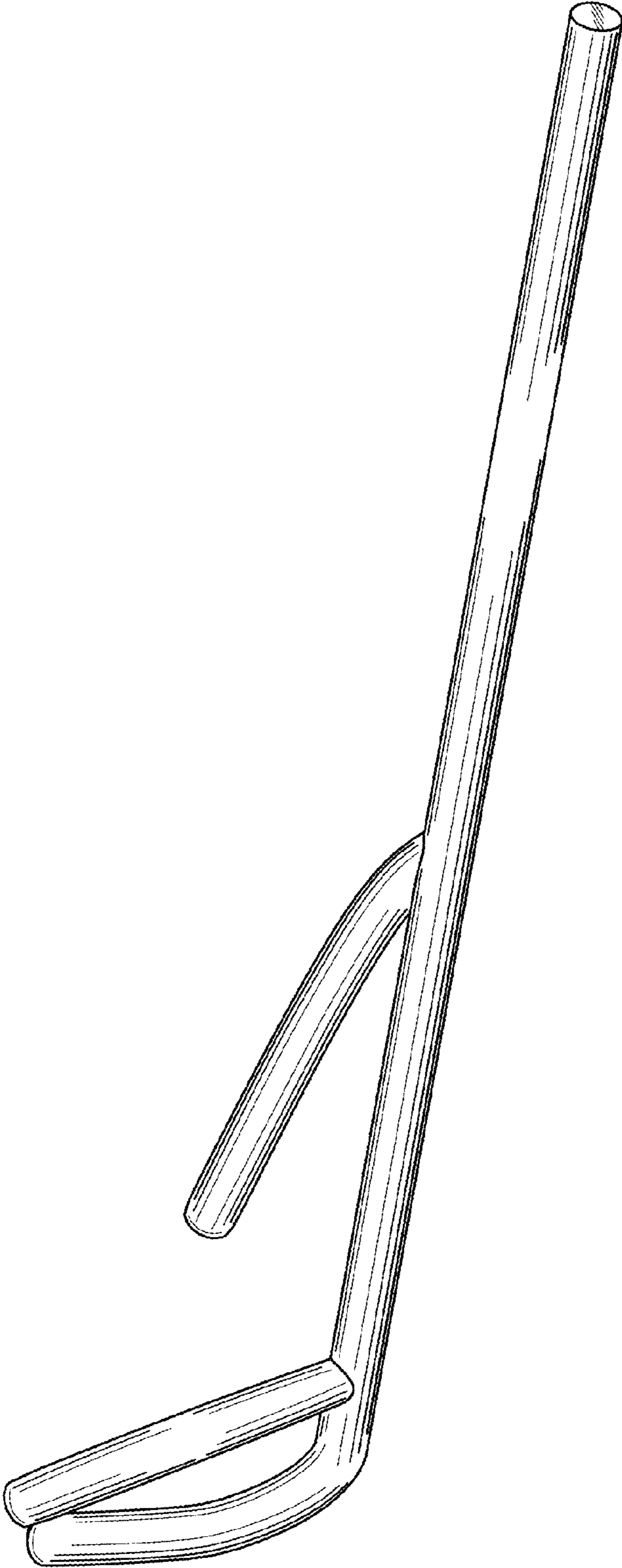


Fig. 1

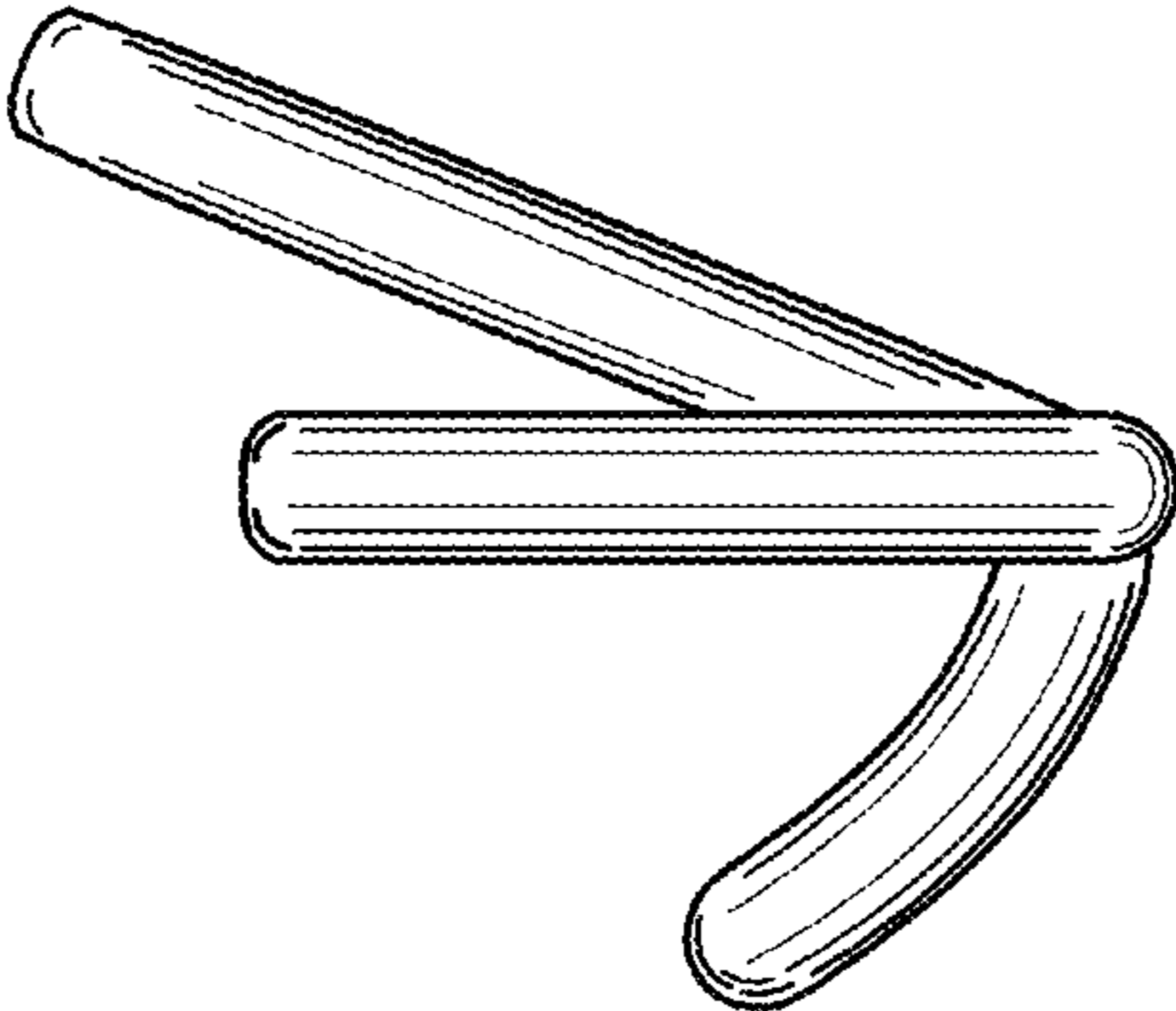


Fig. 3

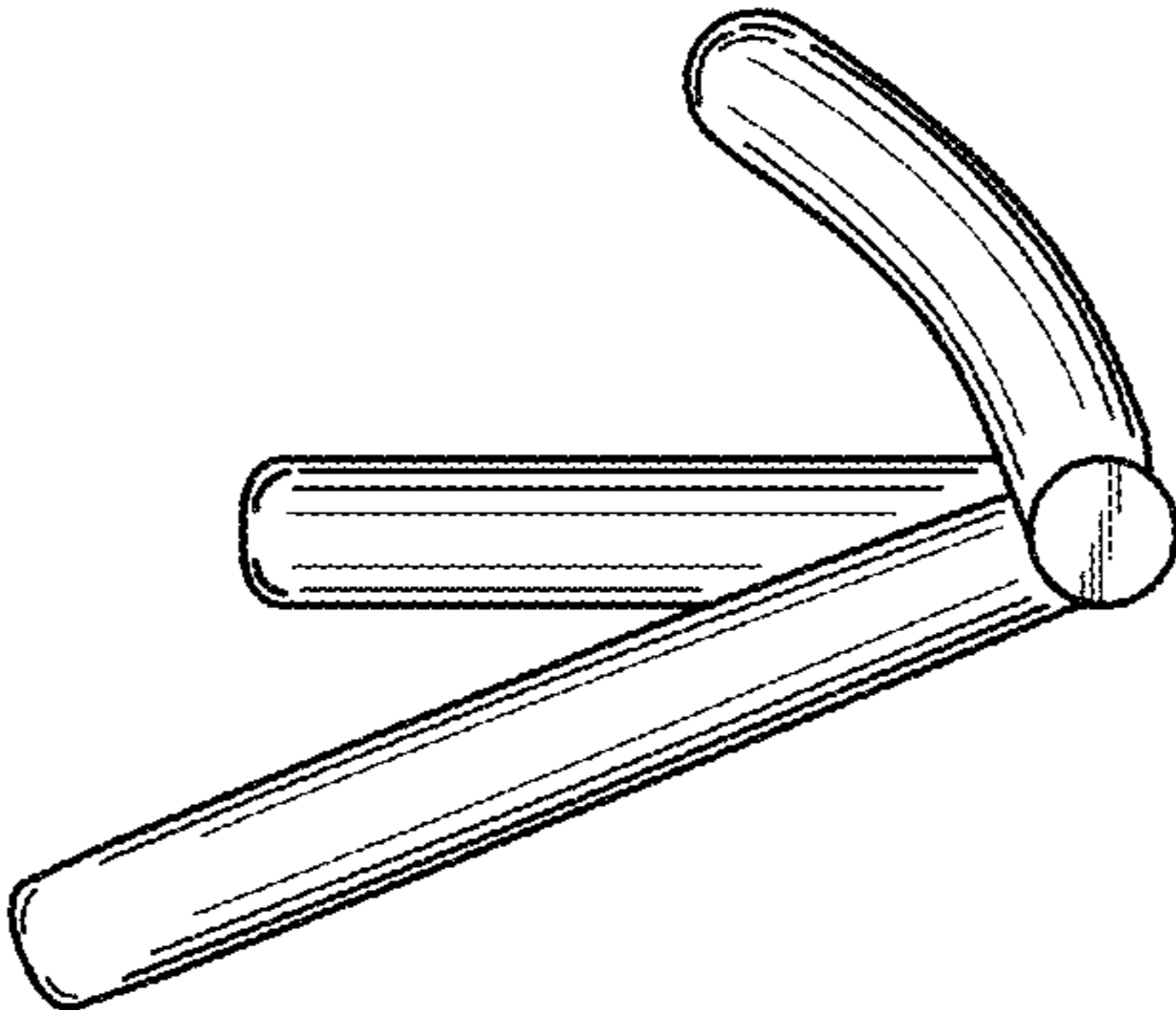


Fig. 2

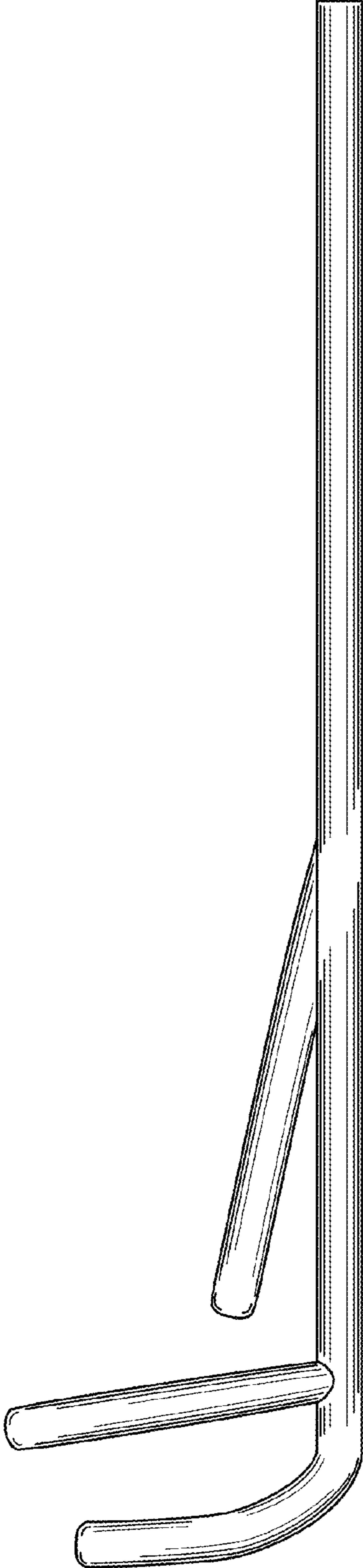


Fig. 4

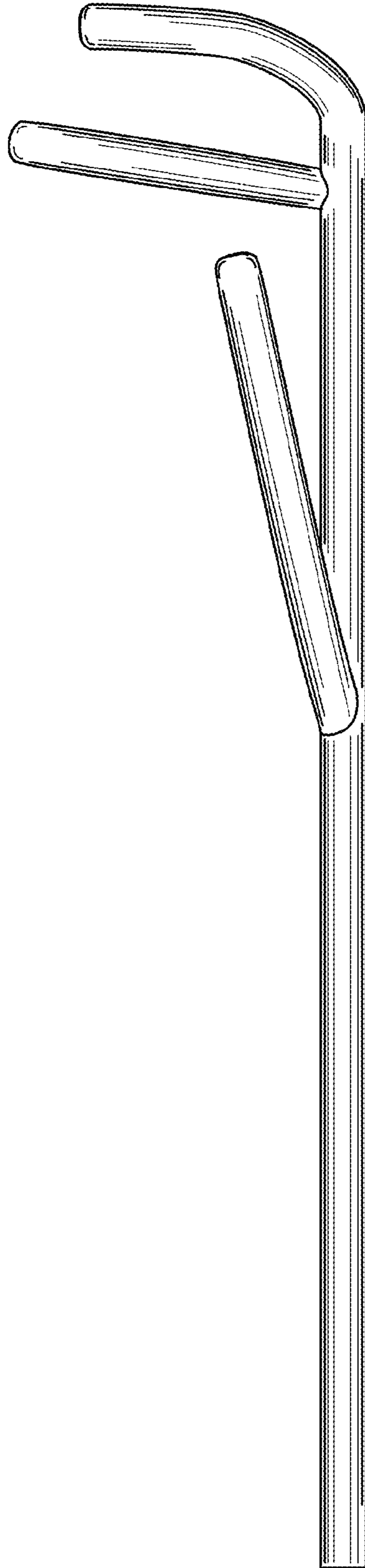


Fig. 5

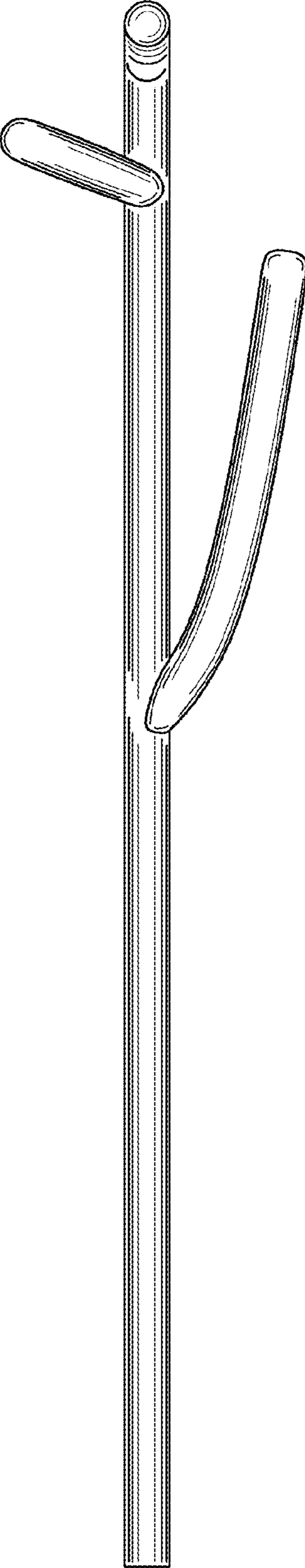


Fig. 6

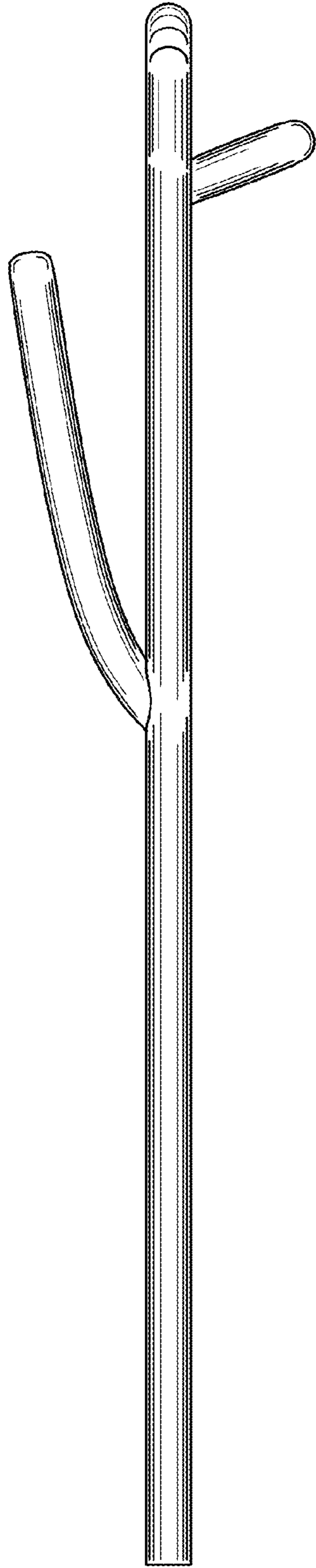


Fig. 7

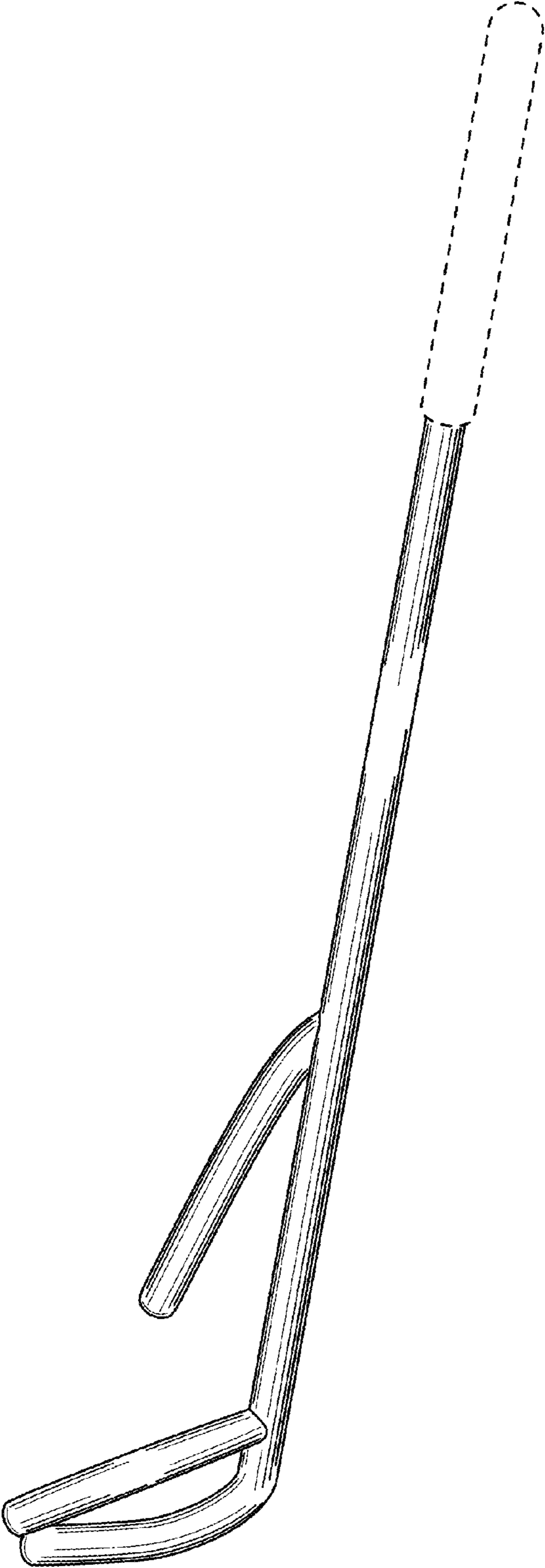


Fig. 8