



US00D702776S

(12) **United States Design Patent**
Norman et al.

(10) **Patent No.:** **US D702,776 S**
(45) **Date of Patent:** **** Apr. 15, 2014**

- (54) **TOY FIGURE**
- (71) Applicant: **Innovation First, Inc.**, Greenville, TX (US)
- (72) Inventors: **David Anthony Norman**, Greenville, TX (US); **Robert H. Mimlitch, III**, Rowlett, TX (US); **Jeffrey Russell Waegelin**, Rockwall, TX (US); **Douglas Michael Galletti**, Allen, TX (US)
- (73) Assignee: **Innovation First, Inc.**, Greenville, TX (US)
- (**) Term: **14 Years**
- (21) Appl. No.: **29/472,097**
- (22) Filed: **Nov. 8, 2013**

Related U.S. Application Data

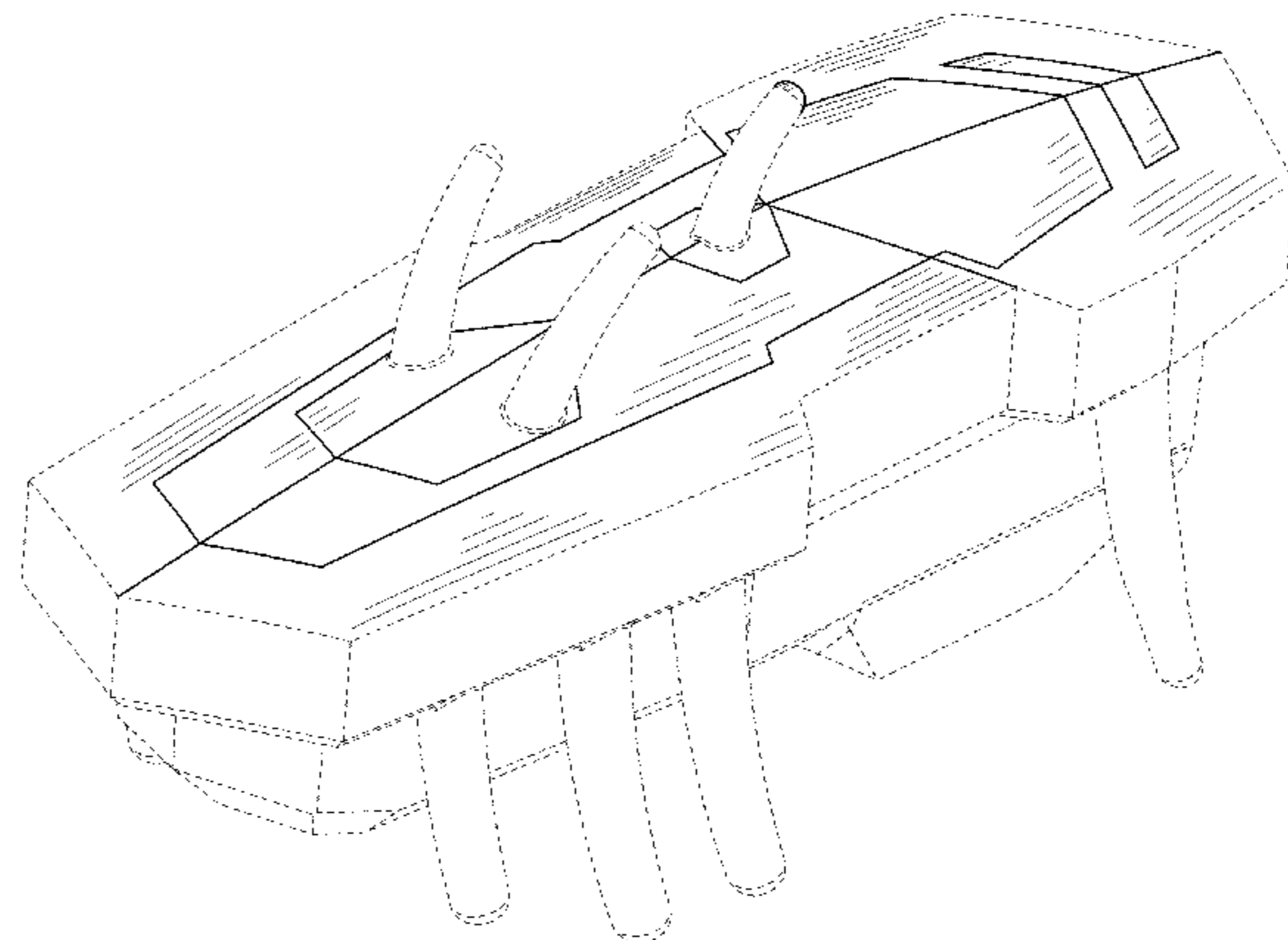
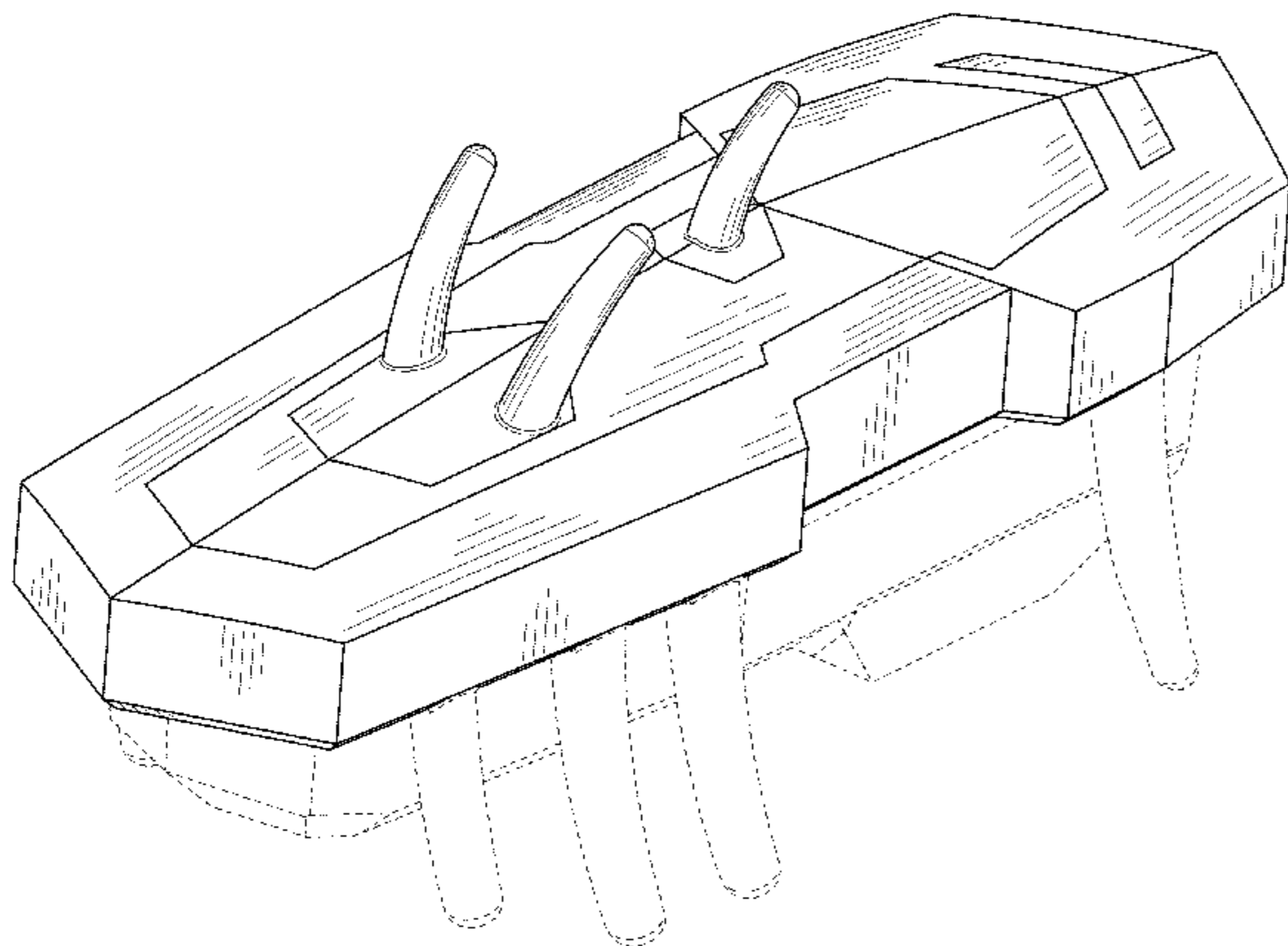
- (62) Division of application No. 29/432,774, filed on Sep. 20, 2012, now Pat. No. Des. 698,395.
- (51) **LOC (10) Cl.** **21-01**
- (52) **U.S. Cl.**
USPC **D21/650; D21/585**
- (58) **Field of Classification Search**
USPC D11/157-158; D21/576, 578-579, D21/584-585, 650; 446/3, 72, 97, 268, 356, 446/368-369, 377, 484
See application file for complete search history.

References Cited

U.S. PATENT DOCUMENTS

- 1,793,121 A 7/1928 Muller
- 1,763,788 A 6/1930 Jobe, Sr.
- 2,167,985 A 8/1939 Levay
- 2,618,888 A 11/1952 Hoff
- 2,827,735 A 3/1958 Grimm
- 2,862,333 A 12/1958 Franco
- 2,919,921 A 1/1960 Berger
- 3,196,580 A 7/1965 Rakestraw
- 3,331,463 A 7/1967 Kramer
- 3,343,793 A 9/1967 Waser

- 3,530,617 A 9/1970 Halvorson et al.
- 3,712,541 A 1/1973 Merino et al.
- 3,841,636 A 10/1974 Meyer
- 3,842,532 A 10/1974 Nielsen
- 3,959,920 A 6/1976 Ieda
- 4,163,558 A 8/1979 Breslow et al.
- 4,183,173 A 1/1980 Ogawa
- 4,219,957 A 9/1980 Kakuta
- 4,291,490 A 9/1981 Ikeda
- 4,496,100 A 1/1985 Schwager et al.
- 4,544,094 A 10/1985 Scholey
- 4,550,910 A 11/1985 Goldfarb et al.
- 4,591,346 A 5/1986 Ikeda
- 4,605,230 A 8/1986 Halford et al.
- D289,070 S * 3/1987 Forbes et al. D21/650
- D289,747 S * 5/1987 Sethares et al. D11/158
- 4,674,949 A 6/1987 Kroczyński
- D291,711 S * 9/1987 Dixon D21/650
- 4,708,690 A 11/1987 Kulesza et al.
- 4,824,415 A 4/1989 Herbstler et al.
- 4,941,857 A 7/1990 Jujimaki
- 5,088,949 A 2/1992 Atkinson et al.
- 5,221,226 A 6/1993 Park
- 5,679,047 A 10/1997 Engel
- 5,947,788 A 9/1999 Derrah
- 5,993,286 A 11/1999 Tacquard et al.
- D421,932 S * 3/2000 Hawkins et al. D11/158
- D427,256 S * 6/2000 Teigiser D21/650
- 6,155,905 A 12/2000 Truax
- 6,199,439 B1 3/2001 Lin
- 6,238,264 B1 5/2001 Kazami et al.
- D456,467 S * 4/2002 Corbett D21/650
- D458,320 S 6/2002 Domingues
- 6,435,929 B1 8/2002 Halford
- 6,450,104 B1 9/2002 Grant et al.
- 6,599,048 B2 7/2003 Kuo
- 6,652,352 B1 11/2003 MacArthur et al.
- 6,681,150 B1 * 1/2004 Haga et al. 446/368
- 6,826,449 B1 11/2004 Abu-Taha
- 6,866,557 B2 3/2005 Randall
- 6,899,589 B1 5/2005 Lund et al.
- 6,964,309 B2 * 11/2005 Quinn et al. 180/8.1
- 6,964,572 B2 11/2005 Cesa
- 7,040,951 B2 5/2006 Hornsby et al.
- D555,213 S * 11/2007 Bowen et al. D21/650
- 7,339,340 B2 3/2008 Summer et al.
- 7,803,031 B1 9/2010 Winckler et al.
- 7,927,170 B2 4/2011 Bickerton et al.
- D645,914 S * 9/2011 Norman et al. D21/650
- D667,512 S * 9/2012 Mimlitch et al. D21/650
- 2001/0024925 A1 9/2001 Domingues
- 2001/0054518 A1 12/2001 Buehler et al.
- 2004/0198159 A1 10/2004 Xu et al.



2005/0112992 A1 5/2005 Malcolm
 2006/0076735 A1 4/2006 Proch et al.
 2007/0087654 A1 4/2007 Chernick et al.
 2008/0061644 A1 3/2008 Treat
 2009/0311941 A1 12/2009 Bickerton et al.

FOREIGN PATENT DOCUMENTS

CN	1054896	8/1991
CN	2820261	9/2006
DE	916935	8/1954
DE	1120958	12/1961
EP	0008676	3/1980
FR	1564711	4/1969
FR	2348723	11/1977
FR	2358174	2/1978
GB	488042	6/1938
GB	1291592	10/1972
GB	1381326	1/1975
GB	1180384	2/1980
GB	1595007	8/1981
GB	2427529	12/2006
JP	146570	6/1989
JP	04030883	2/1992
JP	6343767	12/1994
KR	20070101487	10/2007
WO	2003/015891	12/2003
WO	2003/015981	12/2003
WO	2006-126792	12/2006
WO	2006-136792	12/2006
WO	2011/038280	3/2011
WO	2011/038281	3/2011

OTHER PUBLICATIONS

Office Action dated Jul. 16, 2012 in Australian Application No. 2012201317, 3 pages.
 EPO Office Communicated dated Jul. 23, 2012 in EP Application No. 12163857.1, 5 pages.
 EPO Office Communicated dated Jul. 23, 2012 in EP Application No. 12166840.4, 3 pages.
 Notification of Transmittal of the ISR and the Written Opinion of the ISA, or Declaration (1 page); ISR (4 pages); and Written Opinion of the ISA (5 pages), mailed Jun. 7, 2012 for application PCT/US2012/027914.
 Search Report dated Jul. 4, 2012 in EP Application No. 12163857.1, 3 pages.
 Office Action dated Aug. 3, 2012 in Chinese Application No. 201080001431.X, 18 pages.
 Greenberg Taurig Letter dated Aug. 10, 2012 (2 pages).
Innovation First, Inc., and Innovation First Labs, Inc. v. Toy Investment, Inc. d/b/a/ Toysmith, and McManemim Companies, Civil Action No. 3:12-CV-02091-M, Answer to Complaint, Filed Aug. 20, 2012 (7 pages).
Innovation First, Inc., and Innovation First Labs, Inc. v. Toy Investment, Inc. d/b/a/ Toysmith, and McManemim Companies, Civil Action No. 3:12-CV-02091-M, Plaintiffs' Complaint for Patent Infringement, Filed Jun. 29, 2012 (45 pages).
 Davis Wright Tremaine LLP Letter dated Aug. 1, 2012 (3 pages).
<http://www.klutz.com/Invasion-of-the-Bristlebots>, [online] Invasion of the Bristlebots, 8 pages, retrieved Oct. 20, 2010.
<http://www.streettech.com/modules>, [online] Hot-To: Build Beam Vibrobots, Street Tech, Hardware beyond the hype, 7 pages, retrieved Oct. 20, 2010.
<http://www.evilmadscientist.com/article.php/bristlebot>, [online] Bristlebot: A tiny directional vibrobot—Evil Mad Scientist Laboratories, 21 pages, retrieved Oct. 20, 2010.
<http://themombuzz.com/2009/12/11/stocking-stuffer-nascar-zipbot-race-set>, [online] Stocking Stuffer: Nascar Zipbot Race Set: The Mom Buzz, 10 pages, retrieved Oct. 20, 2010.
http://blog.makezine.com/archive/2008/04/rc_bristlebot.html, [online] RC Bristlebot, Aug. 30, 2010.
 Publisher Klutz Lives Up to Its Name: "Bristlebots," Scholastic, and Evil Mad Scientist Lab <http://boingboing.net/2009/02/20/publisher-klutz-live.html>, Xenia Jardin at 9:06 am, Feb. 20, 2009.

Vibrobot, "Make a Twitchy, Bug-Like Robot with a Toy Motor and a Mint Tin" http://makezine.com/10/123_vibrobot/, 2007.
 Vibrobot, Hot To—Make a Bristlebot a Tiny Directional Vibrobot Made From a Toothbrush! http://blog.makezine.com/archive/2007/12/how_to_make_a_bristlebot.html, 2007.
 BotJunkie, DIY Vibrobots, <http://www.botjunkie.com/2007/12/20/diy-vibrobots/>, 2007.
 Notification of Transmittal of the ISR and the Written Opinion of the ISA, or Declaration (1 page); ISR (2 pages); and Written Opinion of the ISA (29 pages), mailed Nov. 22, 2010 for application 050238.
 Office Action dated Oct. 28, 2010 in Australian Application No. 2010224405.
<http://www.evilmadscientist.com/article.php/bristlebot>, Oskay, Dec. 19, 2007.
<http://www.youtube.com/watch?v=h6jowo3OxAQ>, Innovation First, Sep. 18, 2009.
 Notification of Transmittal of the ISR and the Written Opinion of the ISA, or Declaration (1 page); ISR (4 pages); and Written Opinion of the ISA (6 pages), mailed Feb. 14, 2011 for application PCT/US2010/050261.
 Notification of Transmittal of the ISR and the Written Opinion of the ISA, or Declaration (1 page); ISR (4 pages); and Written Opinion of the ISA (6 pages), mailed Feb. 15, 2011 for application PCT/US2010/050265.
 Notification of Transmittal of the ISR and the Written Opinion of the ISA, or Declaration (1 page); ISR (4 pages); and Written Opinion of the ISA (6 pages), mailed Feb. 3, 2011 for application PCT/US2010/050258.
 Notification of Transmittal of the ISR and the Written Opinion of the ISA, or Declaration (1 page); ISR (4 pages); and Written Opinion of the ISA (7 pages), mailed Feb. 3, 2011 for application PCT/US2010/050281.
 Notification of Transmittal of the ISR and the Written Opinion of the ISA, or Declaration (1 page); ISR (4 pages); and Written Opinion of the ISA (6 pages), mailed Feb. 3, 2011 for application PCT/US2010/050266.
 Notification of Transmittal of the ISR and the Written Opinion of the ISA, or Declaration (1 page); ISR (4 pages); and Written Opinion of the ISA (5 pages), mailed Jan. 26, 2011 for application PCT/US2010/050256.
 EPO Search Report dated Jan. 27, 2011 in related EP Application No. 10179680.3, 3 pages.
 EPO Communication dated Feb. 10, 2011 in related EP Application No. 10179680.3, 5 pages.
 EPO Search Report dated Feb. 3, 2011 in related EP Application No. 10179686.0, 3 pages.
 EPO Search Report dated Feb. 3, 2011 in related EP Application No. 10179694.4, 3 pages.
 EPO Search Report dated Feb. 3, 2011 in related EP Application No. 10179701.7, 3 pages.
 EPO Search Report dated Feb. 3, 2011 in related EP Application No. 10179706.6, 3 pages.
 EPO Search Report dated Feb. 15, 2011 in related EP Application No. 10179707.4, 3 pages.
 EPO Communication dated Mar. 31, 2011 in related EP Application No. 10179686.0, 5 pages.
 EPO Communication dated Mar. 31, 2011 in related EP Application No. 10179694.4, 5 pages.
 EPO Communication dated Mar. 31, 2011 in related EP Application No. 10179701.7, 5 pages.
 EPO Communication dated Mar. 31, 2011 in related EP Application No. 10179706.6, 4 pages.
 Notification of Transmittal of the ISR and the Written Opinion of the ISA, or Declaration (1 page); ISR (7 pages); and Written Opinion of the ISA (10 pages), mailed Mar. 25, 2011 for application PCT/US2010/050257.
 German Search Report dated Sep. 20, 2011 in related German Application No. 102010046513.5, 5 pages.
 German Search Report dated Sep. 20, 2011 in related German Application No. 102010046511.9, 5 pages.
 German Search Report dated Sep. 20, 2011 in related German Application No. 102010046509.7, 5 pages.

German Search Report dated Sep. 20, 2011 in related German Application No. 102010046440.6, 5 pages.
 German Search Report dated Sep. 20, 2011 in related German Application No. 102010046510.0, 5 pages.
 German Search Report dated Sep. 20, 2011 in related German Application No. 102010046441.4, 5 pages.
 Publisher Klutz Lives Up to Its Name: “Bristlebots,” Scholastic, and Evil Mad Scientist Lab <http://boingboing.net/2009/02/20/publisher-klutz-live.html>, Xenia Jardin at 9:06 am, Feb. 20, 2009.
 Vibrobot, “Make a Twitchy, Bug-Like Robot with a Toy Motor and a Mint Tin” http://makezine.com/10/123_vibrobot/, 2007.
 Notification of Transmittal of the ISR and the Written Opinion of the ISA, or Declaration (1 page); ISR (4 page); and Written Opinion of the ISA (7 pages), mailed Feb. 3, 2011 for application PCT/US2010/050281.

* cited by examiner

Primary Examiner — Sandra Morris
 (74) *Attorney, Agent, or Firm* — Adam K. Sacharoff

(57) **CLAIM**

The ornamental design for a toy figure, as shown and described.

DESCRIPTION

FIG. 1 is a front-top perspective view showing a first embodiment of a toy figure;
 FIG. 2 is a right side view of FIG. 1;
 FIG. 3 is a left side view of FIG. 1;
 FIG. 4 is a front side view of FIG. 1;
 FIG. 5 is a rear side view of FIG. 1;
 FIG. 6 is a top side view of FIG. 1;
 FIG. 7 is a bottom side view of FIG. 1;
 FIG. 8 is a front-top perspective view showing a second embodiment of a toy figure;
 FIG. 9 is a right side view of FIG. 8;
 FIG. 10 is a left side view of FIG. 8;
 FIG. 11 is a front side view of FIG. 8;
 FIG. 12 is a rear side view of FIG. 8;

FIG. 13 is a top side view of FIG. 8;
 FIG. 14 is a bottom side view of FIG. 8;
 FIG. 15 is a front-top perspective view showing a third embodiment of a toy figure;
 FIG. 16 is a right side view of FIG. 15;
 FIG. 17 is a left side view of FIG. 15;
 FIG. 18 is a front side view of FIG. 15;
 FIG. 19 is a rear side view of FIG. 15;
 FIG. 20 is a top side view of FIG. 15;
 FIG. 21 is a bottom side view of FIG. 15;
 FIG. 22 is a front-top perspective view showing a fourth embodiment of a toy figure;
 FIG. 23 is a right side view of FIG. 22;
 FIG. 24 is a left side view of FIG. 22;
 FIG. 25 is a front side view of FIG. 22;
 FIG. 26 is a rear side view of FIG. 22;
 FIG. 27 is a top side view of FIG. 22;
 FIG. 28 is a bottom side view of FIG. 22;
 FIG. 29 is a front-top perspective view showing a fifth embodiment of a toy figure;
 FIG. 30 is a right side view of FIG. 29;
 FIG. 31 is a left side view of FIG. 29;
 FIG. 32 is a front side view of FIG. 29;
 FIG. 33 is a rear side view of FIG. 29;
 FIG. 34 is a top side view of FIG. 29;
 FIG. 35 is a bottom side view of FIG. 29;
 FIG. 36 is a front-top perspective view showing a sixth embodiment of a toy figure;
 FIG. 37 is a right side view of FIG. 36;
 FIG. 38 is a left side view of FIG. 36;
 FIG. 39 is a front side view of FIG. 36;
 FIG. 40 is a rear side view of FIG. 36;
 FIG. 41 is a top side view of FIGS. 36; and,
 FIG. 42 is a bottom side view of FIG. 36.

The broken lines represent are for environmental purposes only and form no part of the claimed embodiments and design.

1 Claim, 36 Drawing Sheets

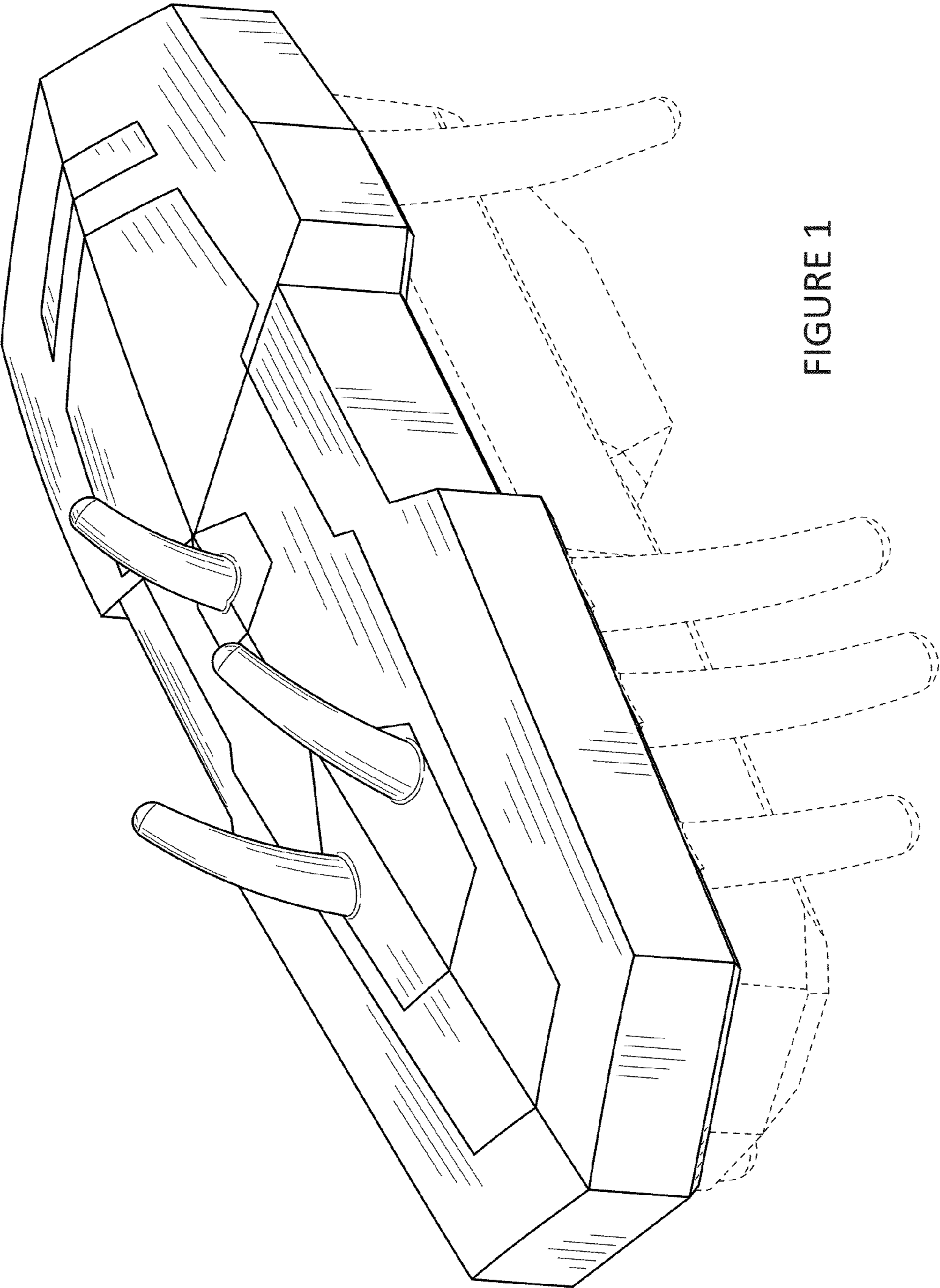


FIGURE 1

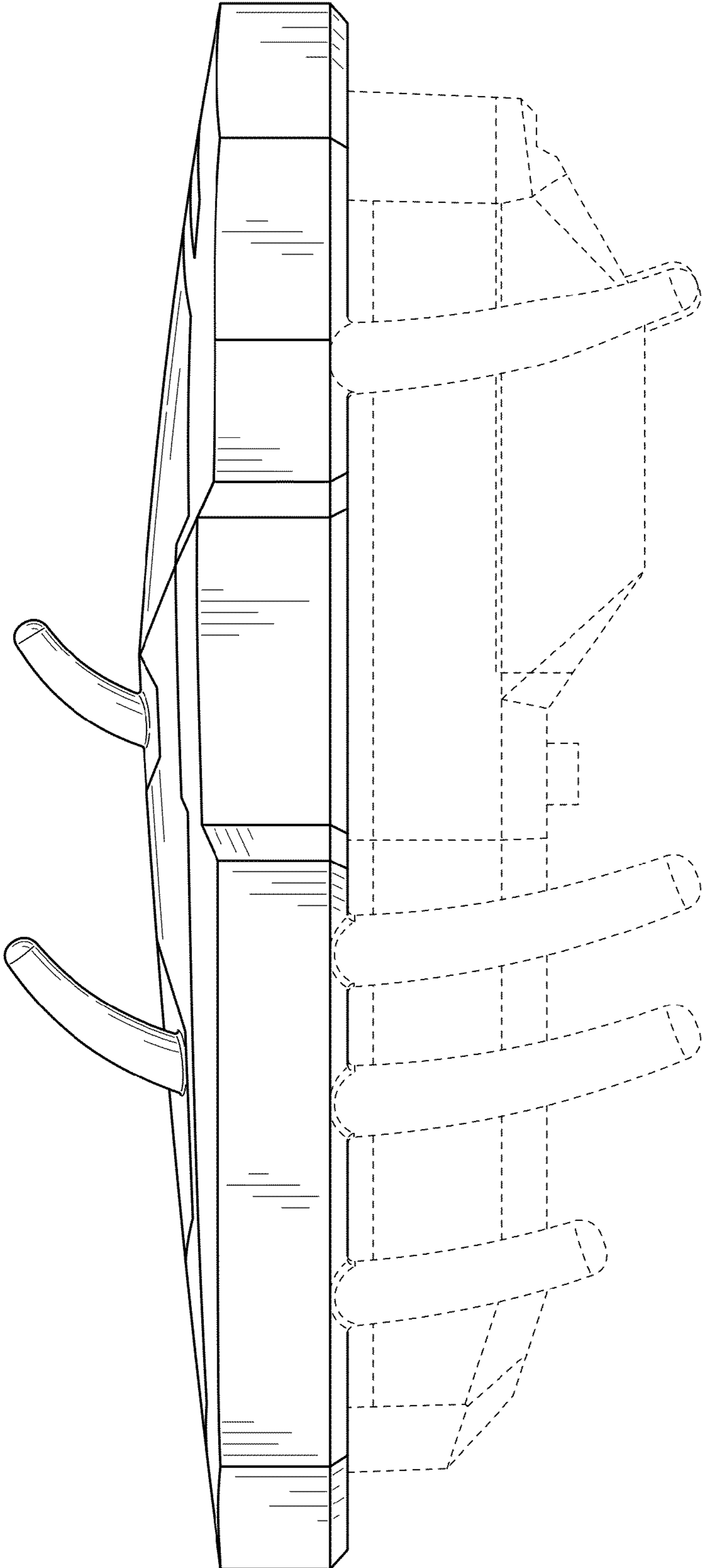


FIGURE 2

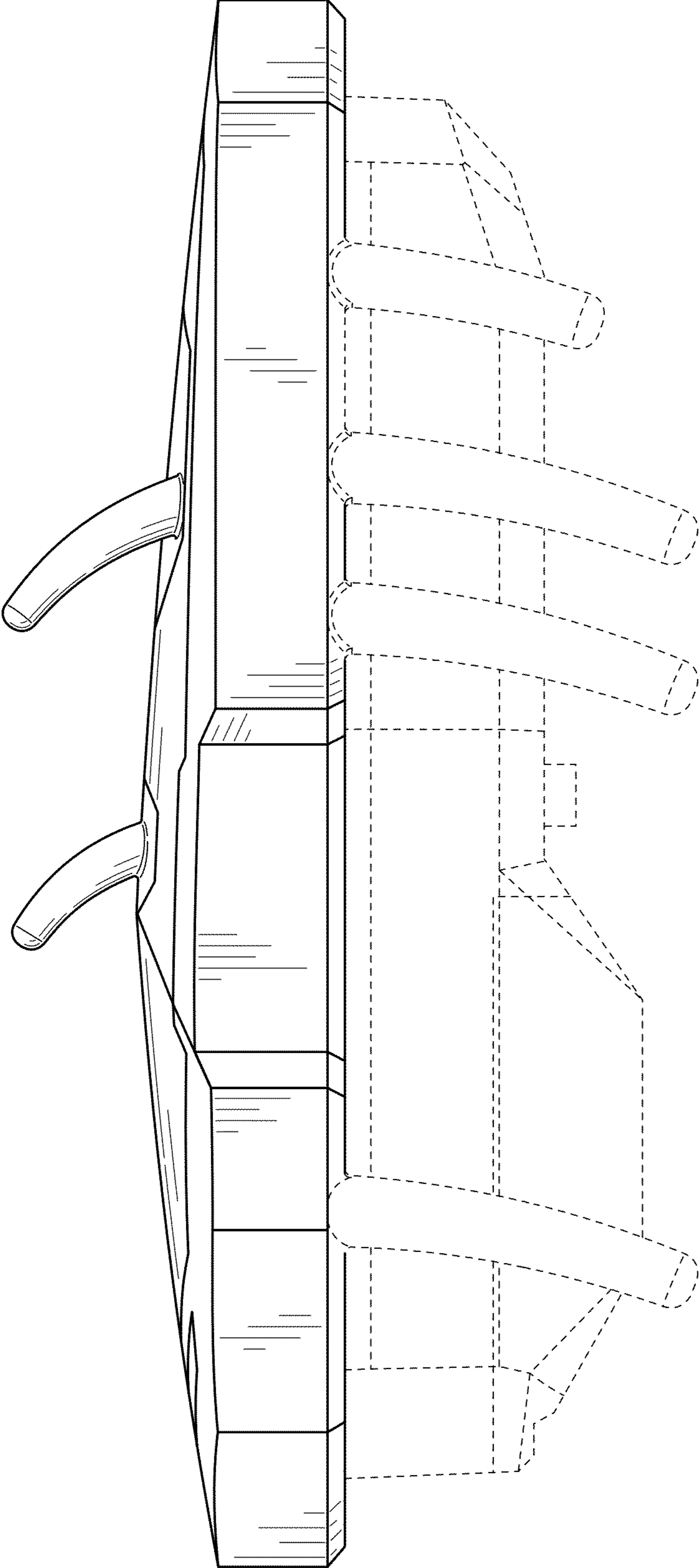


FIGURE 3

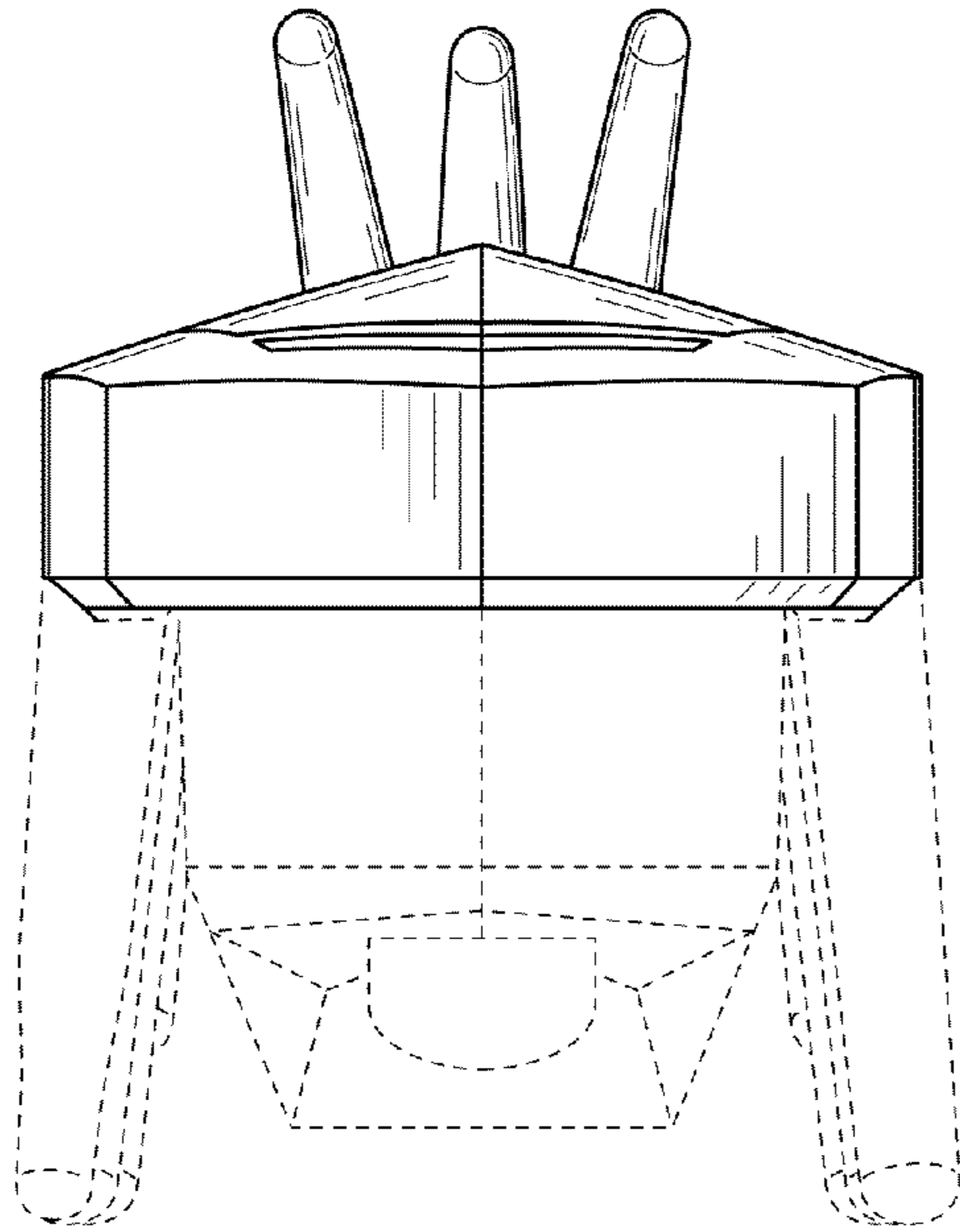


FIGURE 4

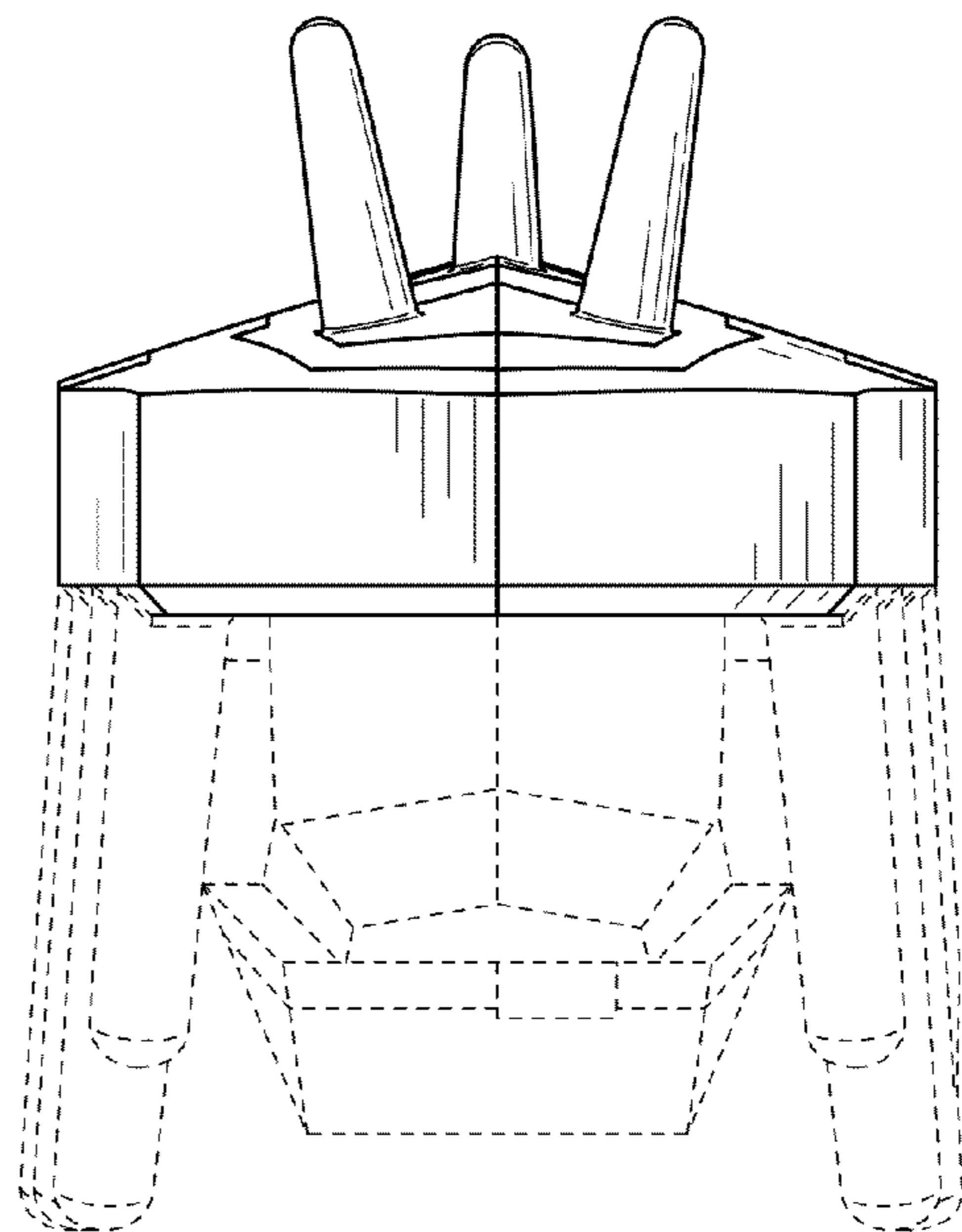


FIGURE 5

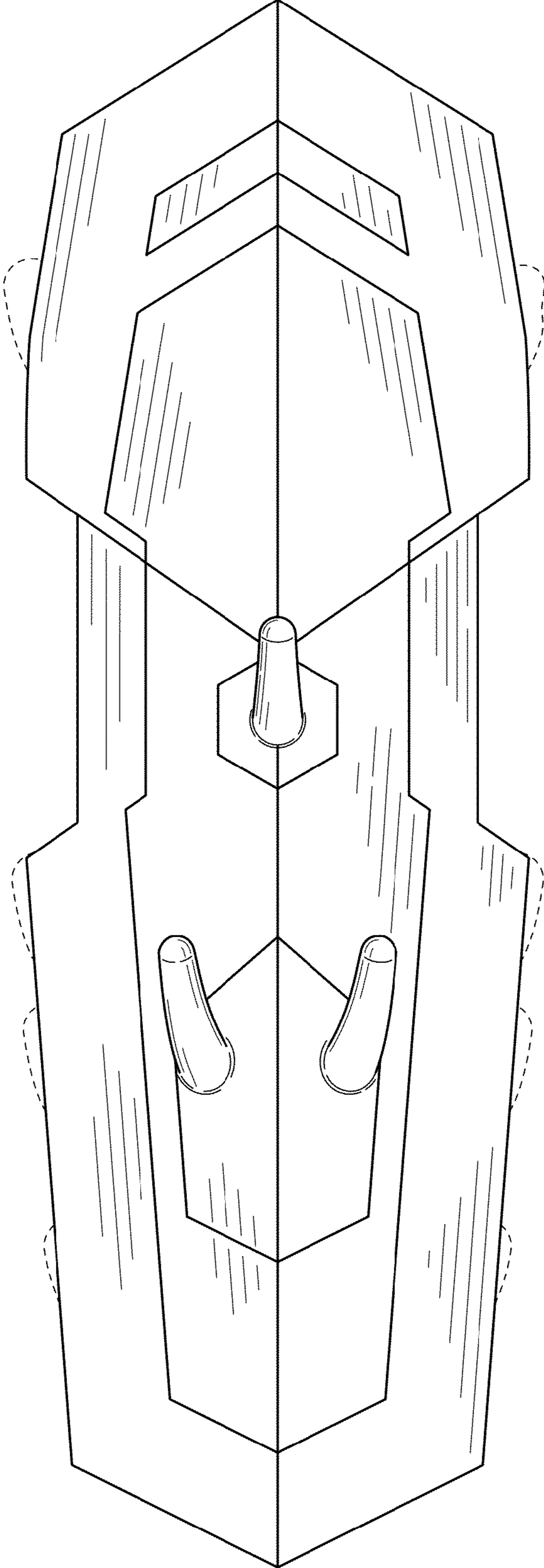


FIGURE 6

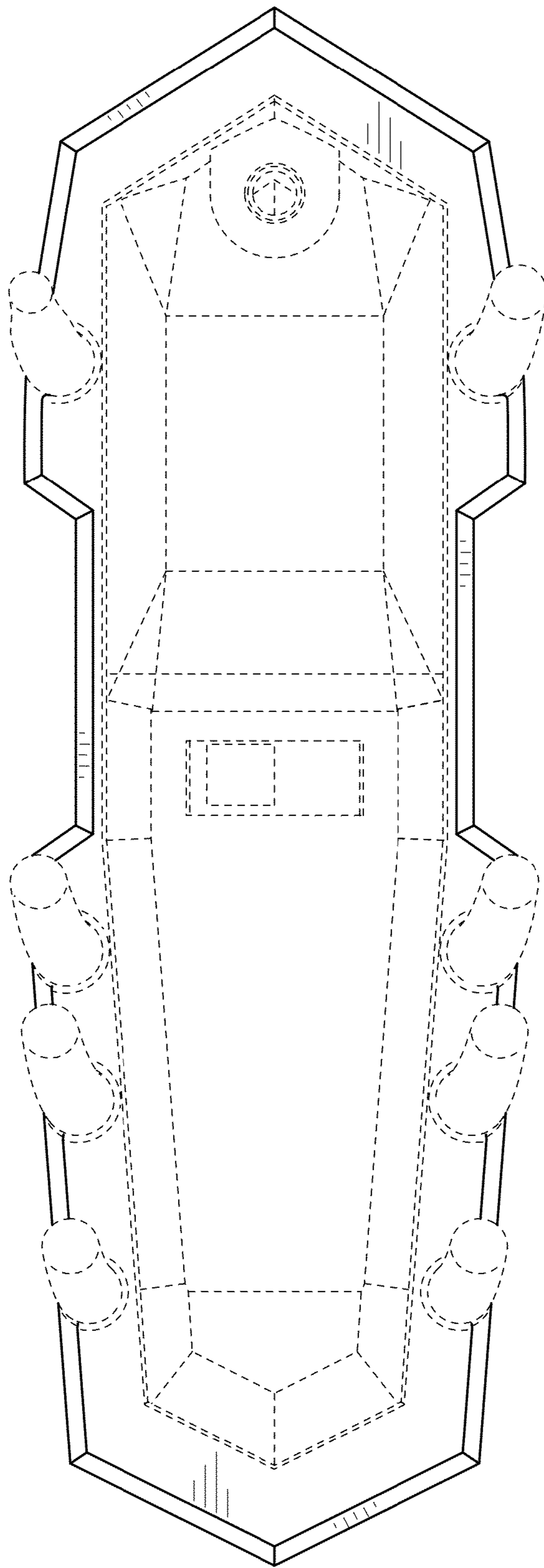


FIGURE 7

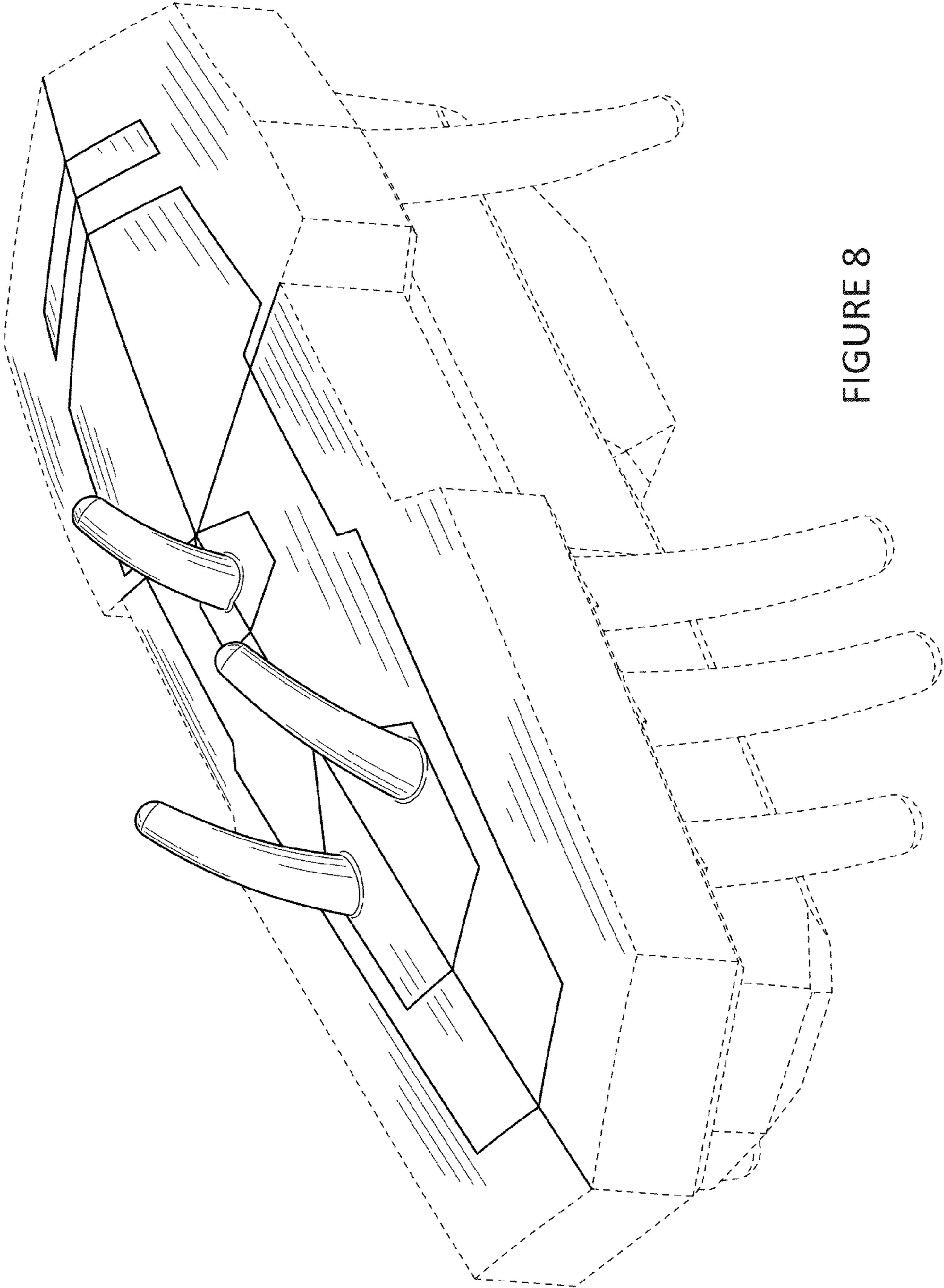


FIGURE 8

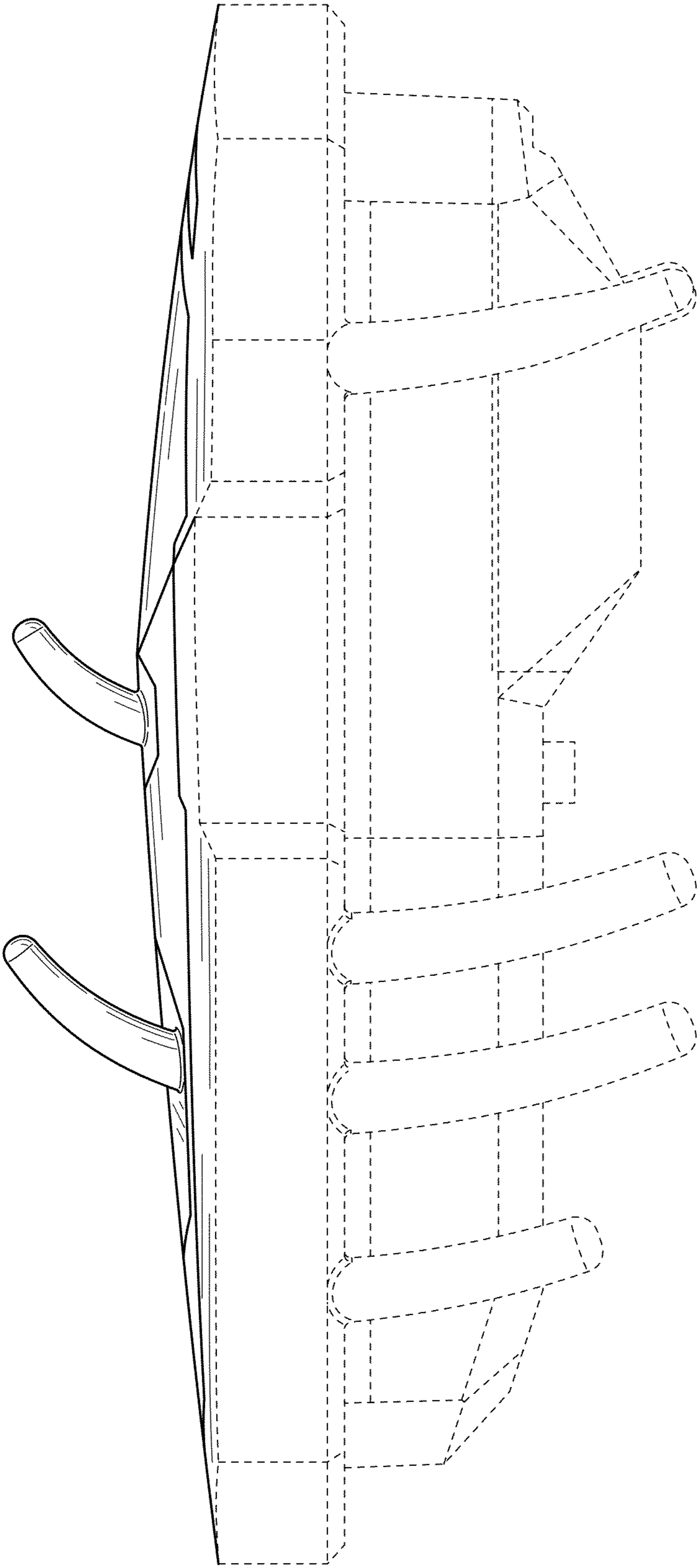


FIGURE 9

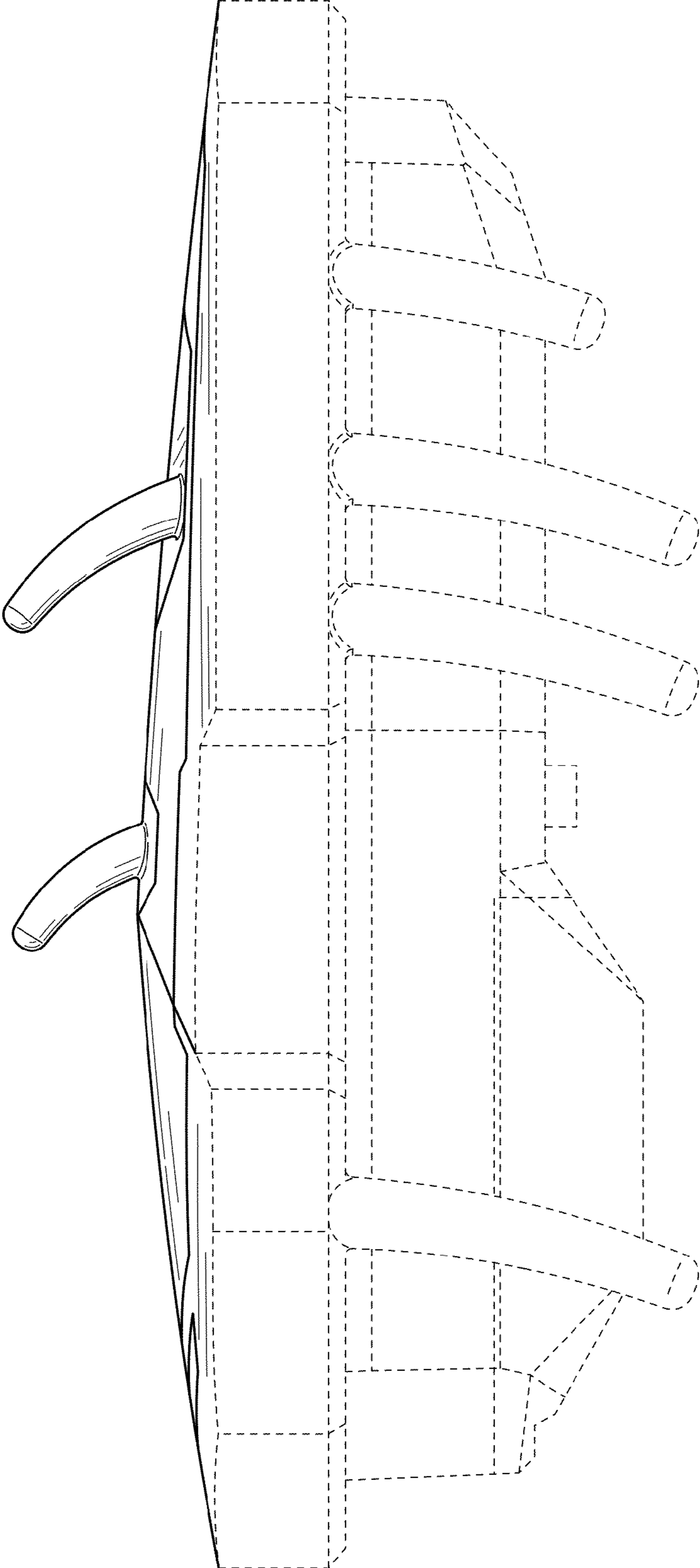


FIGURE 10

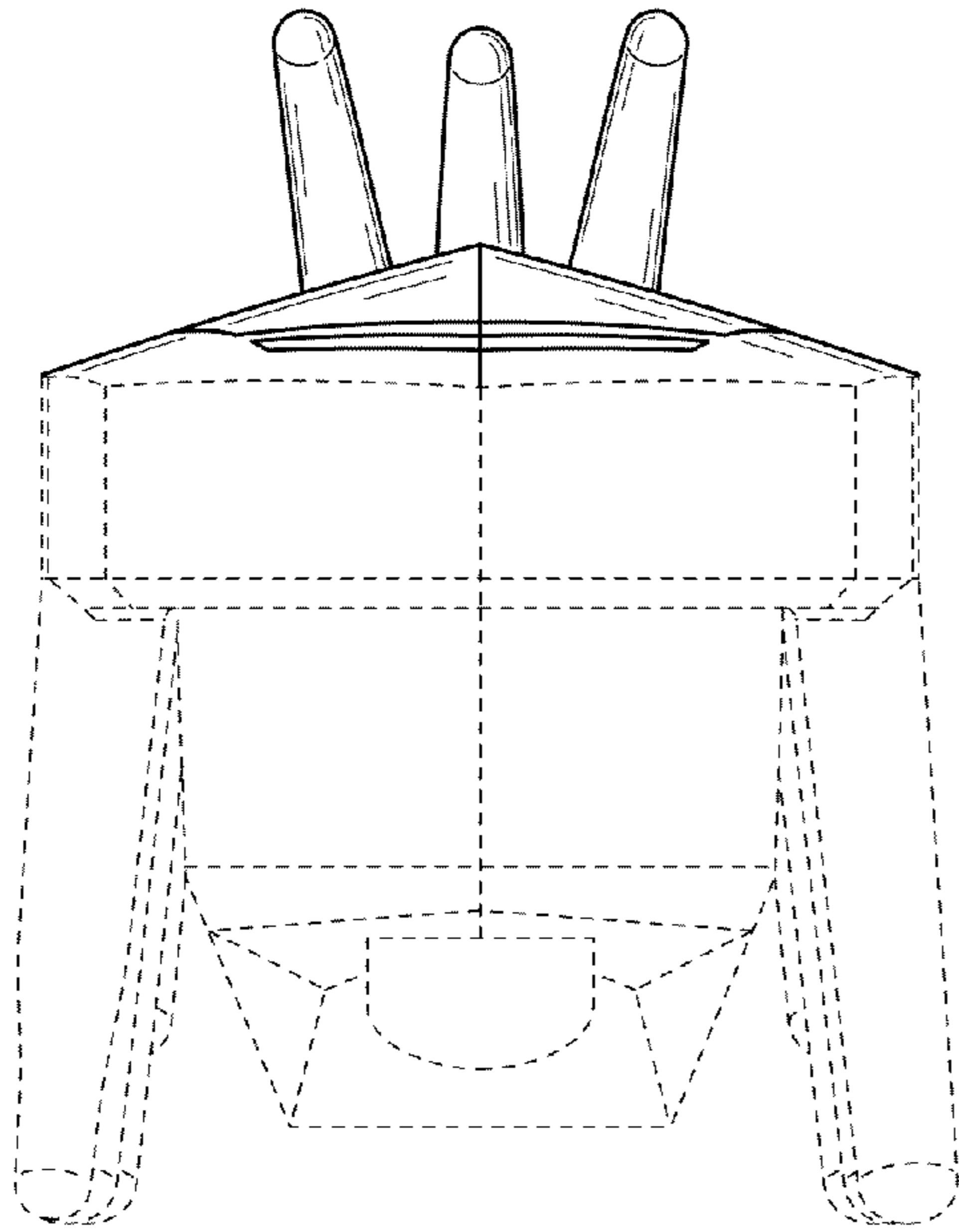


FIGURE 11

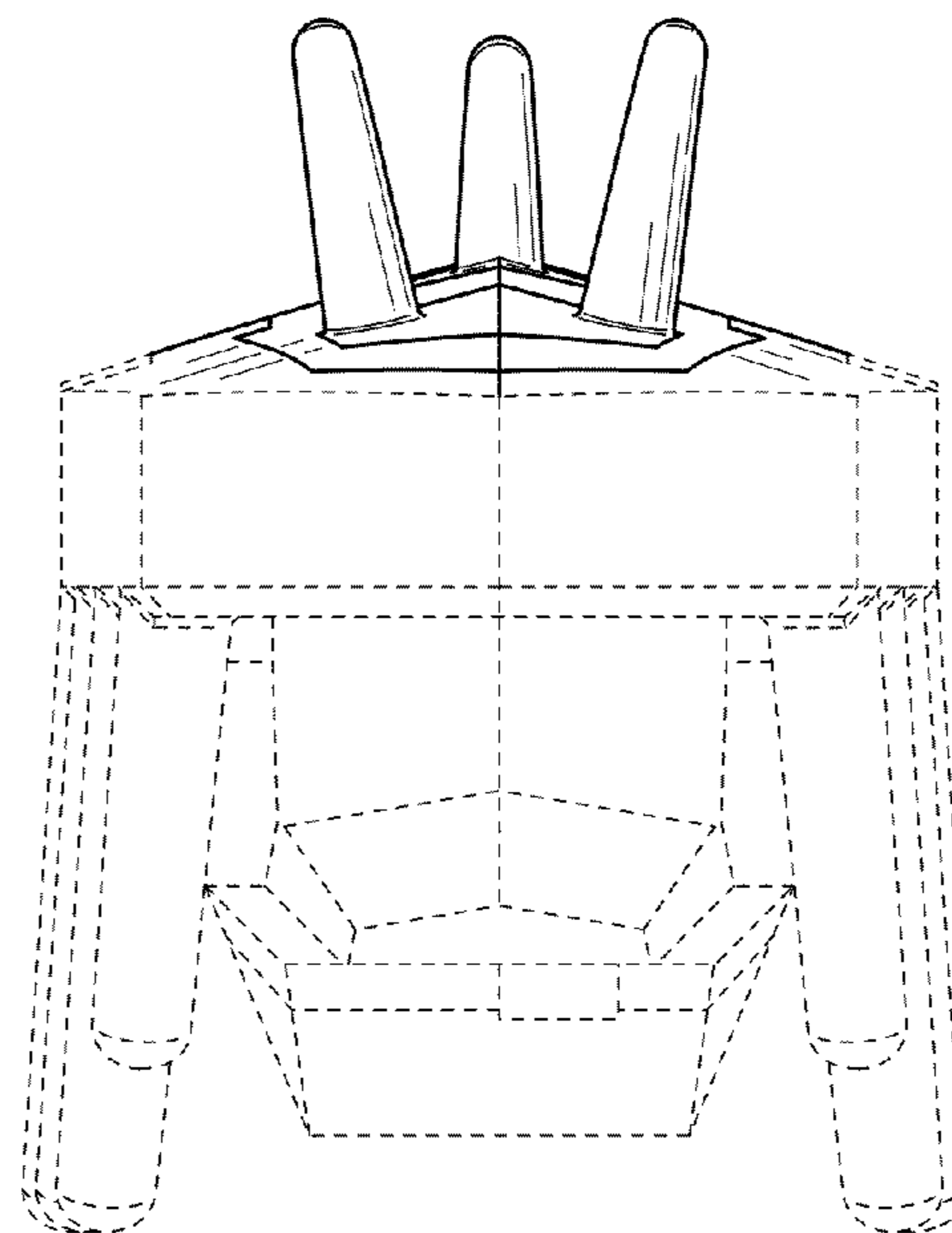


FIGURE 12

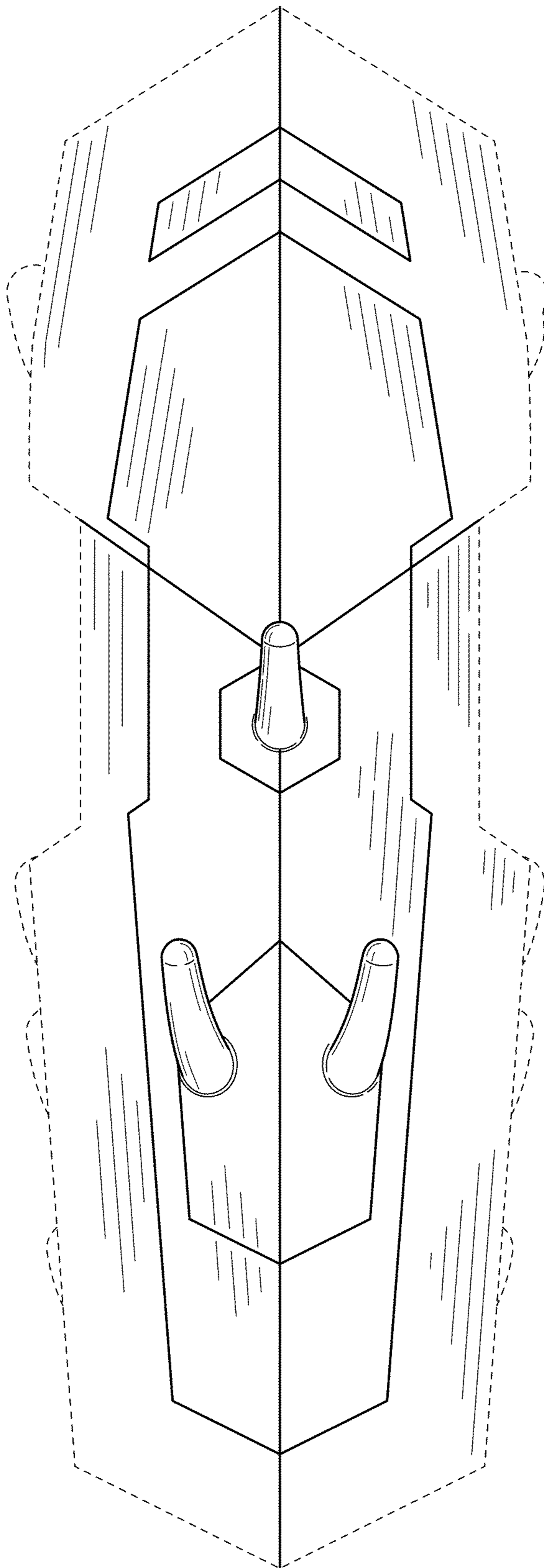


FIGURE 13

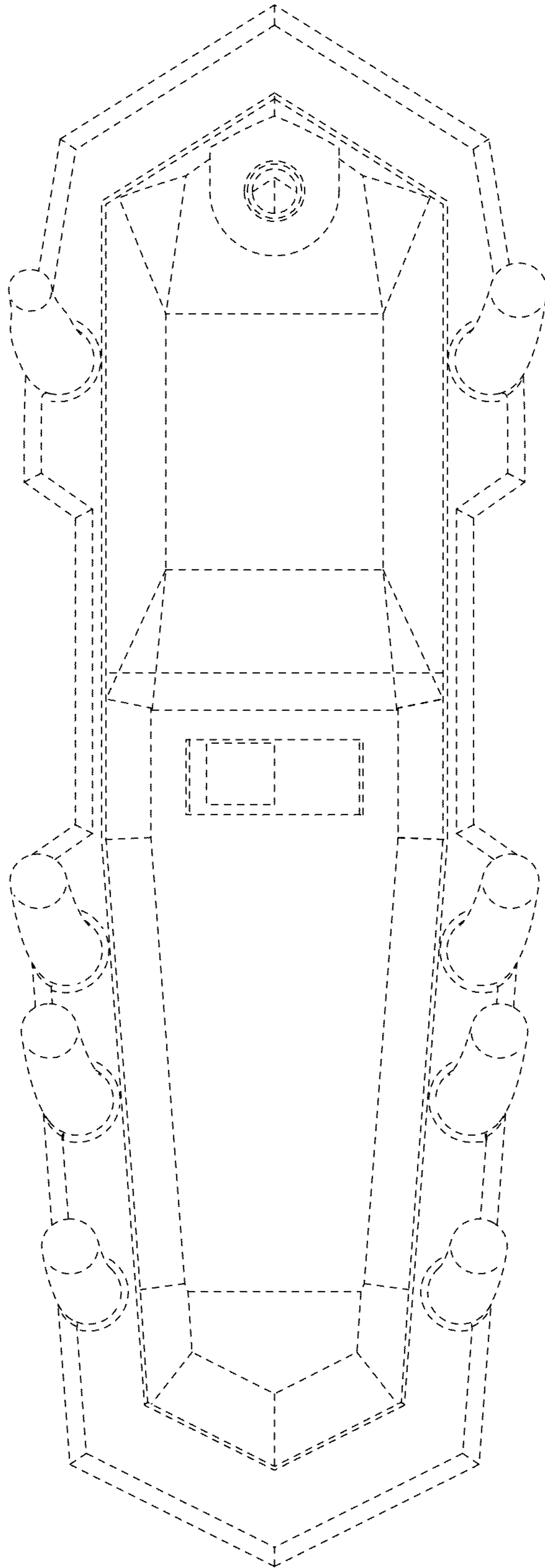


FIGURE 14

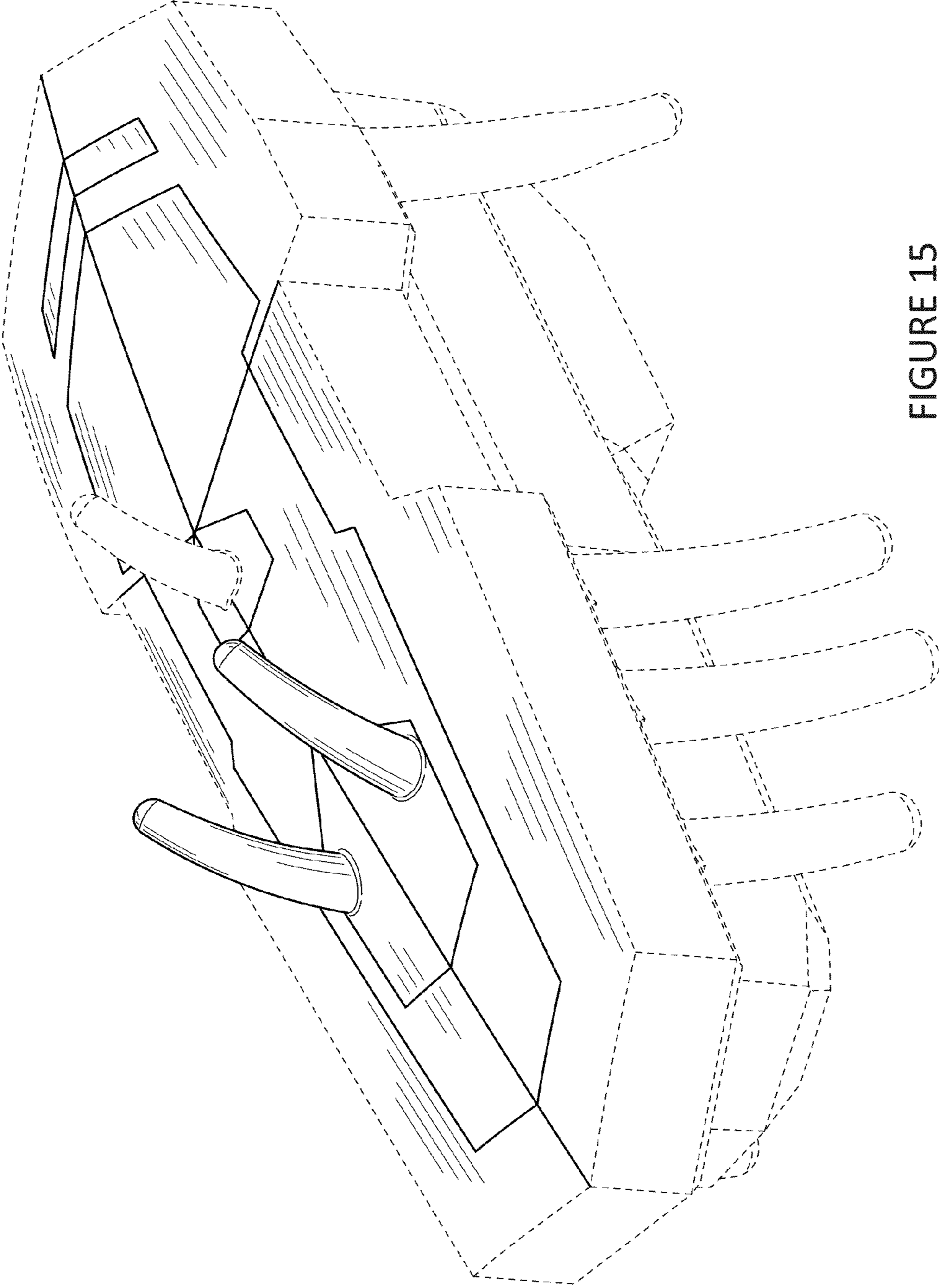


FIGURE 15

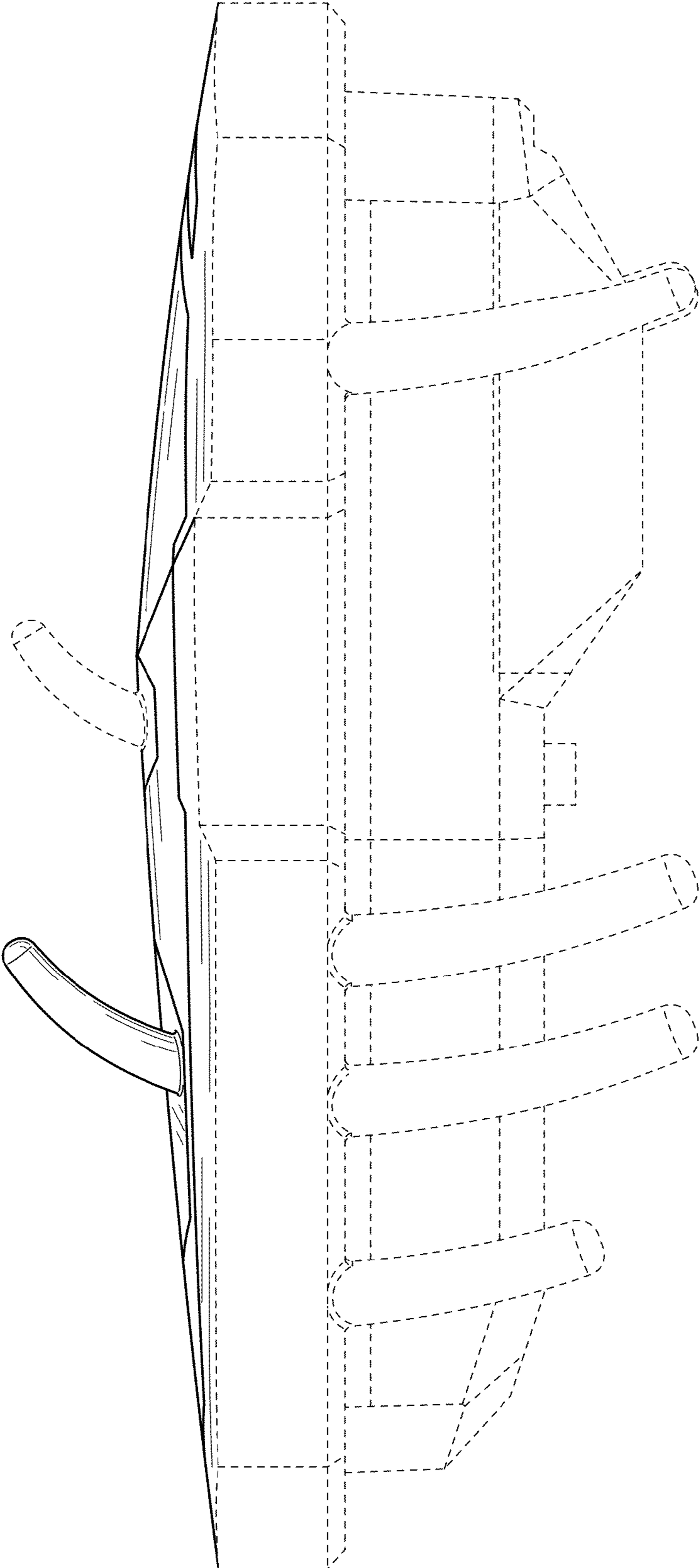


FIGURE 16

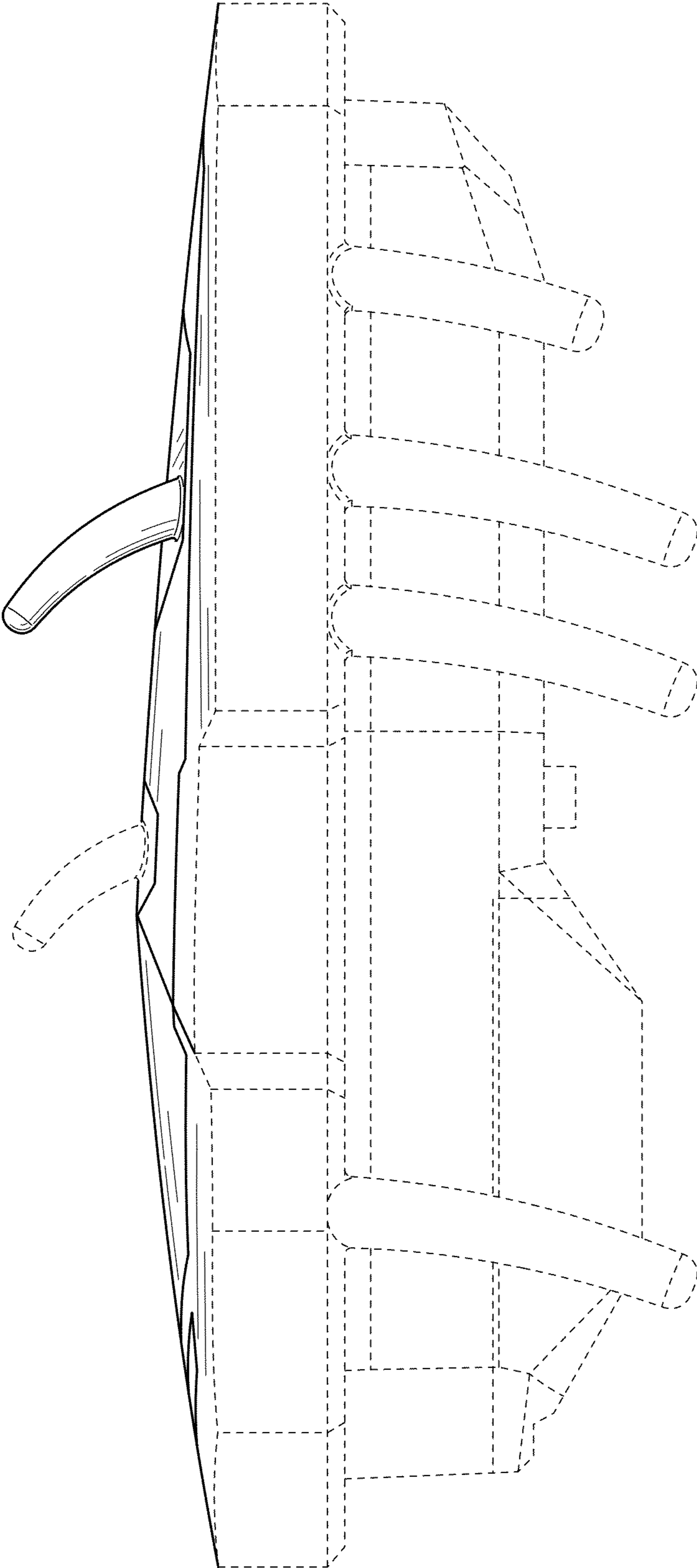


FIGURE 17

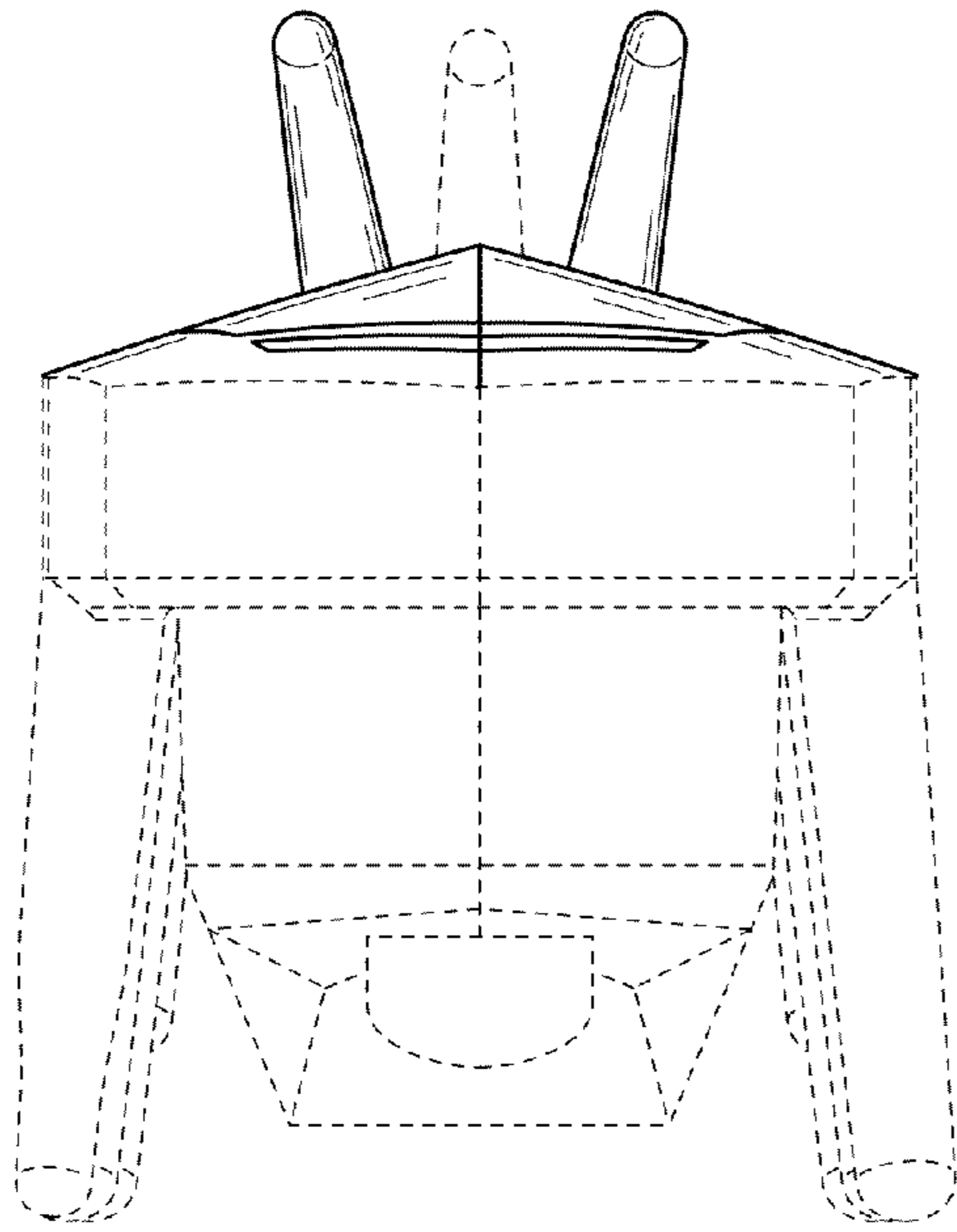


FIGURE 18

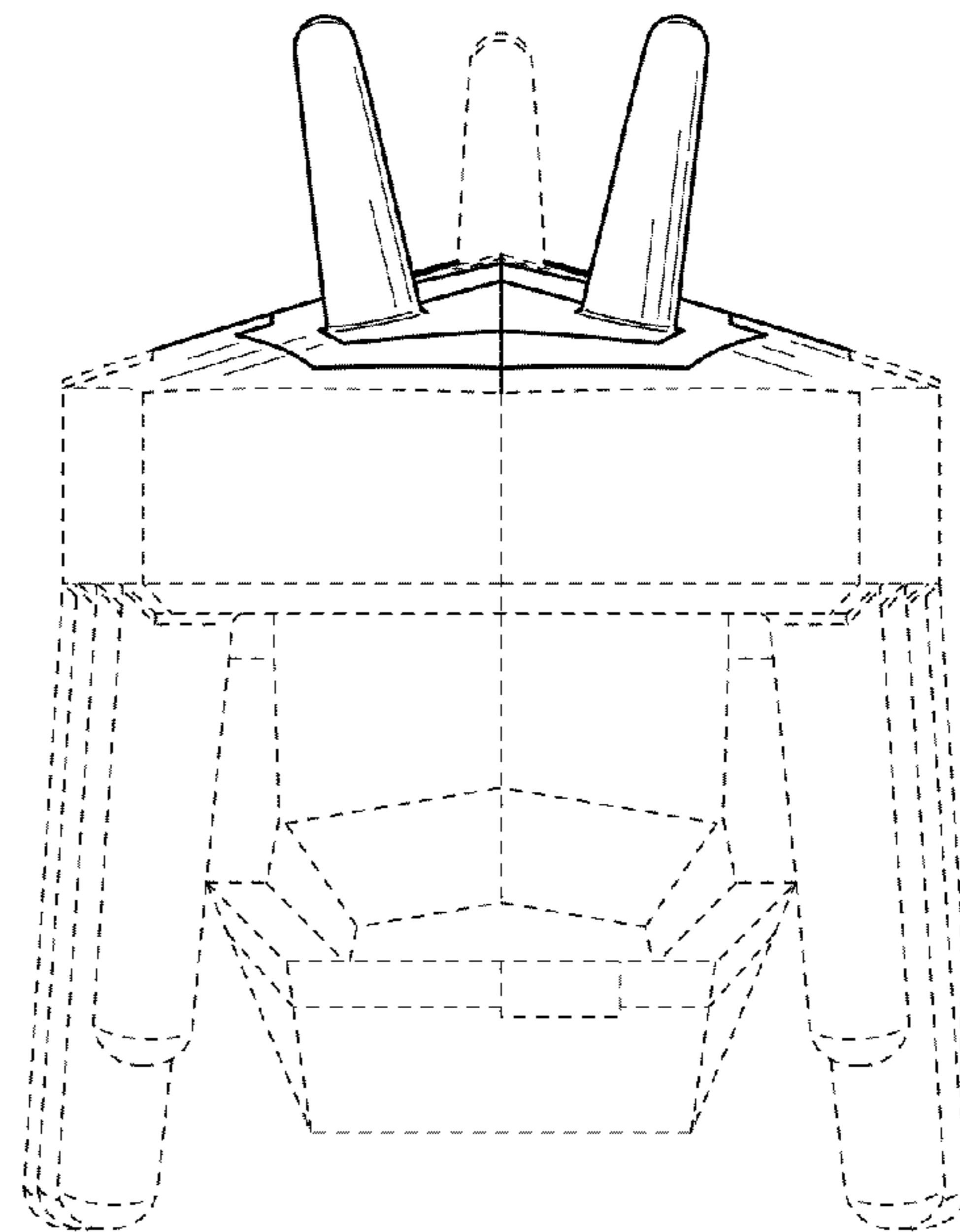


FIGURE 19

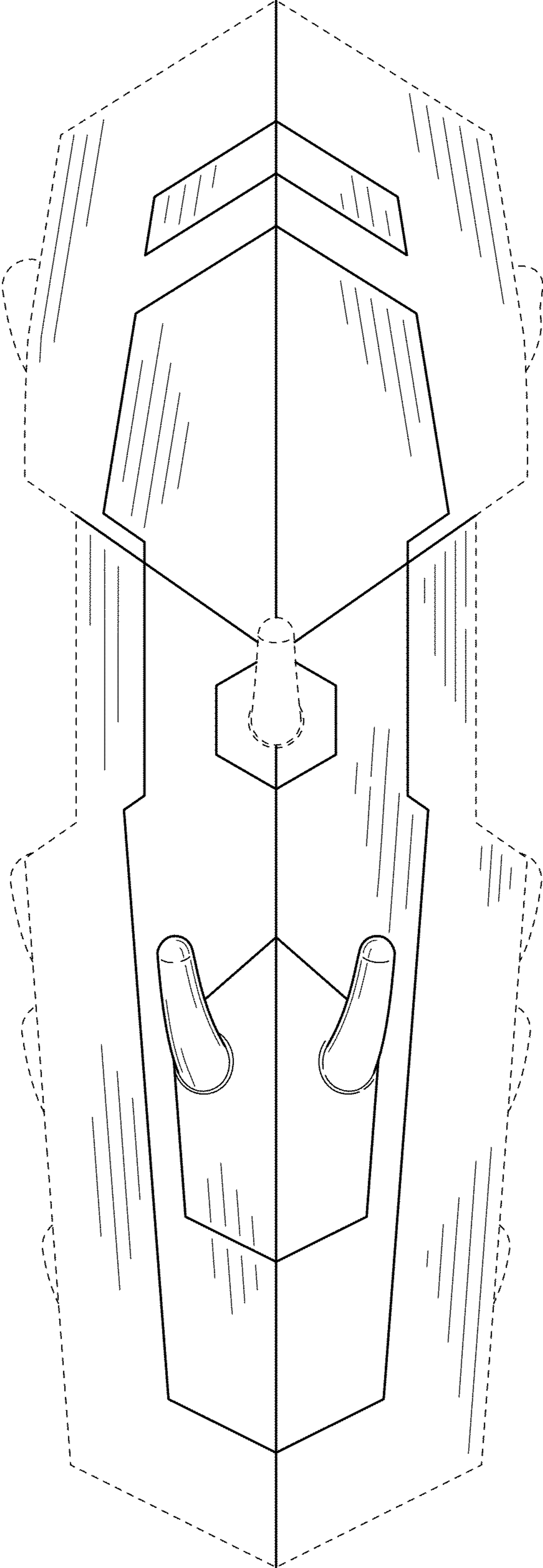


FIGURE 20

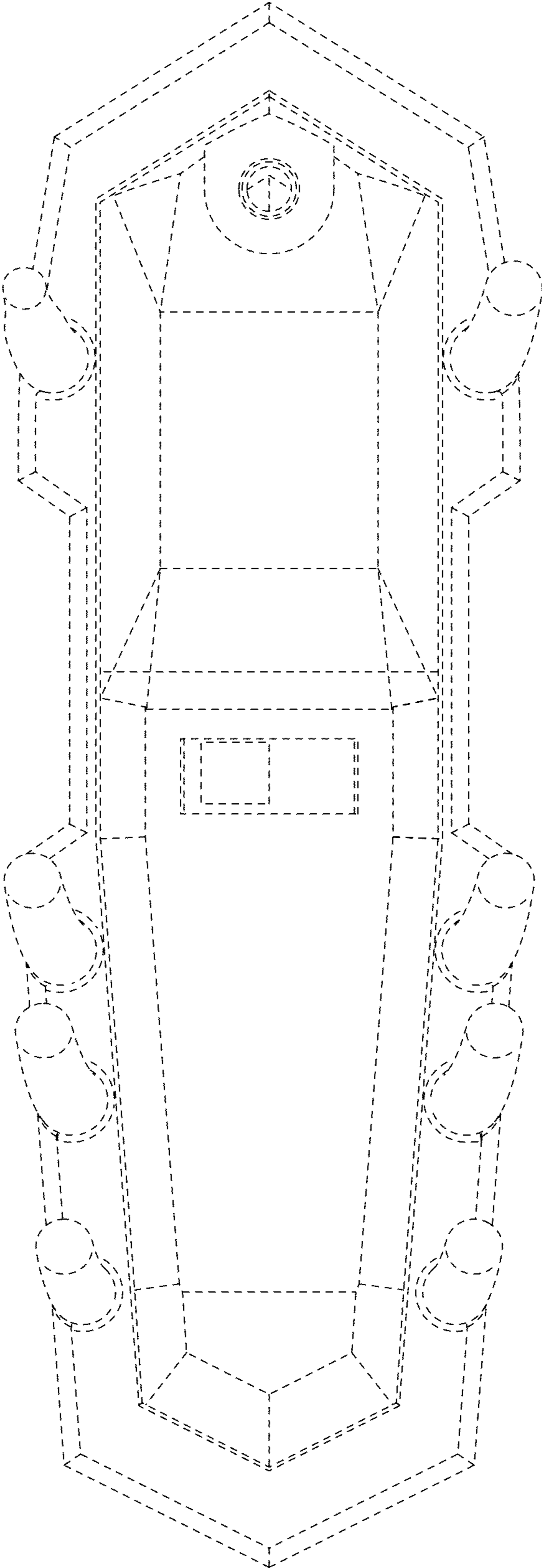


FIGURE 21

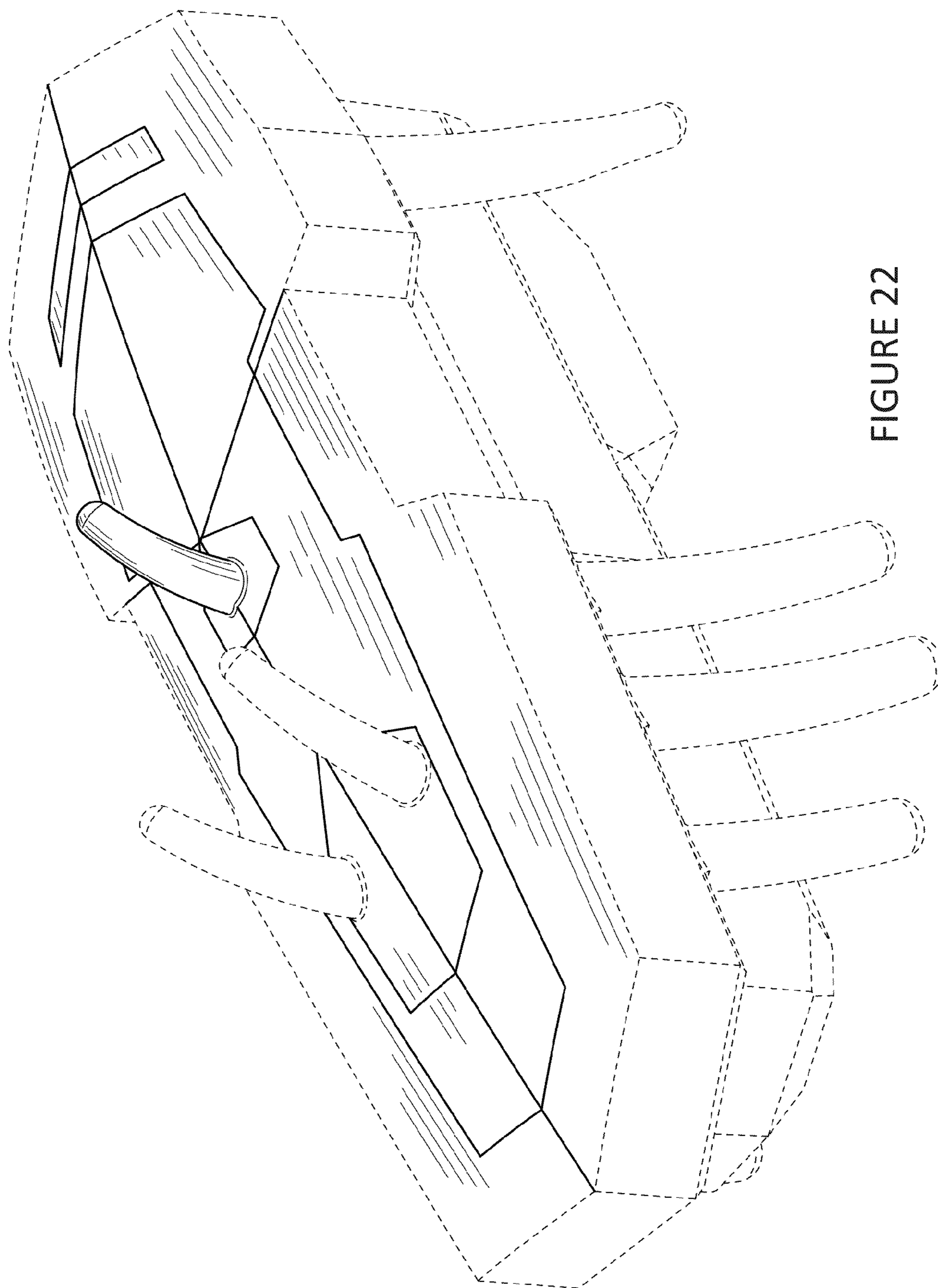


FIGURE 22

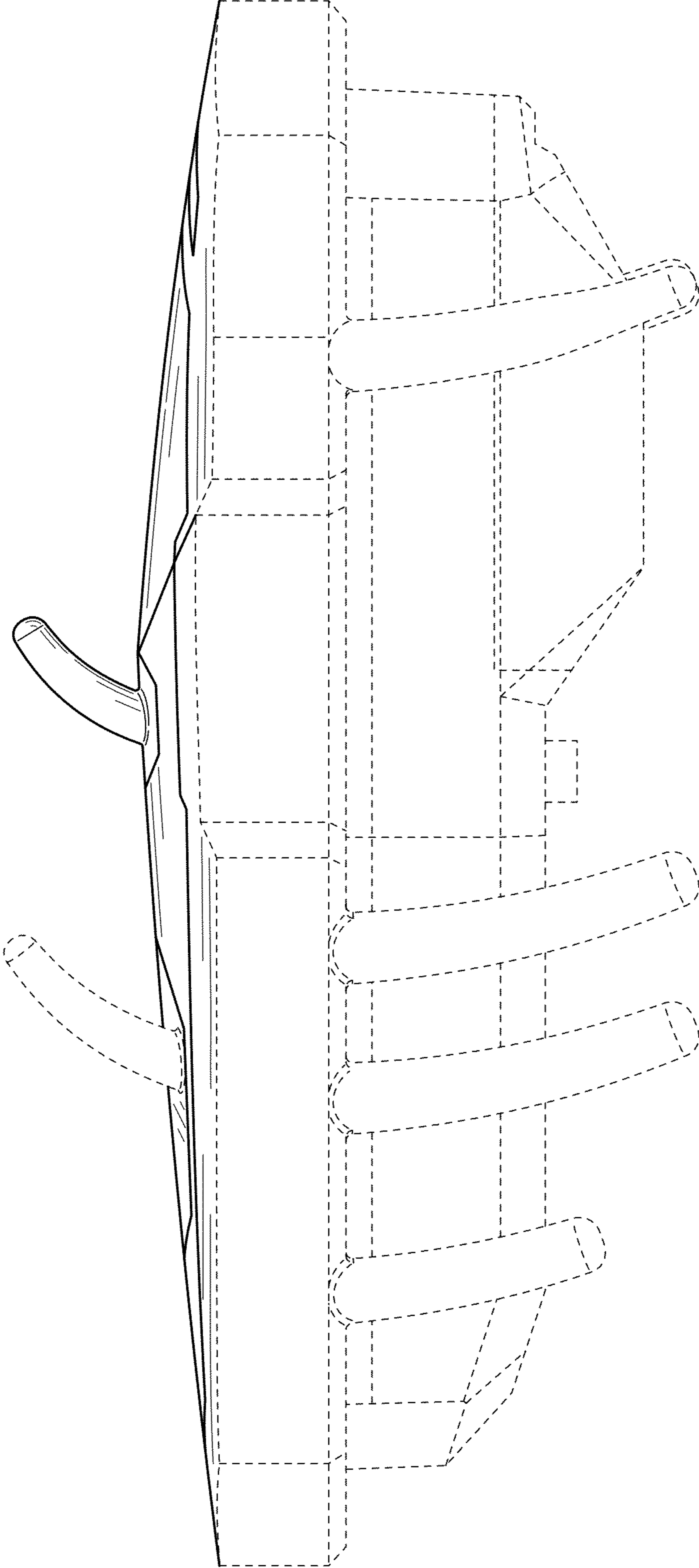


FIGURE 23

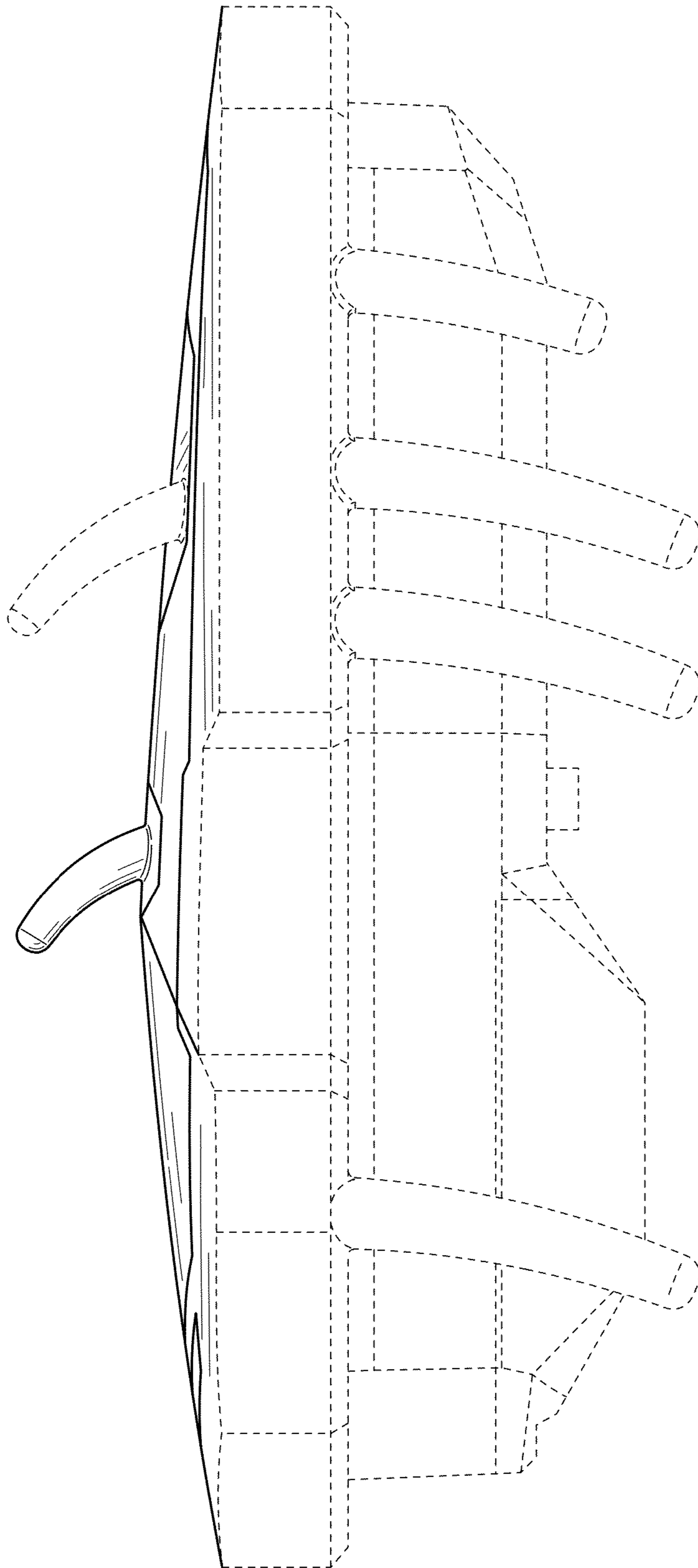


FIGURE 24

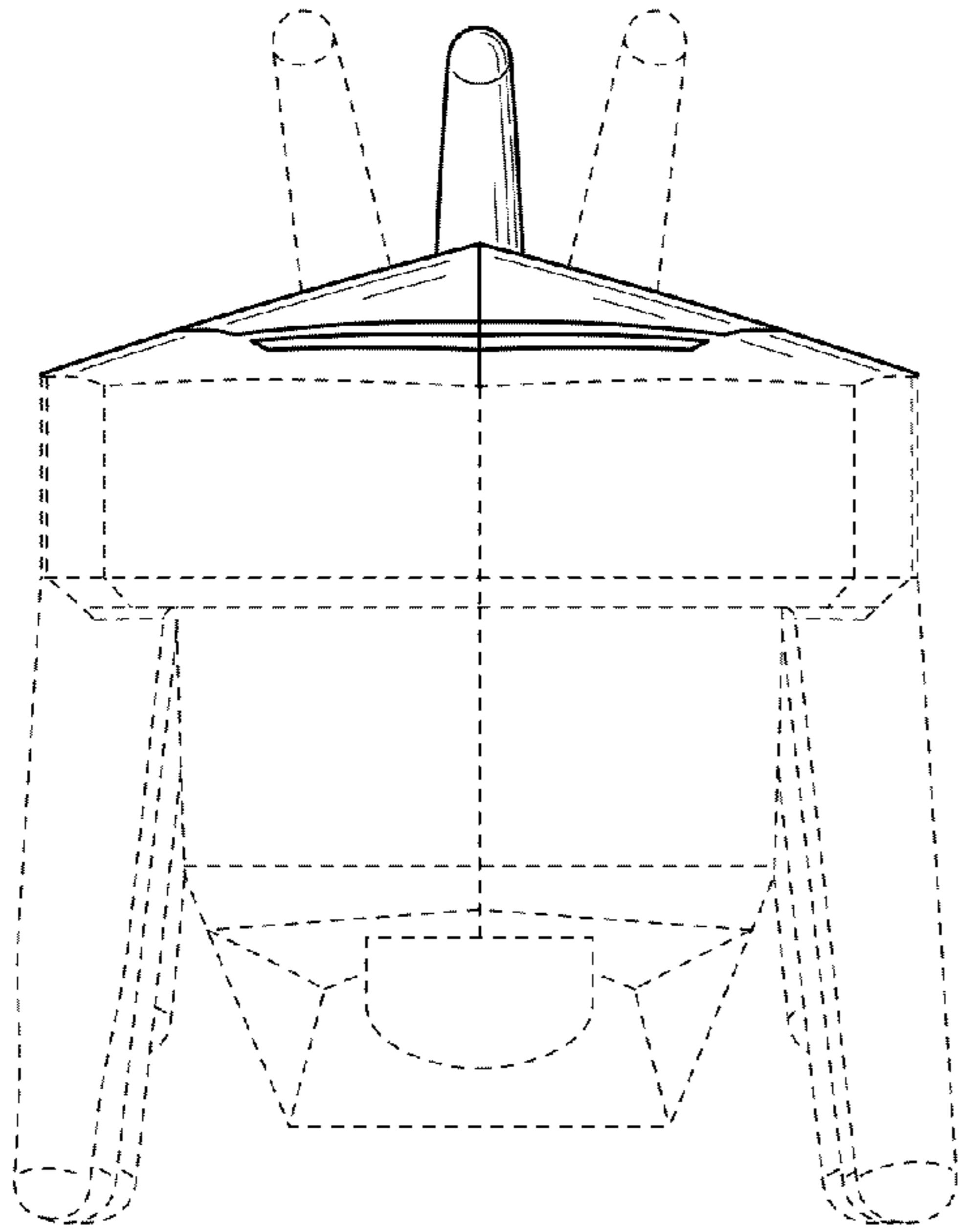


FIGURE 25

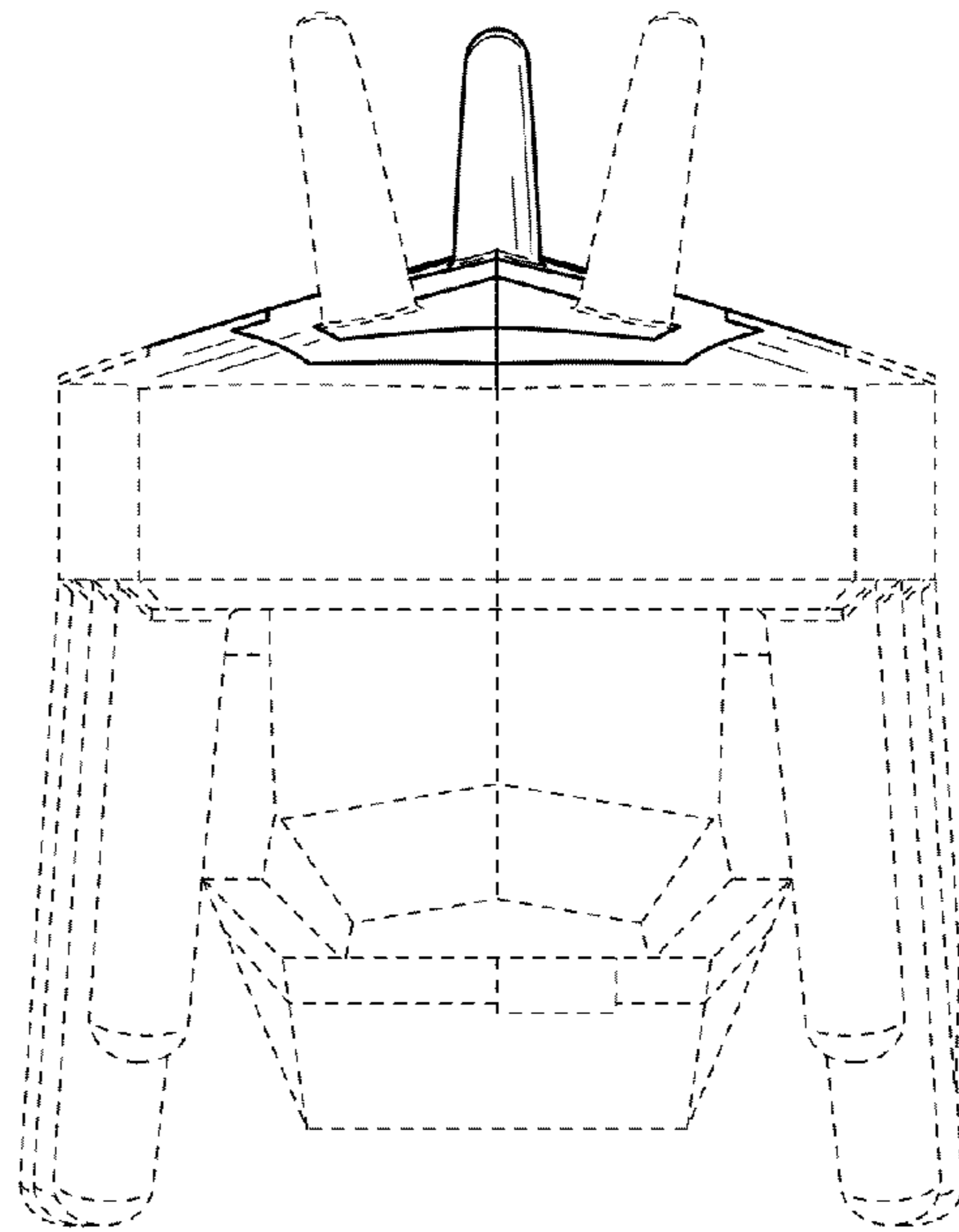


FIGURE 26

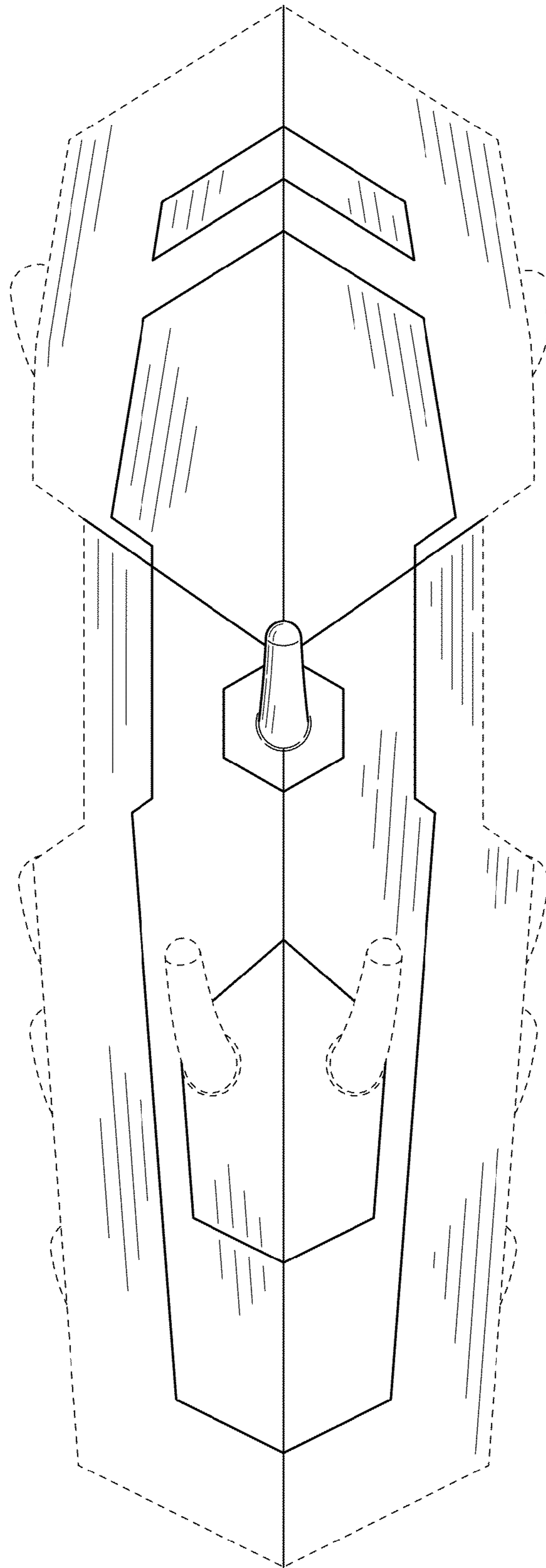


FIGURE 27

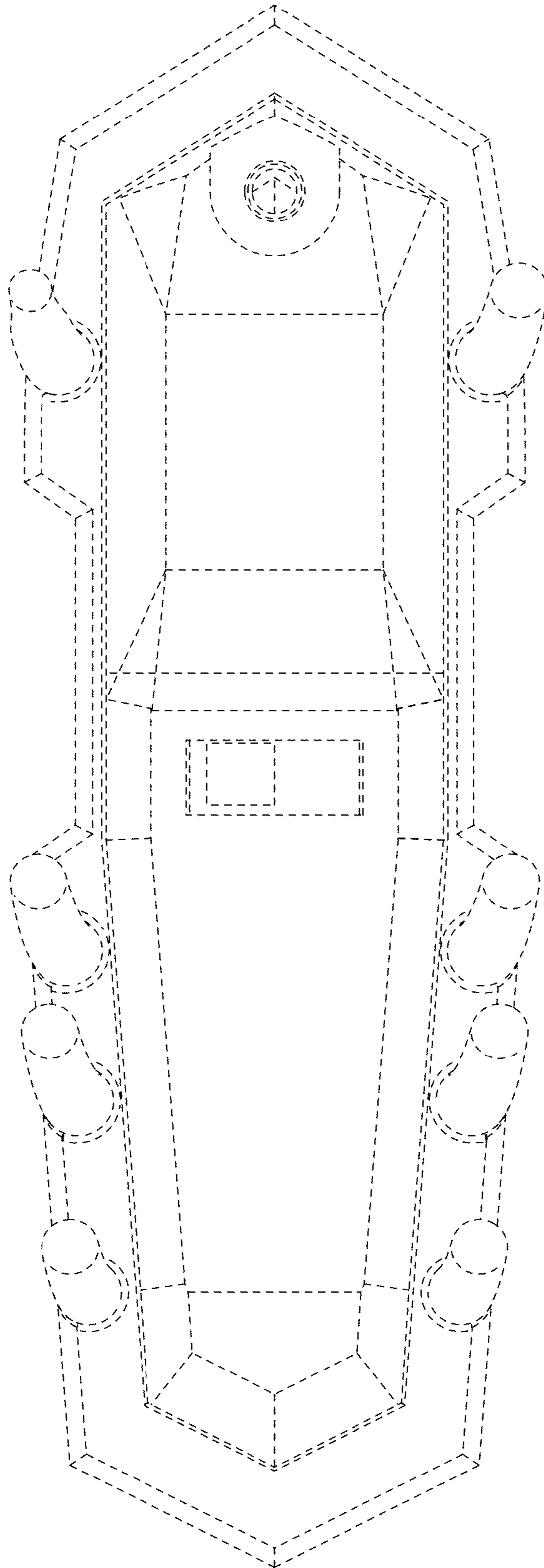


FIGURE 28

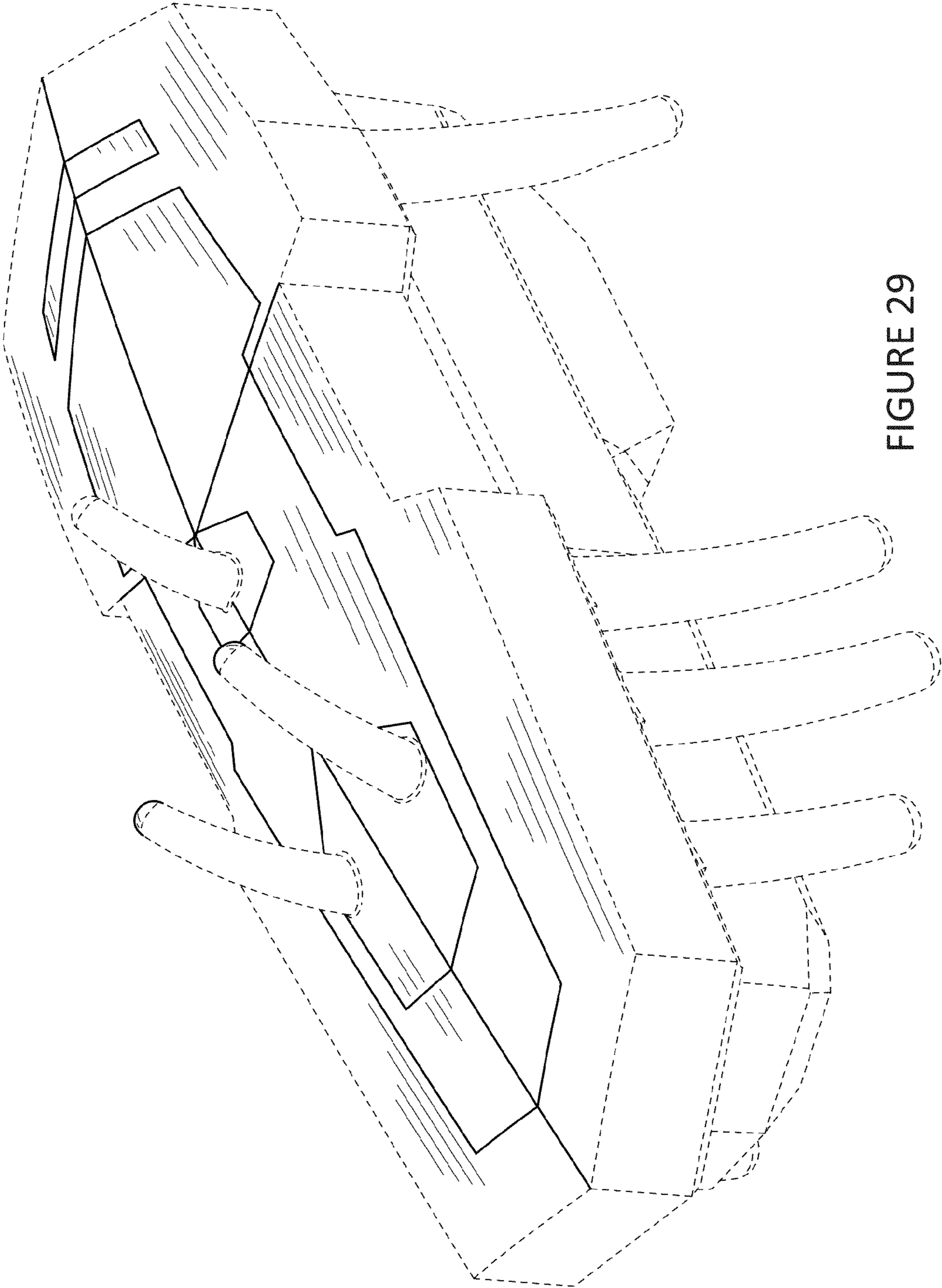


FIGURE 29

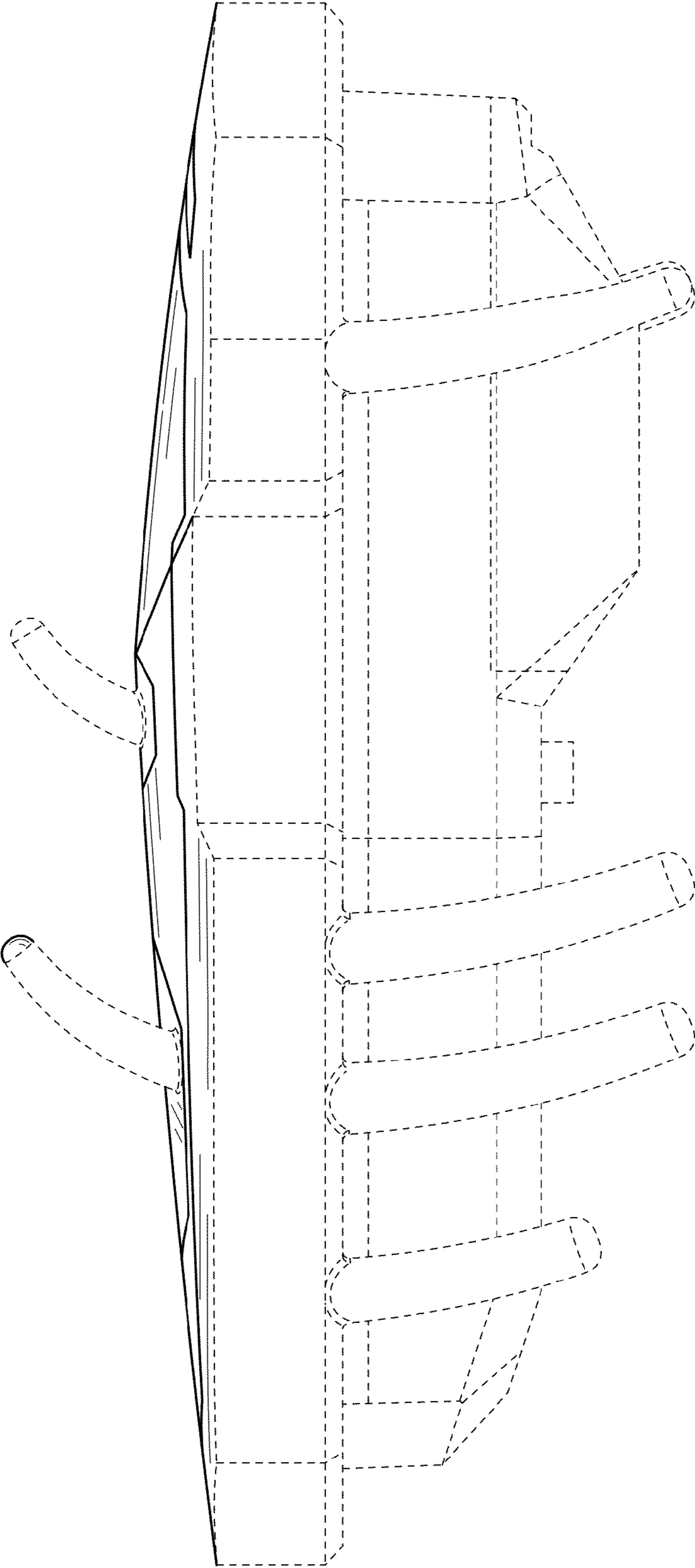


FIGURE 30

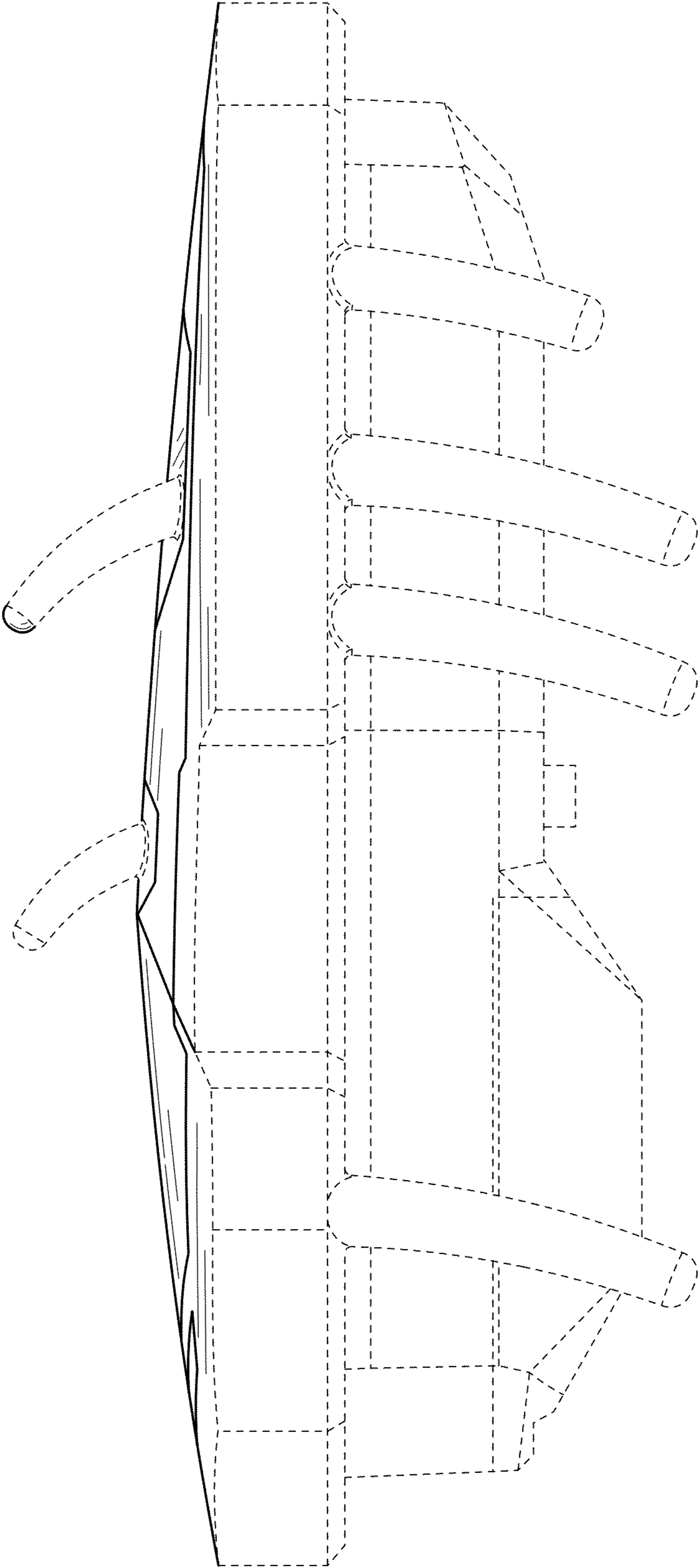


FIGURE 31

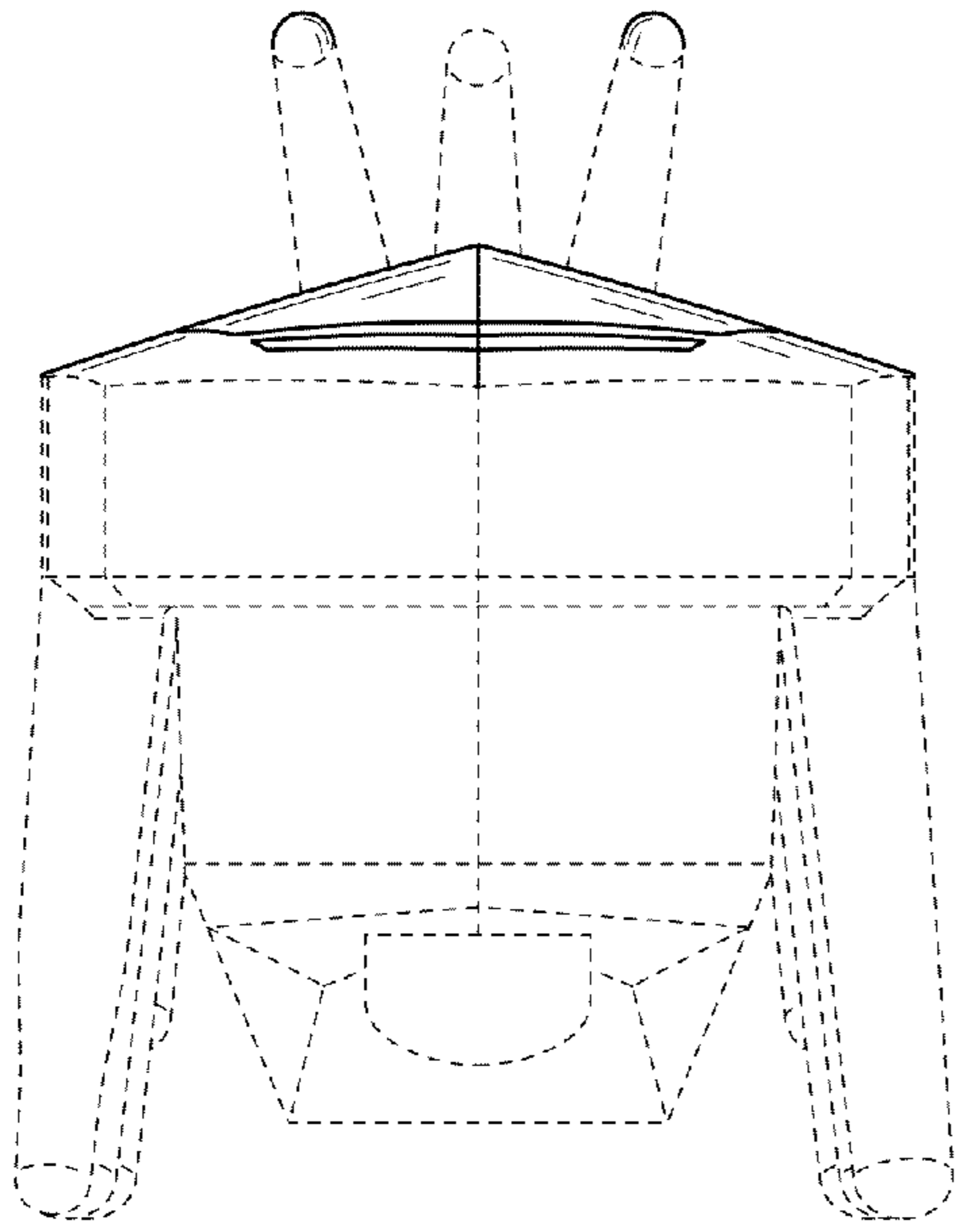


FIGURE 32

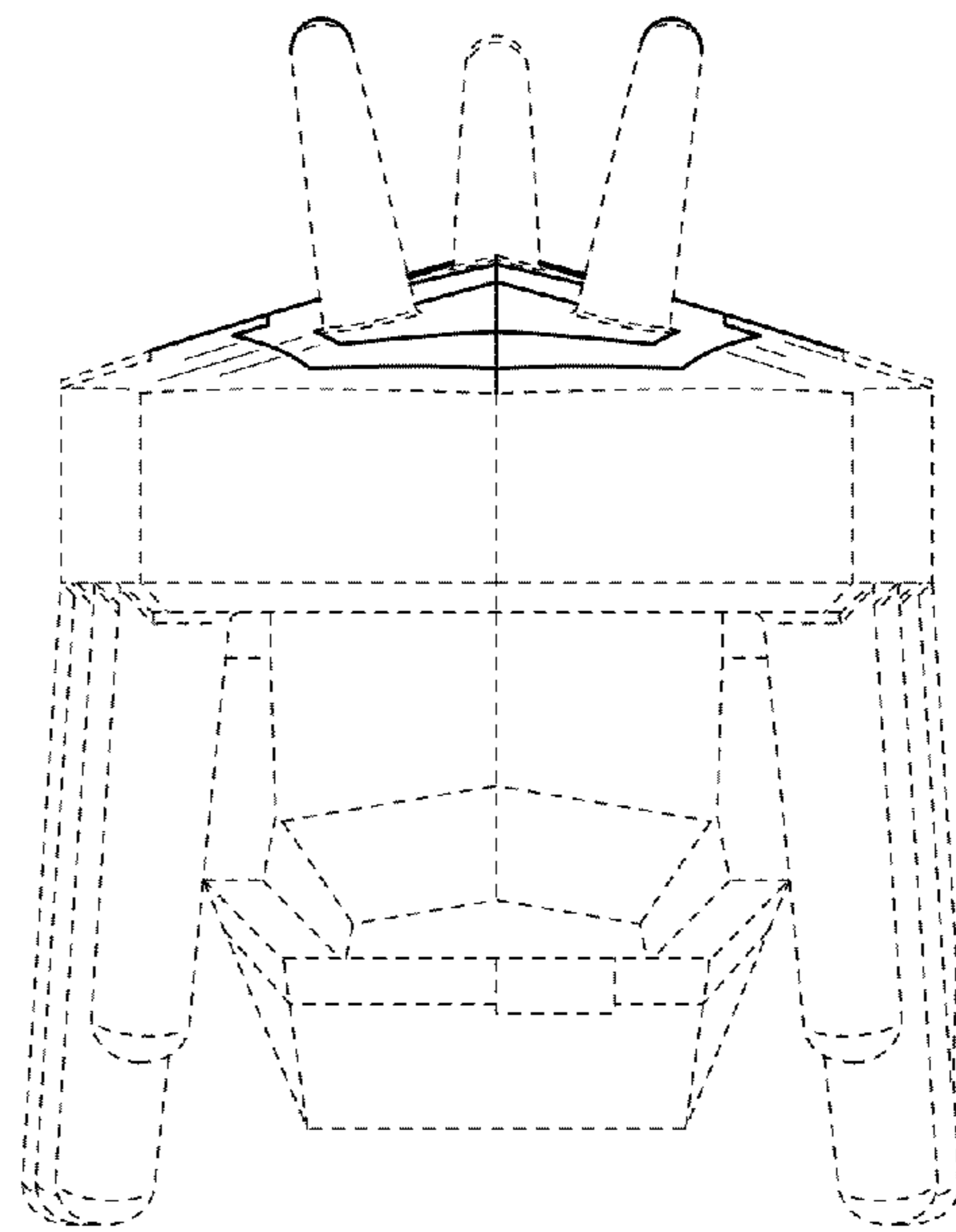


FIGURE 33

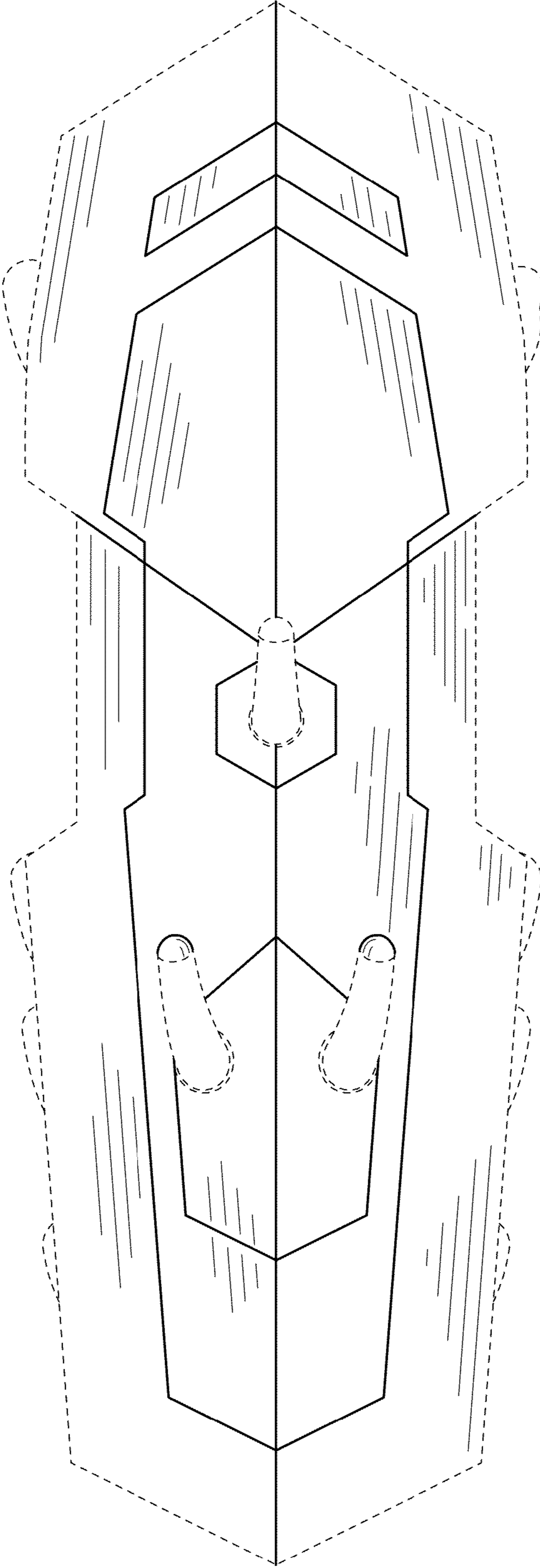


FIGURE 34

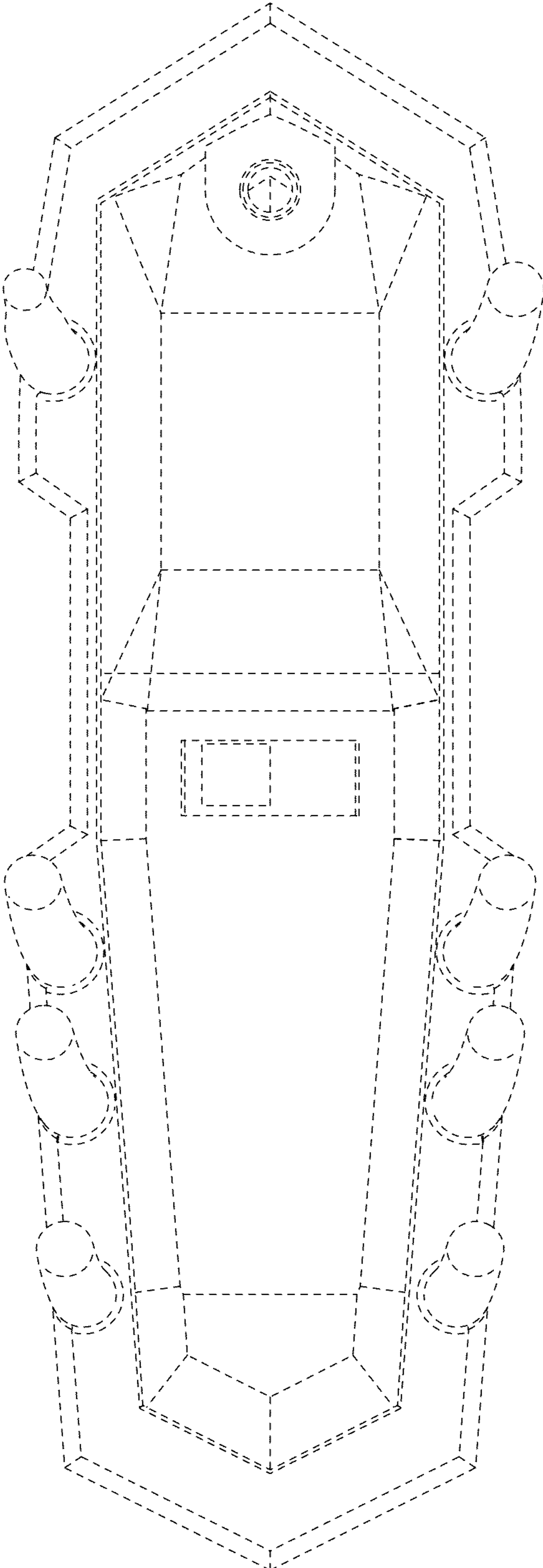


FIGURE 35

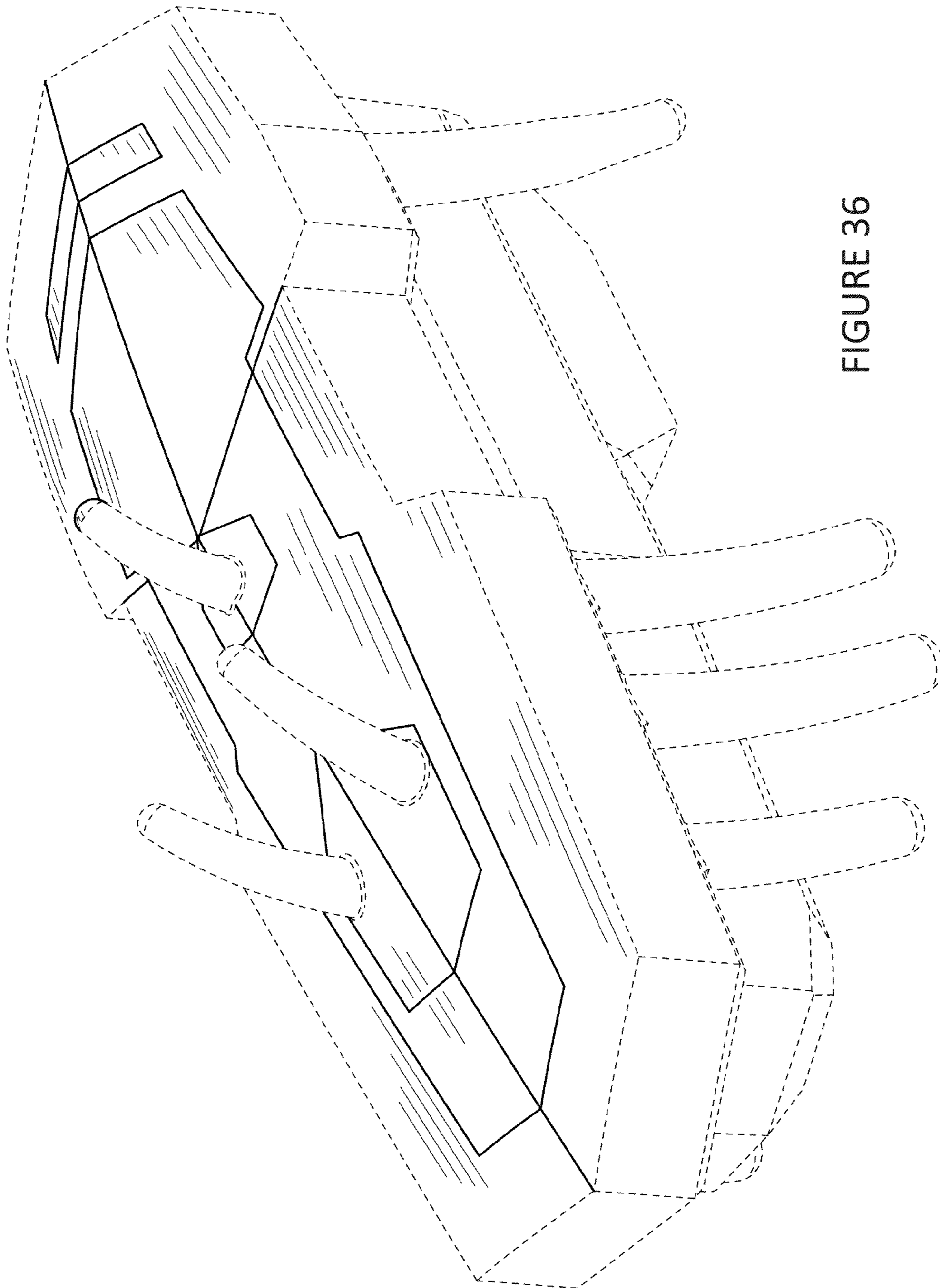


FIGURE 36

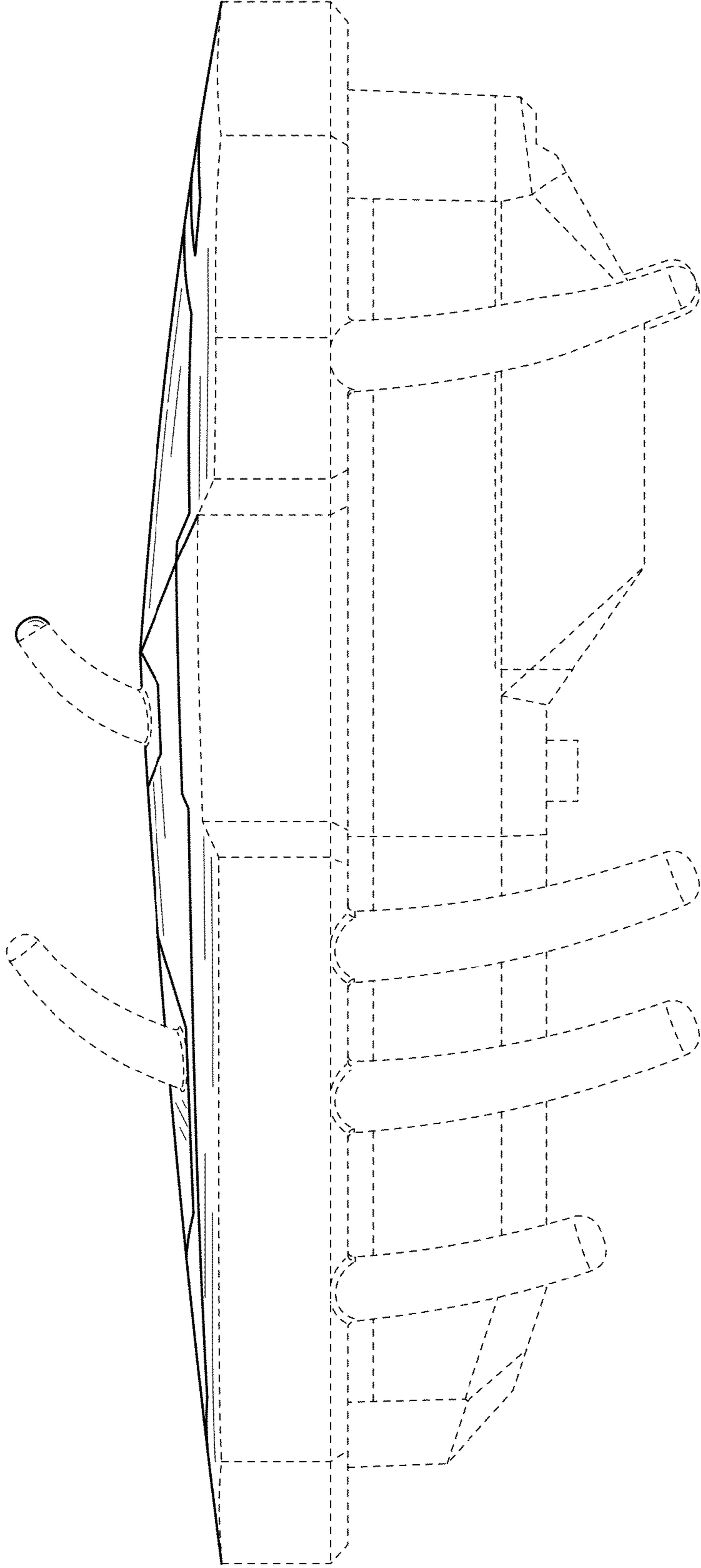


FIGURE 37

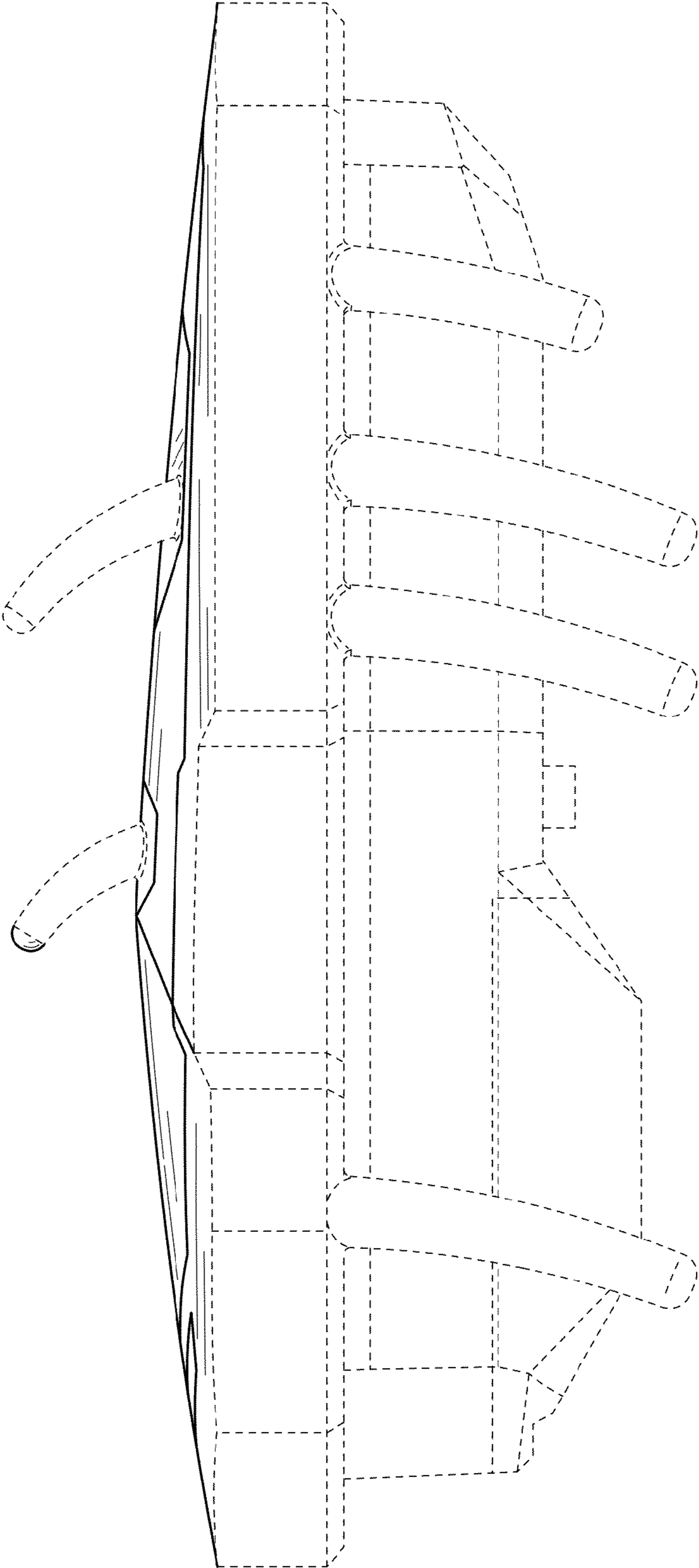


FIGURE 38

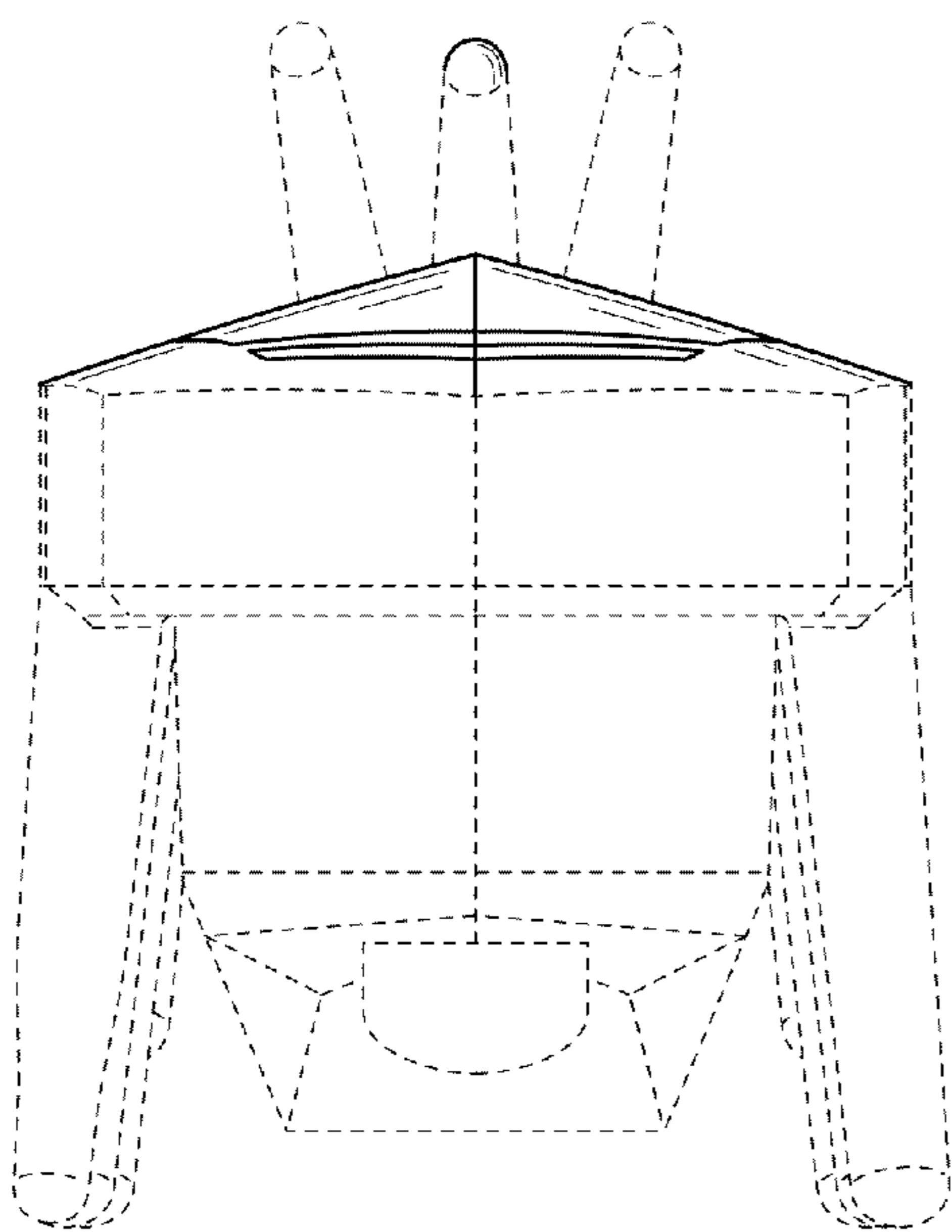


FIGURE 39

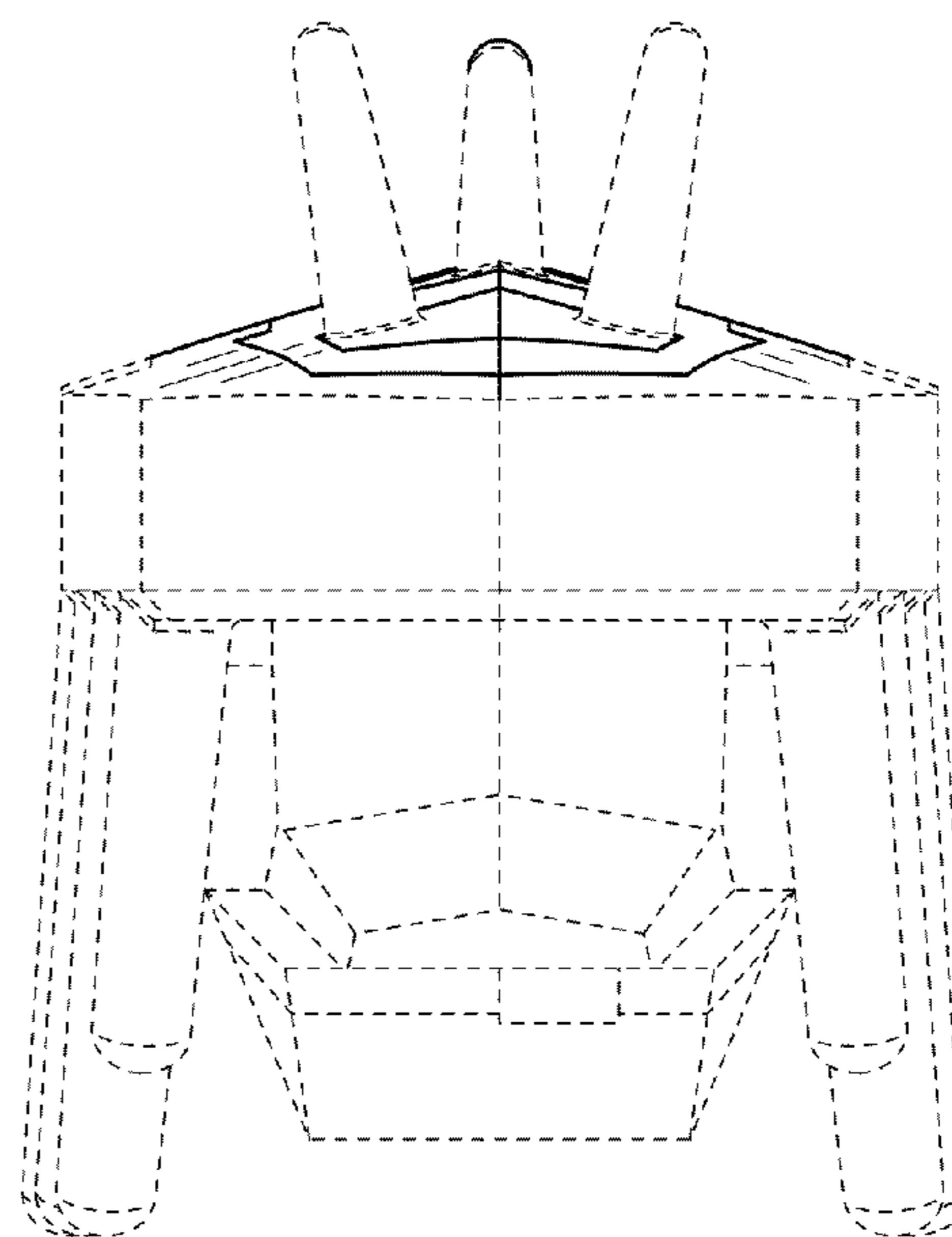


FIGURE 40

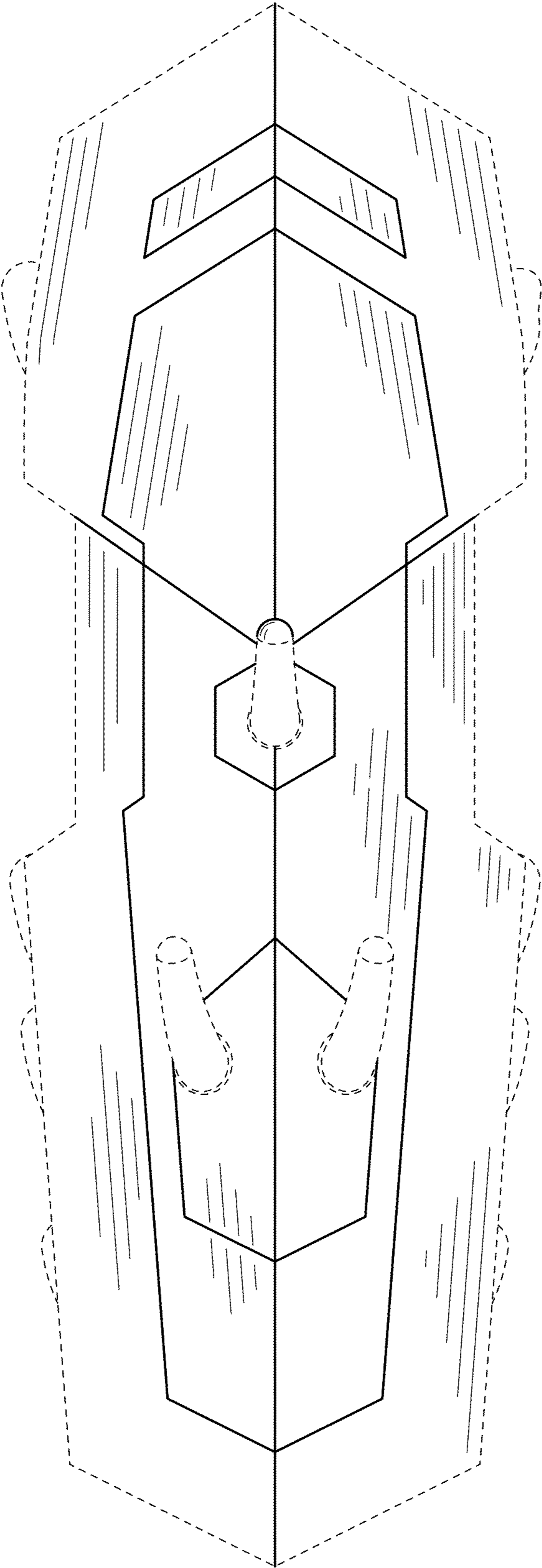


FIGURE 41

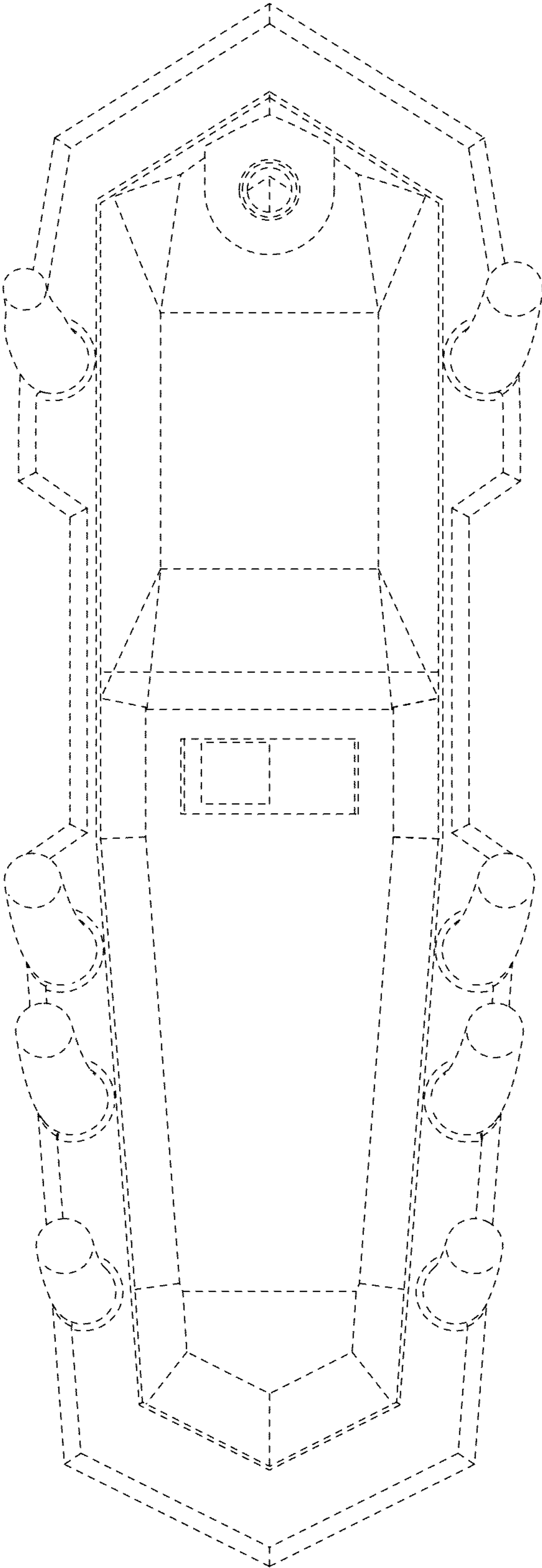


FIGURE 42