



US00D702774S

(12) **United States Design Patent**
Wizenberg et al.

(10) **Patent No.:** **US D702,774 S**
(45) **Date of Patent:** **** Apr. 15, 2014**

(54) **TWISTABLE AND CONNECTABLE BLOCK**

(75) Inventors: **Darryl J Wizenberg**, Hong Kong (CN); **Yiu Fai Yeung**, Hong Kong (CN); **Sin Yan Chua**, Hong Kong (CN); **Ying Fai Lai**, Hong Kong (CN); **Pui Kwan Woo**, Hong Kong (CN); **Chun Kit Tong**, Hong Kong (CN)

(73) Assignee: **JAKKS Pacific, Inc.**, Malibu, CA (US)

(**) Term: **14 Years**

(21) Appl. No.: **29/401,806**

(22) Filed: **Sep. 15, 2011**

(51) **LOC (10) Cl.** **21-01**

(52) **U.S. Cl.**
USPC **D21/499**

(58) **Field of Classification Search**
USPC D21/386, 389, 404, 468, 470, 471,
D21/484-505; 446/69, 85, 102-128;
434/208, 259, 403; 273/153, 156, 160;
D25/113-116, 118
See application file for complete search history.

(56) **References Cited**

U.S. PATENT DOCUMENTS

D286,416 S * 10/1986 Kassai D21/499
4,744,780 A 5/1988 Volpe

(Continued)

Primary Examiner — Cynthia M Chin

(74) *Attorney, Agent, or Firm* — Tope-McKay & Associates

(57) **CLAIM**

The ornamental design for a twistable and connectable block, as shown and described.

DESCRIPTION

FIG. 1 is a front, perspective view illustration of a twistable and connectable block according to the present invention;

FIG. 2 is a back, perspective view illustration of the twistable and connectable block depicted in FIG. 1;

FIG. 3 is a front, perspective view illustration of a first half of the twistable and connectable block depicted in FIG. 1;

FIG. 4 is a front, perspective view illustration of a second half of the twistable and connectable block depicted in FIG. 1;

FIG. 5 is a top, perspective view illustration of the first half of the twistable and connectable block as depicted in FIG. 3;

FIG. 6 is a bottom, perspective view illustration of the first half of the twistable and connectable block as depicted in FIG. 3;

FIG. 7 is a front, view illustration of the first half of the twistable and connectable block as depicted in FIG. 3;

FIG. 8 is a left, view illustration of the first half of the twistable and connectable block as depicted in FIG. 3;

FIG. 9 is a bottom, view illustration of the first half of the twistable and connectable block as depicted in FIG. 3;

FIG. 10 is a right, view illustration of the first half of the twistable and connectable block as depicted in FIG. 3;

FIG. 11 is a rear, view illustration of the first half of the twistable and connectable block as depicted in FIG. 3;

FIG. 12 is a top, view illustration of the first half of the twistable and connectable block as depicted in FIG. 3;

FIG. 13 is a top, perspective view illustration of the second half of the twistable and connectable block as depicted in FIG. 4;

FIG. 14 is a bottom, perspective view illustration of the second half of the twistable and connectable block as depicted in FIG. 4;

FIG. 15 is a front, view illustration of the second half of the twistable and connectable block as depicted in FIG. 4;

FIG. 16 is a left, view illustration of the second half of the twistable and connectable block as depicted in FIG. 4;

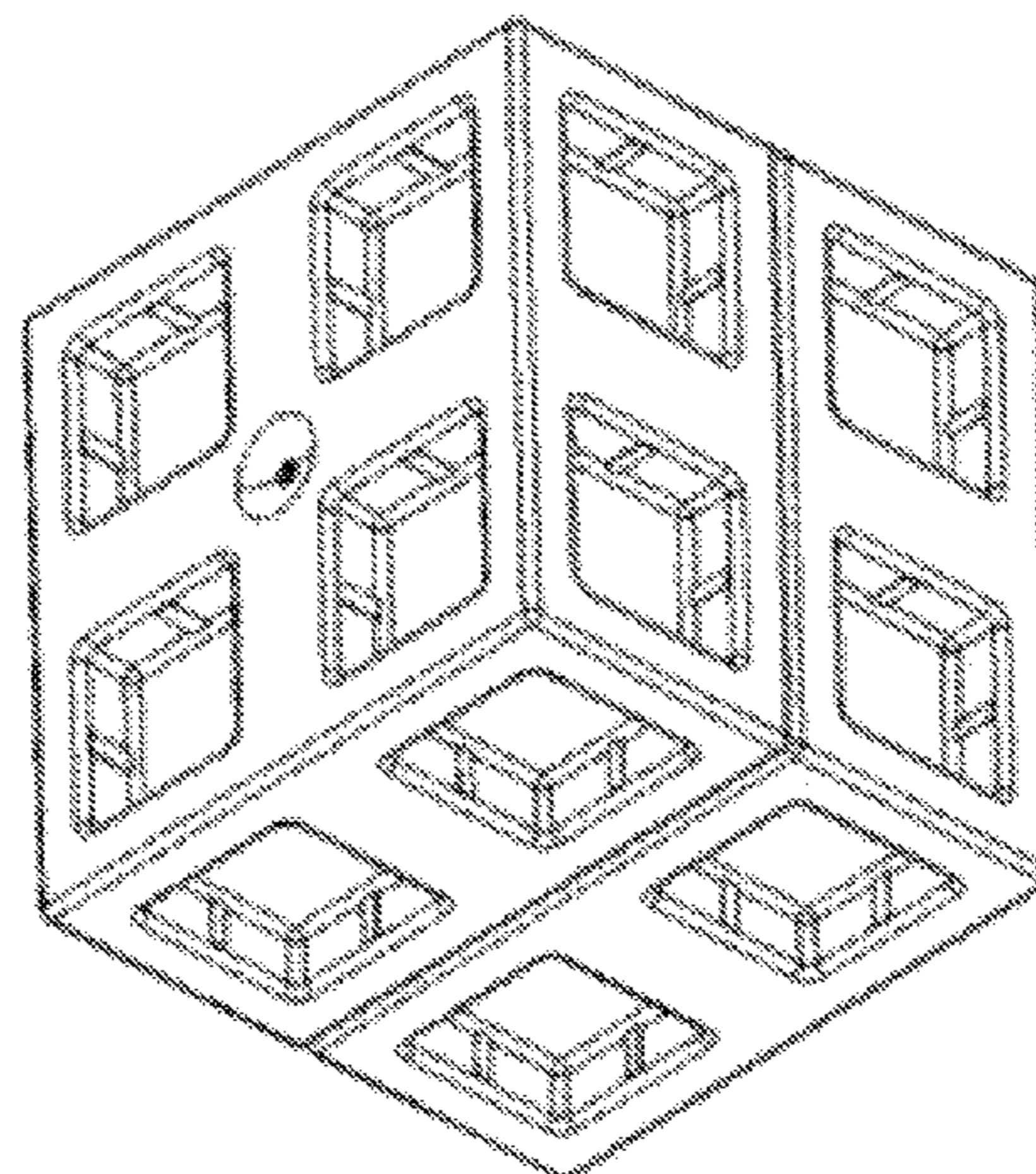
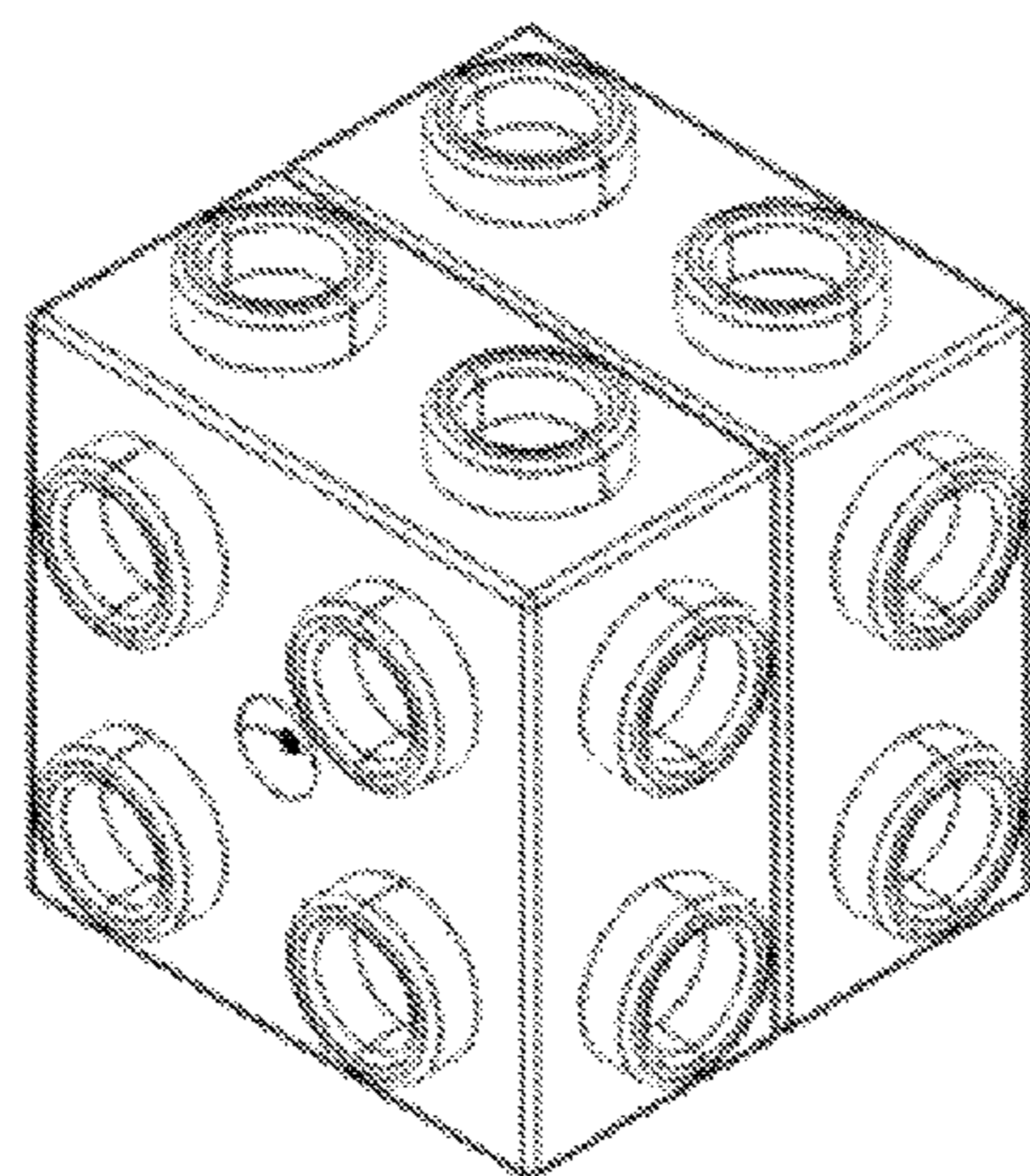
FIG. 17 is a bottom, view illustration of the second half of the twistable and connectable block as depicted in FIG. 4;

FIG. 18 is a right, view illustration of the second half of the twistable and connectable block as depicted in FIG. 4;

FIG. 19 is a rear, view illustration of the second half of the twistable and connectable block as depicted in FIG. 4; and,

FIG. 20 is a top, view illustration of the second half of the twistable and connectable block as depicted in FIG. 4.

1 Claim, 7 Drawing Sheets



(56)

References Cited

U.S. PATENT DOCUMENTS

5,000,713	A	3/1991	Cheng				
5,098,328	A	3/1992	Beerens				
5,154,656	A	10/1992	Milstein				
D343,427	S *	1/1994	Sher	D21/499		
5,458,495	A	10/1995	Stone				
5,520,396	A *	5/1996	Therrien	273/288		
5,839,938	A	11/1998	Manthei et al.				
5,853,314	A	12/1998	Bora				
D413,636	S *	9/1999	Laserna Fernandez	D21/499		
6,050,044	A	4/2000	McIntosh				
6,062,937	A *	5/2000	Kikuchi	446/91		
6,241,249	B1 *	6/2001	Wang	273/156		
6,447,360	B1	9/2002	Sorensen				
D464,682	S *	10/2002	Lin	D21/499		
6,648,715	B2	11/2003	Wiens et al.				
6,679,780	B1	1/2004	Shih				
6,749,480	B1 *	6/2004	Hunts	446/92		
D512,108	S *	11/2005	Lin	D21/499		
7,063,587	B1	6/2006	Lin				
7,322,873	B2 *	1/2008	Rosen et al.	446/91		
7,347,028	B1	3/2008	Bin-Nun et al.				
7,507,136	B2 *	3/2009	Patton	446/92		
7,648,407	B1	1/2010	Sorensen				
D614,248	S *	4/2010	Pedersen	D21/499		
7,749,042	B2	7/2010	Fulgenzi				
D630,685	S *	1/2011	Bodin et al.	D21/499		
7,882,674	B2	2/2011	Craven et al.				
2006/0111010	A1 *	5/2006	Park	446/92		
2008/0160875	A1	7/2008	Leicht				
2009/0117815	A1	5/2009	Hiraide				
2009/0298382	A1	12/2009	Ochi et al.				
2010/0210173	A1	8/2010	Maggiore et al.				
2011/0028064	A1	2/2011	Christensen et al.				
2011/0076909	A1	3/2011	Hageman et al.				

* cited by examiner

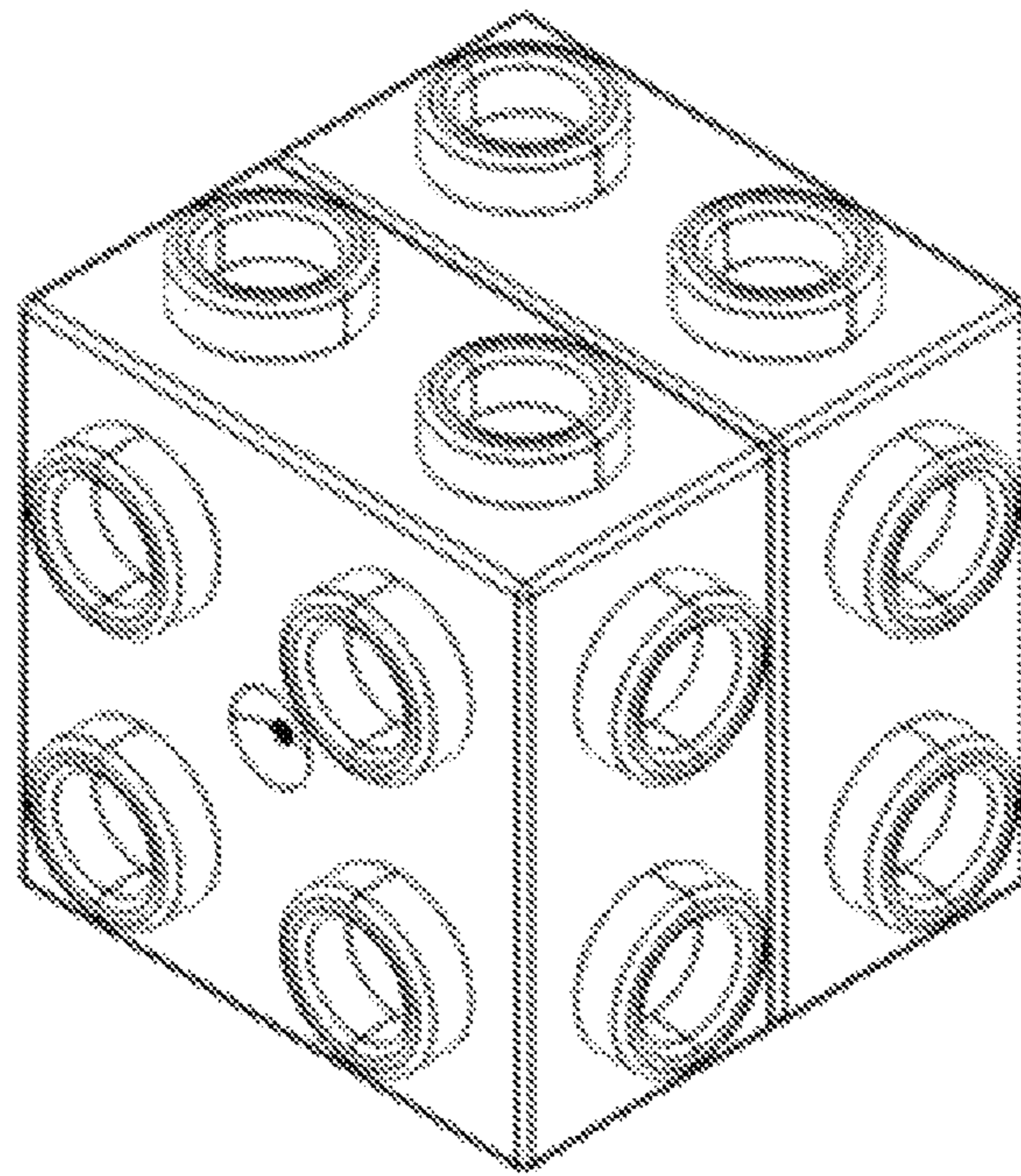


FIG. 1

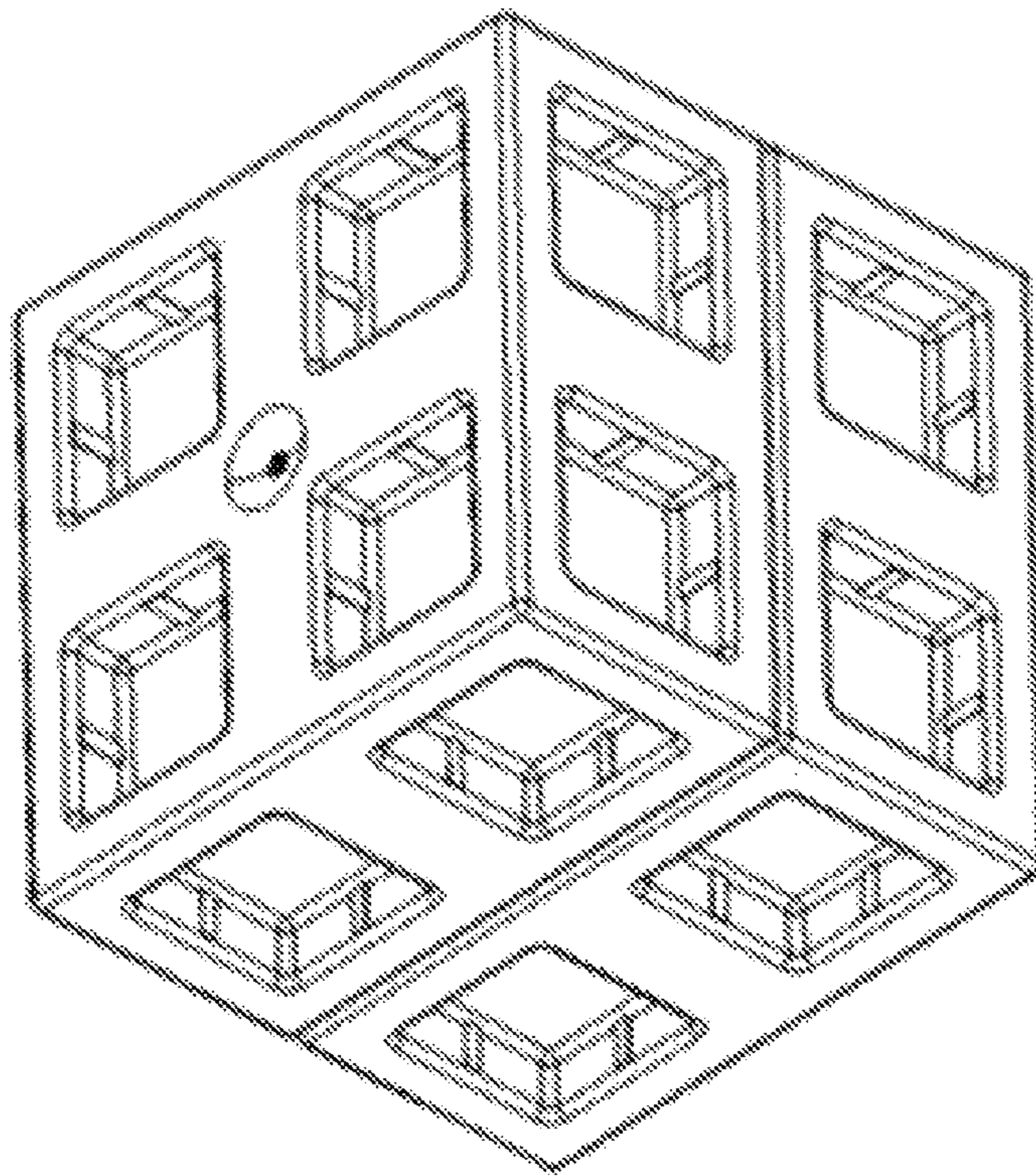


FIG. 2

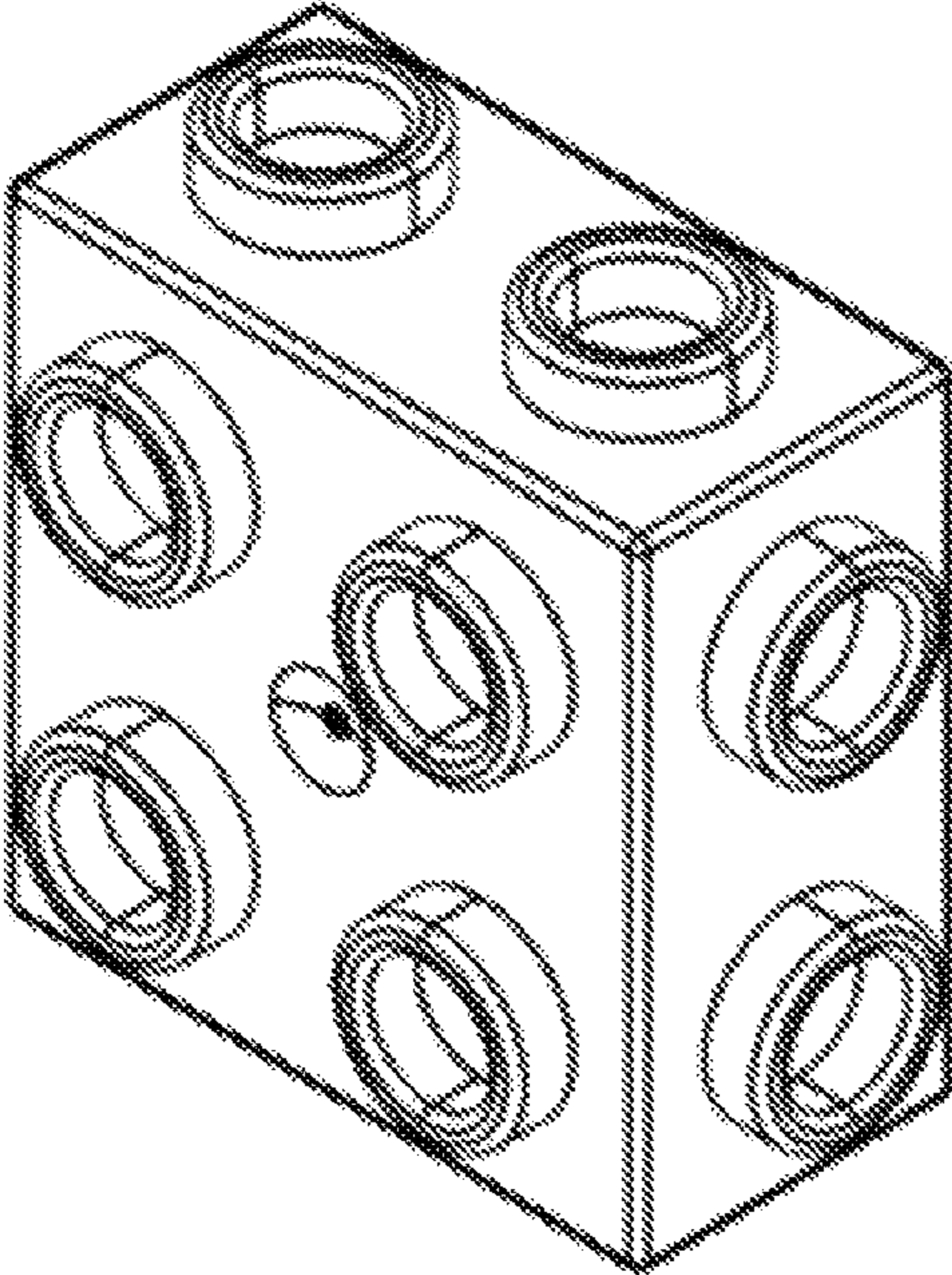


FIG. 3

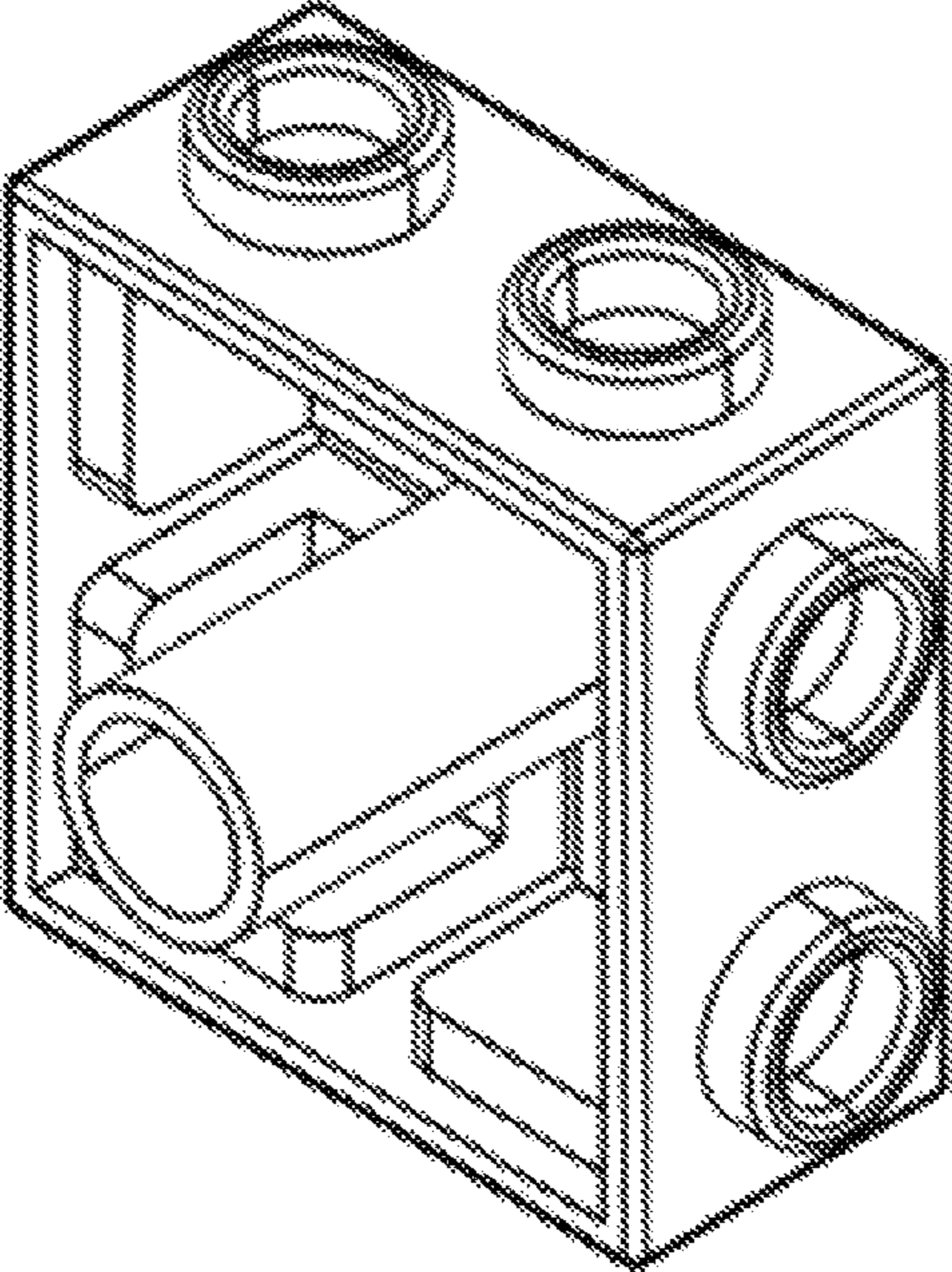


FIG. 4

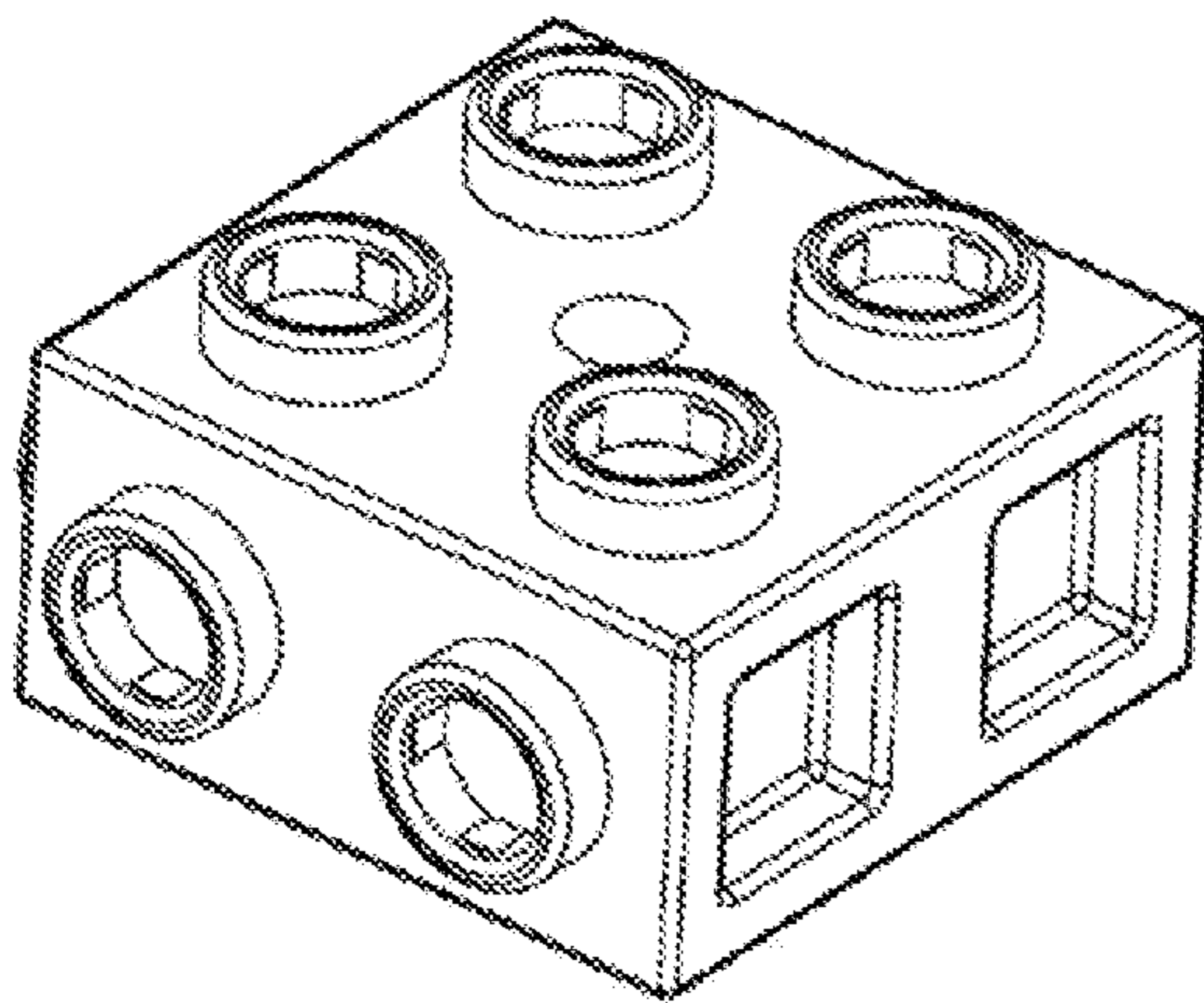


FIG. 5

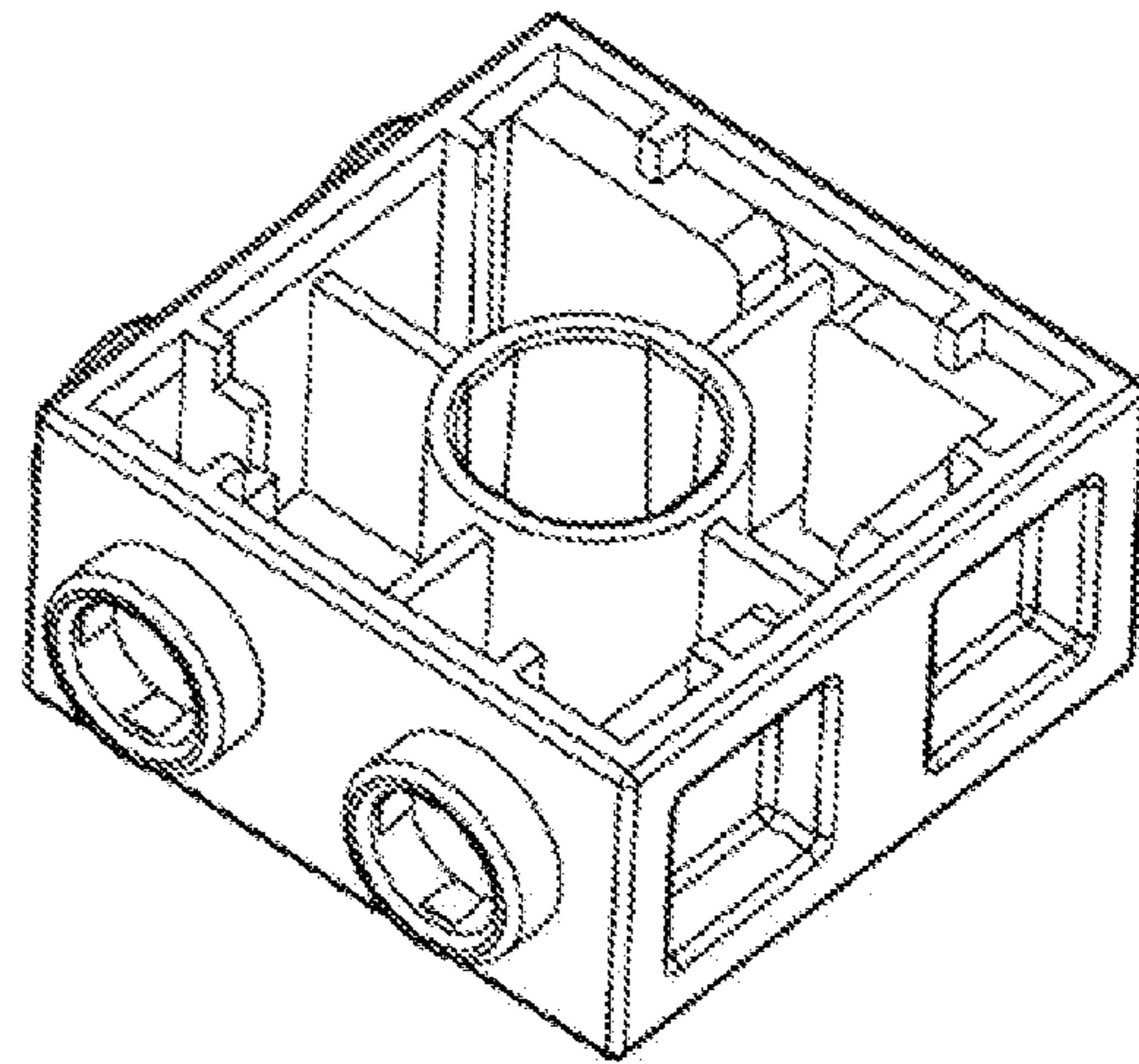


FIG. 6

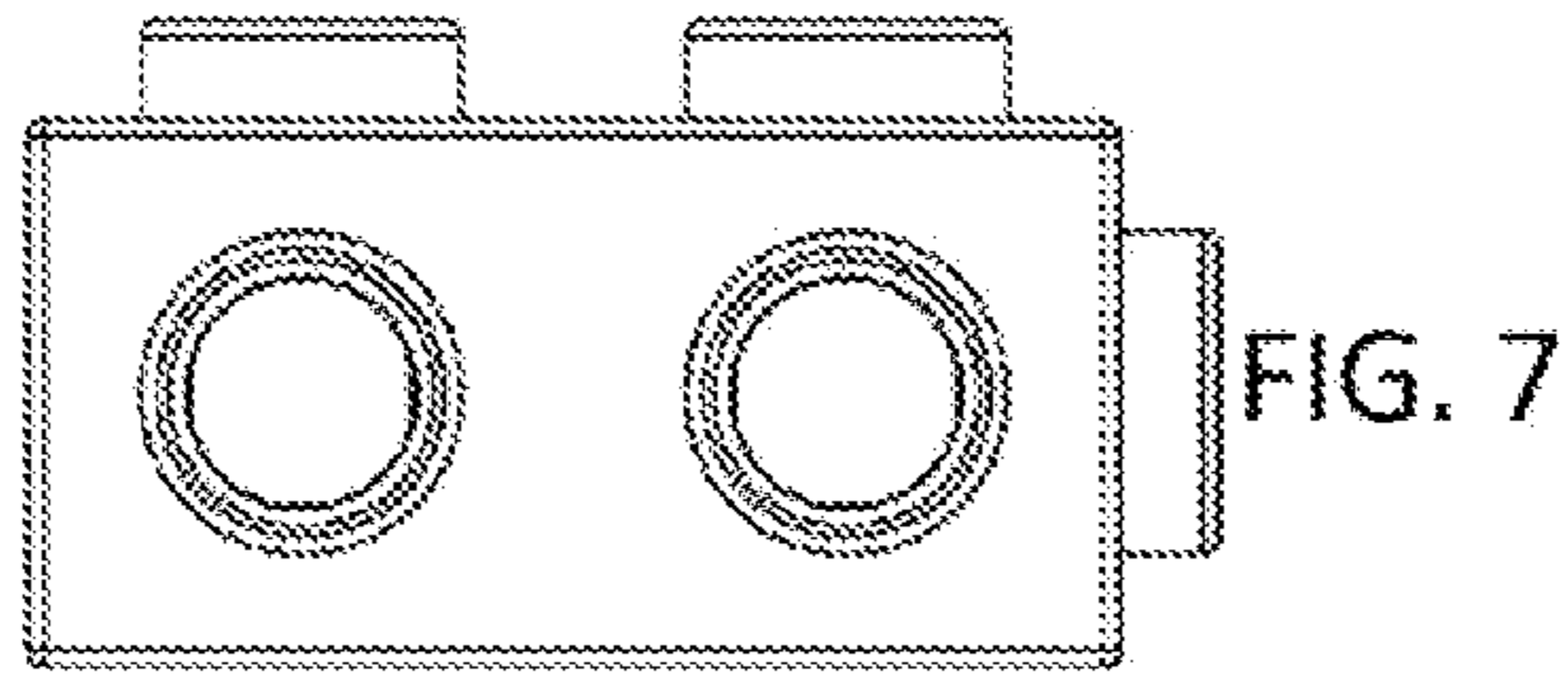


FIG. 7

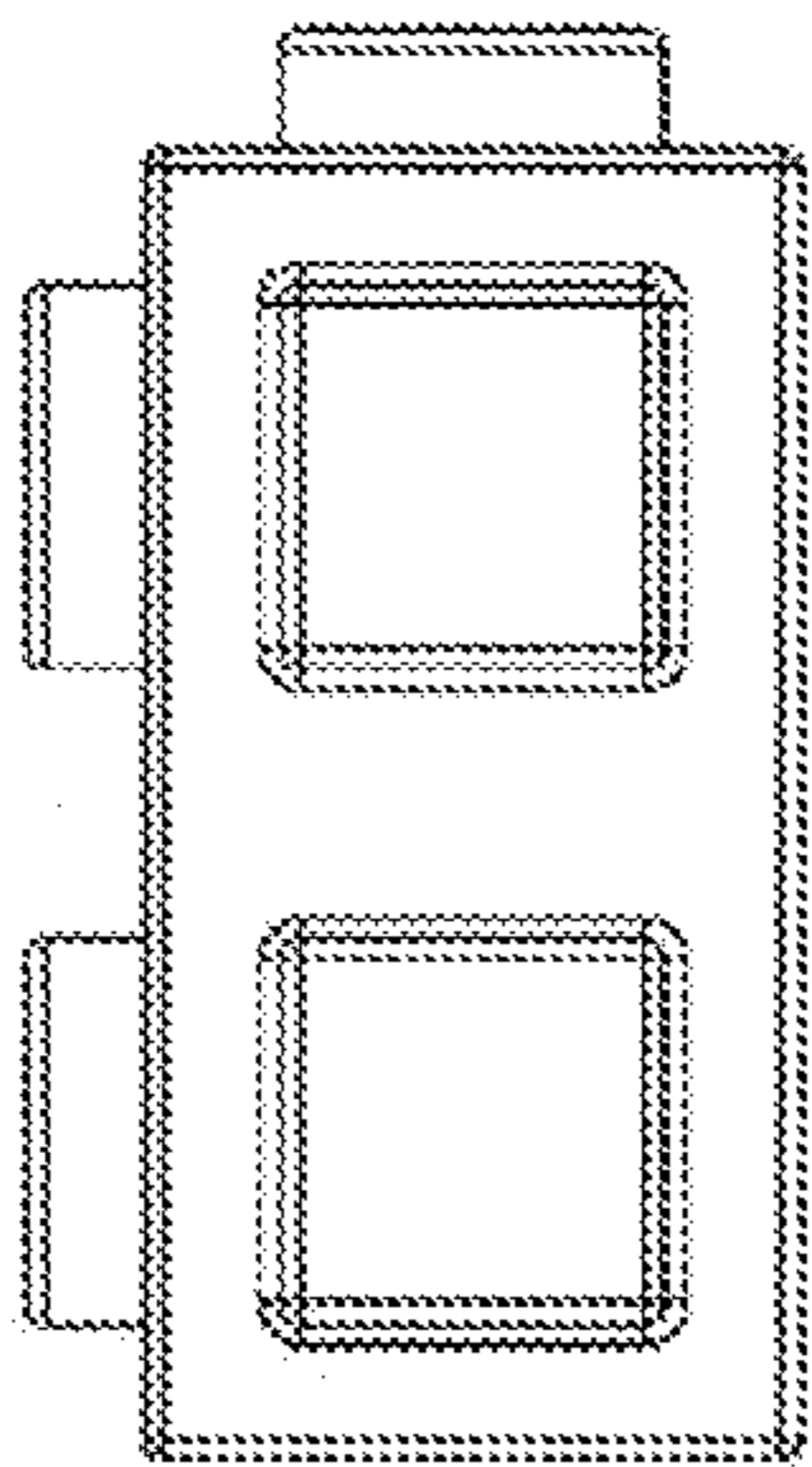


FIG. 8

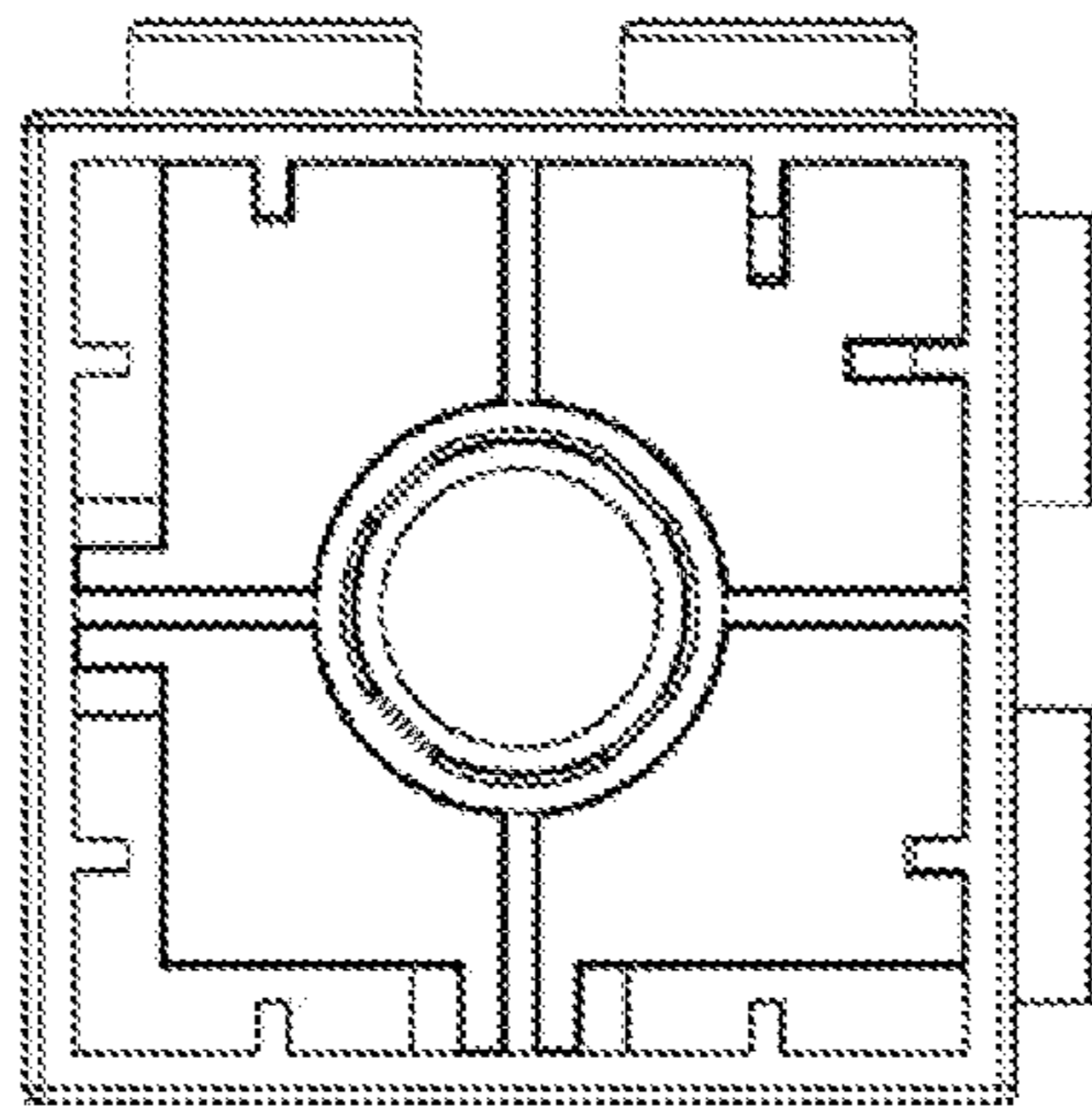


FIG. 9

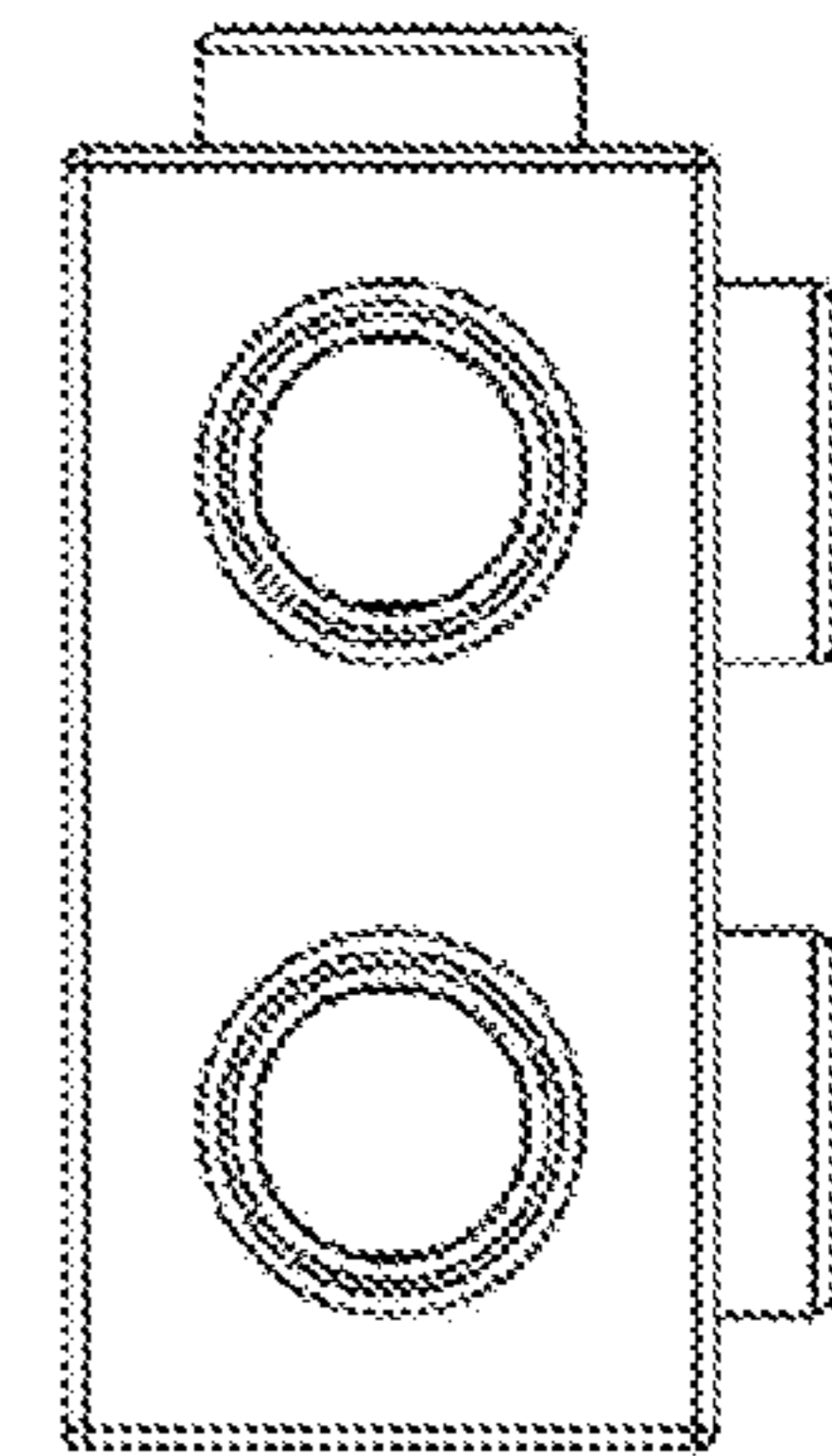


FIG. 10

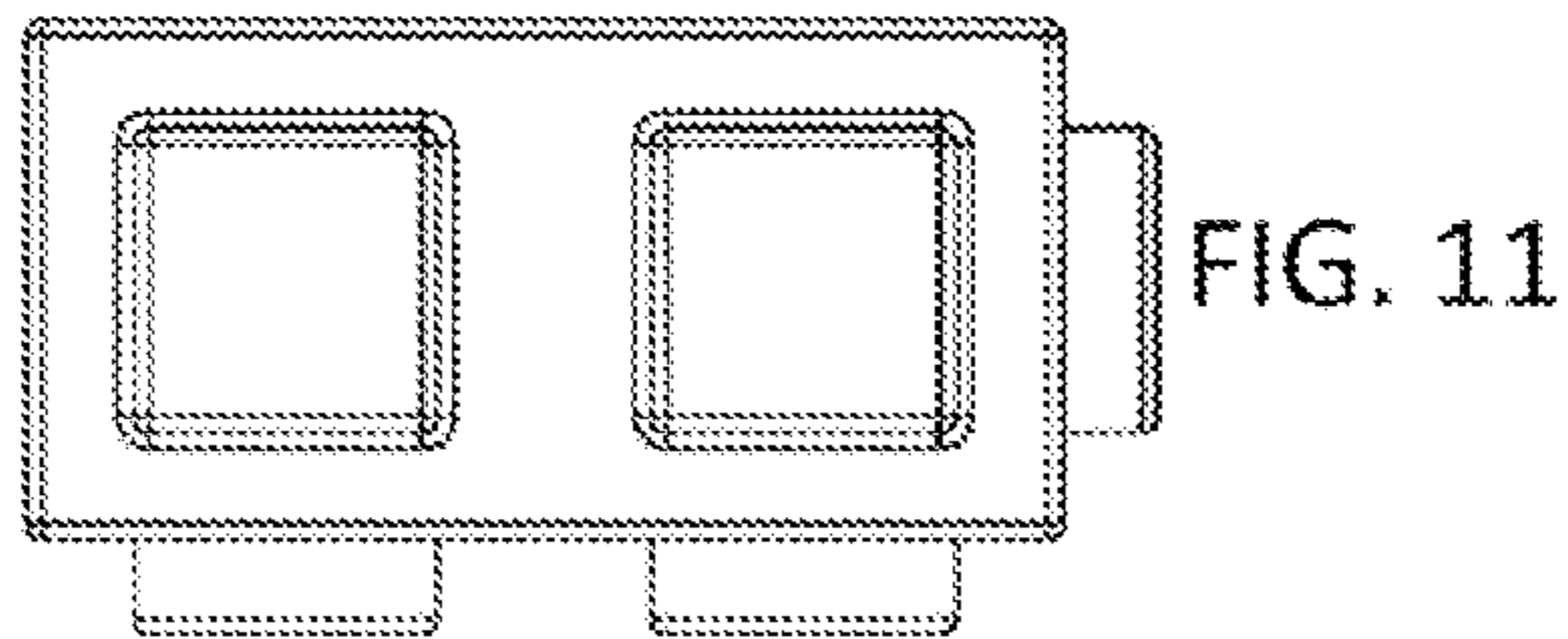


FIG. 11

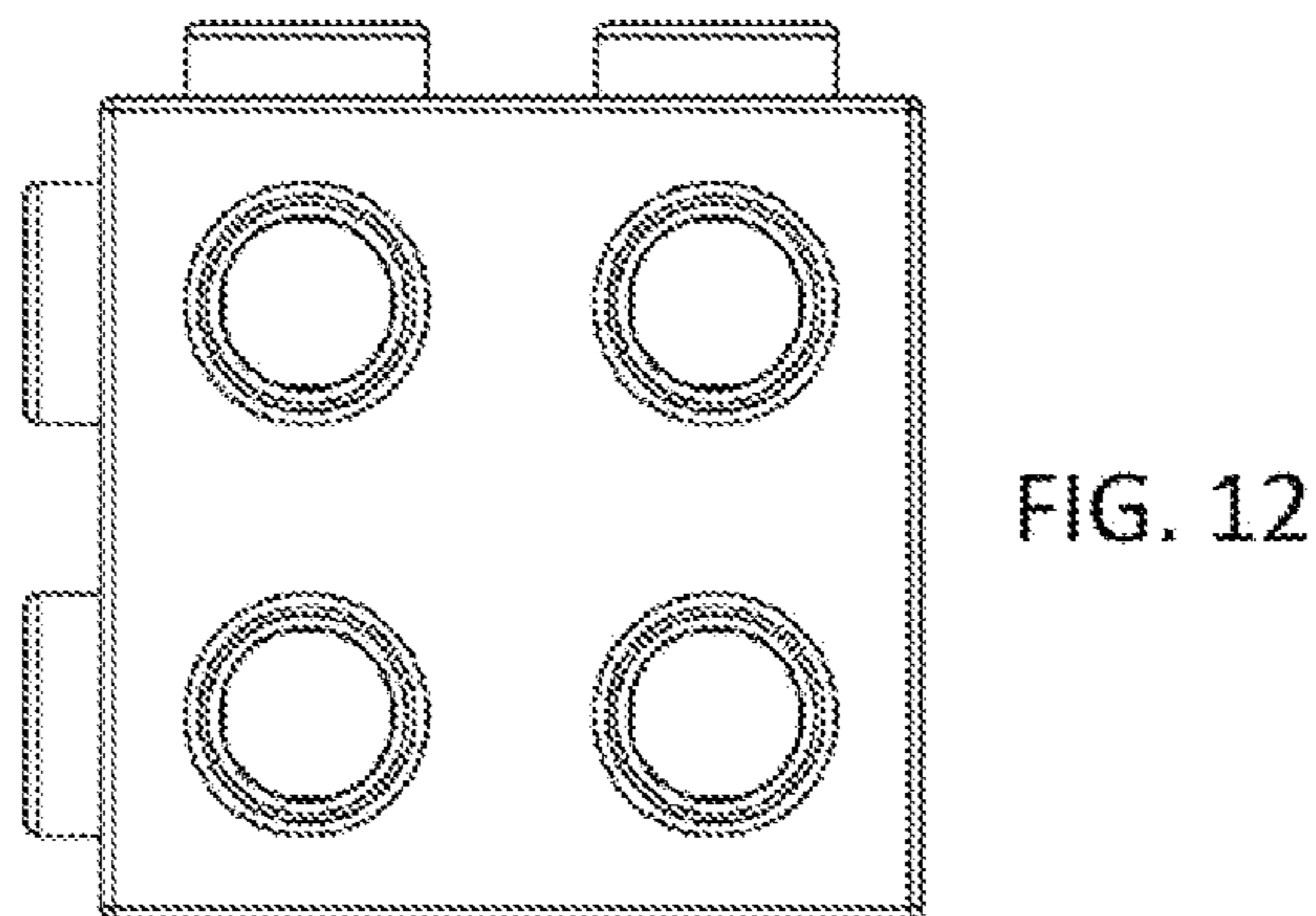


FIG. 12

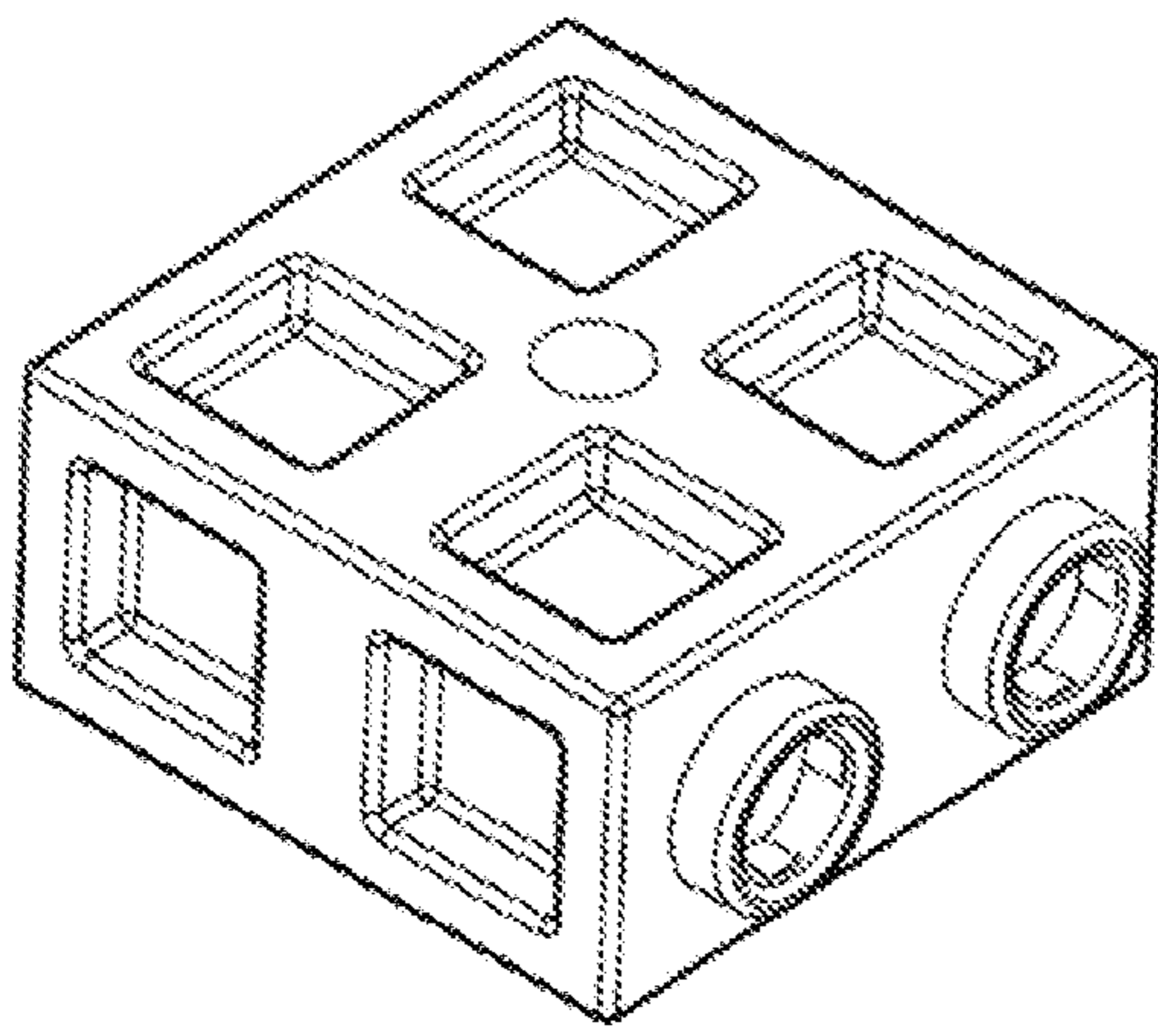


FIG. 13

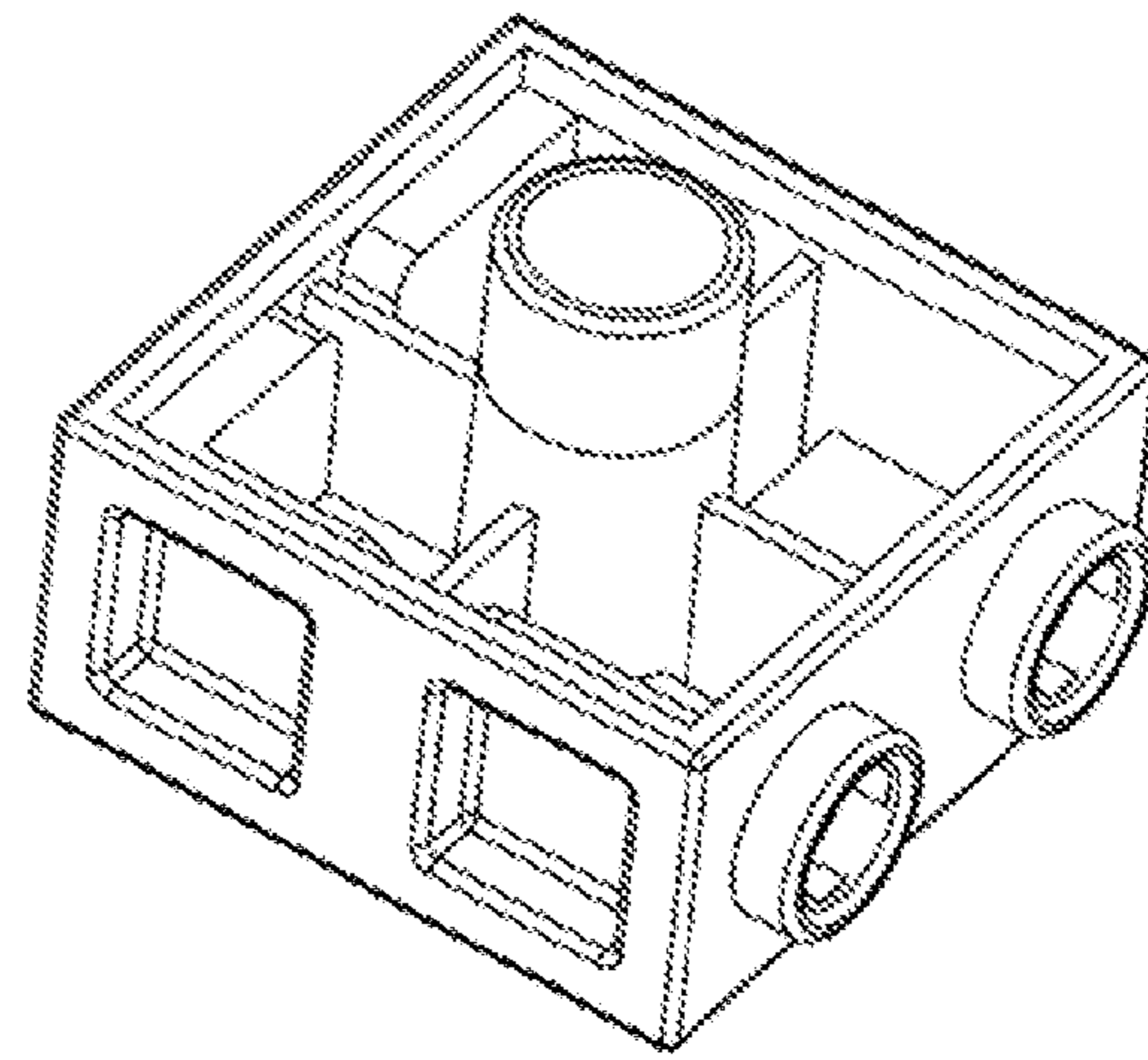


FIG. 14

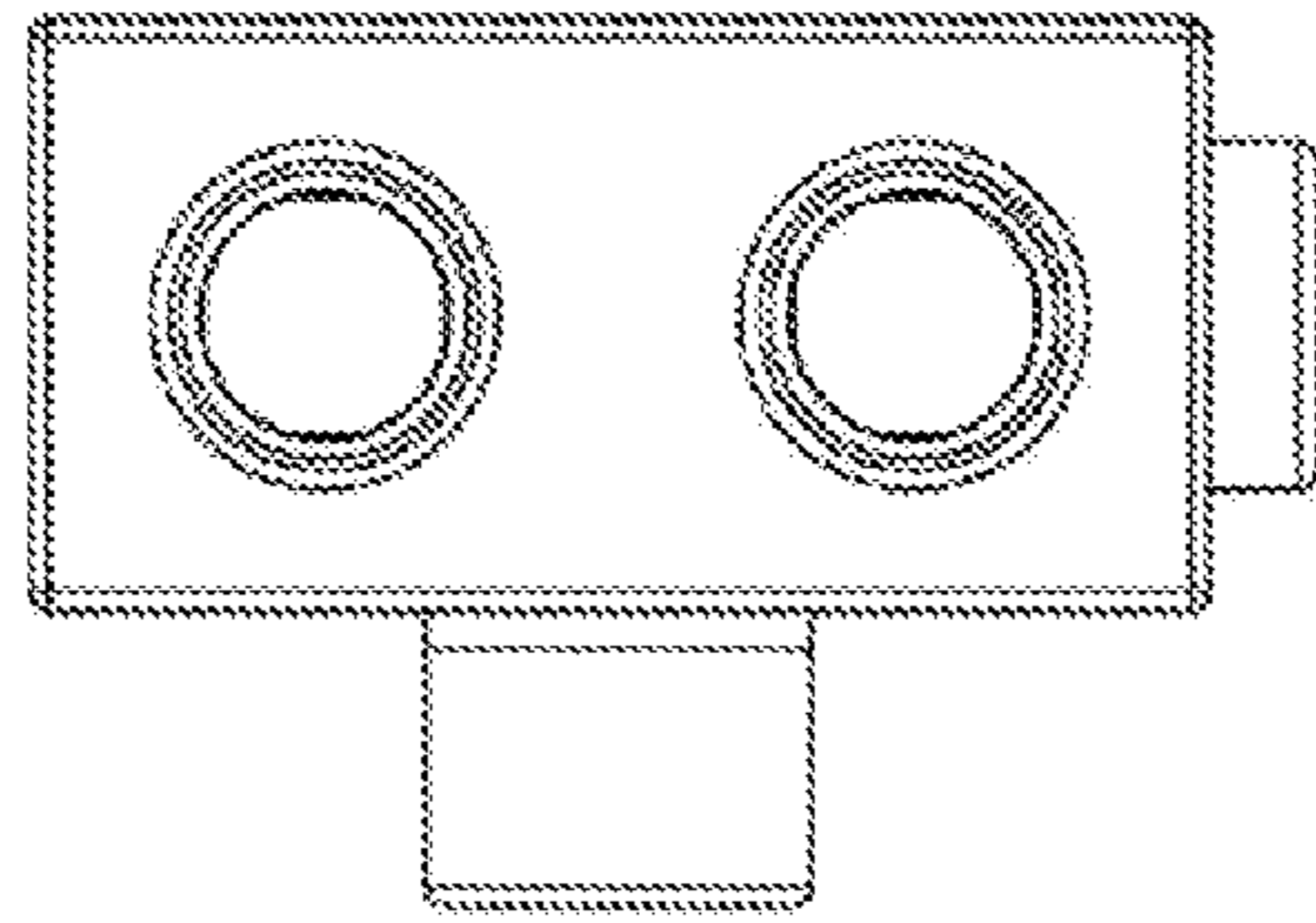


FIG. 15

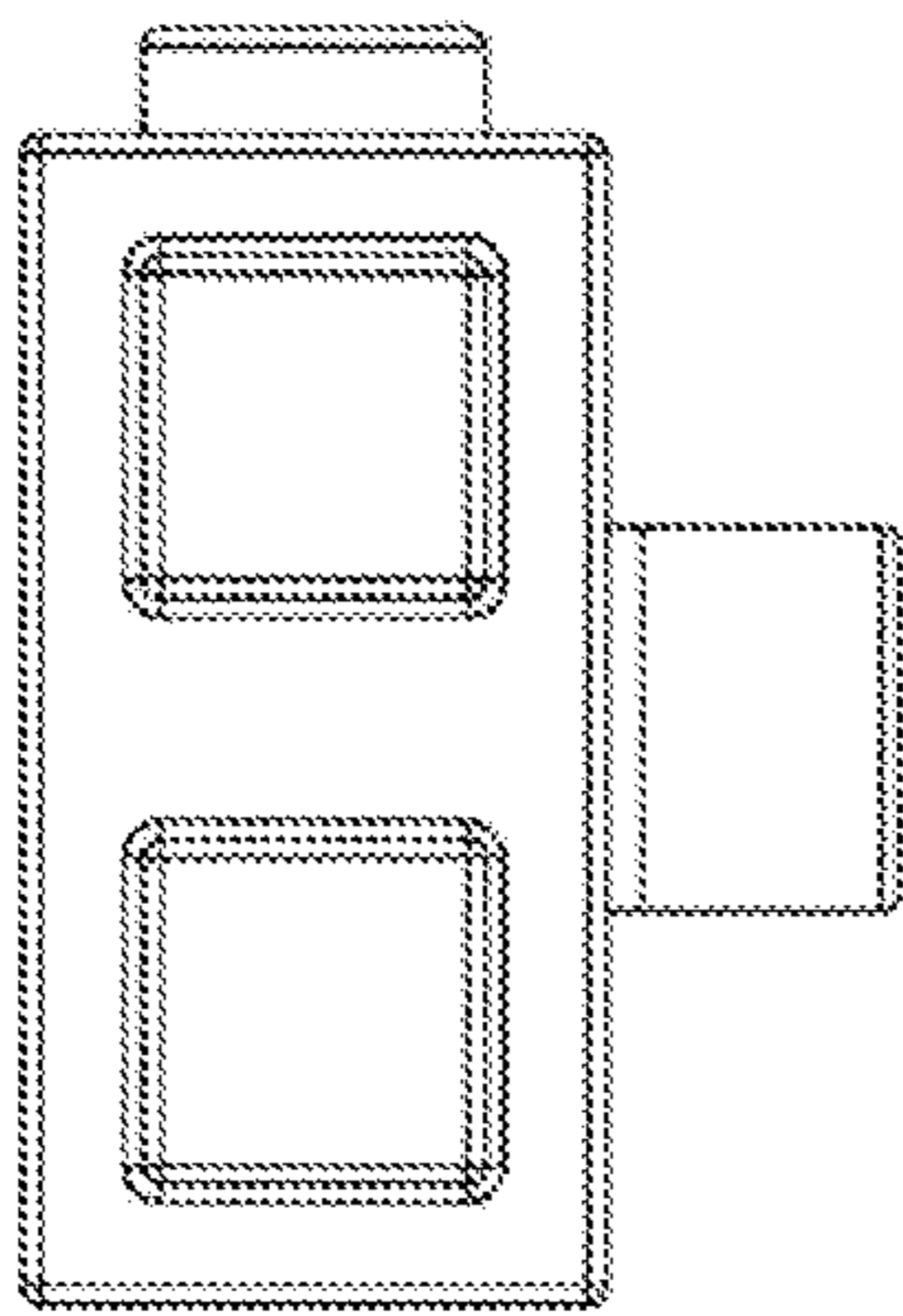


FIG. 16

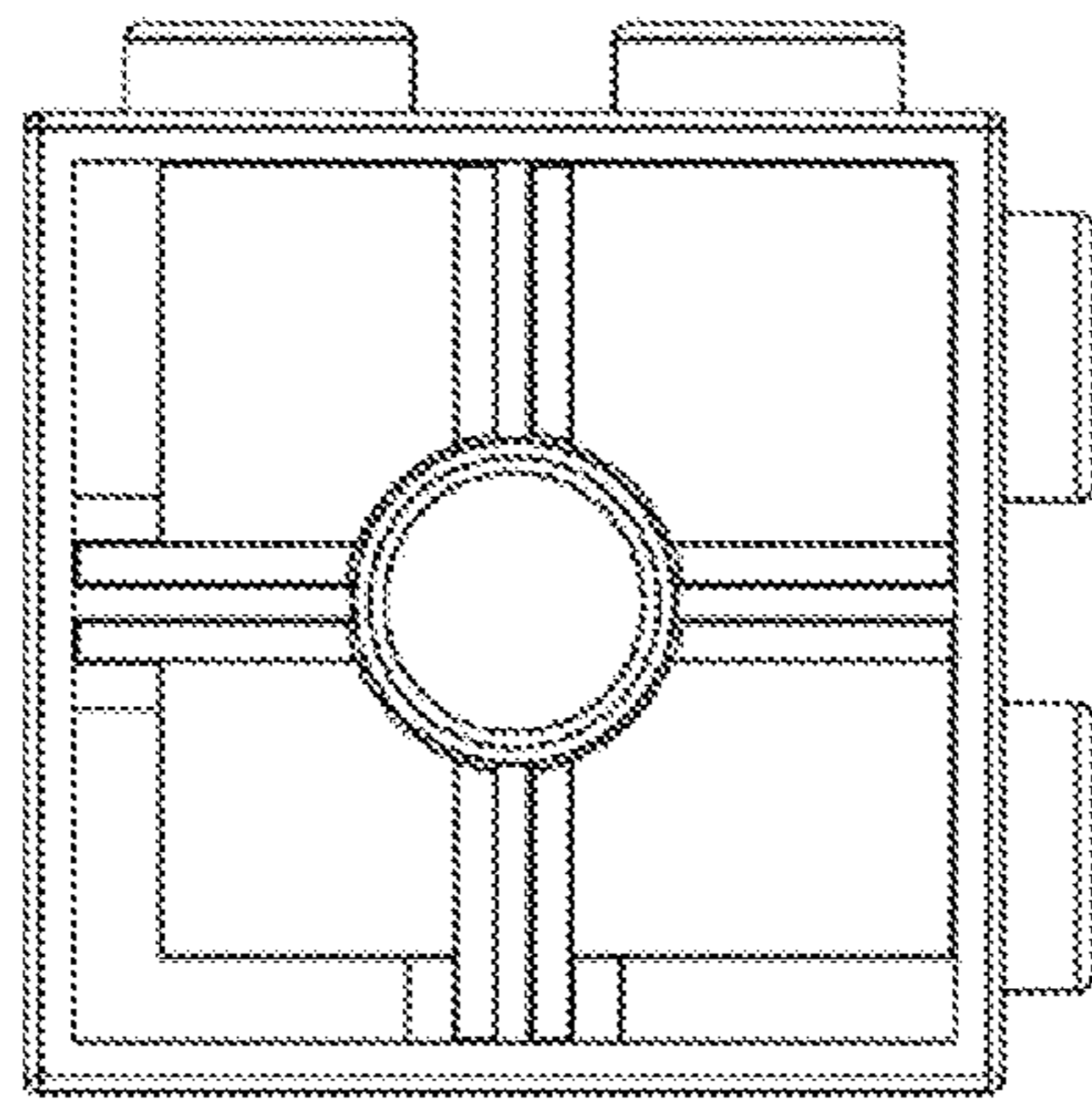


FIG. 17

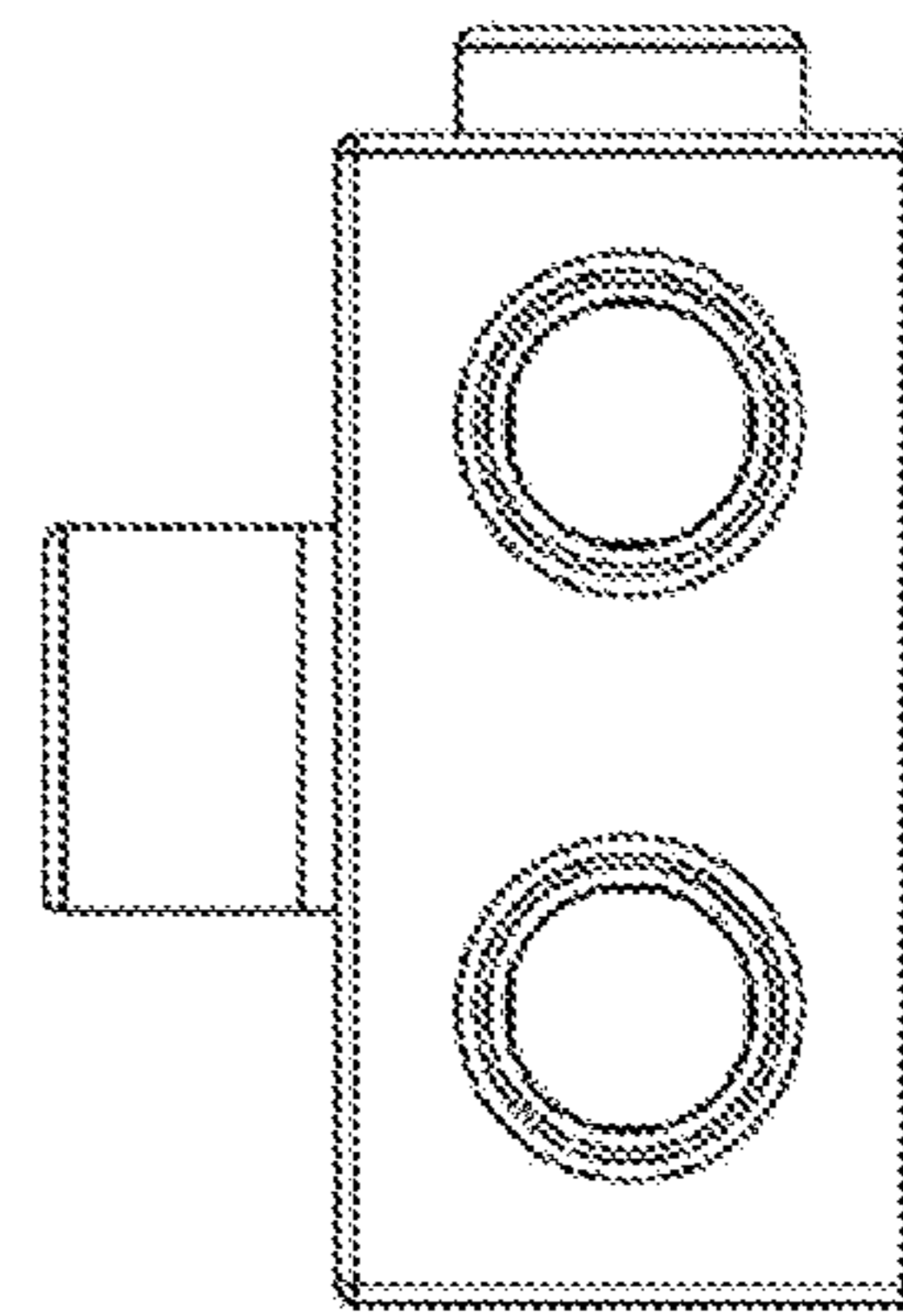


FIG. 18

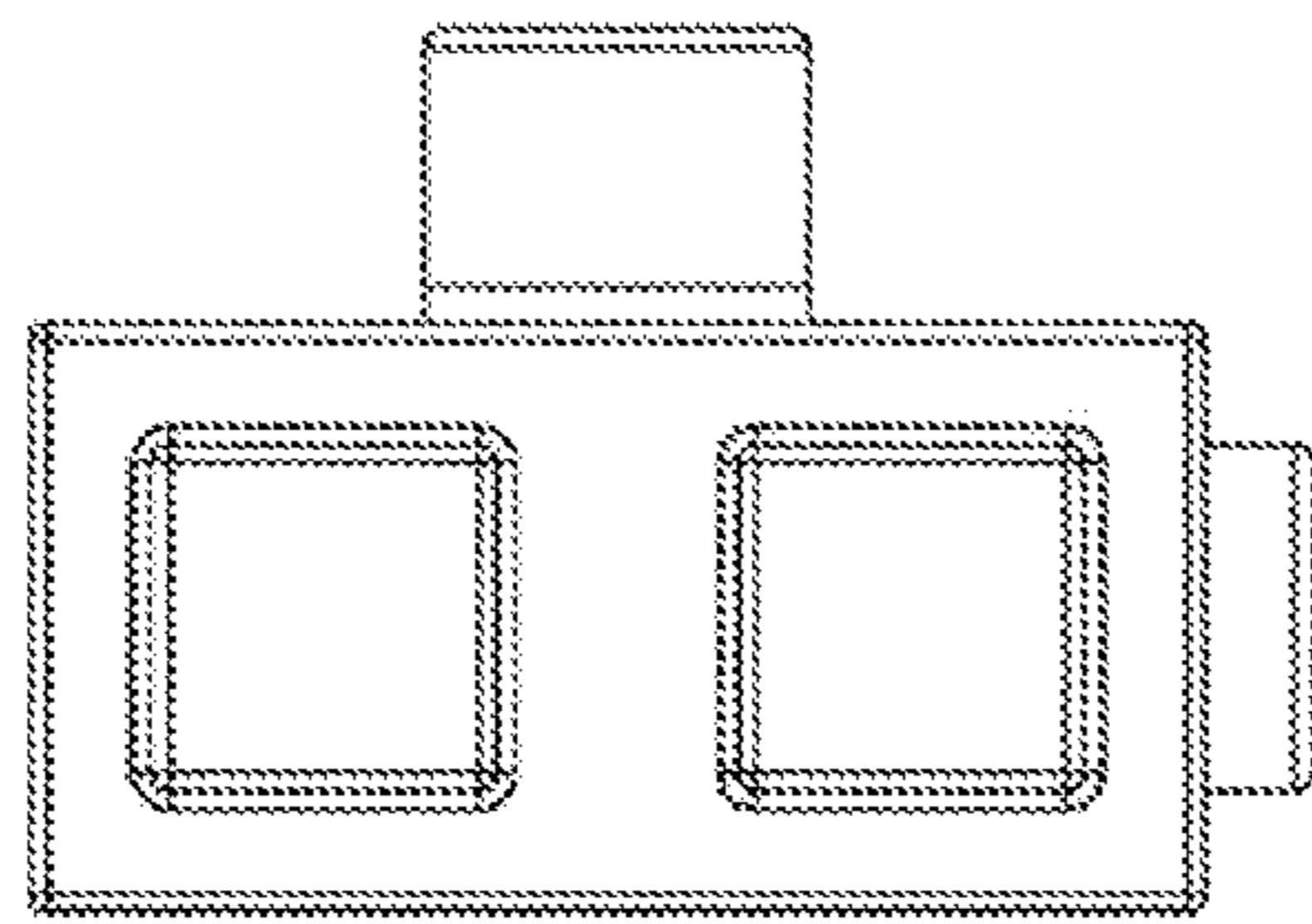


FIG. 19

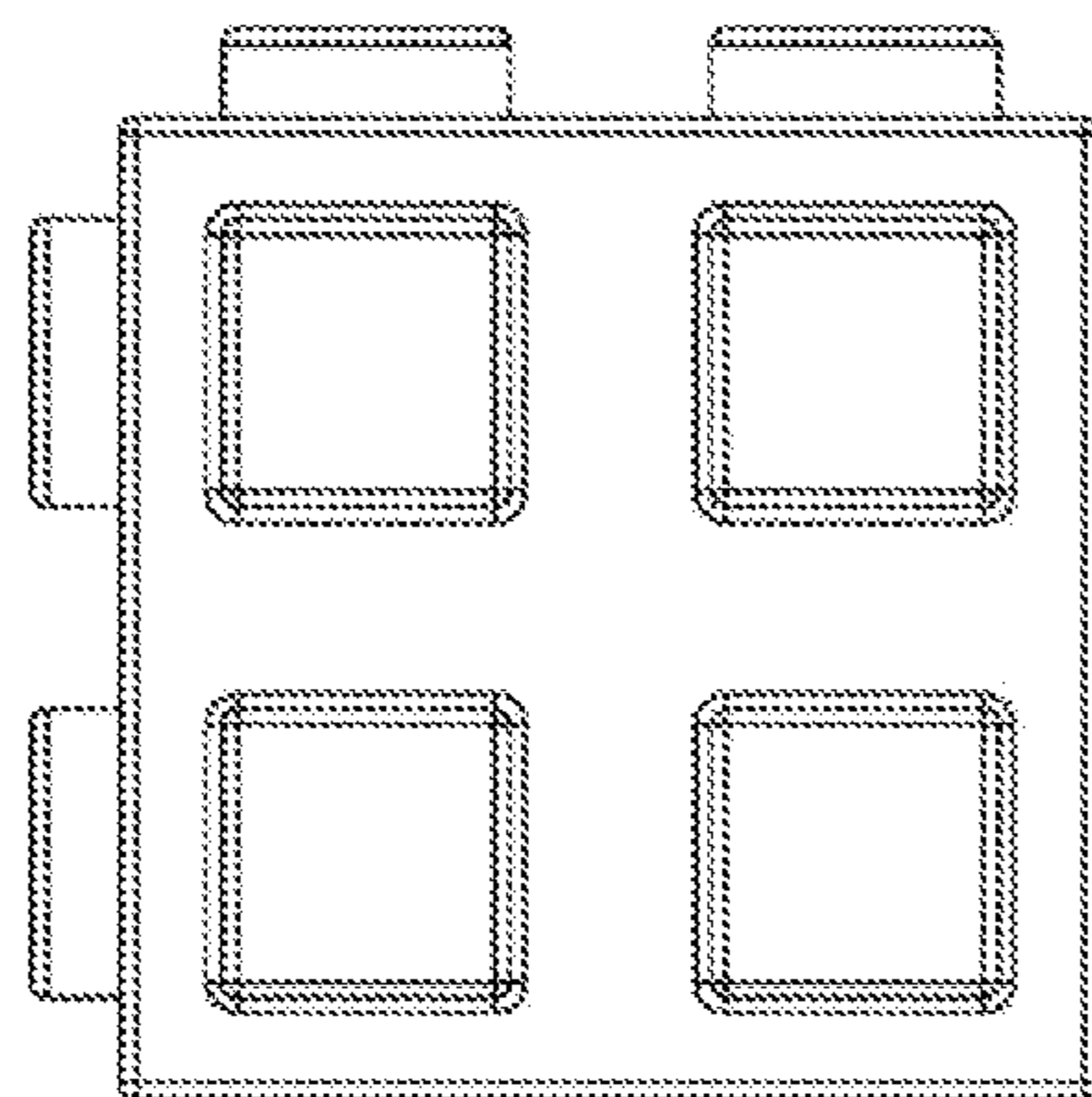


FIG. 20