



US00D702773S

(12) **United States Design Patent**
Andersen

(10) **Patent No.:** **US D702,773 S**
(45) **Date of Patent:** **** Apr. 15, 2014**

(54) **BUILDING BLOCK FROM A TOY BUILDING SET**

(56) **References Cited**

U.S. PATENT DOCUMENTS

(71) Applicant: **Lego A/S**, Billund (DK)
(72) Inventor: **Henrik Andersen**, Vorbasse (DK)
(73) Assignee: **Lego A/S**, Billund (DK)
(**) Term: **14 Years**

D285,101 S *	8/1986	Nakata	D21/495
D289,781 S *	5/1987	Dideriksen	D21/442
D290,031 S *	5/1987	Dideriksen	D21/448
D303,686 S *	9/1989	Tapdrup	D21/450
D304,211 S *	10/1989	Tapdrup	D21/453
D328,928 S *	8/1992	Jarnros	D21/504
D331,432 S *	12/1992	Jarnros	D21/495
D354,529 S *	1/1995	Skov	D21/504
D409,260 S *	5/1999	Toft	D21/505
D587,765 S *	3/2009	Dawes	D21/495

(21) Appl. No.: **29/454,989**

* cited by examiner

(22) Filed: **May 16, 2013**

Primary Examiner — Cynthia M Chin

(74) *Attorney, Agent, or Firm* — Day Pitney LLP

(30) **Foreign Application Priority Data**

(57) **CLAIM**

The ornamental design for a building block from a toy building set, as shown and described.

Nov. 16, 2012 (EM) 002137190

DESCRIPTION

(51) **LOC (10) Cl.** **21-01**

FIG. 1 is a top plan view of my ornamental design for a building block from a toy building set;
FIG. 2 is a bottom view thereof;
FIG. 3 is a left side view thereof;
FIG. 4 is a rear side view thereof;
FIG. 5 is a right side view thereof;
FIG. 6 is a front side view thereof; and,
FIG. 7 is a top, front perspective view thereof.
The broken lines in each of the figures are for environmental purposes only and form no part of the claimed design.

(52) **U.S. Cl.**

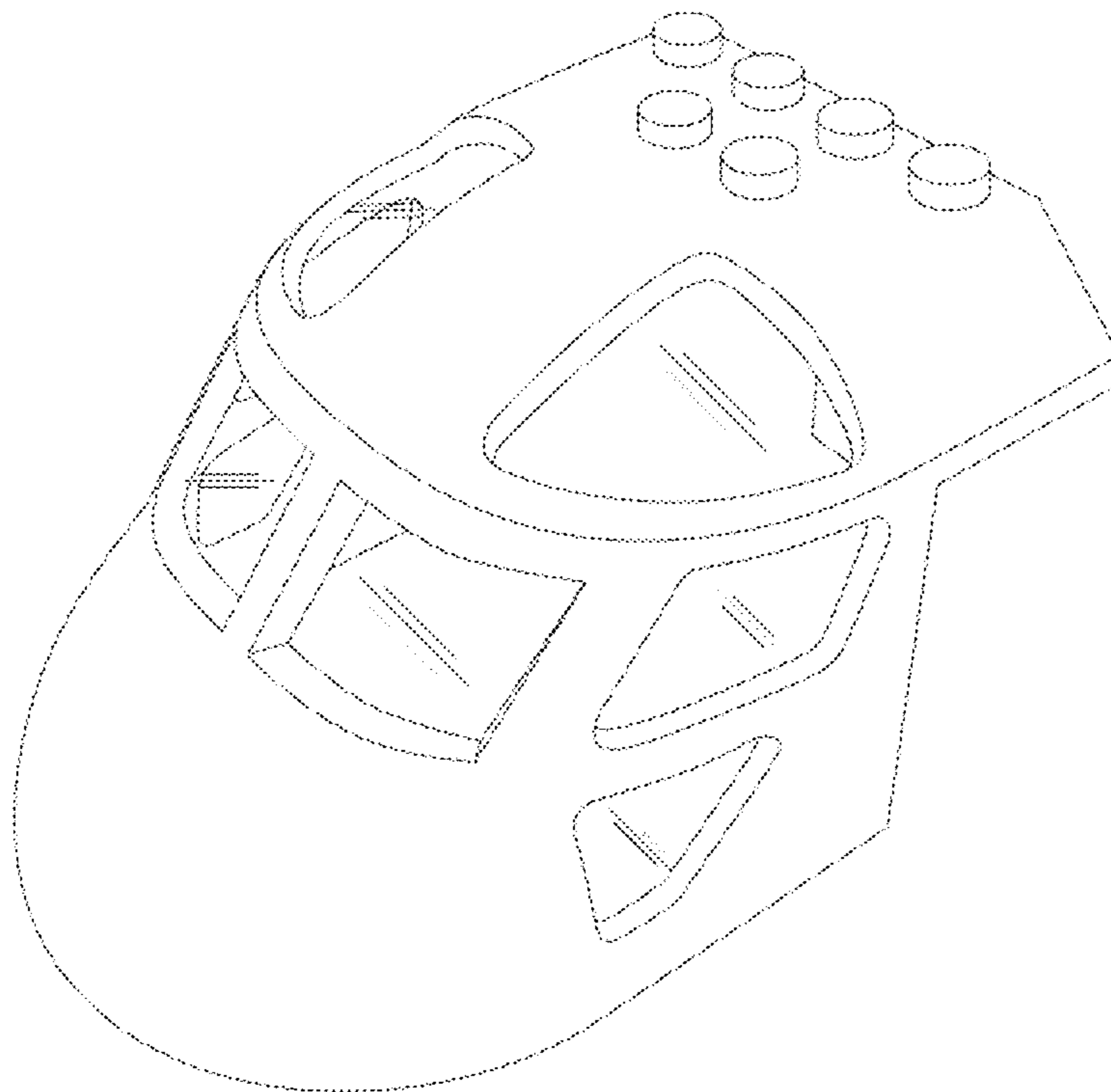
USPC **D21/495**

(58) **Field of Classification Search**

USPC D21/450, 453, 484, 489, 490, 492, 493,
D21/495, 504, 505; 446/168–174, 84, 89,
446/108, 112, 114, 116, 124–128, 429,
446/444–447; 463/58–69; 104/60, 69

See application file for complete search history.

1 Claim, 7 Drawing Sheets



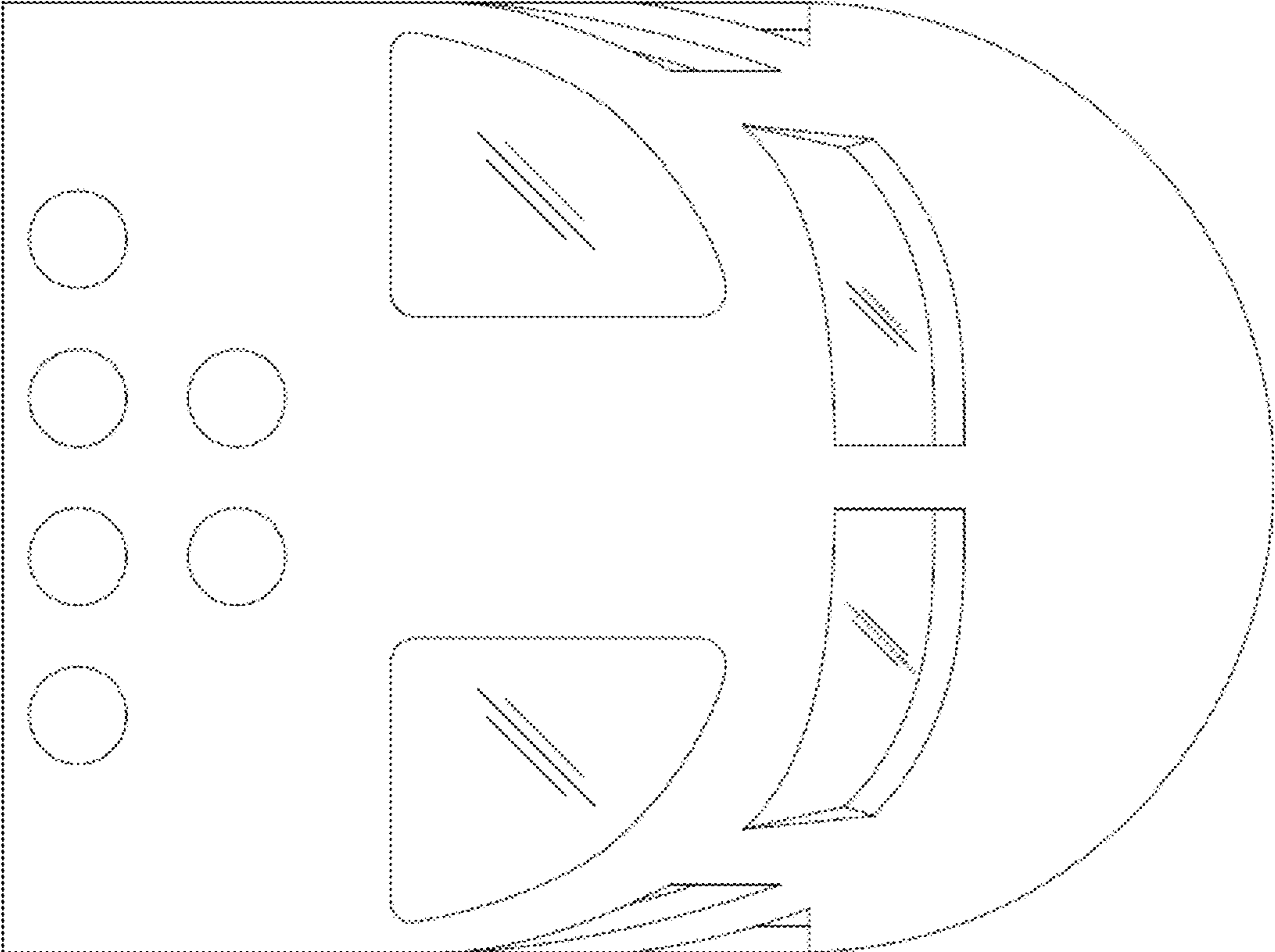


FIG. 1

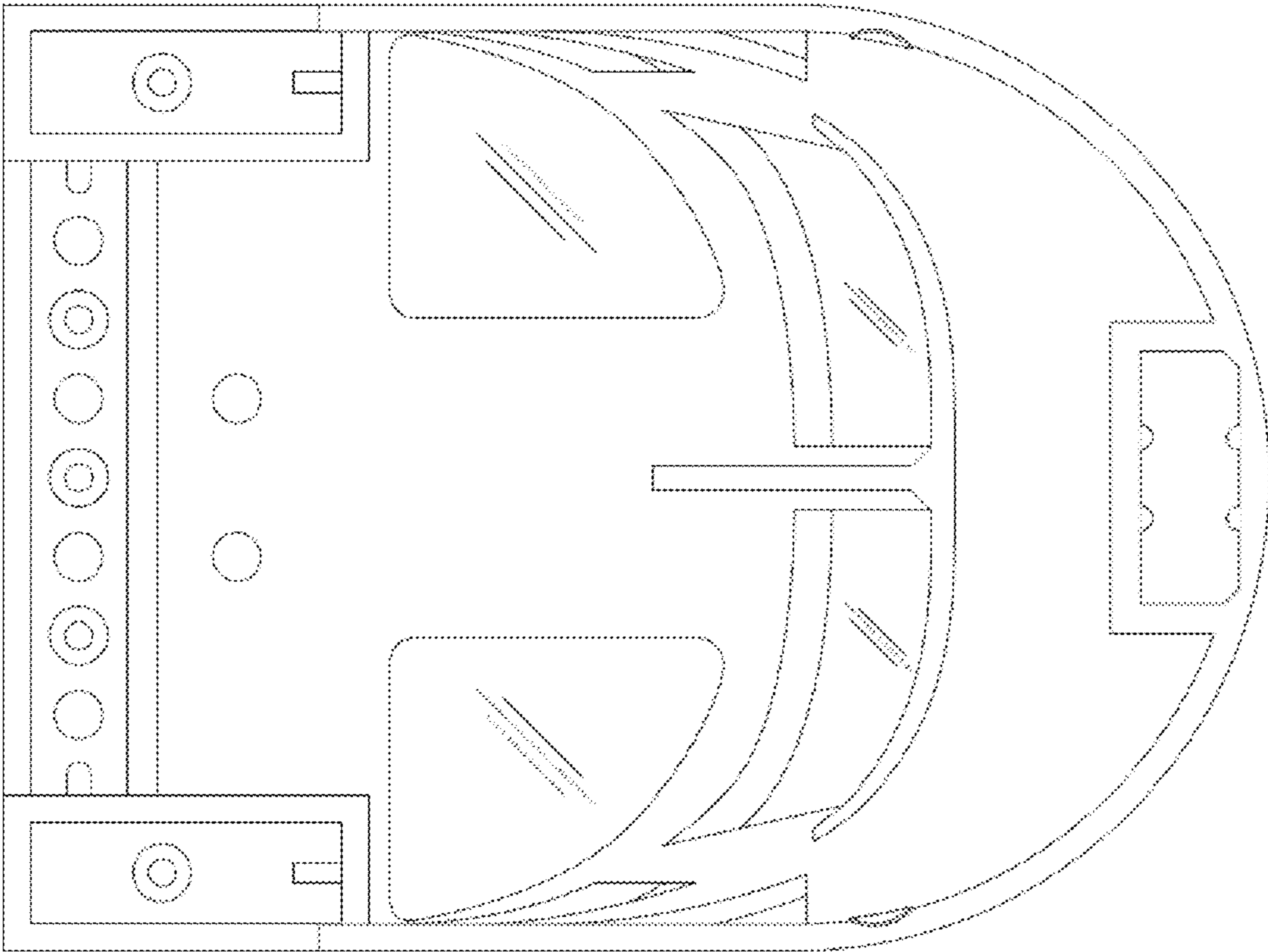


FIG. 2

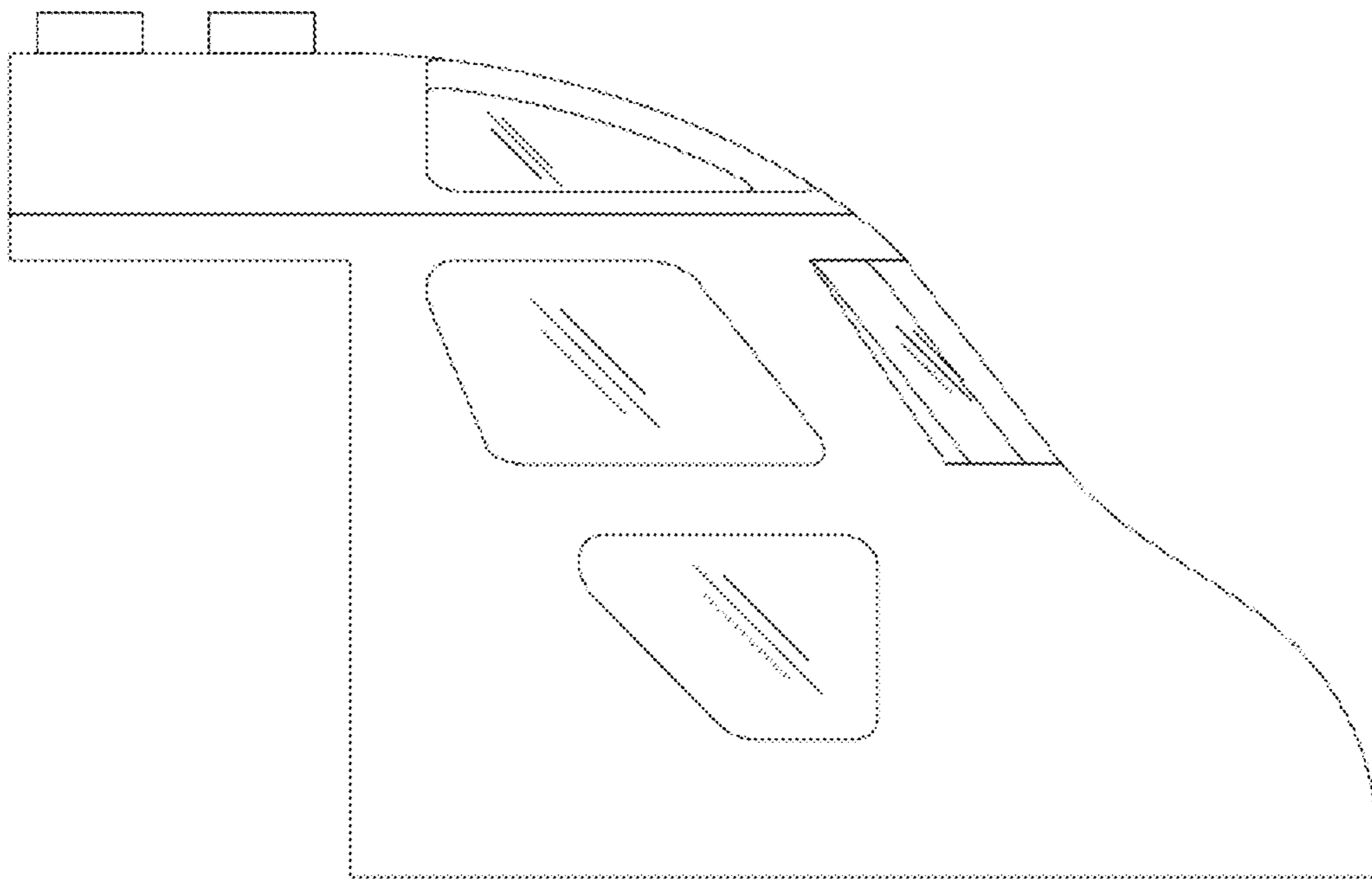


FIG. 3

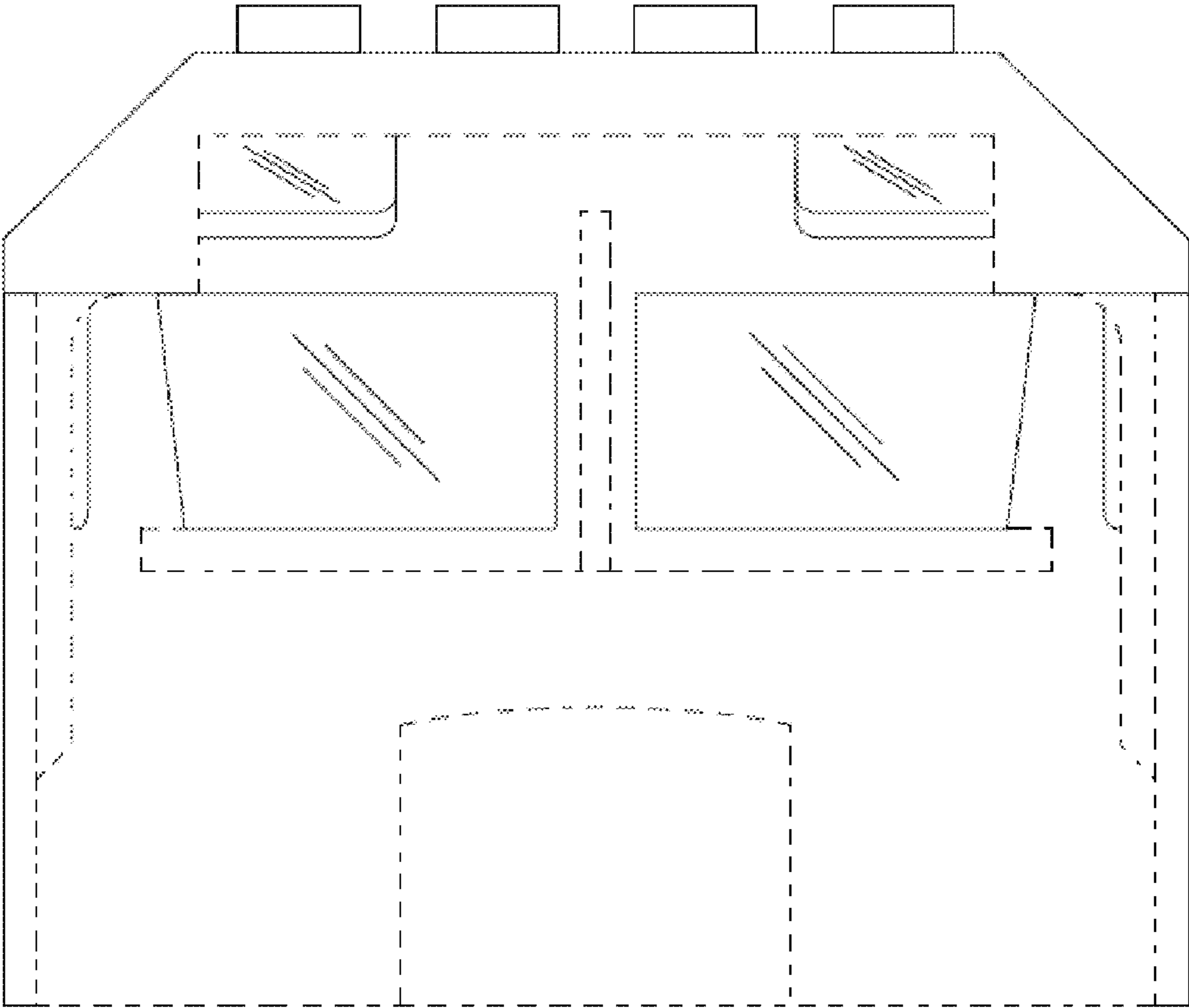


FIG. 4

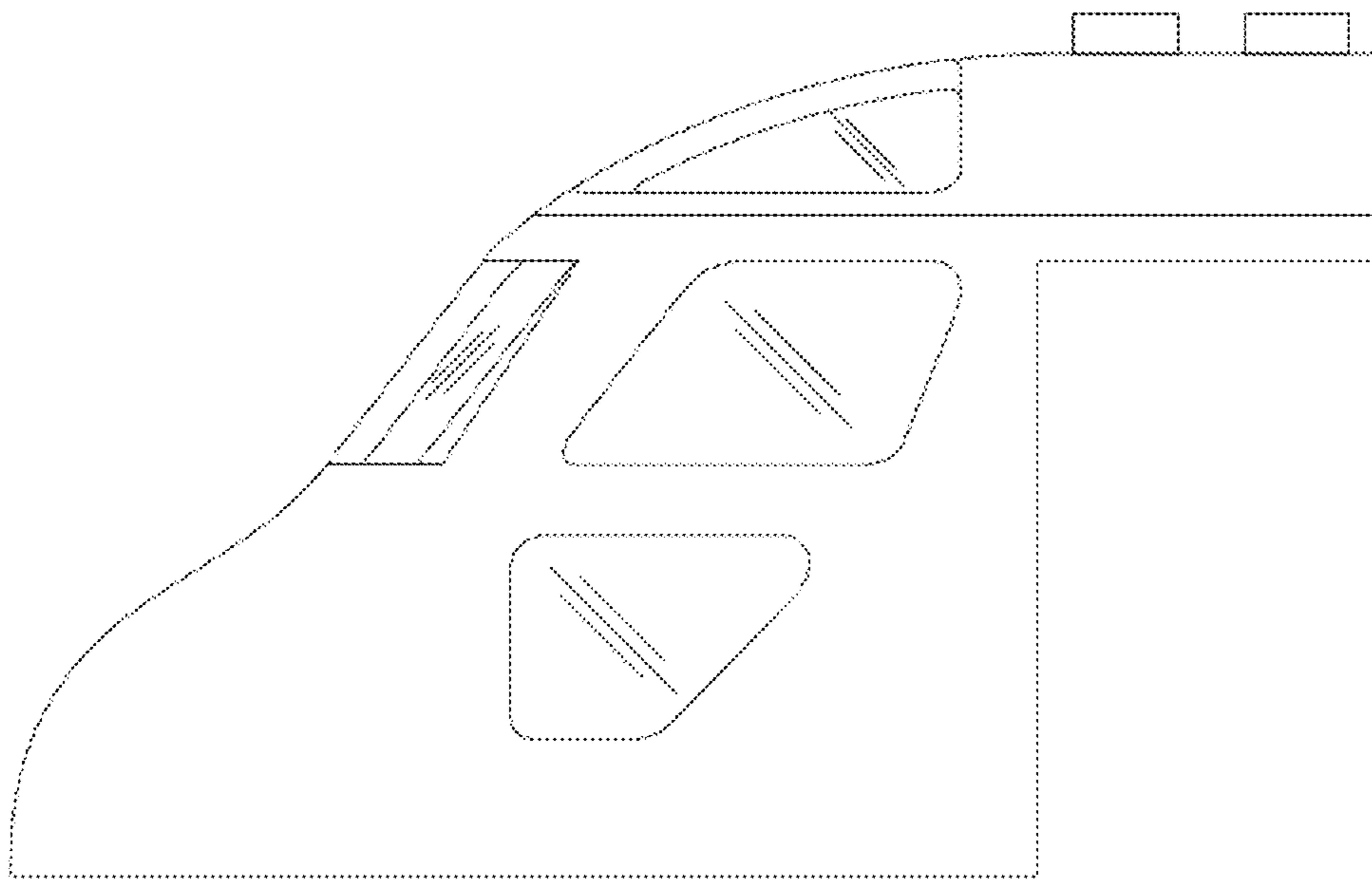


FIG. 5

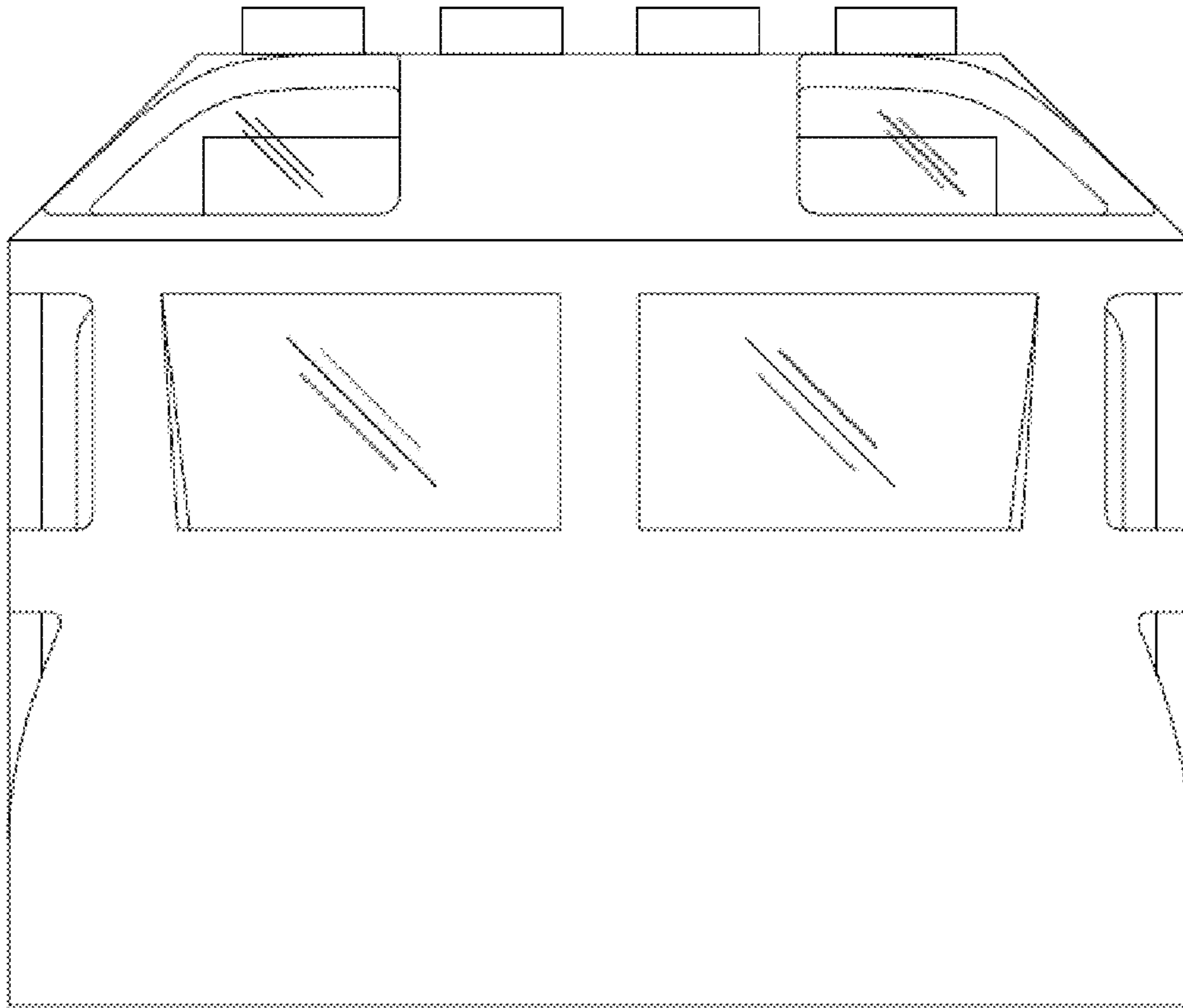


FIG. 6

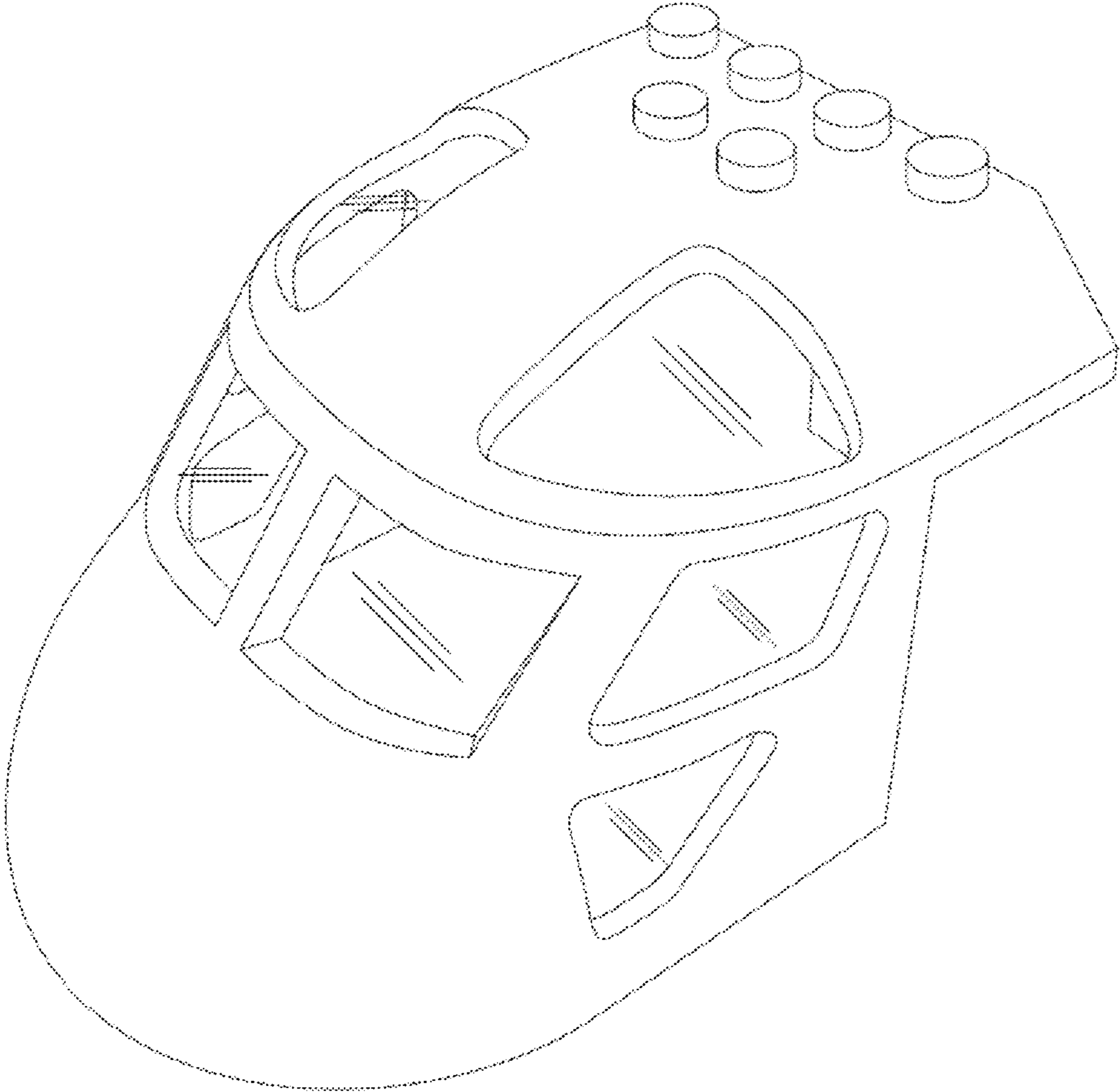


FIG. 7